

Łożyska samonastawne
w szczelnych obudowach

2024



CONST**R****UKTOR**






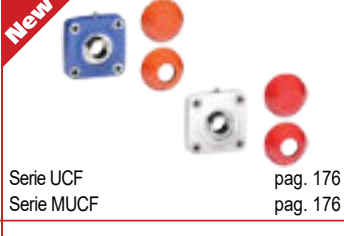
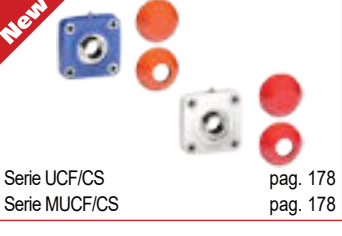



www.construktor.com





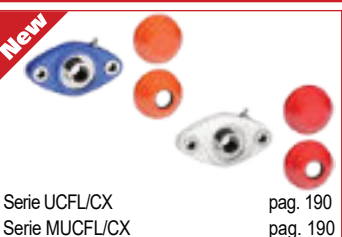



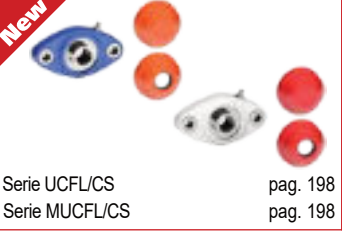



Self-aligning bearing supports

Serie	Pag.	Serie	Pag.	Serie	Pag.	Serie	Pag.	Serie	Pag.	Serie	Pag.
F	184	MUCFL/C	186	UCFB/CX	210	UCF/CX	170	UCFL/CS	198	UCPA/CX	226
FL	204	MUCFL/CS	198	UCF/C	166	UCF/CX	172	UCFL/CX	190	UCP/C	214
MUCF	176	MUCFL/CX	190	UCF/C	168	UCF/CX	174	UCFL/CX	192	UCP/C	216
MUCF/C	166	MUCFL/CX	192	UCFC	240	UCF/CXA	182	UCFL/CX	194	UCP/CX	218
MUCF/CS	178	UCF	176	UCF/CA	180	UCFL	196	UCFL/CXA	202	UCP/CX	220
MUCF/CX	170	UCFB	212	UCFC/C	236	UCFL/C	186	UCP	222	UCT	234
MUCF/CX	172	UCFB/C	206	UCFC/CX	238	UCFL/C	188	UCPA	228	UCT/C	230
MUCFL	196	UCFB/CX	208	UCF/CS	178	UCFL/CA	200	UCPA/C	224	UCT/CX	232

Square flanged bearing supports

 <p>Serie UCF/C pag. 166 Serie MUCF/C pag. 166</p>	 <p>Serie UCF/C pag. 168</p>	 <p>Serie UCF/CX pag. 170 Serie MUCF/CX pag. 170</p>	 <p>Serie UCF/CX pag. 172 Serie MUCF/CX pag. 172</p>
 <p>Serie UCF/CX pag. 174</p>	 <p>Serie UCF pag. 176 Serie MUCF pag. 176</p>	 <p>Serie UCF/CS pag. 178 Serie MUCF/CS pag. 178</p>	 <p>Serie UCF/CA pag. 180</p>
 <p>Serie UCF/CXA pag. 182</p>	 <p>Serie F pag. 184</p>		

Oval flanged bearing supports

 <p>Serie UCFL/C pag. 186 Serie MUCFL/C pag. 186</p>	 <p>Serie UCFL/C pag. 188</p>	 <p>Serie UCFL/CX pag. 190 Serie MUCFL/CX pag. 190</p>	 <p>Serie UCFL/CX pag. 192 Serie MUCFL/CX pag. 192</p>
 <p>Serie UCFL/CX pag. 194</p>	 <p>Serie UCFL pag. 196 Serie MUCFL pag. 196</p>	 <p>Serie UCFL/CS pag. 198 Serie MUCFL/CS pag. 198</p>	 <p>Serie UCFL/CA pag. 200</p>
 <p>Serie FL pag. 204</p>	 <p>Serie FL pag. 204</p>		




Side flanged bearing supports

<p>New</p>  <p>Serie UCFB/C pag. 206</p>	<p>New</p>  <p>Serie UCFB/CX pag. 208</p>	<p>New</p>  <p>Serie UCFB/CX pag. 210</p>
<p>New</p>  <p>Serie UCFB pag. 212</p>		




Pillow Blocks

<p>New</p>  <p>Serie UCP/C pag. 214</p>	<p>New</p>  <p>Serie UCP/C pag. 216</p>	<p>New</p>  <p>Serie UCP/CX pag. 218</p>
<p>New</p>  <p>Serie UCP/CX pag. 220</p>	<p>New</p>  <p>Serie UCP pag. 222</p>	

Compact Pillow Blocks

<p>New</p>  <p>Serie UCPA/C pag. 224</p>	<p>New</p>  <p>Serie UCPA/CX pag. 226</p>	<p>New</p>  <p>Serie UCPA pag. 228</p>
------------------------------------------------------------------------------------------------------------------------------------	-------------------------------------------------------------------------------------------------------------------------------------	------------------------------------------------------------------------------------------------------------------------------------

Take-up bearing supports

<p>New</p>  <p>Serie UCT/C pag. 230</p>	<p>New</p>  <p>Serie UCT/CX pag. 232</p>	<p>New</p>  <p>Serie UCT pag. 234</p>
-----------------------------------------------------------------------------------------------------------------------------------	------------------------------------------------------------------------------------------------------------------------------------	-----------------------------------------------------------------------------------------------------------------------------------

Round flanged bearing supports

<p>New</p>  <p>Serie UCFC/C pag. 236</p>	<p>New</p>  <p>Serie UCFC/CX pag. 238</p>	<p>New</p>  <p>Serie UCFC pag. 240</p>
------------------------------------------------------------------------------------------------------------------------------------	-------------------------------------------------------------------------------------------------------------------------------------	------------------------------------------------------------------------------------------------------------------------------------



Square flanged bearing supports

Serie **UCF/C**
Serie **MUCF/C**



 On request covers in polypropylene blue Ral 5015 colour.

 On request covers in polypropylene orange Ral 2004 colour.

 On request covers in polypropylene red Ral 3000 colour.



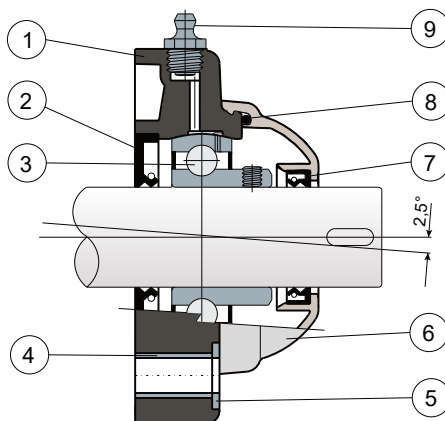
Self-aligning bearings with Solid body: completely closed surface to guarantee the max hygiene.



Long Life bearings: life long lubrication.



Full protection of bearing



- 1) Housing made out of black or white colour polyamide reinforced with glass fibers.
- 2) Back gasket made out of NBR rubber for turning shaft seal.
- 3) Chrome steel or stainless steel bearing AISI 440.
- 4) Spacer for fixing reinforcement made out of stainless steel AISI 304.
- 5) UNI 6592 support washer made out of stainless steel AISI 304.
- 6) Protection cover made out of polypropylene (grey colour Ral 7042).
- 7) Front gasket made out of NBR rubber for turning shaft seal.
- 8) OR gasket made out of NBR rubber.
- 9) Greaser, straight type with 1/8 gas thread, made out of nickel-plated brass (absent in the versions with Long Life bearing).

N.B.: In the Long Life version, the greaser is absent and the lubrication channel is protected by a rubber cap.

Support dimensions respect ISO 3228 set of rules Maximum shaft alignment error 2,5°
For further information please contact our technical office or sales department.

MATERIALS: Housing is made out of PA + glass fiber in black or white colours; chrome steel or stainless steel bearing; greaser made out of nickel plated brass; reinforcement bushings and washers made out of stainless steel AISI 304; gaskets made out of NBR rubber; cover made out of grey RAL 7042 colour polypropylene.
FEATURES: Full protection of bearing against external agents. Assembly with not shouldered shafts. Maximum shaft alignment error 2.5°. BOX
QUANTITY: 8 pieces.

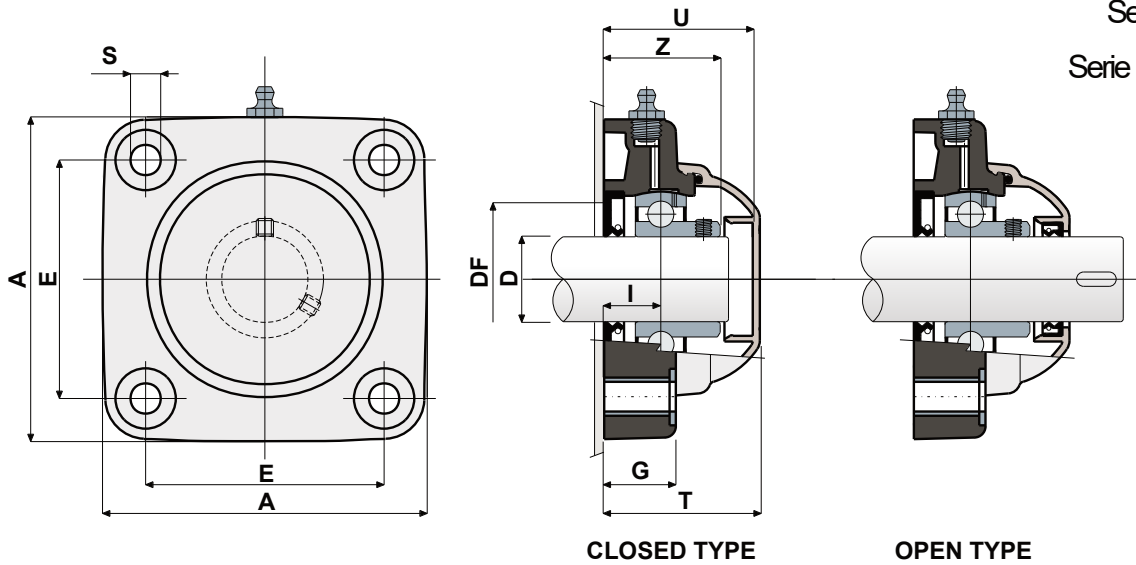
ON REQUEST: Versions with body in polypropylene + glass fiber and antibacterial additive; supports with eccentric collar shaft locking with chrome steel bearing; protection covers in different colours and with customized brand; box quantity according to your request; Viton gaskets.



Square flanged bearing supports

Technical data

Serie **UCF/C**
Serie **MUCF/C**



CHROME STEEL BEARING																						
D	SERIE	CODES								DIMENSIONS (mm)										Bearing load (N)		Bearingsupportload (N)
		Standard bearing				Long Life bearing				E	A	S	G	I	Z	U	T	DF		C	C0	
		Black		White		Black		White										Max	Min			
		Closed	Open	Closed	Open	Closed	Open	Closed	Open													
20	UCF204C	80248	80249	84580	84581	82405	87055	89345	89346	63,5	90	10,5	19	15,5	33,5	44	46,5	45	40	12800	6600	16500
25	UCF205C	80057	80060	84582	84583	80304	83613	89347	89348	70	99,5	10,5	22	17,4	37	47	49,5	50	45	14000	7800	17000
30	UCF206C	80009	80005	84584	84585	80724	83611	89349	89350	83	113	10,5	26	20,7	41	52,5	55	60	50	19500	11300	17500
30	MUCF206C	84038	84039	84586	84587	87114	87115	89351	89352	83	113	10,5	26	20,7	41	65	68	60	50	19500	11300	17500
35	UCF207C	80058	80061	84588	84589	82991	82993	89353	89354	92	122	10,5	26	20	45	57	59	70	55	25500	15300	18000
35	MUCF207C	82549	82392	84590	84591	87116	87117	89355	89356	83	113	10,5	26	20	45	65	68	70	55	25500	15300	18000
40	UCF208C	80250	80251	84592	84593	87458	87457	89357	89358	102	133	10,5	26	19,5	48,5	65	68	78	65	32500	19800	18000
40	MUCF208C	80697	80699	84594	84595	87572	87573	89359	89360	83	113	10,5	26	19,5	48,5	65	68	78	65	32500	19800	18000

STAINLESS STEEL BEARING AISI 440																						
D	SERIE	CODES								DIMENSIONS (mm)										Bearing load (N)		Bearingsupportload (N)
		Standard bearing				Long Life bearing				E	A	S	G	I	Z	U	T	DF		C	C0	
		Black		White		Black		White										Max	Min			
		Closed	Open	Closed	Open	Closed	Open	Closed	Open													
20	UCF204C	80400	80448	84596	84597	86796	89361	89369	89370	63,5	90	10,5	19	15,5	33,5	44	46,5	45	40	8300	6600	16500
25	UCF205C	80445	80449	84598	84599	89362	86097	89371	89372	70	99,5	10,5	22	17,4	37	47	49,5	50	45	9150	7800	17000
30	UCF206C	80378	80377	84600	84601	85524	85523	89373	89374	83	113	10,5	26	20,7	41	52,5	55	60	50	12500	11200	17500
30	MUCF206C	84040	84041	84602	84603	89363	89364	89375	89376	83	113	10,5	26	20,7	41	65	68	60	50	12500	11200	17500
35	UCF207C	80446	80450	84604	84605	85529	85530	89377	89378	92	122	10,5	26	20	45	57	59	70	55	16600	15300	18000
35	MUCF207C	83467	83466	84606	84607	89365	89366	89379	89380	83	113	10,5	26	20	45	65	68	70	55	16600	15300	18000
40	UCF208C	80447	80451	84608	84609	86100	86102	89381	89382	102	133	10,5	26	19,5	48,5	65	68	78	65	20000	19000	18000
40	MUCF208C	81057	81058	84610	84611	89367	89368	89383	89384	83	113	10,5	26	19,5	48,5	65	68	78	65	20000	19000	18000

VERSIONS WITH MEASURES IN INCHES

CHROME STEEL BEARING																							
D	SERIE	CODES								DIMENSIONS (mm)										Bearing load (N)		Bearingsupportload (N)	
		Standard bearing				Long Life bearing				E	A	S	G	I	Z	U	T	DF		C	C0		
		Black		White		Black		White										Max	Min				
		Closed	Open	Closed	Open	Closed	Open	Closed	Open														
1"	25,4	UCF205C	84500	84490	84875	84876	89385	89386	89391	89392	70	99,5	10,5	22	17,4	37	47	49,5	50	45	14000	7800	17000
1 1/4"	31,75	UCF206C	84501	84491	84877	84878	89387	89388	89393	89394	83	113	10,5	26	20,7	41	52,5	55	60	50	19500	11300	17500
1 1/4"	31,75	MUCF206C	84502	84492	85180	85181	89389	89390	89395	89396	83	113	10,5	26	20,7	41	65	68	60	50	19500	11300	17500

Inch dimensions conform to the British Imperial system



Square flanged bearing supports (S Solid)

Serie **UCF/C**



On request covers in polypropylene blue Ral 5015 colour.



On request covers in polypropylene grey Ral 7042 colour.



On request covers in polypropylene red Ral 3000 colour.



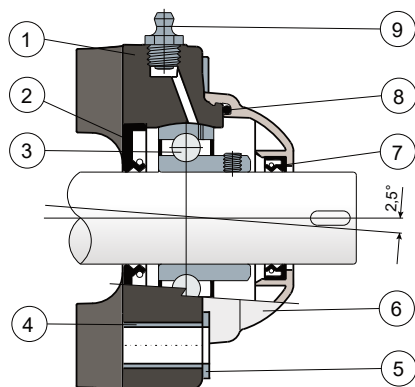
Self-aligning bearings with Solid body: completely closed surface to guarantee the max hygiene.



Long Life bearings: life long lubrication.



Full protection of bearing



- 1) Housing made out of blue Ral 5005 colour polyamide reinforced with glass fibers.
- 2) Back gasket made out of NBR rubber for turning shaft seal.
- 3) Chrome steel or stainless steel bearing AISI 440.
- 4) Spacer for fixing reinforcement made out of stainless steel AISI 304.
- 5) UNI 6592 support washer made out of stainless steel AISI 304.
- 6) Protection cover made out of polypropylene (orange Ral 2004 colour).
- 7) Front gasket made out of NBR rubber for turning shaft seal.
- 8) OR gasket made out of NBR rubber
- 9) Greaser, straight type with 1/8 gas thread, made out of stainless steel AISI 303 (absent in the versions with Long Life bearing).

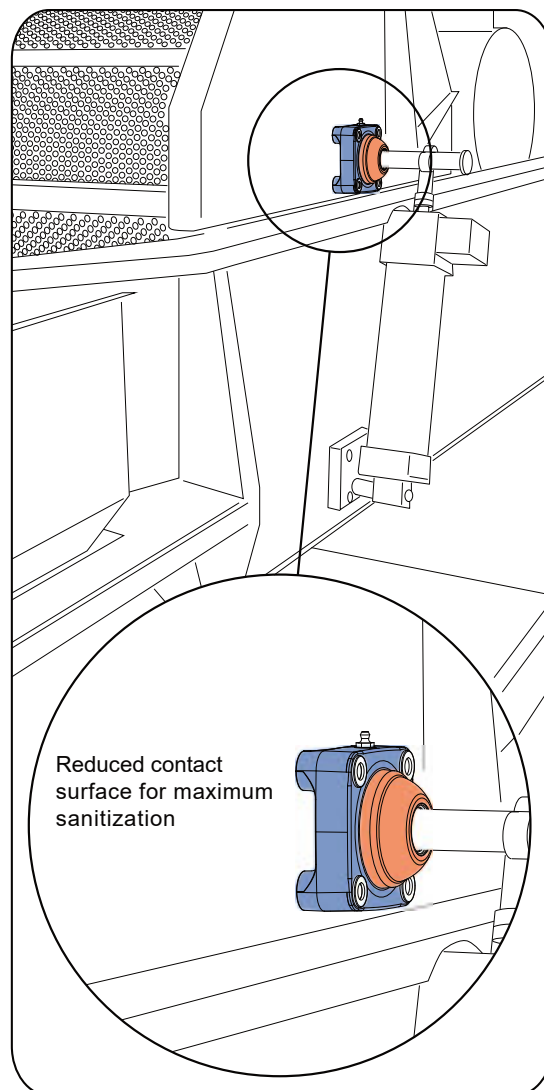
N.B.: In the Long Life version, the greaser is absent and the lubrication channel is protected by a rubber cap.

Support dimensions respect ISO 3228 set of rules Maximum shaft alignment error 2,5°
For further information please contact our technical office or sales department.

MATERIALS: Support made out of blue Ral 5005 colour PA + glass fiber; chrome steel or stainless steel bearing; greaser made out of stainless steel; reinforcement bushings and washers made out of stainless steel AISI 304; gaskets made out of NBR rubber; cover made out of orange Ral 2004 colour polypropylene. **FEATURES:** Full protection of bearing against external agents. Assembly with not shouldered shafts. The reduced contact surface of the base of the support allows maximum sanification. Maximum shaft alignment error 2.5°. **BOX QUANTITY:** 8 pieces.

ON REQUEST: Versions with body in polypropylene + glass fiber and antibacterial additive; supports with eccentric collar shaft locking with chrome steel bearing; protection covers in different colours and with customized brand; box quantity according to your request; Viton gaskets.

Example of application



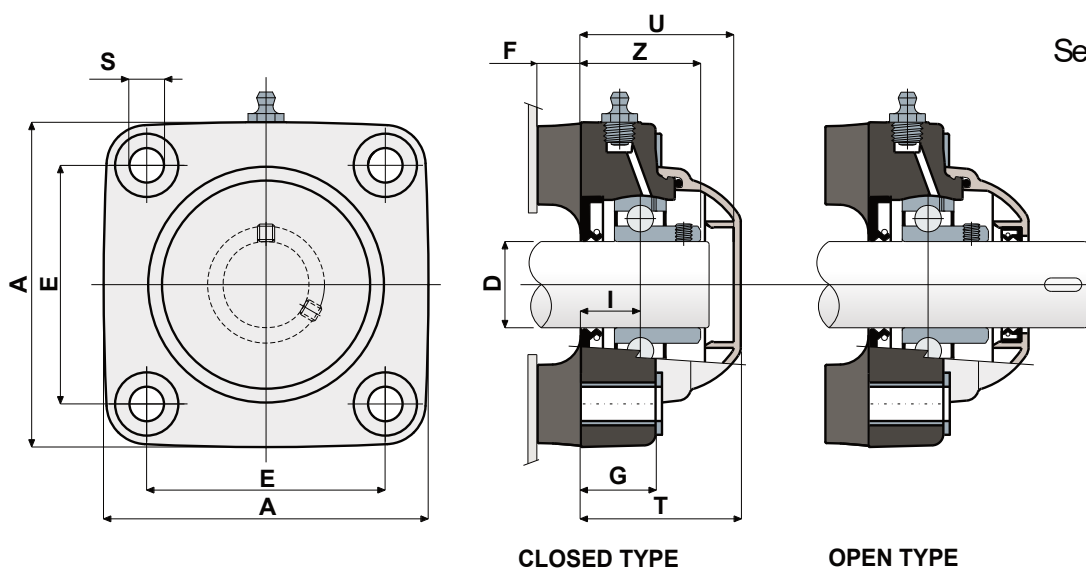
Reduced contact surface for maximum sanitization







Square flanged bearing supports (Solid)

Technical data

Serie **UCF/C**



CHROME STEEL BEARING																	
D	SERIE	CODES				DIMENSIONS(mm)								Bearing load (N)		Bearing support load	
		Standard bearing		Long Life bearing		E	A	S	F	G	I	Z	U	T	C	C0	(N)
		Blue Ral 5005															
		Closed	Open	Closed	Open												
25	UCF205 C 	88684	88685	89397	89398	70	99,5	10,5	15	22	17,4	37	47	49,5	14000	7800	17000
30	UCF206 C 	88688	88689	89399	89400	83	113	10,5	15	26	20	42	53,2	55,7	19500	11300	17500

STAINLESS STEEL BEARING AISI 440																	
D	SERIE	CODES				DIMENSIONS(mm)								Bearing load (N)		Bearing support load	
		Standard bearing		Long Life bearing		E	A	S	F	G	I	Z	U	T	C	C0	(N)
		Blue Ral 5005															
		Closed	Open	Closed	Open												
25	UCF205 C 	88686	88687	89401	89402	70	99,5	10,5	15	22	17,4	37	47	49,5	9150	7800	17000
30	UCF206 C 	88690	88691	89403	89404	83	113	10,5	15	26	20	42	53,2	55,7	12500	11200	17500



Square flanged bearing supports

Serie **UCF/CX**
Serie **MUCF/CX**



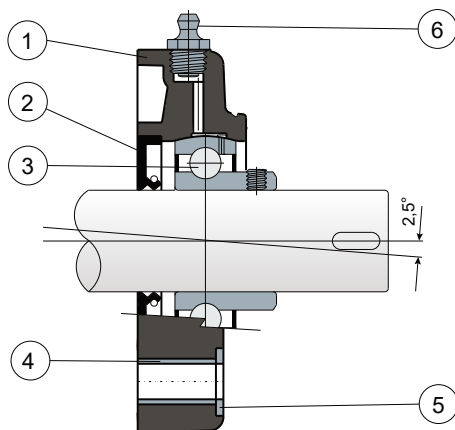
Self-aligning bearings with Solid body: completely closed surface to guarantee the max hygiene.



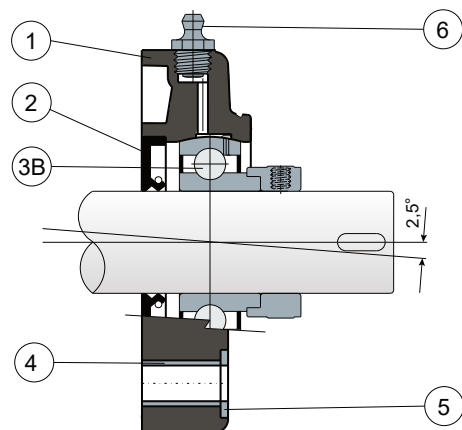
Long Life bearings: life long lubrication.



Grub screws shaft locking - Without protection cover



Eccentric collar shaft locking - Without protection cover



- 1) Housing made out of black, white or blue Ral 5005 colour polyamide reinforced with glass fibers.
- 2) Back gasket made out of NBR rubber for turning shaft seal.
- 3) Chrome steel or stainless steel bearing AISI 440. 3B) Chrome steel bearing.
- 4) Spacer for fixing reinforcement made out of stainless steel AISI 304.
- 5) UNI 6592 support washer made out of stainless steel AISI 304.
- 6) Greaser, straight type with 1/8 gas thread, made out of nickel-plated brass (absent in the versions with Long Life bearing).

NOTE: The protection cover can be ordered separately as an accessory; in the Long Life version, the greaser is absent and the lubrication channel is protected by a rubber cap.

Support dimensions respect ISO 3228 set of rules. Maximum shaft alignment error 2,5° For further information please contact our technical office or sales department.

MATERIALS: Housing is made out of PA + glass fiber in black, white or blue Ral 5005 colours; bearing with grub screws shaft locking in chrome steel or stainless steel; bearing with eccentric collar shaft locking in chrome steel; greaser made out of nickel plated brass; reinforcement bushings and washers made out of stainless steel AISI 304; gaskets made out of NBR rubber; cover made out of polypropylene grey Ral 7042, blue Ral 5015, orange Ral 2004 or red Ral 3000 colour.

FEATURES: The protection cover can be ordered separately as an accessory. Assembly with not shouldered shafts. Maximum shaft alignment error 2.5°. BOX QUANTITY: 8 pieces.

ON REQUEST: Versions with body in polypropylene + glass fiber and antibacterial additive; protection covers in different colours and with customized brand; box quantity according to your request; Viton gaskets.

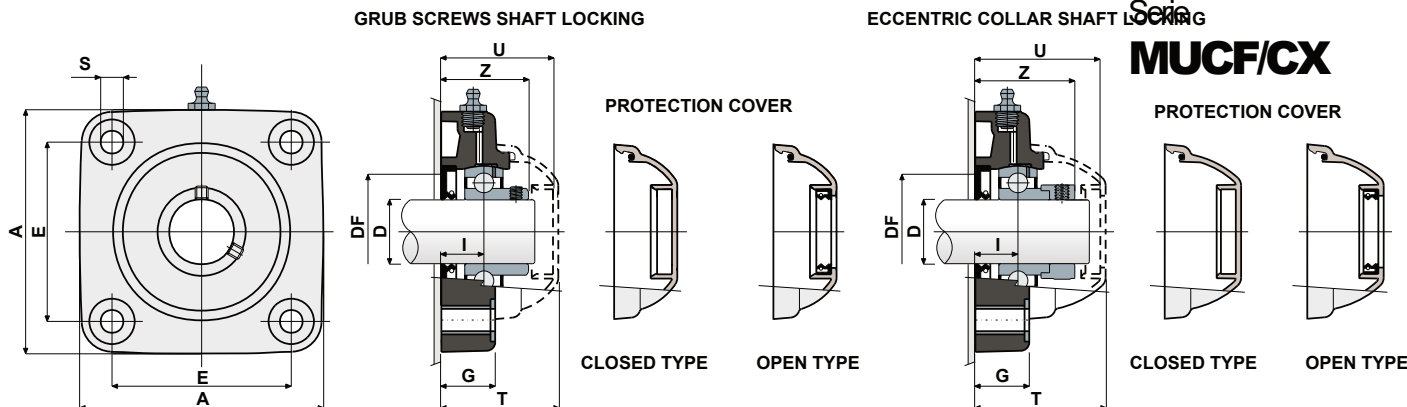


Square flanged bearing supports

Technical data

Serie
UCF/CX

Serie
MUCF/CX



GRUB SCREWS SHAFT LOCKING

D	SERIE	CHROME STEEL BEARING																COVERCODES											
		Support CODES						DIMENSIONS(mm)										Bearing load (N)		Bearingsupportload		GREY RAL7042		BLUERAL5015		ORANGERAL2004		RED RAL3000	
		Standard bearing			Long Life bearing			E	A	S	G	I	Z	U	T	DF	C	C0	(N)	Closed	Open	Closed	Open	Closed	Open	Closed	Open		
		Black	White	Blue Ra150/6	Black	White	Blue Ra150/6																					Max	Min
20	UCF204 CX	80252	84612	87440	88081	89406	89414	63,5	90	10,5	19	15,5	33,5	44	46,5	45	40	12800	6600	16500	80254	80255	87259	83901	82305	82306	87540	87541	
25	UCF205 CX	80175	84613	87436	88632	89407	89415	70	99,5	10,5	22	17,4	37	47	49,5	50	45	14000	7800	17000	80075	80076	85384	85385	82276	82277	87542	87543	
30	UCF206 CX	80176	84614	87437	88276	89408	89416	83	113	10,5	26	20,7	41	52,5	55	60	50	19500	11300	17500	80011	80053	84100	80354	82278	82279	87531	87530	
30	MUCF206 CX	80789	84615	87673	87150	89409	89417	83	113	10,5	26	20,7	41	65	68	60	50	19500	11300	17500	80256	80494	83088	87271	82280	87555	87528	87569	
35	UCF207 CX	80177	84616	87438	89117	89410	89418	92	122	10,5	26	20	45	57	59	70	55	25500	15300	18000	80077	80078	80969	80275	82284	82285	87544	87545	
35	MUCF207 CX	83462	84617	87674	89405	89411	89419	83	113	10,5	26	20	45	65	68	70	55	25500	15300	18000	80256	80495	83088	87277	82280	87557	87528	87529	
40	UCF208 CX	80253	84618	87439	88698	89412	89420	102	133	10,5	26	19,5	48,5	65	68	78	65	32500	19800	18000	80256	80257	83088	86722	82280	82281	87528	82804	
40	MUCF208 CX	80701	84619	87675	86169	89413	89421	83	113	10,5	26	19,5	48,5	65	68	78	65	32500	19800	18000	80256	80257	83088	86722	82280	82281	87528	82804	

ECCENTRIC COLLAR SHAFT LOCKING

D	SERIE	CHROME STEEL BEARING																COVERCODES										
		Support CODES						DIMENSIONS(mm)										Bearing load (N)		Bearingsupportload		GREY RAL7042						
		Standard bearing			Long Life bearing			E	A	S	G	I	Z	U	T	DF	C	C0	(N)	Closed	Open							
		Black	White	Blue Ra150/6	Black	White	Blue Ra150/6															Max	Min					
20	UCF204 CX	88440	88448	88456	88768	89429	89437	63,5	90	10,5	19	15,5	39	51	53,5	45	40	12800	6600	16500	88371	88372						
25	UCF205 CX	88441	88449	88457	89422	89430	89438	70	99,5	10,5	22	17,4	40,9	52,9	55,4	50	45	14000	7800	17000	88373	88374						
30	UCF206 CX	88442	88450	88458	89423	89431	89439	83	113	10,5	26	20,7	47,4	59,4	61,9	60	50	19500	11300	17500	88375	88376						
30	MUCF206 CX	88443	88451	88459	89424	89432	89440	83	113	10,5	26	20,7	47,4	65	68	60	50	19500	11300	17500	80256	80494						
35	UCF207 CX	88444	88452	88460	89425	89433	89441	92	122	10,5	26	20	49,3	61,3	63,8	70	55	25500	15300	18000	88377	88378						
35	MUCF207 CX	88445	88453	88461	89426	89434	89442	83	113	10,5	26	20	49,3	65	68	70	55	25500	15300	18000	80256	80495						
40	UCF208 CX	88446	88454	88462	89427	89435	89443	102	133	10,5	26	19,5	52,2	65	68	78	65	32500	19800	18000	80256	80257						
40	MUCF208 CX	88447	88455	88463	89428	89436	89444	83	113	10,5	26	19,5	52,2	65	68	78	65	32500	19800	18000	80256	80257						

GRUB SCREWS SHAFT LOCKING

D	SERIE	STAINLESS STEEL BEARING AISI 440																COVERCODES											
		Support CODES						DIMENSIONS(mm)										Bearing load (N)		Bearingsupportload		GREY RAL7042		BLUERAL5015		ORANGERAL2004		RED RAL3000	
		Standard bearing			Long Life bearing			E	A	S	G	I	Z	U	T	DF	C	C0	(N)	Closed	Open	Closed	Open	Closed	Open	Closed	Open		
		Black	White	Blue Ra150/6	Black	White	Blue Ra150/6																					Max	Min
20	UCF204 CX	81047	84620	87668	89445	89450	89457	63,5	90	10,5	19	15,5	33,5	44	46,5	45	40	8300	6600	16500	80254	80255	87259	83901	82305	82306	87540	87541	
25	UCF205 CX	81049	84621	87669	85021	85113	88101	70	99,5	10,5	22	17,4	37	47	49,5	50	45	9150	7800	17000	80075	80076	85384	85385	82276	82277	87542	87543	
30	UCF206 CX	81050	84622	87670	89446	89451	88861	83	113	10,5	26	20,7	41	52,5	55	60	50	12500	11200	17500	80011	80053	84100	80354	82278	82279	87531	87530	
30	MUCF206 CX	84042	84623	87676	87155	89452	89458	83	113	10,5	26	20,7	41	65	68	60	50	12500	11200	17500	80256	80494	83088	87271	82280	87555	87528	87569	
35	UCF207 CX	81051	84624	87671	89447	89453	89459	92	122	10,5	26	20	45	57	59	70	55	16600	15300	18000	80077	80078	80969	80275	82284	82285	87544	87545	
35	MUCF207 CX	82404	84625	87677	89448	89454	89460	83	113	10,5	26	20	45	65	68	70	55	16600	15300	18000	80256	80495	83088	87277	82280	87557	87528	87529	
40	UCF208 CX	80561	84626	87672	89449	89455	89461	102	133	10,5	26	19,5	48,5	65	68	78	65	20000	19000	18000	80256	80257	83088	86722	82280	82281	87528	82804	
40	MUCF208 CX	81043	84627	87678	88121	89456	89462	83	113	10,5	26	19,5	48,5	65	68	78	65	20000	19000	18000	80256	80257	83088	86722	82280	82281	87528	82804	

GRUB SCREWS SHAFT LOCKING - VERSIONS WITH MEASURES IN INCHES

D	SERIE	CHROME STEEL BEARING																COVERCODES											
		Support CODES						DIMENSIONS(mm)										Bearing load (N)		Bearingsupportload		GREY RAL7042		BLUERAL5015		ORANGERAL2004		RED RAL3000	
		Standard bearing			Long Life bearing			E	A	S	G	I	Z	U	T	DF	C	C0	(N)	Closed	Open	Closed	Open	Closed	Open	Closed	Open		
		Black	White	Blue Ra150/6	Black	White	Blue Ra150/6																					Max	Min
1" 25,4	UCF205 CX	84493	84883	87679	89463	89466	89469	70	99,5	10,5	22	17,4	37	47	49,5	50	45	14000	7800	17000	80075	85202	85384	87273	82276	87660	87542	87666	
1 1/4" 31,75	UCF206 CX	84494	84884	87680	89464	89467	89470	83	113	10,5	26	20,7	41	52,5	55	60	50	19500	11300	17500	80011	85203	84100	87274	82278	87661	87531	87666	
1 1/4" 31,75	MUCF206 CX	84495	85182	87681	89465	89468	89471	83	113	10,5	26	20,7	41	65	68	60	50	19500	11300	17500	80256	85204	83088	87275	82280	87662	87528	87665	

Inch dimensions conform to the British Imperial system



Square flanged bearing supports (S Solid)

Serie **UCF/CX**
Serie **MUCF/CX**

NEW

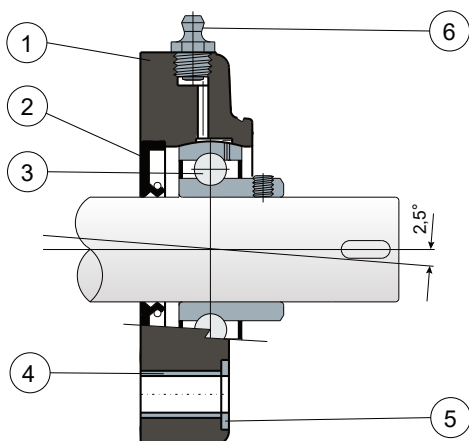


Self-aligning bearings with Solid body: completely closed surface to guarantee the max hygiene.

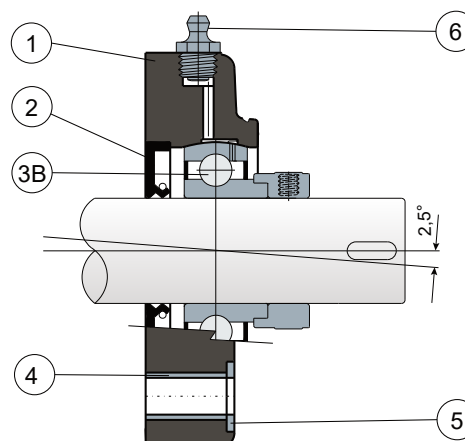


Long Life bearings: life long lubrication.

Grub screws shaft locking - Without protection cover



Eccentric collar shaft locking - Without protection cover



- 1) Housing made out of blue Ral 5005 colour polyamide reinforced with glass fibers.
- 2) Back gasket made out of NBR rubber for turning shaft seal.
- 3) Chrome steel or stainless steel bearing AISI 440. 3B) Chrome steel bearing.
- 4) Spacer for fixing reinforcement made out of stainless steel AISI 304.
- 5) UNI 6592 support washer made out of stainless steel AISI 304.
- 6) Greaser, straight type with 1/8 gas thread, made out of nickel-plated brass (absent in the versions with Long Life bearing).

NOTE: The protection cover can be ordered separately as an accessory; in the Long Life version, the greaser is absent and the lubrication channel is protected by a rubber cap.

Support dimensions respect ISO 3228 set of rules. Maximum shaft alignment error 2,5° For further information please contact our technical office or sales department.

MATERIALS: Housing is made out of PA + glass fiber in blue Ral 5005 colour; bearing with grub screws shaft locking in chrome steel or stainless steel; bearing with eccentric collar shaft locking in chrome steel; greaser made out of nickel plated brass; reinforcement bushings and washers made out of stainless steel AISI 304; gaskets made out of NBR rubber; cover made out of polypropylene grey Ral 7042, blue Ral 5015, orange Ral 2004 or red Ral 3000 colour.

FEATURES: The protection cover can be ordered separately as an accessory. This part is moulded without internal cavities in order to obtain the best sanification. Assembly with not shouldered shafts. Maximum shaft alignment error 2.5°.

BOX QUANTITY: 8 pieces.

ON REQUEST: Versions with body in polypropylene + glass fiber and antibacterial additive; housing in black colour polyamide reinforced with glass fibers; protection covers in different colours and with customized brand; box quantity according to your request; Viton gaskets; available without NBRrubber back gasket for turning shaft seal.

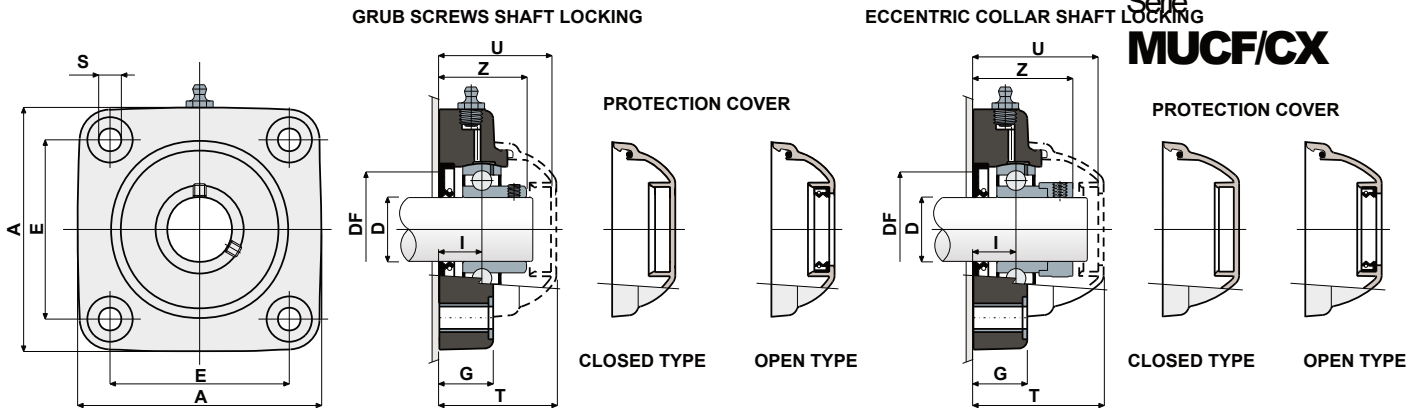


Square flanged bearing supports (Solid)

Technical data

Serie
UCF/CX

Serie
MUCF/CX



GRUB SCREWS SHAFT LOCKING

D	SERIE	CHROME STEEL BEARING													COVER CODES											
		Support CODES		DIMENSIONS (mm)											Bearing load (N)			GREY RAL 7042			BLUERAL 5015		ORANGERAL 2004		RED RAL 3000	
		Standard bearing	Long Life bearing	E	A	S	G	I	Z	U	T	DF	C	C0	(N)	Closed	Open	Closed	Open	Closed	Open	Closed	Open			
20	UCF204 CX	89167	89472	63,5	90	10,5	19	15,5	38,5	44	46,5					45	40	12800	6600	16500	80254	80255	87259	83901	82305	82306
25	UCF205 CX	89168	89473	70	99,5	10,5	22	17,4	37	47	49,5	50	45	14000	7800	17000	80075	80076	85384	85385	82276	82277	87542	87543		
30	MUCF206 CX	87673	89417	83	113	10,5	26	20,7	41	65	68	60	40	19500	11300	17500	80256	80494	83088	87271	82280	87555	87528	87569		
35	UCF207 CX	89170	89475	92	122	10,5	26	20	45	57	59	70	55	25500	15300	18000	80077	80078	80969	80275	82284	82285	87544	87545		
35	MUCF207 CX	87674	89419	83	113	10,5	26	20	45	65	68	70	55	25500	15300	18000	80256	80495	83088	87277	82280	87557	87528	87529		
40	UCF208 CX	89171	89477	102	133	10,5	26	19,5	48,5	65	68	78	65	32500	19800	18000	80256	80257	83088	86722	82280	82281	87528	82804		
40	MUCF208 CX	87675	89421	83	113	10,5	26	19,5	48,5	65	68	78	65	32500	19800	18000	80256	80257	83088	86722	82280	82281	87528	82804		

ECCENTRIC COLLAR SHAFT LOCKING

D	SERIE	CHROME STEEL BEARING													COVER CODES				
		Support CODES		DIMENSIONS (mm)											Bearing load (N)			GREY RAL 7042	
		Standard bearing	Long Life bearing	E	A	S	G	I	Z	U	T	DF	C	C0	(N)	Closed	Open		
20	UCF204 CX	89172	89479	63,5	90	10,5	19	15,5	39	51	53,5					45	40	12800	6600
25	UCF205 CX	89173	89480	70	99,5	10,5	22	17,4	40,9	52,9	55,4	50	45	14000	7800	17000	88373	88374	
30	MUCF206 CX	88459	89440	83	113	10,5	26	20,7	47,4	65	68	60	50	19500	11300	17500	80256	80494	
35	UCF207 CX	89174	89482	92	122	10,5	26	20	49,3	61,3	63,8	70	55	25500	15300	18000	88377	88378	
35	MUCF207 CX	88461	89442	83	113	10,5	26	20	49,3	65	68	70	55	25500	15300	18000	80256	80495	
40	UCF208 CX	89175	89484	102	133	10,5	26	19,5	52,2	65	68	78	65	32500	19800	18000	80256	80257	
40	MUCF208 CX	88463	89444	83	113	10,5	26	19,5	52,2	65	68	78	65	32500	19800	18000	80256	80257	

GRUB SCREWS SHAFT LOCKING

D	SERIE	STAINLESS STEEL BEARING AISI 440													COVER CODES											
		Support CODES		DIMENSIONS (mm)											Bearing load (N)			GREY RAL 7042			BLUERAL 5015		ORANGERAL 2004		RED RAL 3000	
		Standard bearing	Long Life bearing	E	A	S	G	I	Z	U	T	DF	C	C0	(N)	Closed	Open	Closed	Open	Closed	Open	Closed	Open			
20	UCF204 CX	89176	89486	63,5	90	10,5	19	15,5	38,5	44	46,5					45	40	8300	6600	16500	80254	80255	87259	83901	82305	82306
25	UCF205 CX	89177	89487	70	99,5	10,5	22	17,4	37	47	49,5	50	45	14000	7800	17000	80075	80076	85384	85385	82276	82277	87542	87543		
30	MUCF206 CX	87676	89458	83	113	10,5	26	20,7	41	65	68	60	40	12500	11200	17500	80256	80494	83088	87271	82280	87555	87528	87569		
35	UCF207 CX	89178	89489	92	122	10,5	26	20	45	57	59	70	55	16600	15300	18000	80077	80078	80969	80275	82284	82285	87544	87545		
35	MUCF207 CX	87677	89460	83	113	10,5	26	20	45	65	68	70	55	16600	15300	18000	80256	80495	83088	87277	82280	87557	87528	87529		
40	UCF208 CX	89179	89491	102	133	10,5	26	19,5	48,5	65	68	78	65	20000	19000	18000	80256	80257	83088	86722	82280	82281	87528	82804		
40	MUCF208 CX	87678	89462	83	113	10,5	26	19,5	48,5	65	68	78	65	20000	19000	18000	80256	80257	83088	86722	82280	82281	87528	82804		

GRUB SCREWS SHAFT LOCKING - VERSIONS WITH MEASURES IN INCHES

D	SERIE	CHROME STEEL BEARING													COVER CODES											
		Support CODES		DIMENSIONS (mm)											Bearing load (N)			GREY RAL 7042			BLUERAL 5015		ORANGERAL 2004		RED RAL 3000	
		Standard bearing	Long Life bearing	E	A	S	G	I	Z	U	T	DF	C	C0	(N)	Closed	Open	Closed	Open	Closed	Open	Closed	Open			
1" 25,4	UCF205 CX	89222	89493	70	99,5	10,5	22	17,4	37	47	49,5					50	45	14000	7800	17000	80075	85202	85384	87273	82276	87660
1 1/4" 31,75	MUCF206 CX	87681	89471	83	113	10,5	26	20,7	41	65	68	60	50	19500	11300	17500	80256	85204	83088	87275	82280	87662	87528	87665		

Inch dimensions conform to the British Imperial system



Square flanged bearing supports (S Solid)

Serie **UCF/CX**



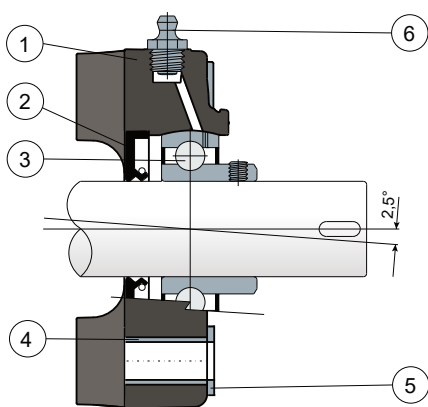
Self-aligning bearings with Solid body: completely closed surface to guarantee the max hygiene.



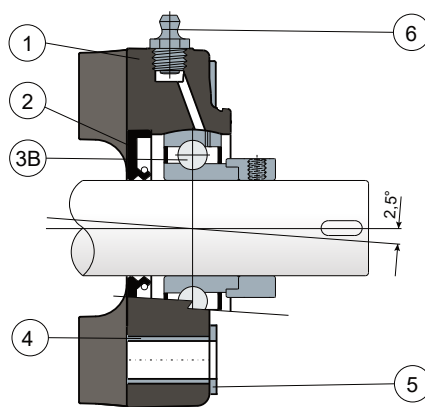
Long Life bearings: life long lubrication.



Grub screws shaft locking - Without protection cover



Eccentric collar shaft locking - Without protection cover



- 1) Housing made out of blue Ral 5005 colour polyamide reinforced with glass fibers.
- 2) Back gasket made out of NBR rubber for turning shaft seal.
- 3) Chrome steel or stainless steel bearing AISI 440. 3B) Chrome steel bearing.
- 4) Spacer for fixing reinforcement made out of stainless steel AISI 304.
- 5) UNI 6592 support washer made out of stainless steel AISI 304.
- 6) Greaser, straight type with 1/8 gas thread, made out of stainless steel AISI 303 (absent in the versions with Long Life bearing).

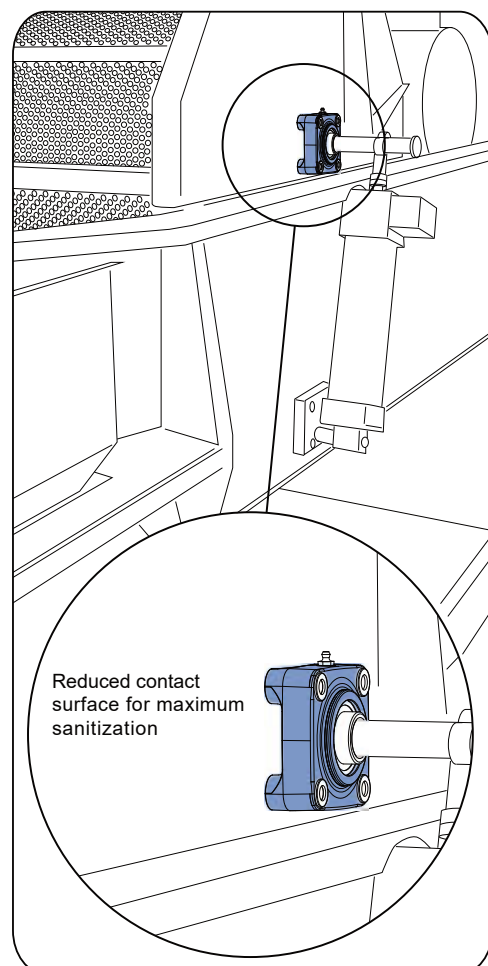
NOTE: The protection cover can be ordered separately as an accessory; in the Long Life version, the greaser is absent and the lubrication channel is protected by a rubber cap.

Support dimensions respect ISO 3228 set of rules Maximum shaft alignment error 2,5°
For further information please contact our technical office or sales department.

MATERIALS: Support made out of blue Ral 5005 colour PA + glass fiber; bearing with grub screws shaft locking in chrome steel or stainless steel; bearing with eccentric collar shaft locking in chrome steel; greaser made out of stainless steel; reinforcement bushings and washers made out of stainless steel AISI 304; gaskets made out of NBR rubber; cover made out of polypropylene grey Ral 7042, blue Ral 5015, orange Ral 2004, red Ral 3000 colour.
FEATURES: The protection cover can be ordered separately as an accessory. The reduced contact surface of the base of the support allows maximum sanitification. Assembly with not shouldered shafts. Maximum shaft alignment error 2.5°.
BOX QUANTITY: 8 pieces.

ON REQUEST: Versions with body in polypropylene + glass fiber and antibacterial additive; protection covers in different colours and with customized brand; box quantity according to your request; Viton gaskets; available without NBR rubber back gasket for turning shaft seal.

Example of application

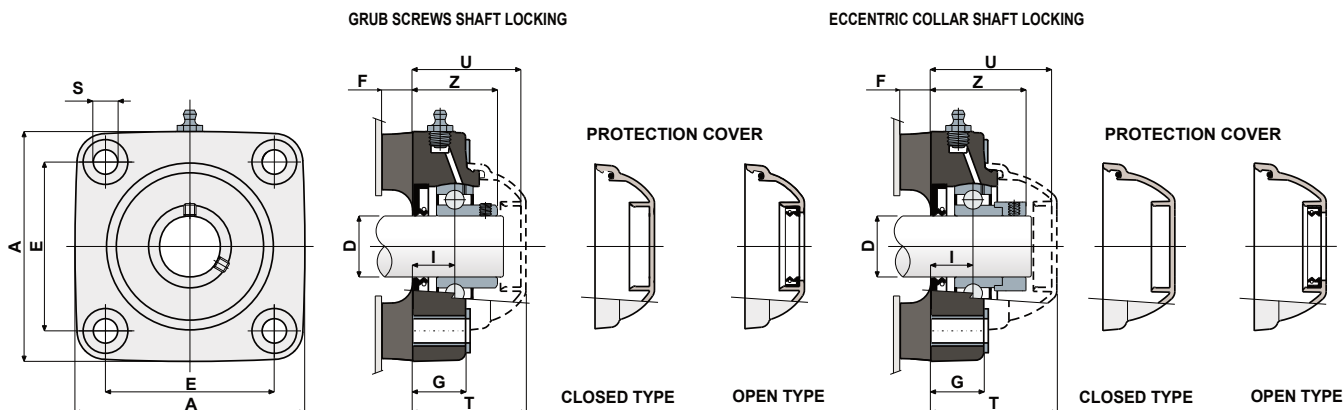




Square flanged bearing supports (Solid)

Technical data

Serie **UCF/CX**



GRUB SCREWS SHAFT LOCKING

D	SERIE	CHROME STEEL BEARING											COVER CODES										
		Support CODES		DIMENSIONS (mm)									Bearing load (N)		Bearing support load	GREY RAL 7042		BLUE RAL 5015		ORANGE RAL 2004		RED RAL 3000	
		Standard bearing	Long Life bearing	E	A	S	F	G	I	Z	U	T	C	C0	(N)	Closed	Open	Closed	Open	Closed	Open	Closed	Open
25	UCF205 CX	88692	89495	70	99,5	10,5	15	22	17,4	37	47	49,5	14000	7800	17000	80075	80076	85384	85385	82276	82277	87542	87543
30	UCF206 CX	88693	89496	83	113	10,5	15	26	20	42	53,2	55,7	19500	11300	17500	80011	80053	84100	80354	82278	82279	87531	87530

ECCENTRIC COLLAR SHAFT LOCKING

D	SERIE	CHROME STEEL BEARING											COVER CODES				
		Support CODES		DIMENSIONS (mm)									Bearing load (N)		Bearing support load	GREY RAL 7042	
		Standard bearing	Long Life bearing	E	A	S	F	G	I	Z	U	T	C	C0	(N)	Closed	Open
25	UCF205 CX	88696	89497	70	99,5	10,5	15	22	17,4	40,9	52,9	55,4	14000	7800	17000	88373	88374
30	UCF206 CX	88697	89498	83	113	10,5	15	26	20	46,7	59,4	61,9	19500	11300	17500	88375	88376

GRUB SCREWS SHAFT LOCKING

D	SERIE	STAINLESS STEEL BEARING AISI 440											COVER CODES										
		Support CODES		DIMENSIONS (mm)									Bearing load (N)		Bearing support load	GREY RAL 7042		BLUE RAL 5015		ORANGE RAL 2004		RED RAL 3000	
		Standard bearing	Long Life bearing	E	A	S	F	G	I	Z	U	T	C	C0	(N)	Closed	Open	Closed	Open	Closed	Open	Closed	Open
25	UCF205 CX	88694	89499	70	99,5	10,5	15	22	17,4	37	47	49,5	9150	7800	17000	80075	80076	85384	85385	82276	82277	87542	87543
30	UCF206 CX	88695	89500	83	113	10,5	15	26	20	42	53,2	55,7	12500	11200	17500	80011	80053	84100	80354	82278	82279	87531	87530



Square flanged bearing supports

Serie **UCF**
Serie **MUCF**



Self-aligning bearings with Solid body: completely closed surface to guarantee the max hygiene.

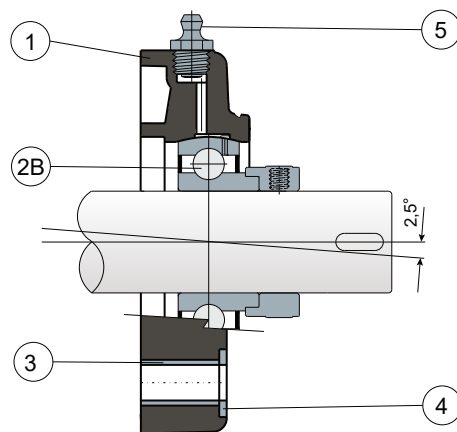
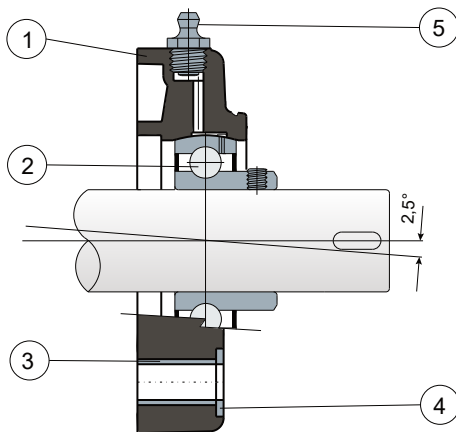


Long Life bearings: life long lubrication.



Grub screws shaft locking - Without cover and back gasket

Eccentric collar shaft locking - Without cover and back gasket



- 1) Housing made out of black, white or blue Ral 5005 colour polyamide reinforced with glass fibers.
- 2) Chrome steel or stainless steel bearing AISI 440. 2B) Chrome steel bearing.
- 3) Spacer for fixing reinforcement made out of stainless steel AISI 304.
- 4) UNI 6592 support washer made out of stainless steel AISI 304.
- 5) Greaser, straight type with 1/8 gas thread, made out of nickel-plated brass (absent in the versions with Long Life bearing).

NOTE: The back gasket and the protection cover can be ordered separately as accessories; in the Long Life version, the greaser is absent and the lubrication channel is protected by a rubber cap.

Support dimensions respect ISO 3228 set of rules. Maximum shaft alignment error 2,5°
For further information please contact our technical office or sales department.

MATERIALS: Housing is made out of PA + glass fiber in black, white or blue Ral 5005 colours; bearing with grub screws shaft locking in chrome steel or stainless steel; bearing with eccentric collar shaft locking in chrome steel; greaser made out of nickel plated brass; reinforcement bushings and washers made out of stainless steel AISI 304; gaskets made out of NBRubber; cover made out of polypropylene grey Ral 7042, blue Ral 5015, orange Ral 2004 or red Ral 3000 colour.

FEATURES: The back gasket and the protection cover can be ordered separately as accessories. Assembly with shouldered and not shouldered shafts. Maximum shaft alignment error 2.5°.

BOX QUANTITY: 8 pieces.

ON REQUEST: Versions with body in polypropylene + glass fiber and antibacterial additive; protection covers in different colours and with customized brand; box quantity according to your request; Viton gaskets.

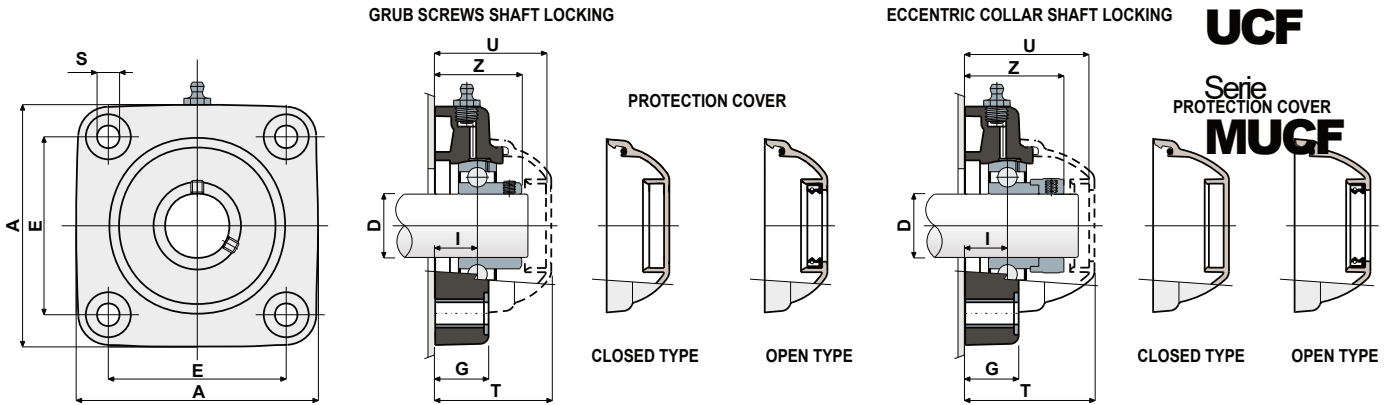


Square flanged bearing supports

Technical data

Serie **UCF**

Serie **MUGF**
PROTECTION COVER



GRUB SCREWS SHAFT LOCKING

D	SERIE	CHROME STEEL BEARING													COVERCODES												
		Support CODES						DIMENSIONS(mm)							Bearing load (N)			Bearingsupportload		GREYRAL7042		BLUERAL5015		ORANGERAL2004		REDRAL3000	
		Standard bearing			Long Life bearing			E	A	S	G	I	Z	U	T	C	CO	(N)	Closed	Open	Closed	Open	Closed	Open	Closed	Open	
		Black	White	Blue Ra15005	Black	White	Blue Ra15005																				
20	UCF204	80258	84628	87682	89503	89507	89515	63.5	90	10.5	19	15.5	33.5	44	46.5	12800	6600	16500	80254	80255	87259	83901	82305	82306	87540	87541	
25	UCF205	80054	84629	87683	82483	89508	89516	70	99.5	10.5	22	17.4	37	47	49.5	14000	7800	17000	80075	80076	85384	85385	82276	82277	87542	87543	
30	UCF206	80010	84630	87684	84815	89509	89517	83	113	10.5	26	20.7	41	52.5	55	19500	11300	17500	80011	80053	84100	80354	82278	82279	87531	87530	
30	MUCF206	84043	84631	87685	89504	89510	89518	83	113	10.5	26	20.7	41	65	68	19500	11300	17500	80256	80494	83088	87271	82280	87555	87528	87569	
35	UCF207	80055	84632	87686	80477	89511	89519	92	122	10.5	26	20	45	57	59	25500	15300	18000	80077	80078	80969	80275	82284	82285	87544	87545	
35	MUCF207	82652	84633	87687	89505	89512	89520	83	113	10.5	26	20	45	65	68	25500	15300	18000	80256	80495	83088	87277	82280	87557	87528	87529	
40	UCF208	80259	84634	87688	80478	89513	89521	102	133	10.5	26	19.5	48.5	65	68	32500	19800	18000	80256	80257	83088	86722	82280	82281	87528	82804	
40	MUCF208	80712	84635	87689	89506	89514	89522	83	113	10.5	26	19.5	48.5	65	68	32500	19800	18000	80256	80257	83088	86722	82280	82281	87528	82804	

ECCENTRIC COLLAR SHAFT LOCKING

D	SERIE	CHROME STEEL BEARING													COVERCODES						
		Support CODES						DIMENSIONS(mm)							Bearing load (N)			Bearingsupportload		GREYRAL7042	
		Standard bearing			Long Life bearing			E	A	S	G	I	Z	U	T	C	CO	(N)	Closed	Open	
		Black	White	Blue Ra15005	Black	White	Blue Ra15005														
20	UCF204	88464	88470	88478	89523	89530	89538	63.5	90	10.5	19	15.5	39	51	53.5	12800	6600	16500	88371	88372	
25	UCF205	88465	88471	88479	89524	89531	89539	70	99.5	10.5	22	17.4	40.9	52.9	55.4	14000	7800	17000	88373	88374	
30	UCF206	88466	88472	88480	89525	89532	89540	83	113	10.5	26	20.7	47.4	59.4	61.9	19500	11300	17500	88375	88376	
30	MUCF206	87203	88473	88481	87204	89533	89541	83	113	10.5	26	20.7	47.4	65	68	19500	11300	17500	80256	80494	
35	UCF207	88467	88474	88482	89526	89534	89542	92	122	10.5	26	20	49.3	61.3	63.8	25500	15300	18000	88377	88378	
35	MUCF207	88468	88475	88483	89527	89535	89543	83	113	10.5	26	20	49.3	65	68	25500	15300	18000	80256	80495	
40	UCF208	88469	88476	88484	89528	89536	89544	102	133	10.5	26	19.5	52.2	65	68	32500	19800	18000	80256	80257	
40	MUCF208	87205	88477	88485	89529	89537	89545	83	113	10.5	26	19.5	52.2	65	68	32500	19800	18000	80256	80257	

GRUB SCREWS SHAFT LOCKING

D	SERIE	STAINLESS STEEL BEARING AISI 440													COVERCODES												
		Support CODES						DIMENSIONS(mm)							Bearing load (N)			Bearingsupportload		GREYRAL7042		BLUERAL5015		ORANGERAL2004		REDRAL3000	
		Standard bearing			Long Life bearing			E	A	S	G	I	Z	U	T	C	CO	(N)	Closed	Open	Closed	Open	Closed	Open	Closed	Open	
		Black	White	Blue Ra15005	Black	White	Blue Ra15005																				
20	UCF204	80514	84636	87690	83403	89550	89558	63.5	90	10.5	19	15.5	33.5	44	46.5	8300	6600	16500	80254	80255	87259	83901	82305	82306	87540	87541	
25	UCF205	80515	84637	87691	83404	89551	89559	70	99.5	10.5	22	17.4	37	47	49.5	9150	7800	17000	80075	80076	85384	85385	82276	82277	87542	87543	
30	UCF206	80976	84638	87692	83405	89552	89560	83	113	10.5	26	20.7	41	52.5	55	12500	11200	17500	80011	80053	84100	80354	82278	82279	87531	87530	
30	MUCF206	84044	84639	87693	89546	89553	89561	83	113	10.5	26	20.7	41	65	68	12500	11200	17500	80256	80494	83088	87271	82280	87555	87528	87569	
35	UCF207	81052	84640	87694	87248	89554	88745	92	122	10.5	26	20	45	57	59	16600	15300	18000	80077	80078	80969	80275	82284	82285	87544	87545	
35	MUCF207	83468	84641	87695	89547	89555	89562	83	113	10.5	26	20	45	65	68	16600	15300	18000	80256	80495	83088	87277	82280	87557	87528	87529	
40	UCF208	80695	84642	87696	89548	89556	88808	102	133	10.5	26	19.5	48.5	65	68	20000	19000	18000	80256	80257	83088	86722	82280	82281	87528	82804	
40	MUCF208	81045	84643	87697	89549	89557	89563	83	113	10.5	26	19.5	48.5	65	68	20000	19000	18000	80256	80257	83088	86722	82280	82281	87528	82804	

GRUB SCREWS SHAFT LOCKING - VERSIONS WITH MEASURES IN INCHES

D	(inches)	(mm)	SERIE	CHROME STEEL BEARING													COVERCODES												
				Support CODES						DIMENSIONS(mm)							Bearing load (N)			Bearingsupportload		GREYRAL7042		BLUERAL5015		ORANGERAL2004		REDRAL3000	
				Standard bearing			Long Life bearing			E	A	S	G	I	Z	U	T	C	CO	(N)	Closed	Open	Closed	Open	Closed	Open	Closed	Open	
				Black	White	Blue Ra15005	Black	White	Blue Ra15005																				
1"	25.4	UCF205	84496	84887	87698	89564	89567	89570	70	99.5	10.5	22	17.4	37	47	49.5	14000	7800	17000	80075	85202	85384	87273	82276	87660	87542	87663		
1 1/4"	31.75	UCF206	84497	84888	87699	89565	89568	89571	83	113	10.5	26	20.7	41	52.5	55	19500	11300	17500	80011	85203	84100	87274	82278	87661	87531	87664		
1 1/4"	31.75	MUCF206	84498	85183	87700	89566	89569	89572	83	113	10.5	26	20.7	41	65	68	19500	11300	17500	80256	85204	83088	87275	82280	87662	87528	87665		

Inch dimensions conform to the British Imperial system



Square flanged bearing supports

Serie **UCF/CS**
Serie **MUCF/CS**



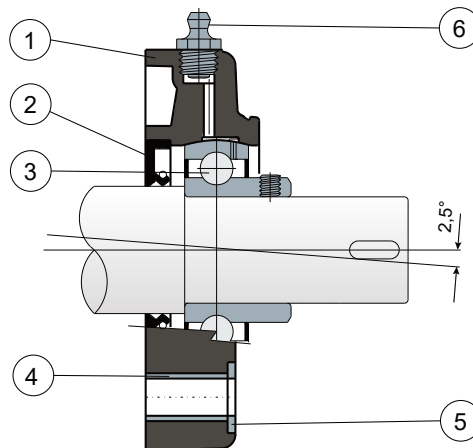
Self-aligning bearings with Solid body: completely closed surface to guarantee the max hygiene.



Long Life bearings: life long lubrication.

NEW

Back gasket for shouldered shaft



- 1) Housing made out of black, white or blue Ral 5005 colour polyamide reinforced with glass fibers.
- 2) Back gasket made out of NBR rubber for turning shaft seal.
- 3) Chrome steel or stainless steel bearing AISI 440.
- 4) Spacer for fixing reinforcement made out of stainless steel AISI 304.
- 5) UNI 6592 support washer made out of stainless steel AISI 304.
- 6) Greaser, straight type with 1/8 gas thread, made out of nickel-plated brass (absent in the versions with Long Life bearing).

N.B.: The protection cover can be ordered separately as an accessory; in the Long Life version, the greaser is absent and the lubrication channel is protected by a rubber cap.

Support dimensions respect ISO 3228 set of rules. Maximum shaft alignment error 2,5° For further information please contact our technical office or sales department.

MATERIALS: Housing is made out of PA+ glass fiber in black, white or blue Ral 5005 colours; chrome steel or stainless steel bearing; greaser made out of nickel plated brass; reinforcement bushings and washers made out of stainless steel AISI 304; gaskets made out of NBR rubber; cover made out of polypropylene grey Ral 7042, blue Ral 5015, orange Ral 2004 or red Ral 3000 colour.

FEATURES: Back gasket for shouldered shafts; the protection cover can be ordered separately as an accessory. Use of shouldered shafts allows a higher capability of axial load. Maximum shaft alignment error 2.5°.

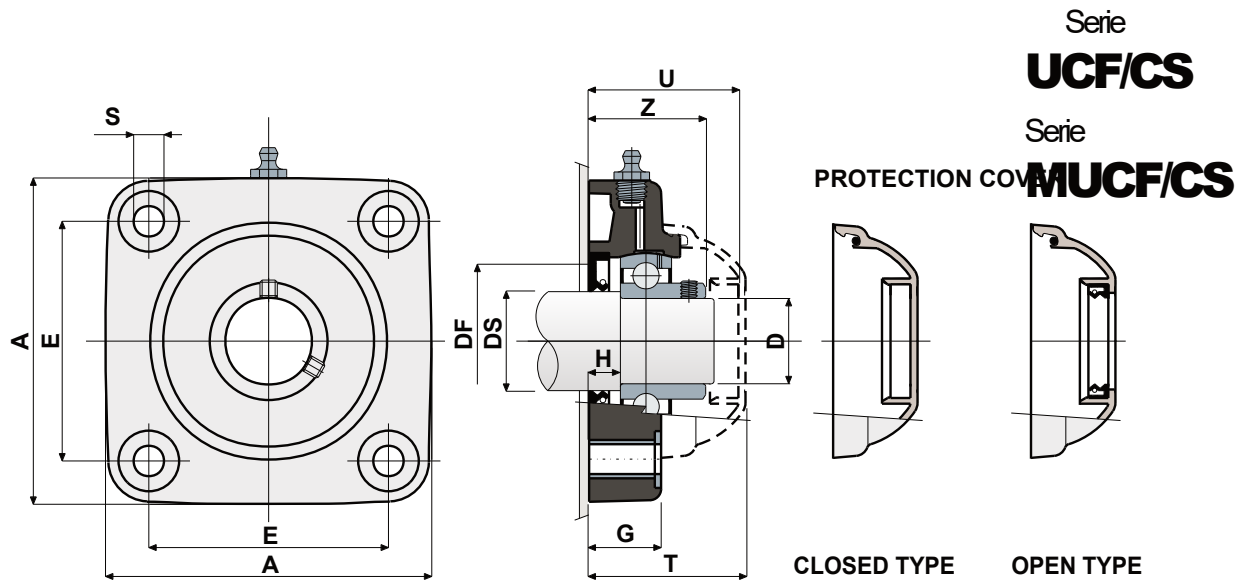
BOX QUANTITY: 8 pieces.

ON REQUEST: Versions with body in polypropylene + glass fiber and antibacterial additive; protection covers in different colours and with customized brand; box quantity according to your request; Viton gaskets.



Square flanged bearing supports

Technical data



CHROME STEEL BEARING																				COVER CODES													
DS	D	SERIE	Support CODES						DIMENSIONS (mm)												Bearing load (N)			Bearingsupportload		GREY RAL7042		BLUERAL5015		ORANGERAL2004		RED RAL3000	
			Standard bearing			Long Life bearing			E	A	S	G	H	Z	U	T	DF		C	C0	(N)	Closed	Open	Closed	Open	Closed	Open	Closed	Open				
			Black	White	Blue Ra15005	Black	White	Blue Ra15005									Max	Min															
25	20	UCF204 CS	80260	85246	89229	89573	89580	89588	63,5	90	10,5	19	8,5	33,5	44	46,5	45	40	12800	6600			16500	80254	80255	87259	83901	82305	82306	87540	87541		
30	25	UCF205 CS	80178	85247	89230	89574	89581	89589	70	99,5	10,5	22	10	37	47	49,5	50	45	14000	7800			17000	80075	80076	85384	85385	82276	82277	87542	87543		
35	30	UCF206 CS	80179	85248	89231	89575	89582	89590	83	113	10,5	26	11,5	41	52,5	55	60	50	19500	11300			17500	80011	80053	84100	80354	82278	82279	87531	87530		
35	30	MUCF206 CS	84045	85249	89232	89576	89583	89591	83	113	10,5	26	11,5	41	65	68	60	50	19500	11300			17500	80256	80494	83088	87271	82280	87555	87528	87569		
40	35	UCF207 CS	80180	85250	89233	86697	89584	89592	92	22	10,5	26	10,5	45	57	59	70	55	25500	15300			18000	80077	80078	80969	80275	82284	82285	87544	87545		
40	35	MUCF207 CS	84046	85251	89234	89577	89585	89593	83	122	10,5	26	10,5	45	65	68	70	55	25500	15300			18000	80256	80495	83088	87277	82280	87557	87528	87529		
45	40	UCF208 CS	80261	85252	89235	89578	89586	89594	102	133	10,5	26	9	48,5	65	68	78	65	32500	19800			18000	80256	80257	83088	86722	82280	82281	87528	82804		
45	40	MUCF208 CS	80713	85253	89236	89579	89587	89595	83	113	10,5	26	9	48,5	65	68	78	65	32500	19800			18000	80256	80257	83088	86722	82280	82281	87528	82804		

STAINLESS STEEL BEARING AISI 440																				COVER CODES													
DS	D	SERIE	Support CODES						DIMENSIONS (mm)												Bearing load (N)			Bearingsupportload		GREY RAL7042		BLUERAL5015		ORANGERAL2004		RED RAL3000	
			Standard bearing			Long Life bearing			E	A	S	G	H	Z	U	T	DF		C	C0	(N)	Closed	Open	Closed	Open	Closed	Open	Closed	Open				
			Black	White	Blue Ra15005	Black	White	Blue Ra15005									Max	Min															
25	20	UCF204 CS	83520	85254	89237	89596	89602	89610	63,5	90	10,5	19	8,5	33,5	44	46,5	45	40	8300	6600			16500	80254	80255	87259	83901	82305	82306	87540	87541		
30	25	UCF205 CS	84146	85255	89238	88091	89603	89611	70	99,5	10,5	22	10	37	47	49,5	50	45	9150	7800			17000	80075	80076	85384	85385	82276	82277	87542	87543		
35	30	UCF206 CS	83829	85256	89239	89597	89604	89612	83	113	10,5	26	11,5	41	52,5	55	60	50	12500	11200			17500	80011	80053	84100	80354	82278	82279	87531	87530		
35	30	MUCF206 CS	85259	85261	89240	89598	89605	89613	83	113	10,5	26	11,5	41	65	68	60	50	12500	11200			17500	80256	80494	83088	87271	82280	87555	87528	87569		
40	35	UCF207 CS	84147	85257	89241	89599	89606	89614	92	22	10,5	26	10,5	45	57	59	70	55	16600	15300			18000	80077	80078	80969	80275	82284	82285	87544	87545		
40	35	MUCF207 CS	85260	85262	89242	88090	89607	89615	83	122	10,5	26	10,5	45	65	68	70	55	16600	15300			18000	80256	80495	83088	87277	82280	87557	87528	87529		
45	40	UCF208 CS	80322	85258	89243	89600	89608	89616	102	133	10,5	26	9	48,5	65	68	78	65	20000	19000			18000	80256	80257	83088	86722	82280	82281	87528	82804		
45	40	MUCF208 CS	83828	85263	89244	89601	89609	89617	83	113	10,5	26	9	48,5	65	68	78	65	20000	19000			18000	80256	80257	83088	86722	82280	82281	87528	82804		



Square flanged bearing supports (S Solid)

Serie **UCF/CA**



On request covers in polypropylene blue Ral 5015 colour.



On request covers in polypropylene orange Ral 2004 colour.



On request covers in polypropylene red Ral 3000 colour.



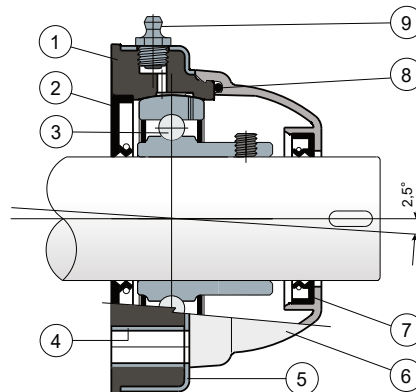
Self-aligning bearings with Solid body: completely closed surface to guarantee the max hygiene.



Long Life bearings: life long lubrication.



External cover made out of stainless steel AISI 304



- 1) Internal body of support made out of black colour polypropylene reinforced with glass fibers.
- 2) Back gasket made out of NBR rubber for turning shaft seal.
- 3) Chrome steel or stainless steel bearing AISI 440.
- 4) Spacer for fixing reinforcement made out of stainless steel AISI 304.
- 5) External cover of support made out of AISI 304 stainless steel.
- 6) Protection cover made out of polypropylene (grey colour Ral 7042).
- 7) Front gasket made out of NBR rubber for turning shaft seal.
- 8) OR gasket made out of NBR rubber.
- 9) Greaser, straight type with 1/8 gas thread, made out of nickel-plated brass (absent in the versions with Long Life bearing).

N.B.: In the Long Life version, the greaser is absent and the lubrication channel is protected by a rubber cap.

Maximum shaft alignment error 2,5°

For further information please contact our technical office or sales department.

MATERIALS: Support made out of black colour PP+ glass fiber; external cover of support made out of stainless steel AISI 304; chrome steel or stainless steel bearing; greaser made out of nickel plated brass; reinforcement bushings made out of stainless steel AISI 304; gaskets made out of NBR rubber; protection cover made out of grey RAL 7042 colour polypropylene.

FEATURES: Full protection of bearing against external agents. Housing in polypropylene covered with a layer of AISI 304 stainless steel, to obtain the maximum chemical resistance to antibacterial detergents used in the food processing sector. More over this part is moulded without internal cavities in order to obtain the best sanitation. Assembly with not shouldered shaft. Maximum shaft alignment error 2.5°.

BOX QUANTITY: 8 pieces.

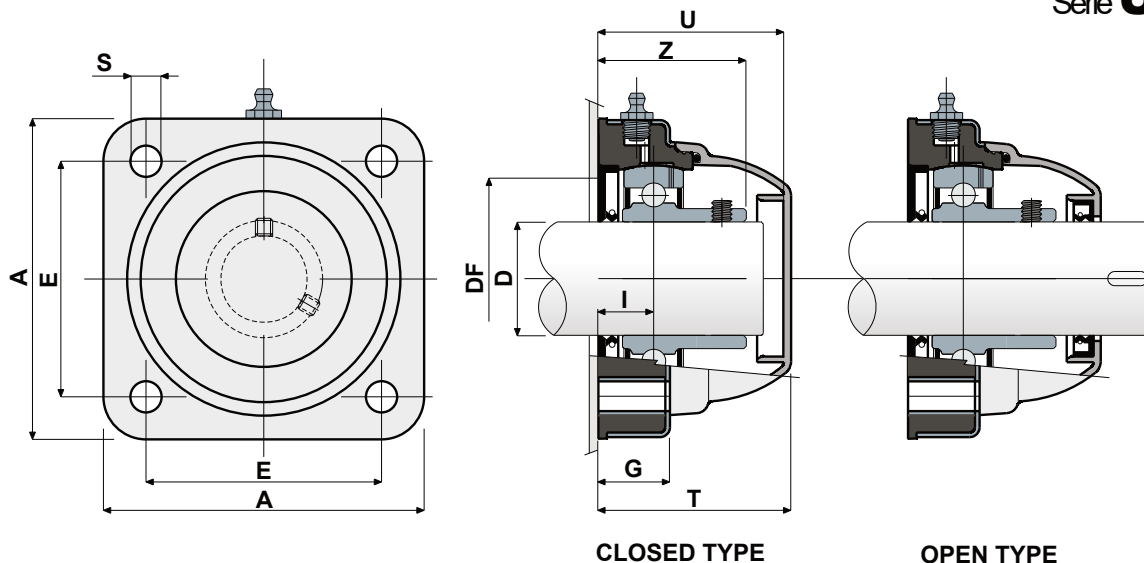
ON REQUEST: Protection covers in different colours and with customized brand; internal body in reinforced polypropylene white or blue Ral 5005 colour; supports with eccentric collar shaft locking with chrome steel bearing; box quantity according to your request; Viton gaskets.



Square flanged bearing supports (Solid)

Technical data

Serie **UCF/CA**



CHROME STEEL BEARING																			
D	SERIE	CODES				DIMENSIONS (mm)											Bearing load (N)		Bearingsupportload (N)
		Standard bearing		Long Life bearing		E	A	S	G	I	Z	U	T	DF		C	C0		
		Closed	Open	Closed	Open									Max	Min				
30	UCF206 CA	80409	80410	89618	89619	83	113	11	27	20	41	65	68	60	50	19500	11300	17500	
35	UCF207 CA	80485	80486	89620	89621	83	113	11	27	19,5	45	65	68	70	55	25500	15300	18000	
40	UCF208 CA	80411	80412	83103	83102	83	113	11	27	19,5	48,5	65	68	78	65	32500	19800	18000	

STAINLESS STEEL BEARING AISI 440																			
D	SERIE	CODES				DIMENSIONS (mm)											Bearing load (N)		Bearingsupportload (N)
		Standard bearing		Long Life bearing		E	A	S	G	I	Z	U	T	DF		C	C0		
		Closed	Open	Closed	Open									Max	Min				
30	UCF206 CA	80453	80464	84991	84992	83	113	11	27	20	41	65	68	60	50	12500	11200	17500	
35	UCF207 CA	81059	81060	84866	84867	83	113	11	27	19,5	45	65	68	70	55	16600	15300	18000	
40	UCF208 CA	80454	81061	82388	80455	83	113	11	27	19,5	48,5	65	68	78	65	20000	19000	18000	

VERSIONS WITH MEASURES IN INCHES

CHROME STEEL BEARING																			
D	SERIE	CODES				DIMENSIONS (mm)											Bearing load (N)		Bearingsupportload (N)
		Standard bearing		Long Life bearing		E	A	S	G	I	Z	U	T	DF		C	C0		
		Closed	Open	Closed	Open									Max	Min				
(inches)	(mm)																		
1 1/4	31,75	UCF206 CA	84499	84503	89622	89623	83	113	11	27	20	41	65	68	60	50	19500	11300	17500

Inch dimensions conform to the British Imperial system



Square flanged bearing supports (S Solid)

Serie **UCF/CXA**



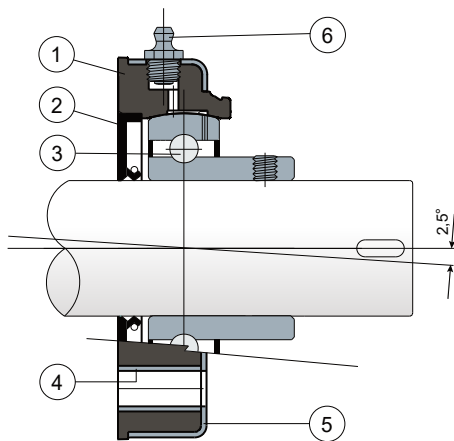
Self-aligning bearings with Solid body: completely closed surface to guarantee the max hygiene.



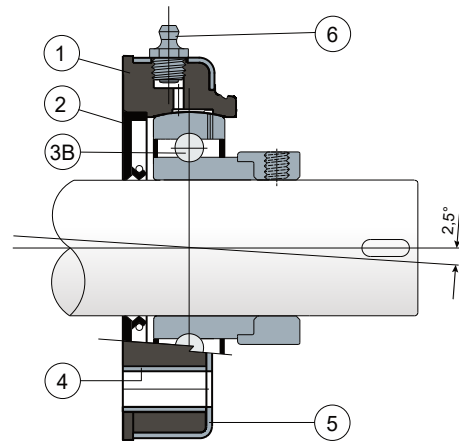
Long Life bearings: life long lubrication.



Grub screws shaft locking
External cover made out of stainless steel AISI 304; without protection cover



Eccentric collar shaft locking
External cover made out of stainless steel AISI 304; without protection cover



- 1) Internal body of support made out of black colour polypropylene reinforced with glass fibers.
- 2) Back gasket made out of NBR rubber for turning shaft seal.
- 3) Chrome steel or stainless steel bearing AISI 440. 3B) Chrome steel bearing.
- 4) Spacer for fixing reinforcement made out of stainless steel AISI 304.
- 5) External cover of support made out of AISI 304 stainless steel.
- 6) Greaser, straight type with 1/8 gas thread, made out of nickel-plated brass (absent in the versions with Long Life bearing).

NOTE: The protection cover can be ordered separately as an accessory; in the Long Life version, the greaser is absent and the lubrication channel is protected by a rubber cap.

Maximum shaft alignment error 2,5°

For further information please contact our technical office or sales department.

MATERIALS: Support made out of black colour PP + glass fiber; external cover of support made out of stainless steel AISI 304; bearing with grub screws shaft locking in chrome steel or stainless steel; bearing with eccentric collar shaft locking in chrome steel; greaser made out of nickel plated brass; reinforcement bushings made out of stainless steel AISI 304; gaskets made out of NBR rubber; protection cover made out of polypropylene grey Ral 7042, blue Ral 5015, orange Ral 2004 or red Ral 3000 colour.

FEATURES: The protection cover can be ordered separately as an accessory. Housing in polypropylene covered with a layer of AISI 304 stainless steel, to obtain the maximum chemical resistance to antibacterial detergents used in the food processing sector. More over this part is moulded without internal cavities in order to obtain the best sanitation. Assembly with not shouldered shaft. Maximum shaft alignment error 2.5°.

BOX QUANTITY: 8 pieces.

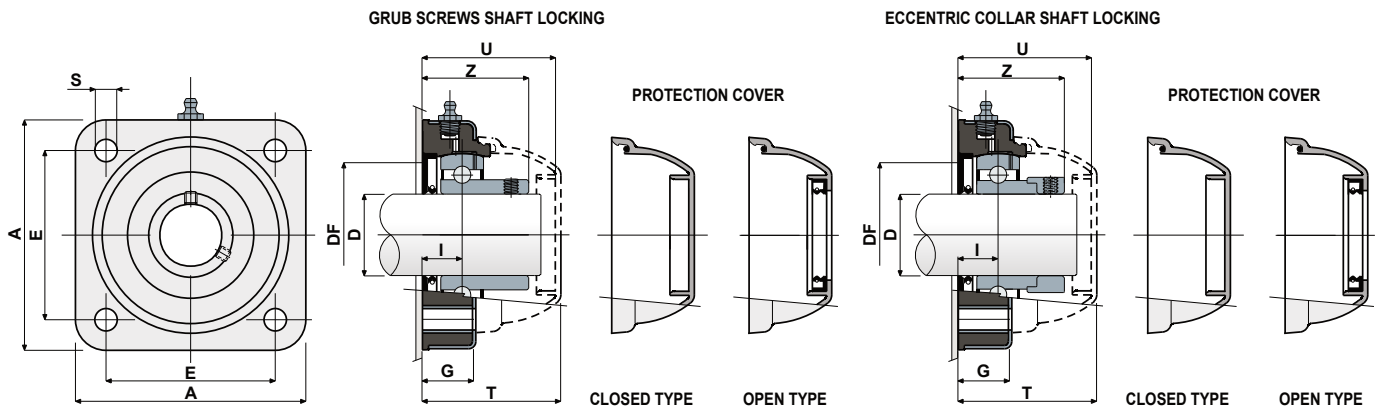
ON REQUEST: Protection covers in different colours and with customized brand; internal body in reinforced polypropylene white or blue Ral 5005 colour; box quantity according to your request; Viton gaskets.



Square flanged bearing supports (Solid)

Technical data

Serie **UCF/CXA**



GRUB SCREWS SHAFT LOCKING

CHROME STEEL BEARING															COVER CODES											
D	SERIE	Support CODES		DIMENSIONS (mm)											Bearing load (N)		Bearing support load	GREY RAL 7042		BLUERAL 5015		ORANGERAL 2004		RED RAL 3000		
		Standard bearing	Long Life bearing	E	A	S	G	I	Z	U	T	DF	C	C0	(N)	Closed	Open	Closed	Open	Closed	Open	Closed	Open			
																								Max	Min	
30	UCF206 CXA	80413	84796	83	113	11	27	20	41	65	68	60	50	19500	11300		17500	80256	80494	83088	87271	82280	87555	87528	87569	87529
35	UCF207 CXA	80479	84797	83	113	11	27	19,5	45	65	68	70	55	25500	15300		18000	80256	80495	83088	87277	82280	87557	87528	87529	87529
40	UCF208 CXA	80414	84798	83	113	11	27	19,5	48,5	65	68	78	65	32500	19800		18000	80257	80495	83088	86722	82281	82281	82281	82804	82804

ECCENTRIC COLLAR SHAFT LOCKING

CHROME STEEL BEARING															COVER CODES						
D	SERIE	Support CODES		DIMENSIONS (mm)											Bearing load (N)		Bearing support load	GREY RAL 7042			
		Standard bearing	Long Life bearing	E	A	S	G	I	Z	U	T	DF	C	C0	(N)	Closed	Open				
																		Max	Min		
30	UCF206 CXA	87195	89624	83	113	11	27	20	47	65	68	60	50	19500	11300		17500	80256	80494		
35	UCF207 CXA	88486	80497	83	113	11	27	19,5	49	65	68	70	55	25500	15300		18000	80256	80495		
40	UCF208 CXA	88487	89625	83	113	11	27	19,5	52,2	65	68	78	65	32500	19800		18000	80257	80495		

GRUB SCREWS SHAFT LOCKING

STAINLESS STEEL BEARING AISI 440															COVER CODES										
D	SERIE	Support CODES		DIMENSIONS (mm)											Bearing load (N)		Bearing support load	GREY RAL 7042		BLUERAL 5015		ORANGERAL 2004		RED RAL 3000	
		Standard bearing	Long Life bearing	E	A	S	G	I	Z	U	T	DF	C	C0	(N)	Closed	Open	Closed	Open	Closed	Open	Closed	Open		
																								Max	Min
30	UCF206 CXA	80499	89626	83	113	11	27	20	41	65	68	60	50	12500	11200		17500	80256	80494	83088	87271	82280	87555	87528	87569
35	UCF207 CXA	80500	85821	83	113	11	27	19,5	45	65	68	70	55	16600	15300		18000	80256	80495	83088	87277	82280	87557	87528	87529
40	UCF208 CXA	80501	83461	83	113	11	27	19,5	48,5	65	68	78	65	20000	19000		18000	80257	80495	83088	86722	82281	82281	82804	82804

GRUB SCREWS SHAFT LOCKING - VERSIONS WITH MEASURES IN INCHES

CHROME STEEL BEARING															COVER CODES										
D	SERIE	Support CODES		DIMENSIONS (mm)											Bearing load (N)		Bearing support load	GREY RAL 7042		BLUERAL 5015		ORANGERAL 2004		RED RAL 3000	
		Standard bearing	Long Life bearing	E	A	S	G	I	Z	U	T	DF	C	C0	(N)	Closed	Open	Closed	Open	Closed	Open	Closed	Open		
																								Max	Min
1 1/4 31,75 87665	UCF206 CXA	84505	89627	83	113	11	27	20	41	65	68	60	50	19500	11300		17500	80256	85204	83088	87275	82280	87662	87528	87528

Inch dimensions conform to the British Imperial system



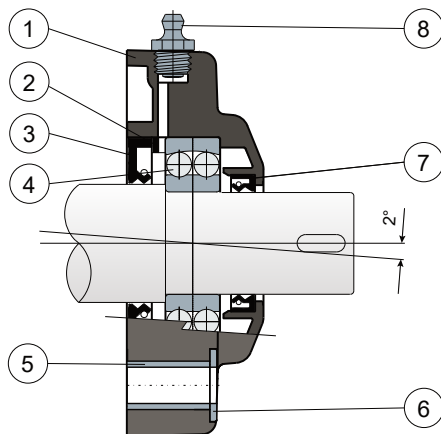
Square flanged bearing supports

Serie **F**

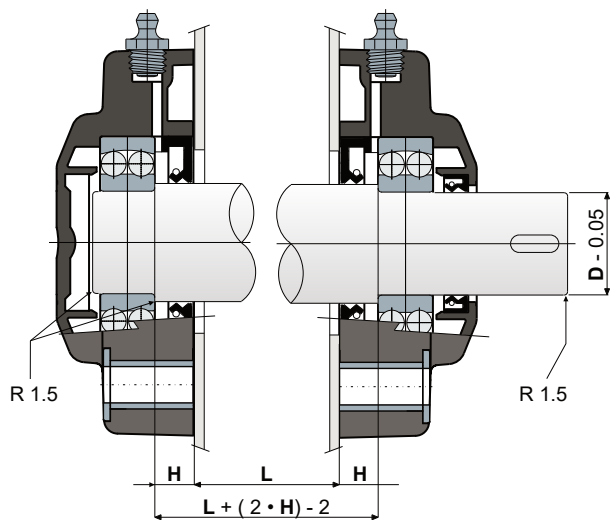


The bearing cover integrated into the body of the support guarantees maximum sanitation

Back gasket for shouldered shaft



Mounting specifications



- 1) Housing made out of black or white colour polyamide reinforced with glass fibers.
- 2) Intermediate bearing ring spacer made out of black colour polyamide reinforced with glass fibers.
- 3) Back gasket made out of NBR rubber for turning shaft seal.
- 4) Chrome steel bearing type 1200 supplied without lubricant.
- 5) Spacer for fixing reinforcement made out of stainless steel AISI 304.
- 6) UNI 6592 support washer made out of stainless steel AISI 304.
- 7) Front gasket made out of NBR rubber for turning shaft seal.
- 8) Greaser, straight type with 1/8 gas thread, made out of nickel-plated brass.

Support dimensions respect ISO 3228 set of rules Maximum shaft alignment error 2°
For further information please contact our technical office or sales department.

MATERIALS: Housing is made out of PA + glass fiber in black or white colours; Intermediate bearing ring spacer made out of black colour PA + glass fiber; chrome steel bearing; greaser made out of nickel plated brass; reinforcement bushings and washers made out of stainless steel AISI 304; gaskets made out of NBR rubber.

FEATURES: Back gasket for shouldered shafts. Use of shouldered shafts allows a higher capability of axial load. Maximum shaft alignment error 2°.

BOX QUANTITY: 8 pieces.

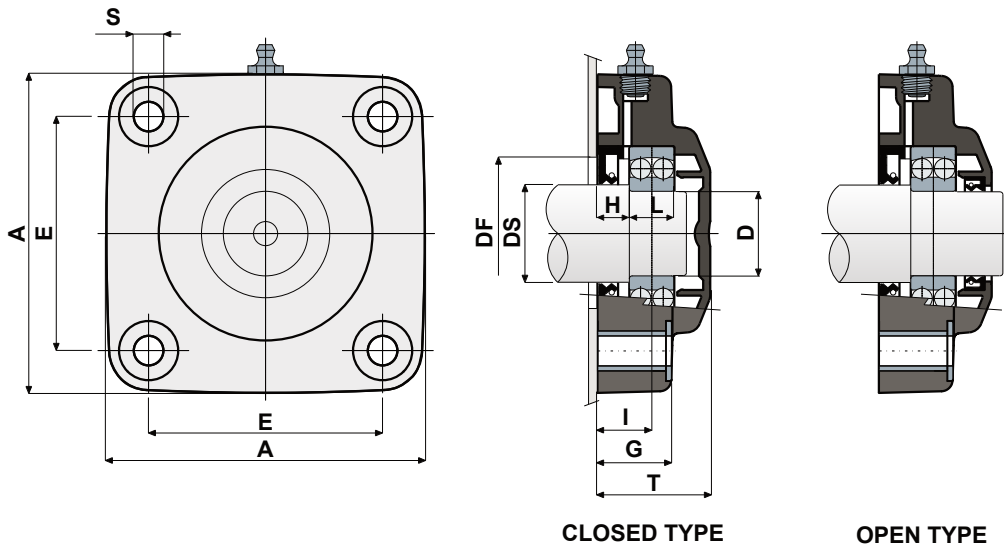
ON REQUEST: Versions with body in polypropylene + glass fiber and antibacterial additive; box quantity according to your request; Viton gaskets.



Square flanged bearing supports

Technical data

Serie **F**



CHROME STEEL BEARING																			
DS	D	SERIE	CODES				DIMENSIONS (mm)										Bearing load (N)		Bearingsupportload (N)
			Black		White		E	A	S	G	H	I	L	T	DF		C	C0	
			Closed	Open	Closed	Open									Max	Min			
30	25	F1205	87469	87475	87470	87476	70	99	10,5	22	11	18,8	15	36,5	50	45	14300	4000	17250
35	30	F1206	87481	87487	87482	87488	83	113	10,5	26	11	19,3	16	40	60	50	15600	4650	17250



Oval flanged bearing supports


Serie **UCFL/C**
Serie **MUCFL/C**




 On request covers in polypropylene blue Ral 5015 colour.

 On request covers in polypropylene orange Ral 2004 colour.

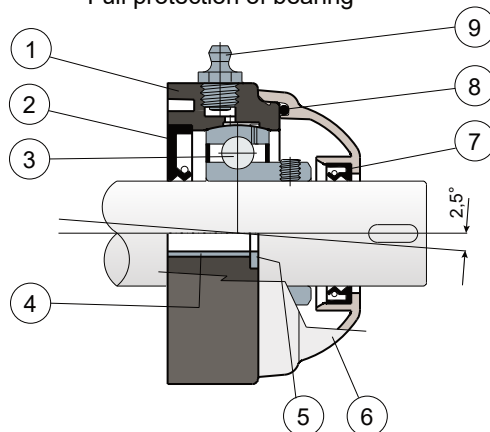
 On request covers in polypropylene red Ral 3000 colour.

 Self-aligning bearings with Solid body: completely closed surface to guarantee the max hygiene.

 Long Life bearings: life long lubrication.

NEW

Full protection of bearing



- 1) Housing made out of black or white colour polyamide reinforced with glass fibers.
- 2) Back gasket made out of NBR rubber for turning shaft seal.
- 3) Chrome steel or stainless steel bearing AISI 440.
- 4) Spacer for fixing reinforcement made out of stainless steel AISI 304.
- 5) UNI 6592 support washer made out of stainless steel AISI 304.
- 6) Protection cover made out of polypropylene (grey colour Ral 7042).
- 7) Front gasket made out of NBR rubber for turning shaft seal.
- 8) OR gasket made out of NBR rubber
- 9) Greaser, straight type with 1/8 gas thread, made out of nickel-plated brass (absent in the versions with Long Life bearing).

N.B.: In the Long Life version, the greaser is absent and the lubrication channel is protected by a rubber cap.

Support dimensions respect ISO 3228 set of rules. Maximum shaft alignment error 2,5°
For further information please contact our technical office or sales department.

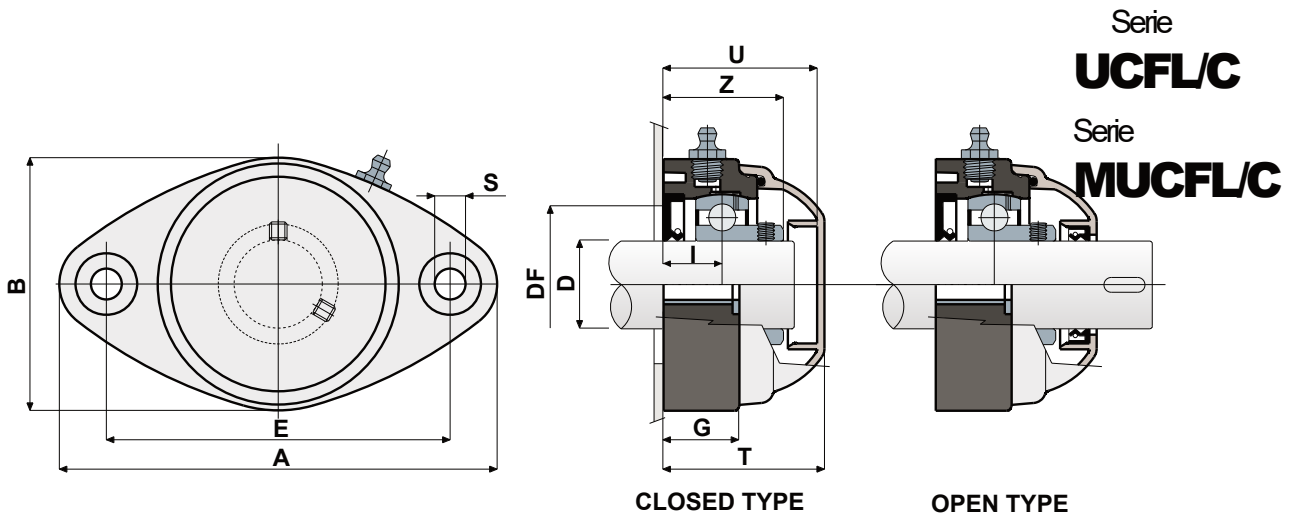
MATERIALS: Housing is made out of PA + glass fiber in black or white colours; chrome steel or stainless steel bearing; greaser made out of nickel plated brass; reinforcement bushings and washers made out of stainless steel AISI 304; gaskets made out of NBR rubber; cover made out of grey RAL 7042 colour polypropylene.
FEATURES: Full protection of bearing against external agents. Assembly with not shouldered shafts. Maximum shaft alignment error 2.5°. **BOX QUANTITY:** 8 pieces.

ON REQUEST: Versions with body in polypropylene + glass fiber and antibacterial additive; supports with eccentric collar shaft locking with chrome steel bearing; protection covers in different colours and with customized brand; box quantity according to your request; Viton gaskets.



Oval flanged bearing supports

Technical data



CHROME STEEL BEARING																							
D	SERIE	CODES								DIMENSIONS (mm)										Bearing load (N)		Bearing support load	
		Standard bearing				Long Life bearing				E	A	B	S	G	I	Z	U	T	DF		C	C0	(N)
		Black		White		Black		White											Max	Min			
		Closed	Open	Closed	Open	Closed	Open	Closed	Open														
20	UCFL204 C	80262	80263	84644	84645	83617	83616	89636	89637	90	118	64	10,5	19	15,5	33,5	44	46,5	45	40	12800	6600	8500
20	MUCFL204 C	82858	82857	84676	84677	89628	89629	89638	89639	90	122	86	10,5	19	16	34	44	46,5	45	40	12800	6600	8500
20	MUCFL204 C	87211	87212	87213	87214	87655	87654	89640	89641	76,5	100	70	10,5	11	15,5	33,5	44	46,5	45	40	12800	6600	8500
25	UCFL205 C	80067	80071	84646	84647	83614	83615	85388	89642	99	131	72	10,5	22	17,4	37	47	49,5	50	45	14000	7800	10000
25	MUCFL205 C	82860	82859	84678	84679	89630	89631	89643	89644	90	122	86	10,5	19	15,5	35	44	46,5	50	45	14000	7800	10000
30	UCFL206 C	80068	80072	84648	84649	87209	87210	89645	89646	117	149	86	10,5	26	20	42	53	56	60	50	19500	11300	13000
30	MUCFL206 C	82409	82408	84680	84681	88352	88661	89647	89648	90	122	86	10,5	19	13	35	52	54,5	60	50	19500	11300	13000
35	UCFL207 C	80069	80073	84650	84651	89632	87442	89649	89650	130	163	94	10,5	26	20	45	57	59	70	55	25500	15300	14000
35	MUCFL207 C	84014	83989	84682	84683	89633	89634	89651	89652	117	147	112	10,5	27	20	45,3	57	59,6	70	55	25500	15300	14000
40	UCFL208 C	85217	85218	85221	85222	87394	87395	89653	89654	144	172	100	10,5	27	19,5	48,5	65,5	71	78	65	32500	19800	15000
40	MUCFL208 C	84015	83990	84684	84685	89635	88873	89655	89656	117	147	112	10,5	27	20	48,5	65,5	68	78	65	32500	19800	15000

STAINLESS STEEL BEARING AISI 440																							
D	SERIE	CODES								DIMENSIONS (mm)										Bearing load (N)		Bearing support load	
		Standard bearing				Long Life bearing				E	A	B	S	G	I	Z	U	T	DF		C	C0	(N)
		Black		White		Black		White											Max	Min			
		Closed	Open	Closed	Open	Closed	Open	Closed	Open														
20	UCFL204 C	81062	81063	84652	84653	85527	85528	89671	89672	90	118	64	10,5	19	15,5	33,5	44	46,5	45	40	8300	6600	8500
20	MUCFL204 C	82870	82869	84686	84687	89657	89658	89673	89674	90	122	86	10,5	19	16	34	44	46,5	45	40	8300	6600	8500
20	MUCFL204 C	87221	87222	87223	87224	89659	89660	89675	89676	76,5	100	70	10,5	11	15,5	33,5	44	46,5	45	40	8300	6600	8500
25	UCFL205 C	81064	81065	84654	84655	85531	85532	89677	89678	99	131	72	10,5	22	17,4	37	47	49,5	50	45	9150	7800	10000
25	MUCFL205 C	82868	82867	84688	84689	89661	89662	89679	89680	90	122	86	10,5	19	15,5	35	44	46,5	50	45	9150	7800	10000
30	UCFL206 C	81066	81067	84656	84657	85525	85526	89681	89682	117	149	86	10,5	26	20	42	53	56	60	50	12500	11200	13000
30	MUCFL206 C	82767	82766	84690	84691	89663	89664	89683	89684	90	122	86	10,5	19	13	35	52	54,5	60	50	12500	11200	13000
35	UCFL207 C	81068	81069	84658	84659	86162	86167	89685	89686	130	163	94	10,5	26	20	45	57	59	70	55	16600	15300	14000
35	MUCFL207 C	84017	84018	84692	84693	89665	89666	89687	89688	117	147	112	10,5	27	20	45,3	57	59,6	70	55	16600	15300	14000
40	UCFL208 C	85219	85220	85223	85224	89667	89668	89689	89690	144	172	100	10,5	27	19,5	48,5	65,5	71	78	65	20000	19000	15000
40	MUCFL208 C	84016	83991	84694	84695	89669	89670	89691	89692	117	147	112	10,5	27	20	48,5	65,5	68	78	65	20000	19000	15000

VERSIONS WITH MEASURES IN INCHES

CHROME STEEL BEARING																									
D	SERIE	CODES								DIMENSIONS (mm)										Bearing load (N)		Bearing support load			
		Standard bearing				Long Life bearing				E	A	B	S	G	I	Z	U	T	DF		C	C0	(N)		
		Black		White		Black		White											Max	Min					
		Closed	Open	Closed	Open	Closed	Open	Closed	Open																
1"	25,4	UCFL205	C	84506	84507	84891	84892	89474	89475	89492	89494	99	131	72	10,5	22	17,4	37	47	49,5	50	45	14000	7800	10000
1"	25,4	MUCFL205	C	84513	84539	84979	84980	89478	89481	89693	89694	90	122	86	10,5	19	15,5	35	44	46,5	50	45	14000	7800	10000
1 1/4"	31,75	UCFL206	C	84508	84509	84893	84894	89483	89485	89695	89696	117	149	86	10,5	26	20	42	53	56	60	50	19500	11300	13000
1 1/4"	31,75	MUCFL206	C	84516	84540	84981	84982	89488	89490	89697	89698	90	122	86	10,5	19	13	35	52	54,5	60	50	19500	11300	13000

Inch dimensions conform to the British Imperial system



Oval flanged bearing supports (S Solid)

Serie **UCFL/C**



On request covers in polypropylene blue Ral 5015 colour.

On request covers in polypropylene orange Ral 2004 colour.

On request covers in polypropylene red Ral 3000 colour.



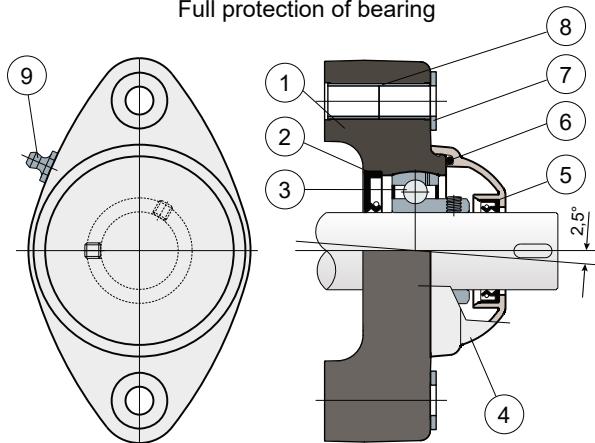
Self-aligning bearings with Solid body: completely closed surface to guarantee the max hygiene.



Long Life bearings: life long lubrication.



Full protection of bearing



- 1) Housing made out of blue Ral 5005 colour polyamide reinforced with glass fibers.
- 2) Back gasket made out of NBR rubber for turning shaft seal.
- 3) Chrome steel or stainless steel bearing AISI 440.
- 4) Protection cover made out of polypropylene (orange Ral 2004 colour).
- 5) Front gasket made out of NBR rubber for turning shaft seal.
- 6) OR gasket made out of NBR rubber.
- 7) UNI 6592 support washer made out of stainless steel AISI 304.
- 8) Spacer for fixing reinforcement made out of stainless steel AISI 304.
- 9) Greaser, straight type with 1/8 gas thread, made out of stainless steel AISI 303 (absent in the versions with Long Life bearing).

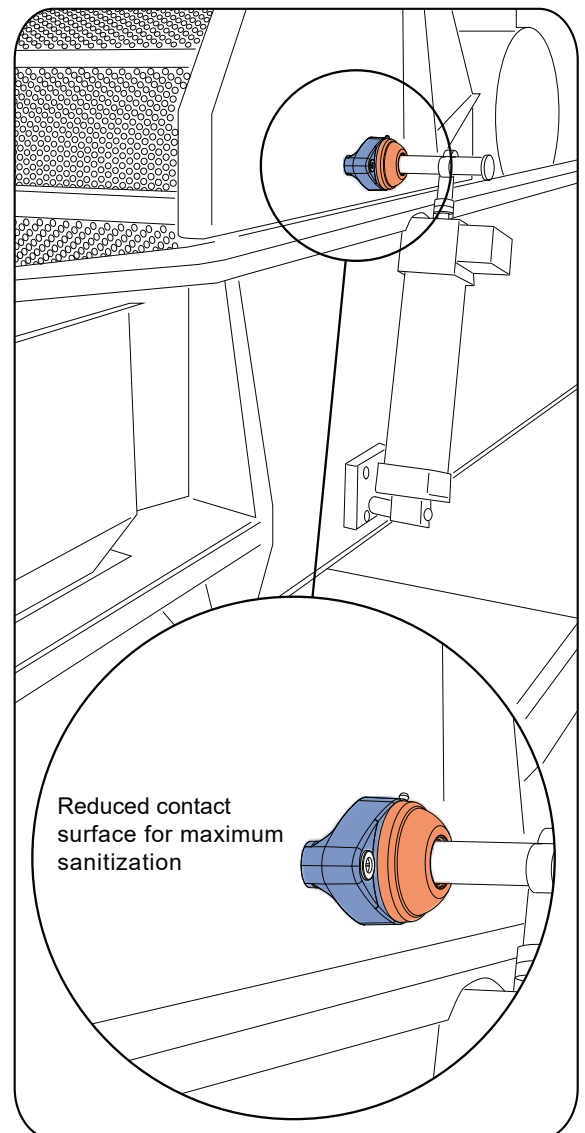
N.B.: In the Long Life version, the greaser is absent and the lubrication channel is protected by a rubber cap.

Support dimensions respect ISO 3228 set of rules
 Maximum shaft alignment error 2,5°
 For further information please contact our technical office or sales department.

MATERIALS: Support made out of blue Ral 5005 colour PA + glass fiber; chrome steel or stainless steel bearing; greaser made out of stainless steel; reinforcement bushings and washers made out of stainless steel AISI 304; gaskets made out of NBRubber; cover made out of orange Ral 2004 colour polypropylene.
FEATURES: Full protection of bearing against external agents. Assembly with not shouldered shafts. The reduced contact surface of the base of the support allows maximum sanitification. Maximum shaft alignment error 2.5°.
BOX QUANTITY: 8 pieces.

ON REQUEST: Versions with body in polypropylene + glass fiber and antibacterial additive; supports with eccentric collar shaft locking with chrome steel bearing; protection covers in different colours and with customized brand; box quantity according to your request; Viton gaskets.

Example of application

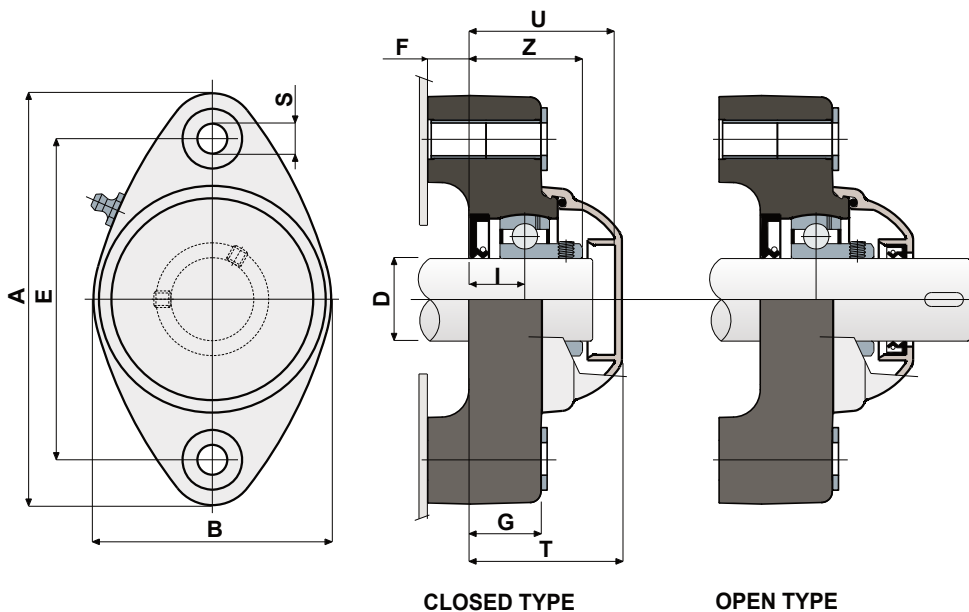




Oval flanged bearing supports (S Solid)

Technical data

Serie **UCFL/C**



		CHROME STEEL BEARING																
D	SERIE	CODES				DIMENSIONS(mm)								Bearing load (N)		Bearing support load		
		Standard bearing		Long Life bearing		E	A	B	S	F	G	I	Z	U	T	C	C0	(N)
		Blue Ral 5005																
		Closed	Open	Closed	Open													
25	UCFL205 C S	88633	88635	89699	89700	99	131	72	10,5	15	22	17,4	37	47	49,5	14000	7800	10000
30	UCFL206 C S	87425	87426	89701	89702	117	149	86	10,5	15	26	20	42	53	56	19500	11300	13000

		STAINLESS STEEL BEARING AISI 440																
D	SERIE	CODES				DIMENSIONS(mm)								Bearing load (N)		Bearing support load		
		Standard bearing		Long Life bearing		E	A	B	S	F	G	I	Z	U	T	C	C0	(N)
		Blue Ral 5005																
		Closed	Open	Closed	Open													
25	UCFL205 C S	88634	88636	89703	89704	99	131	72	10,5	15	22	17,4	37	47	49,5	9150	7800	10000
30	UCFL206 C S	87749	87750	89705	89706	117	149	86	10,5	15	26	20	42	53	56	12500	11200	13000



Oval flanged bearing supports

Serie **UCFL/CX**
Serie **MUCFL/CX**



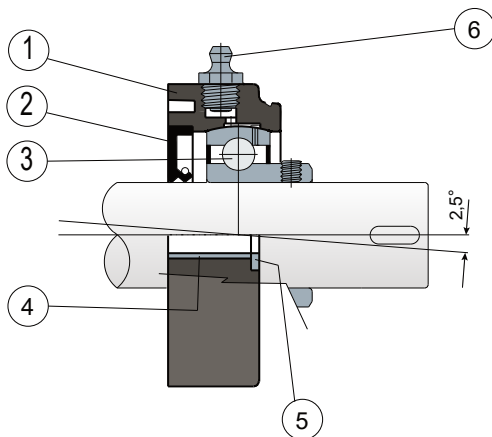
Self-aligning bearings with Solid body: completely closed surface to guarantee the max hygiene.



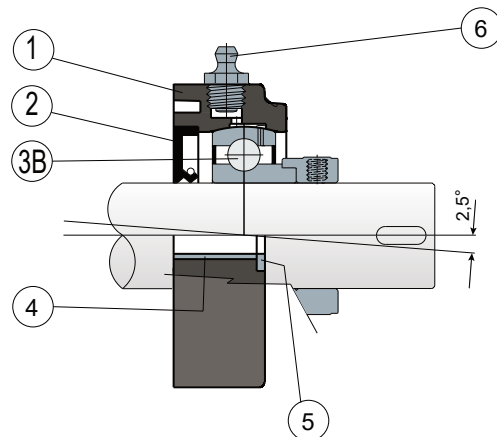
Long Life bearings: life long lubrication.



Grub screws shaft locking - Without protection cover



Eccentric collar shaft locking - Without protection cover



- 1) Housing made out of black, white or blue Ral 5005 colour polyamide reinforced with glass fibers.
- 2) Back gasket made out of NBR rubber for turning shaft seal.
- 3) Chrome steel or stainless steel bearing AISI 440. 3B) Chrome steel bearing.
- 4) Spacer for fixing reinforcement made out of stainless steel AISI 304.
- 5) UNI 6592 support washer made out of stainless steel AISI 304.
- 6) Greaser, straight type with 1/8 gas thread, made out of nickel-plated brass (absent in the versions with Long Life bearing).

NOTE: The protection cover can be ordered separately as an accessory; in the Long Life version, the greaser is absent and the lubrication channel is protected by a rubber cap.

Support dimensions respect ISO 3228 set of rules. Maximum shaft alignment error 2,5° For further information please contact our technical office or sales department.

MATERIALS: Housing is made out of PA + glass fiber in black, white or blue Ral 5005 colours; bearing with grub screws shaft locking in chrome steel or stainless steel; bearing with eccentric collar shaft locking in chrome steel; greaser made out of nickel plated brass; reinforcement bushings and washers made out of stainless steel AISI 304; gaskets made out of NBRrubber; cover made out of polypropylene grey Ral 7042, blue Ral 5015, orange Ral 2004 or red Ral 3000 colour.

FEATURES: The protection cover can be ordered separately as an accessory. Assembly with not shouldered shafts. Maximum shaft alignment error 2.5°. BOX QUANTITY: 8 pieces.

ON REQUEST: Versions with body in polypropylene + glass fiber and antibacterial additive; protection covers in different colours and with customized brand; box quantity according to your request; Viton gaskets.



Oval flanged bearing supports

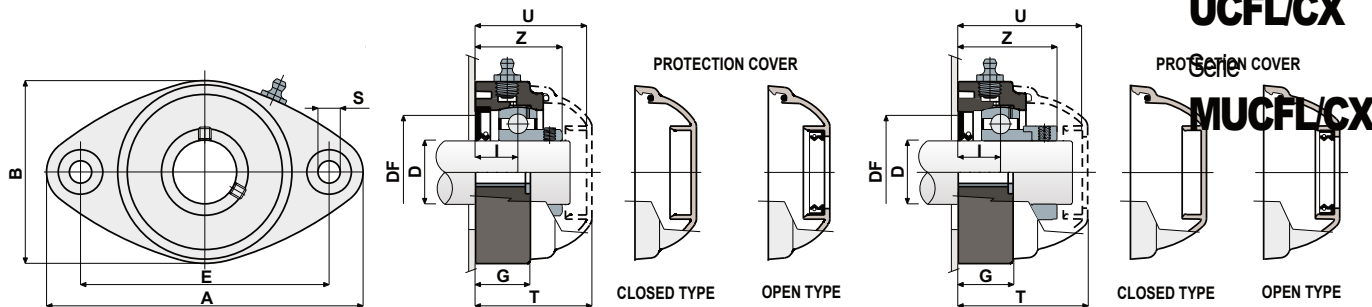
Technical data

Serie

UCFL/CX

GRUB SCREWS SHAFT LOCKING

ECCENTRIC COLLAR SHAFT LOCKING



Serie
MUCFL/CX

GRUB SCREWS SHAFT LOCKING

D	SERIE	CHROME STEEL BEARING														COVER CODES													
		Support CODES						DIMENSIONS (mm)								Bearing load (N) Bearingsupportload			REY RAL7042		BLUERAL5015		ORANGERAL2004		RED RAL3000				
		Standard bearing		Long Life bearing		E	A	B	S	G	I	Z	U	T	DF		C	C0	(N)	Closed	Open	Closed	Open	Closed	Open	Closed	Open		
20	UCFL204 CX	80264	84660	87166	89707										89712	89723												90	118
20	MUCFL204 CX	83035	84696	87701	89708	89713	89724	90	122	86	10,5	19	16	34	44	46,5	45	40	12800	6600	8500	80254	80255	87259	83901	82305	82306	87540	87541
20	MUCFL204 CX	87215	87216	87702	89709	89714	89725	76,5	100	70	10,5	11	15,5	33,5	44	46,5	45	40	12800	6600	8500	80254	80255	87259	83901	82305	82306	87540	87541
25	UCFL205 CX	80181	84661	87167	80483	89715	89726	99	131	72	10,5	22	17	36	47	49	50	45	14000	7800	10000	80075	80076	85384	85385	82276	82277	87542	87543
25	MUCFL205 CX	83036	84697	87703	85343	89716	89727	90	122	86	10,5	19	15,5	35	44	46,5	50	45	14000	7800	10000	80075	80076	85384	85385	82276	82277	87542	87543
30	UCFL206 CX	80182	84662	87433	83908	89717	89728	117	149	86	10,5	26	20	41	54	56	60	50	19500	11300	13000	80011	80053	84100	80354	82278	82279	87531	87530
30	MUCFL206 CX	80540	84698	87704	87456	89718	89729	90	122	86	10,5	19	13	35	52	54,5	60	50	19500	11300	13000	82765	82764	87270	87272	87559	87560	87570	87571
35	UCFL207 CX	80183	84663	87434	89710	89719	89730	130	163	94	10,5	26	20	45	57	59	70	55	25500	15300	14000	80077	80078	80969	80275	82284	82285	87544	87545
35	MUCFL207 CX	83992	84699	87705	89711	89720	89731	117	147	112	10,5	27	20	45,3	57	59,6	70	55	25500	15300	14000	80077	80078	80969	80275	82284	82285	87544	87545
40	UCFL208 CX	85225	85227	87435	89720	89721	89732	144	172	100	10,5	27	19,5	48,5	65,5	71	78	65	32500	19800	15000	80256	80257	83088	86722	82280	82281	87528	82804
40	MUCFL208 CX	83993	84700	87706	84234	89722	89733	117	147	112	10,5	27	19,5	48,5	65,5	68	78	65	32500	19800	15000	80256	80257	83088	86722	82280	82281	87528	82804

ECCENTRIC COLLAR SHAFT LOCKING

D	SERIE	CHROME STEEL BEARING														COVER CODES									
		Support CODES						DIMENSIONS (mm)								Bearing load (N) Bearingsupportload			GREY RAL7042						
		Standard bearing		Long Life bearing		E	A	B	S	G	I	Z	U	T	DF		C	C0	(N)	Closed	Open				
20	UCFL204 CX	88488	88497	88508	89734										89745	89756						90	118	64	10,5
20	MUCFL204 CX	88490	88498	88509	89735	89746	89757	90	122	86	10,5	19	16	39,5	51	53,5	45	40	12800	6600	8500	88371	88372		
20	MUCFL204 CX	88490	88499	88510	89736	89747	89758	76,5	100	70	10,5	11	15,5	39	50,9	53,4	45	40	12800	6600	8500	88371	88372		
25	UCFL205 CX	88491	88500	88511	89737	89748	89759	99	131	72	10,5	22	17,4	40,9	52,9	55,4	50	45	14000	7800	10000	88373	88374		
25	MUCFL205 CX	88492	88501	88512	89738	89749	89760	90	122	86	10,5	19	15,5	39	50	52,4	50	45	14000	7800	10000	88373	88374		
30	UCFL206 CX	82490	88502	88513	89739	89750	89761	117	149	86	10,5	26	20	47,4	59,4	61,9	60	50	19500	11300	13000	88375	88376		
30	MUCFL206 CX	88493	88503	88514	89740	89751	89762	90	122	86	10,5	19	13	39,7	52	54,5	60	50	19500	11300	13000	82765	82764		
35	UCFL207 CX	84255	88504	88515	89741	89752	89763	130	163	94	10,5	26	20	49,3	61,3	63,8	70	55	25500	15300	14000	88377	88378		
35	MUCFL207 CX	88494	88505	88516	89742	89753	89764	117	147	112	10,5	27	20	49,3	62	64,4	70	55	25500	15300	14000	88377	88378		
40	UCFL208 CX	88495	88506	88517	89743	89754	89765	144	172	100	10,5	27	19,5	52,2	65	68	78	65	32500	19800	15000	80256	80257		
40	MUCFL208 CX	88496	88507	88518	89744	89755	89766	117	147	112	10,5	27	19,5	52,2	65,5	68	78	65	32500	19800	15000	80256	80257		

GRUB SCREWS SHAFT LOCKING

D	SERIE	STAINLESS STEEL BEARING AISI 440														COVER CODES													
		Support CODES						DIMENSIONS (mm)								Bearing load (N) Bearingsupportload			REY RAL7042		BLUERAL5015		ORANGERAL2004		RED RAL3000				
		Standard bearing		Long Life bearing		E	A	B	S	G	I	Z	U	T	DF		C	C0	(N)	Closed	Open	Closed	Open	Closed	Open	Closed	Open		
20	UCFL204 CX	81053	84664	87707	89767										85512	88319												90	118
20	MUCFL204 CX	83045	84701	87708	89768	89776	89784	90	122	86	10,5	19	16	34	44	46,5	45	40	8300	6600	8500	80254	80255	87259	83901	82305	82306	87540	87541
20	MUCFL204 CX	87225	87226	87709	89769	89777	89785	76,5	100	70	10,5	11	15,5	33,5	44	46,5	45	40	8300	6600	8500	80254	80255	87259	83901	82305	82306	87540	87541
25	UCFL205 CX	81054	84665	87710	85325	85634	89786	99	131	72	10,5	22	17	36	47	49	50	45	9150	7800	10000	80075	80076	85384	85385	82276	82277	87542	87543
25	MUCFL205 CX	83046	84702	87711	89770	89778	89787	90	122	86	10,5	19	15,5	35	44	46,5	50	45	9150	7800	10000	80075	80076	85384	85385	82276	82277	87542	87543
30	UCFL206 CX	81055	84666	87712	88437	85709	89788	117	149	86	10,5	26	20	41	54	56	60	50	12500	11200	13000	80011	80053	84100	80354	82278	82279	87531	87530
30	MUCFL206 CX	83047	84703	87713	89771	89779	89789	90	122	86	10,5	19	13	35	52	54,5	60	50	12500	11200	13000	82765	82764	87270	87272	87559	87560	87570	87571
35	UCFL207 CX	81056	84667	87714	89772	89780	89790	130	163	94	10,5	26	20	45	57	59	70	55	16600	15300	14000	80077	80078	80969	80275	82284	82285	87544	87545
35	MUCFL207 CX	84019	84704	87715	89773	89781	89791	117	147	112	10,5	27	20	45,3	57	59,6	70	55	16600	15300	14000	80077	80078	80969	80275	82284	82285	87544	87545
40	UCFL208 CX	85226	85228	87716	89774	89782	89792	144	172	100	10,5	27	19,5	48,5	65,5	71	78	65	20000	19000	15000	80256	80257	83088	86722	82280	82281	87528	82804
40	MUCFL208 CX	83994	84705	87717	89775	89783	89793	117	147	112	10,5	27	19,5	48,5	65,5	68	78	65	20000	19000	15000	80256	80257	83088	86722	82280	82281	87528	82804

GRUB SCREWS SHAFT LOCKING - VERSIONS WITH MEASURES IN INCHES

D	SERIE	CHROME STEEL BEARING														COVER CODES														
		Support CODES						DIMENSIONS (mm)								Bearing load (N) Bearingsupportload			REY RAL7042		BLUERAL5015		ORANGERAL2004		RED RAL3000					
		Standard bearing		Long Life bearing		E	A	B	S	G	I	Z	U	T	DF		C	C0	(N)	Closed	Open	Closed	Open	Closed	Open	Closed	Open			
1"	25,4	UCFL205 CX	84510	84899	87719										89794	89798												89802	99	131
1"	25,4	MUCFL205 CX	84511	84983	87720																									



Oval flanged bearing supports (S Solid)

Serie **UCFL/CX**
Serie **MUCFL/CX**

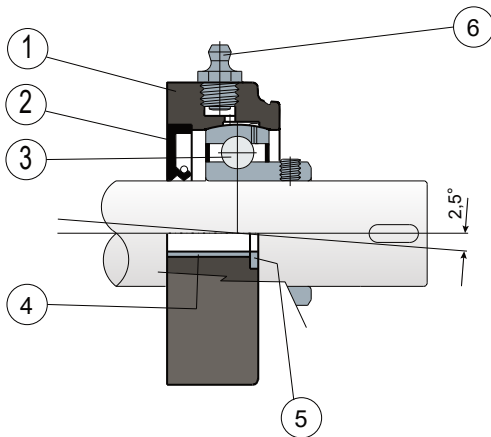


Self-aligning bearings with Solid body: completely closed surface to guarantee the max hygiene.

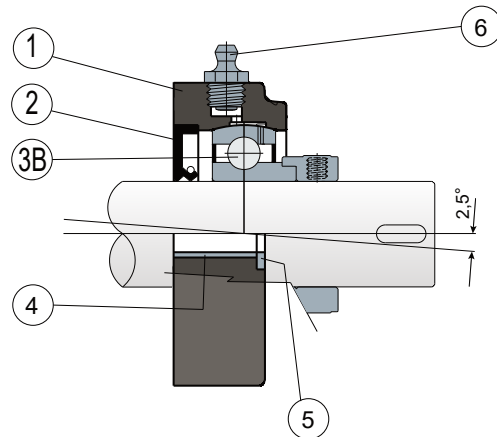


Long Life bearings: life long lubrication.

Grub screws shaft locking - Without protection cover



Eccentric collar shaft locking - Without protection cover



- 1) Housing made out of blue Ral 5005 colour polyamide reinforced with glass fibers.
- 2) Back gasket made out of NBR rubber for turning shaft seal.
- 3) Chrome steel or stainless steel bearing AISI 440. 3B) Chrome steel bearing.
- 4) Spacer for fixing reinforcement made out of stainless steel AISI 304.
- 5) UNI 6592 support washer made out of stainless steel AISI 304.
- 6) Greaser, straight type with 1/8 gas thread, made out of nickel-plated brass (absent in the versions with Long Life bearing).

NOTE: The protection cover can be ordered separately as an accessory; in the Long Life version, the greaser is absent and the lubrication channel is protected by a rubber cap.

Support dimensions respect ISO 3228 set of rules. Maximum shaft alignment error 2,5° For further information please contact our technical office or sales department.

MATERIALS: Housing is made out of PA + glass fiber in blue Ral 5005 colour; bearing with grub screws shaft locking in chrome steel or stainless steel; bearing with eccentric collar shaft locking in chrome steel; greaser made out of nickel plated brass; reinforcement bushings and washers made out of stainless steel AISI 304; gaskets made out of NBR rubber; cover made out of polypropylene grey Ral 7042, blue Ral 5015, orange Ral 2004 or red Ral 3000 colour.

FEATURES: The protection cover can be ordered separately as an accessory. This part is moulded without internal cavities in order to obtain the best sanification. Assembly with not shouldered shafts. Maximum shaft alignment error 2.5°.

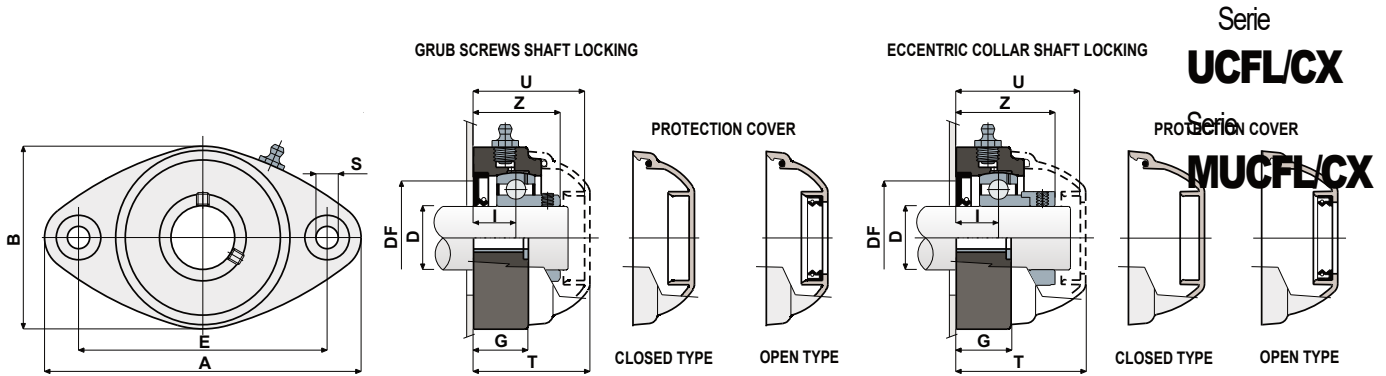
BOX QUANTITY: 8 pieces.

ON REQUEST: Versions with body in polypropylene + glass fiber and antibacterial additive; housing in black colour polyamide reinforced with glass fibers; protection covers in different colours and with customized brand; box quantity according to your request; Viton gaskets; available without NBRrubber back gasket for turning shaft seal.



Oval flanged bearing supports (Solid)

Technical data



Serie
UCFL/CX
Serie
MUCFL/CX

GRUB SCREWS SHAFT LOCKING

D	SERIE	Support CODES		CHROME STEEL BEARING											COVER CODES											
		Standard bearing	Long Life bearing	DIMENSIONS (mm)											Bearing load (N)		Bearingsupportload		GREY RAL 7042		BLUERAL 5015		ORANGERAL 2004		RED RAL 3000	
				E	A	B	S	G	I	Z	U	T	DF	Max	Min	C	C0	(N)	Closed	Open	Closed	Open	Closed	Open	Closed	Open
20	UCFL204 CX	89180	89806	90	118	64	10,5	19	15,5	33,5	44	46,5	45	40	12800	6600	8500	80254	80255	87259	83901	82305	82306	87540	87541	
20	MUCFL204 CX	89181	89807	90	122	86	10,5	19	16	34	44	46,5	45	40	12800	6600	8500	80254	80255	87259	83901	82305	82306	87540	87541	
20	MUCFL204 CX	87702	89725	76,5	100	70	10,5	11	15,5	33,5	44	46,5	45	40	12800	6600	8500	80254	80255	87259	83901	82305	82306	87540	87541	
25	UCFL205 CX	89182	89808	99	131	72	10,5	22	17	36	47	49	50	45	14000	7800	10000	80075	80076	85384	85385	82276	82277	87542	87543	
25	MUCFL205 CX	89183	89809	90	122	86	10,5	19	15,5	35	44	46,5	50	45	14000	7800	10000	80075	80076	85384	85385	82276	82277	87542	87543	
30	UCFL206 CX	89184	89810	117	149	86	10,5	26	20	41	54	56	60	50	19500	11300	13000	80011	80053	84100	80354	82278	82279	87531	87530	
30	MUCFL206 CX	89185	89811	90	122	86	10,5	19	13	35	52	54,5	60	50	19500	11300	13000	82765	82764	87270	87272	87559	87560	87570	87571	
35	UCFL207 CX	89186	89812	130	163	94	10,5	26	20	45	57	59	70	65	25500	15300	14000	80077	80078	80969	80275	82284	82285	87544	87545	
35	MUCFL207 CX	89187	89813	117	147	112	10,5	27	20	45,3	57	59,6	70	55	25500	15300	14000	80077	80078	80969	80275	82284	82285	87544	87545	
40	UCFL208 CX	89188	89814	144	172	100	10,5	27	19,5	48,5	65,5	71	78	65	32500	19800	15000	80256	80257	83088	86722	82280	82281	87528	82804	
40	MUCFL208 CX	89189	89815	117	147	112	10,5	27	19,5	48,5	65,5	68	78	65	32500	19800	15000	80256	80257	83088	86722	82280	82281	87528	82804	

ECCENTRIC COLLAR SHAFT LOCKING

D	SERIE	Support CODES		CHROME STEEL BEARING											COVER CODES											
		Standard bearing	Long Life bearing	DIMENSIONS (mm)											Bearing load (N)		Bearingsupportload		GREY RAL 7042							
				E	A	B	S	G	I	Z	U	T	DF	Max	Min	C	C0	(N)	Closed	Open						
20	UCFL204 CX	89190	89816	90	118	64	10,5	19	15,5	39	51	53,5	45	40	12800	6600	8500	88371	88372							
20	MUCFL204 CX	89191	89817	90	122	86	10,5	19	16	39,5	51	53,5	45	40	12800	6600	8500	88371	88372							
20	MUCFL204 CX	88510	89758	76,5	100	70	10,5	11	15,5	39	50,9	53,4	45	40	12800	6600	8500	88371	88372							
25	UCFL205 CX	89192	89818	99	131	72	10,5	22	17,4	40,9	52,9	55,4	50	45	14000	7800	10000	88373	88374							
25	MUCFL205 CX	89193	89819	90	122	86	10,5	19	15,5	39	50	52,4	50	45	14000	7800	10000	88373	88374							
30	UCFL206 CX	89194	89820	117	149	86	10,5	26	20	47,4	59,4	61,9	60	50	19500	11300	13000	88375	88376							
30	MUCFL206 CX	89195	89821	90	122	86	10,5	19	13	39,7	52	54,5	60	50	19500	11300	13000	82765	82764							
35	UCFL207 CX	89196	89822	130	163	94	10,5	26	20	49,3	61,3	63,8	70	55	25500	15300	14000	88377	88378							
35	MUCFL207 CX	89197	89823	117	147	112	10,5	27	20	49,3	62	64,4	70	55	25500	15300	14000	88377	88378							
40	UCFL208 CX	89198	89824	144	172	100	10,5	27	19,5	52,2	65	68	78	65	32500	19800	15000	80256	80257							
40	MUCFL208 CX	89199	89825	117	147	112	10,5	27	19,5	52,2	65,5	68	78	65	32500	19800	15000	80256	80257							

GRUB SCREWS SHAFT LOCKING

D	SERIE	Support CODES		STAINLESS STEEL BEARING AISI 440											COVER CODES											
		Standard bearing	Long Life bearing	DIMENSIONS (mm)											Bearing load (N)		Bearingsupportload		GREY RAL 7042		BLUERAL 5015		ORANGERAL 2004		RED RAL 3000	
				E	A	B	S	G	I	Z	U	T	DF	Max	Min	C	C0	(N)	Closed	Open	Closed	Open	Closed	Open	Closed	Open
20	UCFL204 CX	89200	89826	90	118	64	10,5	19	15,5	33,5	44	46,5	45	40	8300	6600	8500	80254	80255	87259	83901	82305	82306	87540	87541	
20	MUCFL204 CX	89201	89827	90	122	86	10,5	19	16	34	44	46,5	45	40	8300	6600	8500	80254	80255	87259	83901	82305	82306	87540	87541	
20	MUCFL204 CX	87709	89785	76,5	100	70	10,5	11	15,5	33,5	44	46,5	45	40	8300	6600	8500	80254	80255	87259	83901	82305	82306	87540	87541	
25	UCFL205 CX	89202	89828	99	131	72	10,5	22	17	36	47	49	50	45	9150	7800	10000	80075	80076	85384	85385	82276	82277	87542	87543	
25	MUCFL205 CX	89203	89829	90	122	86	10,5	19	15,5	35	44	46,5	50	45	9150	7800	10000	80075	80076	85384	85385	82276	82277	87542	87543	
30	UCFL206 CX	89204	89830	117	149	86	10,5	26	20	41	54	56	60	50	12500	11200	13000	80011	80053	84100	80354	82278	82279	87531	87530	
30	MUCFL206 CX	89205	89831	90	122	86	10,5	19	13	35	52	54,5	60	50	12500	11200	13000	82765	82764	87270	87272	87559	87560	87570	87571	
35	UCFL207 CX	89206	89832	130	163	94	10,5	26	20	45	57	59	70	65	16600	15300	14000	80077	80078	80969	80275	82284	82285	87544	87545	
35	MUCFL207 CX	89207	89833	117	147	112	10,5	27	20	45,3	57	59,6	70	55	16600	15300	14000	80077	80078	80969	80275	82284	82285	87544	87545	
40	UCFL208 CX	89208	89834	144	172	100	10,5	27	19,5	48,5	65,5	71	78	65	20000	19000	15000	80256	80257	83088	86722	82280	82281	87528	82804	
40	MUCFL208 CX	89209	89835	117	147	112	10,5	27	19,5	48,5	65,5	68	78	65	20000	19000	15000	80256	80257	83088	86722	82280	82281	87528	82804	

GRUB SCREWS SHAFT LOCKING - VERSIONS WITH MEASURES IN INCHES

D	SERIE	Support CODES		CHROME STEEL BEARING											COVER CODES											
		Standard bearing	Long Life bearing	DIMENSIONS (mm)											Bearing load (N)		Bearingsupportload		REY RAL 7042		BLUERAL 5015		ORANGERAL 2004		RED RAL 3000	
				E	A	B	S	G	I	Z	U	T	DF	Max	Min	C	C0	(N)	Closed	Open	Closed	Open	Closed	Open	Closed	Open
1" 25,4	UCFL205 CX	89223	89836	99	131	72	10,5	22	17	36	47	49	50	45	14000	7800	10000	80075	85202	85384	87273	82276	87660	87542	87661	
1" 25,4	MUCFL205 CX	89224	89837	90	122	86	10,5	19	15,5	35	44	46,5	50	45	14000	7800	10000	80075	85202	85384	87273	82276	87660	87542	87661	
1"14 31,75	UCFL206 CX	89225	89838	117	149	86	10,5	26	20	41	54	56	60	50	19500	11300	13000	80011	85203	84100	87274	82278	87661	87531	87662	
1"14 31,75	MUCFL206 CX	89226	89839	90	122	86	10,5	19	13	35	52	54,5	60	50	19500	11300	13000	82765	85206	87270	87276	87559	87666	87570	87667	

Inch dimensions conform to the British Imperial system



Oval flanged bearing supports (S Solid)

Serie **UCFL/CX**



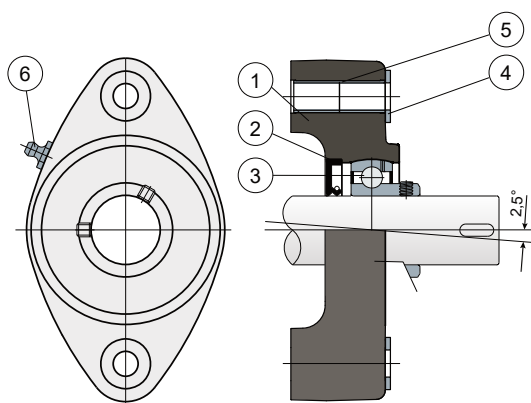
Self-aligning bearings with Solid body: completely closed surface to guarantee the max hygiene.



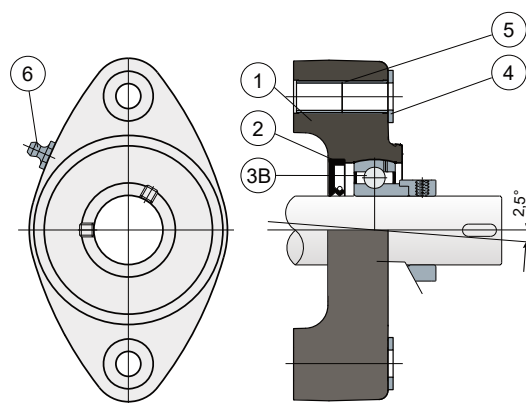
Long Life bearings: life long lubrication.



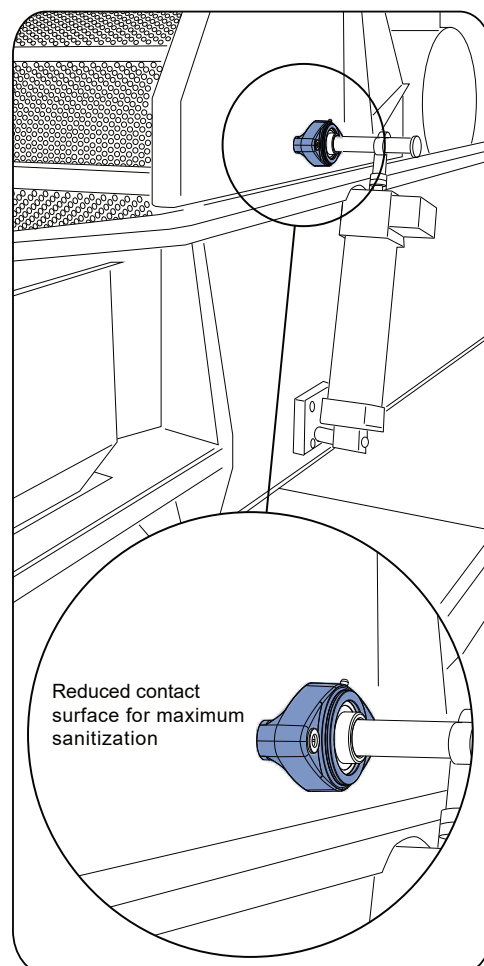
Grub screws shaft locking - Without protection cover



Eccentric collar shaft locking - Without protection cover



Example of application



- 1) Housing made out of blue Ral 5005 colour polyamide reinforced with glass fibers.
- 2) Back gasket made out of NBR rubber for turning shaft seal.
- 3) Chrome steel or stainless steel bearing AISI 440. 3B) Chrome steel bearing.
- 4) UNI 6592 support washer made out of stainless steel AISI 304.
- 5) Spacer for fixing reinforcement made out of stainless steel AISI 304.
- 6) Greaser, straight type with 1/8 gas thread, made out of stainless steel AISI 303 (absent in the versions with Long Life bearing).

NOTE: The protection cover can be ordered separately as an accessory; in the Long Life version, the greaser is absent and the lubrication channel is protected by a rubber cap.

Support dimensions respect ISO 3228 set of rules. Maximum shaft alignment error 2,5°
For further information please contact our technical office or sales department.

MATERIALS: Support made out of blue Ral 5005 colour PA + glass fiber; bearing with grub screws shaft locking in chrome steel or stainless steel; bearing with eccentric collar shaft locking in chrome steel; greaser made out of stainless steel; reinforcement bushings and washers made out of stainless steel AISI 304; gaskets made out of NBR rubber; cover made out of polypropylene grey Ral 7042, blue Ral 5015, orange Ral 2004, red Ral 3000 colour.

FEATURES: The protection cover can be ordered separately as an accessory. Assembly with not shouldered shafts. The reduced contact surface of the base of the support allows maximum sanitification. Maximum shaft alignment error 2.5°.

BOX QUANTITY: 8 pieces.

ON REQUEST: Versions with body in polypropylene + glass fiber and antibacterial additive; protection covers in different colours and with customized brand; box quantity according to your request; Viton gaskets; available without NBR rubber back gasket for turning shaft seal.

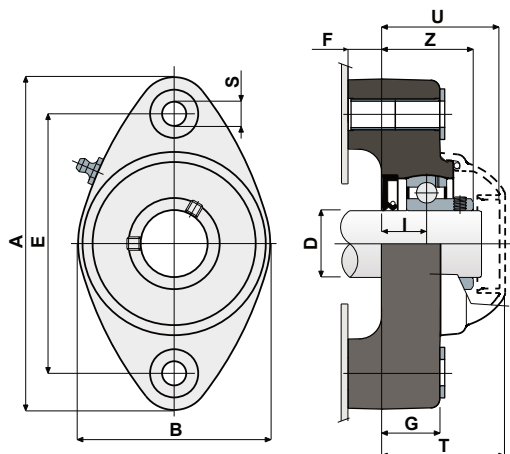


Oval flanged bearing supports (S) Solid)

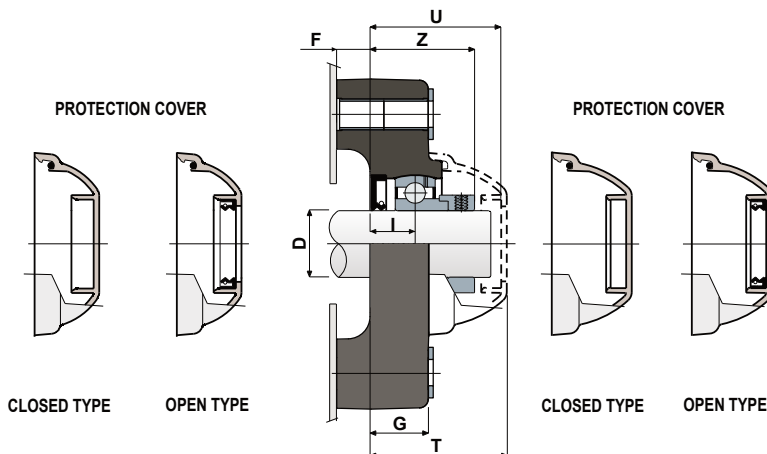
Technical data

Serie **UCFL/CX**

GRUB SCREWS SHAFT LOCKING



ECCENTRIC COLLAR SHAFT LOCKING



GRUB SCREWS SHAFT LOCKING

		CHROME STEEL BEARING													COVER CODES											
D	SERIE	Support CODES		DIMENSIONS (mm)											Bearing load (N)		Bearingsupportload		GREY RAL 7042		BLUERAL 5015		ORANGERAL 2004		RED RAL 3000	
		Standard bearing	Long Life bearing	E	A	B	S	F	G	Z	U	T	C		C0	(N)	Closed	Open	Closed	Open	Closed	Open	Closed	Open		
		Blue Ral 5005																								
25	UCFL205CX (S)	88637	89840	99	131	72	10,5	15	22	17,4	37	47	49,5	14000	7800	10000	80075	80076	85384	85385	82276	82277	87542	87543		
30	UCFL206CX (S)	87427	89841	117	149	86	10,5	15	26	20	42	53	56	19500	11300	13000	80011	80053	84100	80354	82278	82279	87531	87530		

ECCENTRIC COLLAR SHAFT LOCKING

		CHROME STEEL BEARING													COVER CODES					
D	SERIE	Support CODES		DIMENSIONS (mm)											Bearing load (N)		Bearingsupportload		GREY RAL 7042	
		Standard bearing	Long Life bearing	E	A	B	S	F	G	Z	U	T		C	C0	(N)	Closed	Open		
		Blue Ral 5005																		
25	UCFL205CX (S)	88649	89842	99	131	72	10,5	15	22	17,4	41	52,6	55	14000	7800	10000	88373	88374		
30	UCFL206CX (S)	88551	89843	117	149	86	10,5	15	26	20	46,7	59,2	61,8	19500	11300	13000	88375	88376		

GRUB SCREWS SHAFT LOCKING

		STAINLESS STEEL BEARING AISI 440													COVER CODES											
D	SERIE	Support CODES		DIMENSIONS (mm)											Bearing load (N)		Bearingsupportload		GREY RAL 7042		BLUERAL 5015		ORANGERAL 2004		RED RAL 3000	
		Standard bearing	Long Life bearing	E	A	B	S	F	G	Z	U	T	C		C0	(N)	Closed	Open	Closed	Open	Closed	Open	Closed	Open		
		Blue Ral 5005																								
25	UCFL205CX (S)	88638	89844	99	131	72	10,5	15	22	17,4	37	47	49,5	11500	7800	10000	80075	80076	85384	85385	82276	82277	87542	87543		
30	UCFL206CX (S)	87751	89845	117	149	86	10,5	15	26	20	42	53	56	12500	11200	13000	80011	80053	84100	80354	82278	82279	87531	87530		



Oval flanged bearing supports

Serie **UCFL**
Serie **MUCFL**



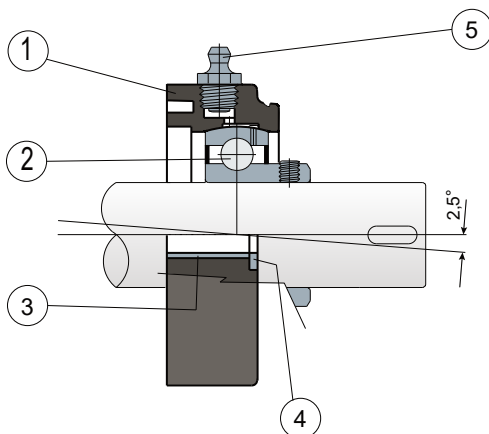
Self-aligning bearings with Solid body: completely closed surface to guarantee the max hygiene.



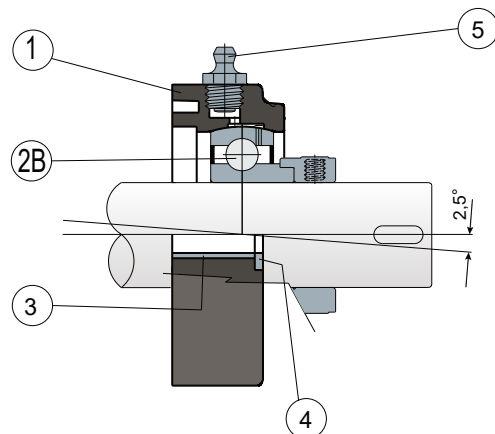
Long Life bearings: life long lubrication.



Grub screws shaft locking - Without cover and back gasket



Eccentric collar shaft locking - Without cover and back gasket



- 1) Housing made out of black, white or blue Ral 5005 colour polyamide reinforced with glass fibers.
- 2) Chrome steel or stainless steel bearing AISI 440. 2B) Chrome steel bearing.
- 3) Spacer for fixing reinforcement made out of stainless steel AISI 304.
- 4) UNI 6592 support washer made out of stainless steel AISI 304.
- 5) Greaser, straight type with 1/8 gas thread, made out of nickel-plated brass (absent in the versions with Long Life bearing).

NOTE: The back gasket and the protection cover can be ordered separately as accessories; in the Long Life version, the greaser is absent and the lubrication channel is protected by a rubber cap.

Support dimensions respect ISO 3228 set of rules. Maximum shaft alignment error 2,5°
For further information please contact our technical office or sales department.

MATERIALS: Housing is made out of PA + glass fiber in black, white or blue Ral 5005 colours; bearing with grub screws shaft locking in chrome steel or stainless steel; bearing with eccentric collar shaft locking in chrome steel; greaser made out of nickel plated brass; reinforcement bushings and washers made out of stainless steel AISI 304; gaskets made out of NBRrubber; cover made out of polypropylene grey Ral 7042, blue Ral 5015, orange Ral 2004 or red Ral 3000 colour.

FEATURES: The back gasket and the protection cover can be ordered separately as accessories. Assembly with shouldered and not shouldered shafts. Maximum shaft alignment error 2.5°.

BOX QUANTITY: 8 pieces.

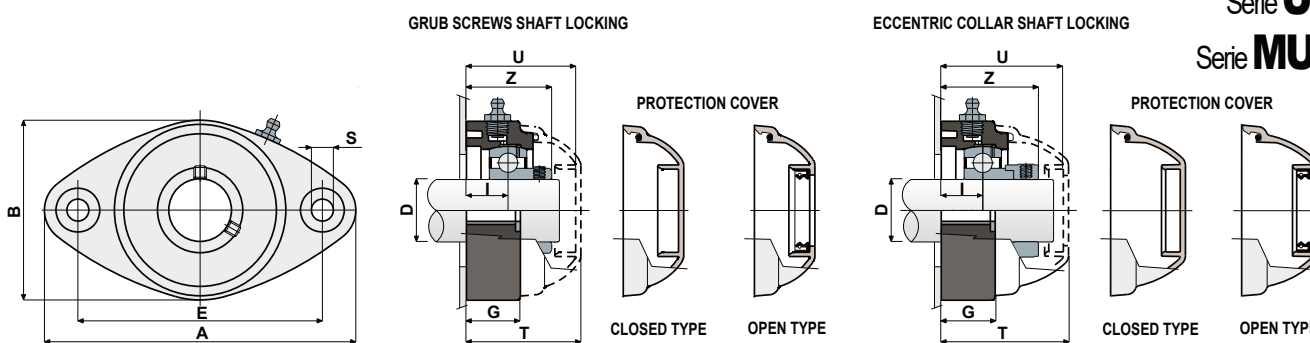
ON REQUEST: Versions with body in polypropylene + glass fiber and antibacterial additive; protection covers in different colours and with customized brand; box quantity according to your request; Viton gaskets.



Oval flanged bearing supports

Technical data

Serie UCFL
Serie MUCFL



GRUB SCREWS SHAFT LOCKING

D	SERIE	CHROME STEEL BEARING											COVER CODES																						
		Support CODES						DIMENSIONS (mm)										Bearing load (N) ^{Bearingsupportload}		REY RAL7042				BLUERAL5015				ORANGERAL2004				RED RAL3000			
		Black	White	Blue Ral5005	Black	White	Blue Ral5005	E	A	B	S	G	I	Z	U	T	C	C0	(N)	Closed	Open	Closed	Open	Closed	Open	Closed	Open	Closed	Open	Closed	Open				
20	UCFL204	80265	84868	87723	82987	89851	89862	90	118	64	10,5	19	15,5	33,5	44	46,5	12800	6600	8500	80254	80255	87259	83901	82305	82306	87540	87541								
20	MUCFL204	83037	84706	87724	89846	89852	89863	90	122	86	10,5	19	16	34	44	46,5	12800	6600	8500	80254	80255	87259	83901	82305	82306	87540	87541								
20	MUCFL204	81217	87218	87725	89847	89853	89864	76,5	76,5	100	70	10,5	11	15,5	33,5	44	46,5	12800	6600	8500	80254	80255	87259	83901	82305	82306	87540	87541							
25	UCFL205	80063	84869	87726	80476	89854	89865	99	131	72	10,5	22	17	36	47	49	14000	7800	10000	80075	80076	85384	85385	82276	82277	87542	87543								
25	MUCFL205	83038	84707	87727	89848	89855	89866	90	122	86	10,5	19	15,5	35	44	46,5	14000	7800	10000	80075	80076	85384	85385	82276	82277	87542	87543								
30	UCFL206	80064	84870	87728	80480	89856	89867	117	149	86	10,5	26	20	41	54	56	19500	11300	13000	80011	80053	84100	80354	82278	82279	87531	87530								
30	MUCFL206	80542	84708	87729	89849	89857	89868	90	122	86	10,5	19	13	35	52	54,5	19500	11300	13000	82765	82764	87270	87272	87559	87560	87570	87571								
35	UCFL207	80065	84871	87780	80481	89858	89869	130	163	94	10,5	26	20	45	57	59	25500	15800	14000	80077	80078	80969	80275	82284	82285	87544	87545								
35	MUCFL207	83995	84709	87731	89850	89859	89870	117	147	112	10,5	27	20	45,3	57	59,6	25500	15300	14000	80077	80078	80969	80275	82284	82285	87544	87545								
40	UCFL208	85229	85231	87732	86083	89860	89871	144	172	100	10,5	27	19,5	48,5	65,5	71	32500	19800	15000	80256	80257	83088	86722	82280	82281	87528	87545								
40	MUCFL208	83996	84710	87733	84107	89861	89872	117	147	112	10,5	27	19,5	48,5	65,5	68	32500	19800	15000	80256	80257	83088	86722	82280	82281	87528	82804								

ECCENTRIC COLLAR SHAFT LOCKING

D	SERIE	CHROME STEEL BEARING											COVER CODES									
		Support CODES						DIMENSIONS (mm)										Bearing load (N) ^{Bearingsupportload}		GREY RAL7042		
		Black	White	Blue Ral5005	Black	White	Blue Ral5005	E	A	B	S	G	I	Z	U	T	C	C0	(N)	Closed	Open	
20	UCFL204	88519	88529	88540	89873	89884	89895	90	118	64	10,5	19	15,5	39	51	53,5	12800	6600	8500	88371	88372	
20	MUCFL204	88520	88530	88541	89874	89885	89896	90	122	86	10,5	19	16	39,5	51	53,5	12800	6600	8500	88371	88372	
20	MUCFL204	88521	88531	88542	89875	89886	89897	76,5	76,5	100	70	10,5	11	15,5	39	50,9	53,4	12800	6600	8500	88371	88372
25	UCFL205	88522	88532	88543	89876	89887	89898	99	131	72	10,5	22	17,4	40,9	52,9	55,4	14000	7800	10000	88373	88374	
25	MUCFL205	88523	88533	88544	89877	89888	89899	90	122	86	10,5	19	15,5	39	50	52,4	14000	7800	10000	88373	88374	
30	UCFL206	83985	88534	88545	89878	89889	89900	117	149	86	10,5	26	20	47,4	59,4	61,9	19500	11300	13000	88375	88376	
30	MUCFL206	88524	88535	88546	89879	89890	89901	90	122	86	10,5	19	13	39,7	52	54,5	19500	11300	13000	82765	82764	
35	UCFL207	88525	88536	88547	89880	89891	89902	130	163	94	10,5	26	20	49,3	61,3	63,8	25500	15300	14000	88377	88378	
35	MUCFL207	88526	88537	88548	89881	89892	89903	117	147	112	10,5	27	20	49,3	62	64,4	25500	15300	14000	88377	88378	
40	UCFL208	88527	88538	88549	89882	89893	89904	144	172	100	10,5	27	19,5	52,2	65	68	32500	19800	15000	80256	80257	
40	MUCFL208	88528	88539	88550	89883	89894	89905	117	147	112	10,5	27	19,5	52,2	65,5	68	32500	19800	15000	80256	80257	

GRUB SCREWS SHAFT LOCKING

D	SERIE	STAINLESS STEEL BEARING AISI 440											COVER CODES																						
		Support CODES						DIMENSIONS (mm)										Bearing load (N) ^{Bearingsupportload}		REY RAL7042				BLUERAL5015				ORANGERAL2004				RED RAL3000			
		Black	White	Blue Ral5005	Black	White	Blue Ral5005	E	A	B	S	G	I	Z	U	T	C	C0	(N)	Closed	Open	Closed	Open	Closed	Open	Closed	Open	Closed	Open						
20	UCFL204	80619	84872	87734	82029	89913	89924	90	118	64	10,5	19	15,5	33,5	44	46,5	8300	6600	8500	80254	80255	87259	83901	82305	82306	87540	87541								
20	MUCFL204	83048	84711	87735	89906	89914	89925	90	122	86	10,5	19	16	34	44	46,5	8300	6600	8500	80254	80255	87259	83901	82305	82306	87540	87541								
20	MUCFL204	87227	87228	87736	89907	89915	89926	76,5	76,5	100	70	10,5	11	15,5	33,5	44	46,5	8300	6600	8500	80254	80255	87259	83901	82305	82306	87540	87541							
25	UCFL205	80520	84873	87737	82030	89916	89927	99	131	72	10,5	22	17	36	47	49	9150	7800	10000	80075	80076	85384	85385	82276	82277	87542	87543								
25	MUCFL205	83049	84712	87738	89908	89917	89928	90	122	86	10,5	19	15,5	35	44	46,5	9150	7800	10000	80075	80076	85384	85385	82276	82277	87542	87543								
30	UCFL206	80521	84874	87739	82031	89918	89929	117	149	86	10,5	26	20	41	54	56	12500	11200	13000	80011	80053	84100	80354	82278	82279	87531	87530								
30	MUCFL206	83050	84713	87740	89909	89919	89930	90	122	86	10,5	19	13	35	52	54,5	12500	11200	13000	82765	82764	87270	87272	87559	87560	87570	87571								
35	UCFL207	80522	84875	87741	80315	89920	89931	130	163	94	10,5	26	20	45	57	59	16600	15300	14000	80077	80078	80969	80275	82284	82285	87544	87545								
35	MUCFL207	84020	84714	87742	89910	89921	89932	117	147	112	10,5	27	20	45,3	57	59,6	16600	15300	14000	80077	80078	80969	80275	82284	82285	87544	87545								
40	UCFL208	85230	85232	87743	89911	89922	89933	144	172	100	10,5	27	19,5	48,5	65,5	71	20000	19000	15000	80256	80257	83088	86722	82280	82281	87528	82804								
40	MUCFL208	83997	84715	87744	89912	89923	89934	117	147	112	10,5	27	19,5	48,5	65,5	68	20000	19000	15000	80256	80257	83088	86722	82280	82281	87528	82804								

GRUB SCREWS SHAFT LOCKING - VERSIONS WITH MEASURES IN INCHES

D	SERIE	CHROME STEEL BEARING											COVER CODES																						
		Support CODES						DIMENSIONS (mm)										Bearing load (N) ^{Bearingsupportload}		REY RAL7042				BLUERAL5015				ORANGERAL2004				RED RAL3000			
		Black	White	Blue Ral5005	Black	White	Blue Ral5005	E	A	B	S	G	I	Z	U	T	C	C0	(N)	Closed	Open	Closed	Open	Closed	Open	Closed	Open	Closed	Open						
1" (mm)	UCFL205	84513	84903	87745	89935	89939	89943	99	131	72	10,5	22	17							80075	85202	85384	87273	82276											
1" (mm)	MUCFL205	84519	84905	87746	89936	89940	89944	90	122	86	10,5	19	15,5							10000	80075	85202	85384	87273	82276	87660	87542	87660	87542						
1" (mm)	MUCFL206	84514	84904	87747	89937	89941	89945	117	149	86	10,5	26	20							13000	80011	85203	84100	87274	82278	87661	87531	87661	87531						
1" (mm)	MUCFL206	84520	84906	87748	89938	89942	89946	90	122	86	10,5	19	13							13000	82765	85206	87270	87272	87559	87560	87570	87571							

Inch dimensions conform to the British Imperial system



Oval flanged bearing supports

Serie **UCFL/CS**
Serie **MUCFL/CS**



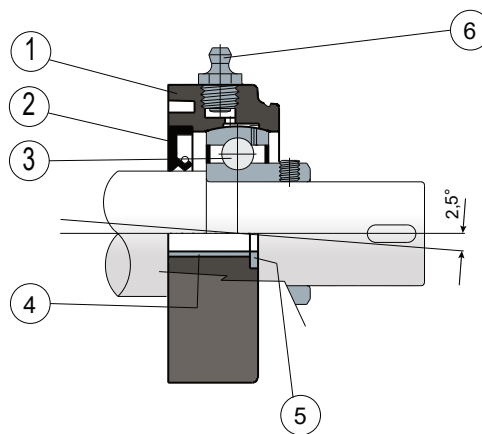
Self-aligning bearings with Solid body: completely closed surface to guarantee the max hygiene.



Long Life bearings: life long lubrication.



Back gasket for shouldered shaft



- 1) Housing made out of black, white or blue Ral 5005 colour polyamide reinforced with glass fibers.
- 2) Back gasket made out of NBR rubber for turning shaft seal.
- 3) Chrome steel or stainless steel bearing AISI 440.
- 4) Spacer for fixing reinforcement made out of stainless steel AISI 304.
- 5) UNI 6592 support washer made out of stainless steel AISI 304.
- 6) Greaser, straight type with 1/8 gas thread, made out of nickel-plated brass (absent in the versions with Long Life bearing).

N.B.: The protection cover can be ordered separately as an accessory; in the Long Life version, the greaser is absent and the lubrication channel is protected by a rubber cap.

Support dimensions respect ISO 3228 set of rules. Maximum shaft alignment error 2,5° For further information please contact our technical office or sales department.

MATERIALS: Housing is made out of PA+ glass fiber in black, white or blue Ral 5005 colours; chrome steel or stainless steel bearing; greaser made out of nickel plated brass; reinforcement bushings and washers made out of stainless steel AISI 304; gaskets made out of NBR rubber; cover made out of polypropylene grey Ral 7042, blue Ral 5015, orange Ral 2004 or red Ral 3000 colour.

FEATURES: Back gasket for shouldered shafts; the protection cover can be ordered separately as an accessory. Use of shouldered shafts allows a higher capability of axial load. Maximum shaft alignment error 2.5°.

BOX QUANTITY: 8 pieces.

ON REQUEST: Versions with body in polypropylene + glass fiber and antibacterial additive; protection covers in different colours and with customized brand; box quantity according to your request; Viton gaskets.



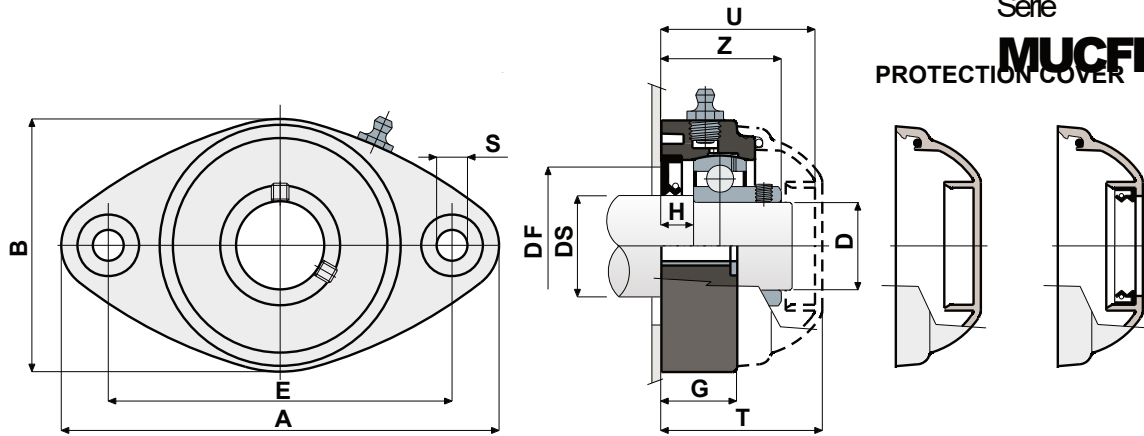
Oval flanged bearing supports

Technical data

Serie
UCFL/CS

Serie
MUCFL/CS

PROTECTION COVER



CLOSED TYPE OPEN TYPE

CHROME STEEL BEARING																	COVER CODES															
DS	D	SERIE	Support CODES						DIMENSIONS (mm)										Bearing load (N)		Bearings support load		GREY RAL 7042		BLUE RAL 5015		ORANGE RAL 2004		RED RAL 3000			
			Standard bearing			Long Life bearing			E	A	B	S	G	H	Z	U	T	DF		C	C0	(N)	Closed	Open	Closed	Open	Closed	Open	Closed	Open		
			Black	White	Blue Ra5006	Black	White	Blue Ra5006										Max	Min													
25	20	UCFL204 CS	80266	85264	89245	89947	89952	89958	90	118	64	10,5	19	8,5	33,5	44	46,5	45	40	12800	6600			8500	80254	80255	87259	83901	82305	82306	87540	87541
25	20	MUCFL204 CS	87219	87220	89247	89948	89953	89959	76,5	100	70	10,5	11	8,5	33,5	44	46,5	45	40	12800	6600			8500	80254	80255	87259	83901	82305	82306	87540	87541
30	25	UCFL205 CS	80184	85265	89249	86082	89954	89960	99	131	72	10,5	22	10	36	47	49	50	45	14000	7800			10000	80075	80076	85384	85385	82276	82277	87542	87543
35	30	UCFL206 CS	80185	85266	89250	89949	89955	89961	117	149	86	10,5	26	11,5	41	54	56	60	50	19500	11300			13000	80011	80053	84100	80354	82278	82279	87531	87530
40	35	UCFL207 CS	80186	85267	89251	89950	89956	89962	130	163	94	10,5	26	10,5	45	57	59	70	55	25500	15300			14000	80077	80078	80969	80275	82284	82285	87544	87545
45	40	UCFL208 CS	85233	86004	89252	89951	89957	89963	144	172	100	10,5	27	8,5	48,5	63,5	71	78	65	32500	19800			15000	80256	80257	83088	86722	82280	82281	87528	82804

STAINLESS STEEL BEARING AISI 440																	COVER CODES															
DS	D	SERIE	Support CODES						DIMENSIONS (mm)										Bearing load (N)		Bearings support load		GREY RAL 7042		BLUE RAL 5015		ORANGE RAL 2004		RED RAL 3000			
			Standard bearing			Long Life bearing			E	A	B	S	G	H	Z	U	T	DF		C	C0	(N)	Closed	Open	Closed	Open	Closed	Open	Closed	Open		
			Black	White	Blue Ra5006	Black	White	Blue Ra5006										Max	Min													
25	20	UCFL204 CS	84148	85268	89253	87599	89969	89975	90	118	64	10,5	19	8,5	33,5	44	46,5	45	40	8300	6600			8500	80254	80255	87259	83901	82305	82306	87540	87541
25	20	MUCFL204 CS	87229	87230	89254	89964	89970	89976	76,5	100	70	10,5	11	8,5	33,5	44	46,5	45	40	8300	6600			8500	80254	80255	87259	83901	82305	82306	87540	87541
30	25	UCFL205 CS	83907	85269	89255	89965	89971	89977	99	131	72	10,5	22	10	36	47	49	50	45	9150	7800			10000	80075	80076	85384	85385	82276	82277	87542	87543
35	30	UCFL206 CS	80523	85270	89256	89966	89972	89978	117	149	86	10,5	26	11,5	41	54	56	60	50	12500	11200			13000	80011	80053	84100	80354	82278	82279	87531	87530
40	35	UCFL207 CS	84150	85271	89257	89967	89973	89979	130	163	94	10,5	26	10,5	45	57	59	70	55	16600	15300			14000	80077	80078	80969	80275	82284	82285	87544	87545
45	40	UCFL208 CS	85234	86005	89258	89968	89974	89980	144	172	100	10,5	27	8,5	48,5	63,5	71	78	65	20000	19000			15000	80256	80257	83088	86722	82280	82281	87528	82804



Oval flanged bearing supports (S Solid)

Serie **UCFL/CA**



On request covers in polypropylene blue Ral 5015 colour.



On request covers in polypropylene orange Ral 2004 colour.



On request covers in polypropylene red Ral 3000 colour.



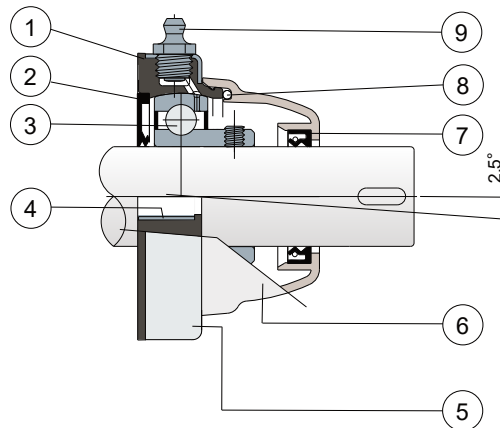
Self-aligning bearings with Solid body: completely closed surface to guarantee the max hygiene.



Long Life bearings: life long lubrication.



External cover made out of stainless steel AISI 304



- 1) Internal body of support made out of black colour polypropylene reinforced with glass fibers.
- 2) Back gasket made out of NBR rubber for turning shaft seal.
- 3) Chrome steel or stainless steel bearing AISI 440.
- 4) Spacer for fixing reinforcement made out of stainless steel AISI 304.
- 5) External cover of support made out of AISI 304 stainless steel.
- 6) Protection cover made out of polypropylene (grey colour Ral 7042).
- 7) Front gasket made out of NBR rubber for turning shaft seal.
- 8) OR gasket made out of NBR rubber.
- 9) Greaser, straight type with 1/8 gas thread, made out of nickel-plated brass (absent in the versions with Long Life bearing).

N.B.: In the Long Life version, the greaser is absent and the lubrication channel is protected by a rubber cap.

Maximum shaft alignment error 2,5°

For further information please contact our technical office or sales department.

MATERIALS: Support made out of black colour PP+ glass fiber; external cover of support made out of stainless steel AISI 304; chrome steel or stainless steel bearing; greaser made out of nickel plated brass; reinforcement bushings made out of stainless steel AISI 304; gaskets made out of NBR rubber; protection cover made out of grey RAL 7042 colour polypropylene.

FEATURES: Full protection of bearing against external agents. Housing in polypropylene covered with a layer of AISI 304 stainless steel, to obtain the maximum chemical resistance to antibacterial detergents used in the food processing sector. More over this part is moulded without internal cavities in order to obtain the best sanification. Assembly with not shouldered shaft. Maximum shaft alignment error 2.5°.

BOX QUANTITY: 8 pieces.

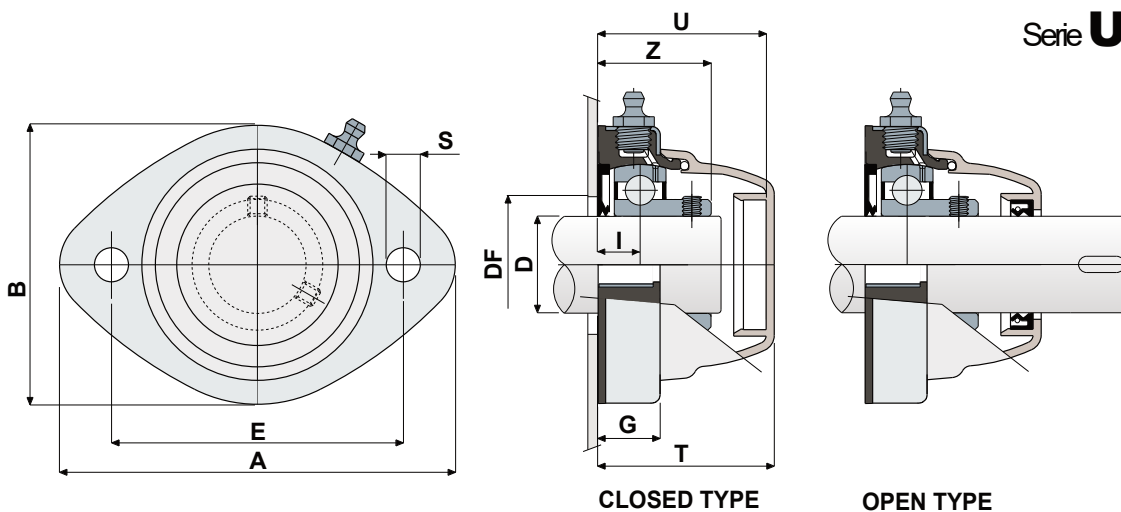
ON REQUEST: Protection covers in different colours and with customized brand; supports with eccentric collar shaft locking with chrome steel bearing; internal body in reinforced polypropylene white or blue Ral 5005 colour; box quantity according to your request; Viton gaskets.



Oval flanged bearing supports (Solid)

Technical data

Serie **UCFL/CA**



CHROME STEEL BEARING																			
D	SERIE	CODES				DIMENSIONS (mm)										Bearing load (N)		Bearings support load (N)	
		Standard bearing		Long Life bearing		E	A	B	S	G	I	Z	U	T	DF		C		C0
		Closed	Open	Closed	Open										Max	Min			
30	UCFL206 CA	84021	83999	87235	87237	117	147	112	11	27	21	42	65,5	68	60	50	19500	11300	13000
35	UCFL207 CA	84022	84000	88818	88817	117	147	112	11	27	20	45,3	65,5	68	70	55	25500	15300	14000
40	UCFL208 CA	84023	84001	89981	89982	117	147	112	11	27	20	48,5	65,5	68	78	65	32500	19800	15000

STAINLESS STEEL BEARING AISI 440																			
D	SERIE	CODES				DIMENSIONS (mm)										Bearing load (N)		Bearings support load (N)	
		Standard bearing		Long Life bearing		E	A	B	S	G	I	Z	U	T	DF		C		C0
		Closed	Open	Closed	Open										Max	Min			
30	UCFL206 CA	84024	84002	84990	84989	117	147	112	11	27	21	42	65,5	68	60	50	12500	11200	13000
35	UCFL207 CA	84006	84003	87363	87362	117	147	112	11	27	20	45,3	65,5	68	70	55	16600	15300	14000
40	UCFL208 CA	84010	84005	89983	84993	117	147	112	11	27	20	48,5	65,5	68	78	65	20000	19000	15000

VERSIONS WITH MEASURES IN INCHES

CHROME STEEL BEARING																				
D	SERIE	CODES				DIMENSIONS (mm)										Bearing load (N)		Bearings support load (N)		
		Standard bearing		Long Life bearing		E	A	B	S	G	I	Z	U	T	DF		C		C0	
		Closed	Open	Closed	Open										Max	Min				
1 1/4	31,75	UCFL206 CA	84021	84541	89981	89982	117	147	112	11	27	21	42	65,5	68	60	50	19500	11300	13000

Inch dimensions conform to the British Imperial system



Oval flanged bearing supports (S Solid)

Serie **UCFL/CXA**



Self-aligning bearings with Solid body: completely closed surface to guarantee the max hygiene.

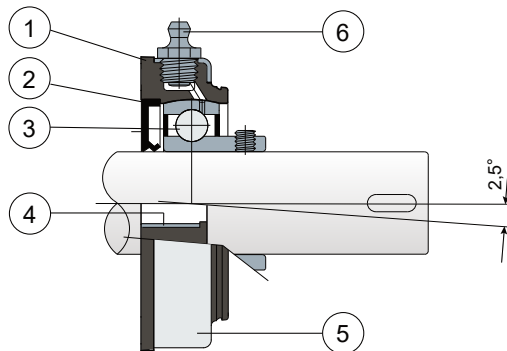


Long Life bearings: life long lubrication.



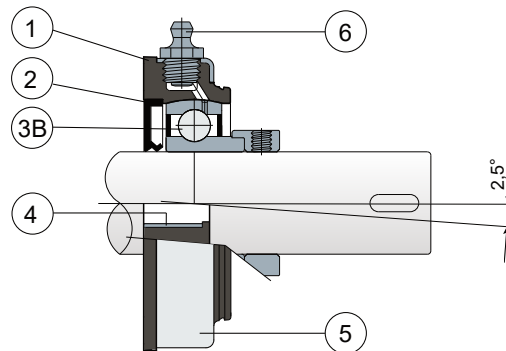
Grub screws shaft locking

External cover made out of stainless steel AISI 304; without protection cover



Eccentric collar shaft locking

External cover made out of stainless steel AISI 304; without protection cover



- 1) Internal body of support made out of black colour polypropylene reinforced with glass fibers.
- 2) Back gasket made out of NBR rubber for turning shaft seal.
- 3) Chrome steel or stainless steel bearing AISI 440. 3B) Chrome steel bearing.
- 4) Spacer for fixing reinforcement made out of stainless steel AISI 304.
- 5) External cover of support made out of AISI 304 stainless steel.
- 6) Greaser, straight type with 1/8 gas thread, made out of nickel-plated brass (absent in the versions with Long Life bearing).

NOTE: The protection cover can be ordered separately as an accessory; in the Long Life version, the greaser is absent and the lubrication channel is protected by a rubber cap.

Maximum shaft alignment error 2,5°

For further information please contact our technical office or sales department.

MATERIALS: Support made out of black colour PP + glass fiber; external cover of support made out of stainless steel AISI 304; bearing with grub screws shaft locking in chrome steel or stainless steel; bearing with eccentric collar shaft locking in chrome steel; greaser made out of nickel plated brass; reinforcement bushings made out of stainless steel AISI 304; gaskets made out of NBRubber; protection cover made out of polypropylene grey Ral 7042, blue Ral 5015, orange Ral 2004 or red Ral 3000 colour.

FEATURES: The protection cover can be ordered separately as an accessory. Housing in polypropylene covered with a layer of AISI 304 stainless steel, to obtain the maximum chemical resistance to antibacterial detergents used in the food processing sector. More over this part is moulded without internal cavities in order to obtain the best sanification. Assembly with not shouldered shaft. Maximum shaft alignment error 2.5°.

BOX QUANTITY: 8 pieces.

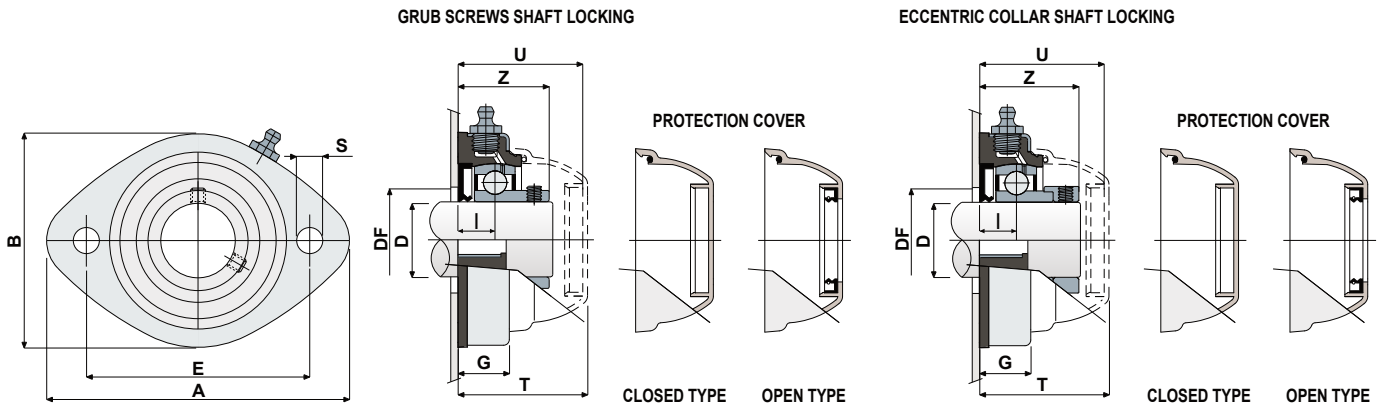
ON REQUEST: Protection covers in different colours and with customized brand; internal body in reinforced polypropylene white or blue Ral 5005 colour; box quantity according to your request; Viton gaskets.



Oval flanged bearing supports (S) Solid)

Technical data

Serie **UCFL/CXA**



GRUB SCREWS SHAFT LOCKING

CHROME STEEL BEARING														COVERCODES												
D	SERIE	Support CODES		DIMENSIONS(mm)										Bearing load (N)		Bearingsupportload	GREY RAL7042									
		Standard bearing	Long Life bearing	E	A	B	S	G	I	Z	U	T	C	CO	(N)	Closed		Open		Closed	Open	Closed	Open	Closed	Open	
																Max	Min	DF								
30	UCFL206CXA	84007	89099	117	147	112	11	27	21	42	65,5	68	60	50	19500	11300	13000	80494	80495	83088	87271	82280	87557	87528	87569	87529
35	UCFL207CXA	84008	89986	117	147	112	11	27	20	45,3	65,5	68	70	55	25500	15300	14000	80256	80495	83088	87277	82280	87557	87528	87529	87529
40	UCFL208CXA	84009	89987	117	147	112	11	27	19,5	48,5	65,5	68	78	65	32500	19800	15000	80257	80495	83088	86722	82281	87557	87528	87529	82804

ECCENTRIC COLLAR SHAFT LOCKING

CHROME STEEL BEARING														COVERCODES											
D	SERIE	Support CODES		DIMENSIONS(mm)										Bearing load (N)		Bearingsupportload	GREY RAL7042								
		Standard bearing	Long Life bearing	E	A	B	S	G	I	Z	U	T	C	CO	(N)	Closed		Open							
																Max	Min	DF							
30	UCFL206CXA	88552	89988	117	147	112	11	27	21	47,7	65,5	68	60	50	19500	11300	13000	80256	80495	83088	87271	82280	87557	87528	87569
35	UCFL207CXA	88553	89989	117	147	112	11	27	20	49,3	65,5	68	70	55	25500	15300	14000	80256	80495	83088	87277	82280	87557	87528	87529
40	UCFL208CXA	88554	89990	117	147	112	11	27	19,5	52,2	65,5	68	78	65	32500	19800	15000	80256	80495	83088	86722	82281	87557	87528	87529

GRUB SCREWS SHAFT LOCKING

STAINLESS STEEL BEARING AISI 440														COVERCODES											
D	SERIE	Support CODES		DIMENSIONS(mm)										Bearing load (N)		Bearingsupportload	GREY RAL7042								
		Standard bearing	Long Life bearing	E	A	B	S	G	I	Z	U	T	C	CO	(N)	Closed		Open		Closed	Open	Closed	Open	Closed	Open
																Max	Min	DF							
30	UCFL206CXA	84011	87257	117	147	112	11	27	21	42	65,5	68	60	50	12500	11200	13000	80256	80495	83088	87271	82280	87557	87528	87569
35	UCFL207CXA	84012	85313	117	147	112	11	27	20	45,3	65,5	68	70	55	16600	15300	14000	80256	80495	83088	87277	82280	87557	87528	87529
40	UCFL208CXA	84013	87258	117	147	112	11	27	19,5	48,5	65,5	68	78	65	20000	19000	15000	80257	80495	83088	86722	82281	87557	87528	82804

GRUB SCREWS SHAFT LOCKING - VERSIONS WITH MEASURES IN INCHES

CHROME STEEL BEARING														COVERCODES											
D	SERIE	Support CODES		DIMENSIONS(mm)										Bearing load (N)		Bearingsupportload	GREY RAL7042								
		Standard bearing	Long Life bearing	E	A	B	S	G	I	Z	U	T	C	CO	(N)	Closed		Open		Closed	Open	Closed	Open	Closed	Open
																Max	Min	DF							
1 1/4 31,75	UCFL206CXA	84522	89991	117	147	112	11	27	21	42	65,5	68	60	50	19500	11300	13000	80256	85204	83088	87275	82280	87662	87528	

Inch dimensions conform to the British Imperial system

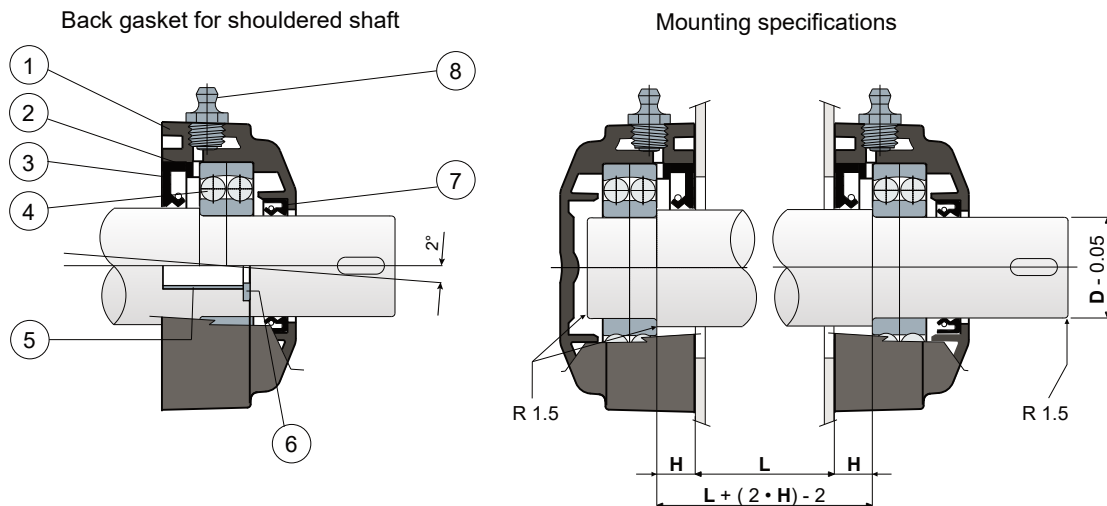


Oval flanged bearing supports

Serie **FL**



The bearing cover integrated into the body of the support guarantees maximum sanitation



- 1) Housing made out of black or white colour polyamide reinforced with glass fibers.
- 2) Intermediate bearing ring spacer made out of black colour polyamide reinforced with glass fibers.
- 3) Back gasket made out of NBR rubber for turning shaft seal.
- 4) Chrome steel bearing type 1200 supplied without lubricant.
- 5) Spacer for fixing reinforcement made out of stainless steel AISI 304.
- 6) UNI 6592 support washer made out of stainless steel AISI 304.
- 7) Front gasket made out of NBR rubber for turning shaft seal.
- 8) Greaser, straight type with 1/8 gas thread, made out of nickel-plated brass.

Support dimensions respect ISO 3228 set of rules Maximum shaft alignment error 2°
For further information please contact our technical office or sales department.

MATERIALS: Housing is made out of PA + glass fiber in black or white colours; Intermediate bearing ring spacer made out of black colour PA + glass fiber; chrome steel bearing; greaser made out of nickel plated brass; reinforcement bushings and washers made out of stainless steel AISI 304; gaskets made out of NBR rubber.

FEATURES: Back gasket for shouldered shafts. Use of shouldered shafts allows a higher capability of axial load. Maximum shaft alignment error 2° .

BOX QUANTITY: 8 pieces.

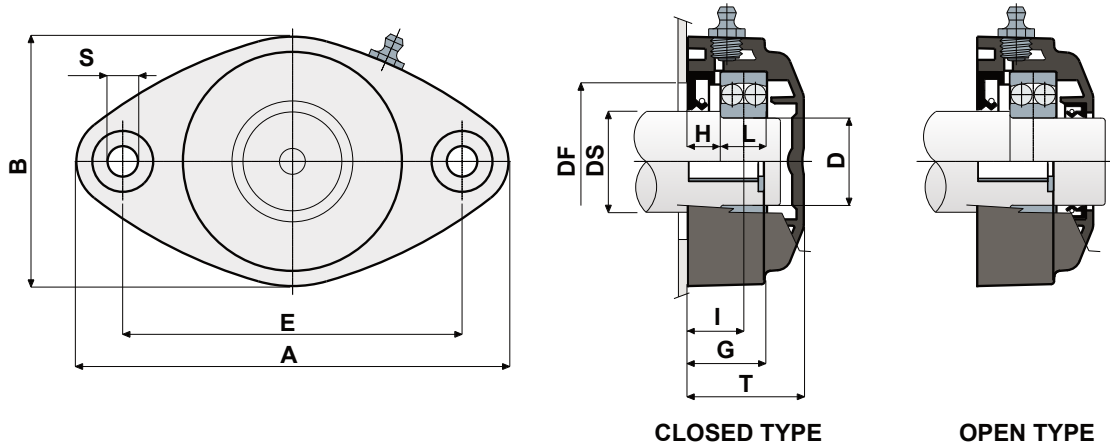
ON REQUEST: Versions with body in polypropylene + glass fiber and antibacterial additive; box quantity according to your request; Viton gaskets.



Oval flanged bearing supports

Technical data

Serie **FL**



CHROME STEEL BEARING																				
DS	D	SERIE	CODES				DIMENSIONS (mm)										Bearing load (N)		Bearing support load	
			Black		White		E	A	B	S	G	H	I	L	T	DF		C	C0	(N)
			Closed	Open	Closed	Open										Max	Min			
30	25	FL1205	87493	87499	87494	87500	99	131	72	10,5	22	11	18,8	15	36,5	50	45	14300	4000	11500
35	30	FL1206	87505	87511	87506	87512	117	149	86	10,5	26	11	19,3	16	40	60	50	15600	4650	12650



Side flanged bearing supports

Serie **UCFB/C**



On request covers in polypropylene blue Ral 5015 colour.



On request covers in polypropylene orange Ral 2004 colour.



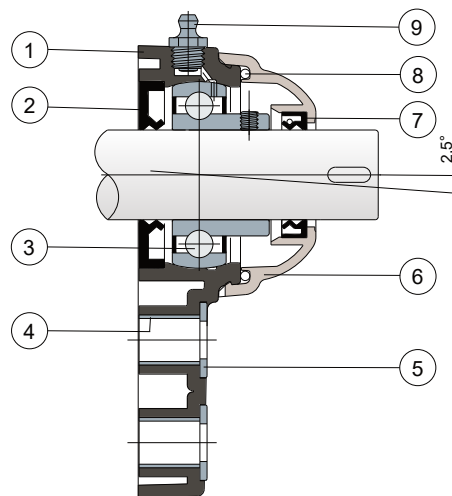
On request covers in polypropylene red Ral 3000 colour.



Long Life bearings: life long lubrication.



Full protection of bearing



- 1) Housing made out of black or white colour polyamide reinforced with glass fibers.
- 2) Back gasket made out of NBR rubber for turning shaft seal.
- 3) Chrome steel or stainless steel bearing AISI 440.
- 4) Spacer for fixing reinforcement made out of stainless steel AISI 304.
- 5) UNI 6592 support washer made out of stainless steel AISI 304.
- 6) Protection cover made out of polypropylene (grey colour Ral 7042).
- 7) Front gasket made out of NBR rubber for turning shaft seal.
- 8) OR gasket made out of NBR rubber
- 9) Greaser, straight type with 1/8 gas thread, made out of nickel-plated brass (absent in the versions with Long Life bearing).

N.B.: In the Long Life version, the greaser is absent and the lubrication channel is protected by a rubber cap.

Maximum shaft alignment error 2,5°

For further information please contact our technical office or sales department.

MATERIALS: Housing is made out of PA + glass fiber in black or white colours; chrome steel or stainless steel bearing, greaser made out of nickel plated brass; reinforcement bushings and washers made out of stainless steel AISI 304; gaskets made out of NBR rubber; cover made out of grey RAL 7042 colour polypropylene.
FEATURES: Full protection of bearing against external agents. Assembly with not shouldered shafts. Maximum shaft alignment error 2.5°. BOX QUANTITY: 8 pieces.

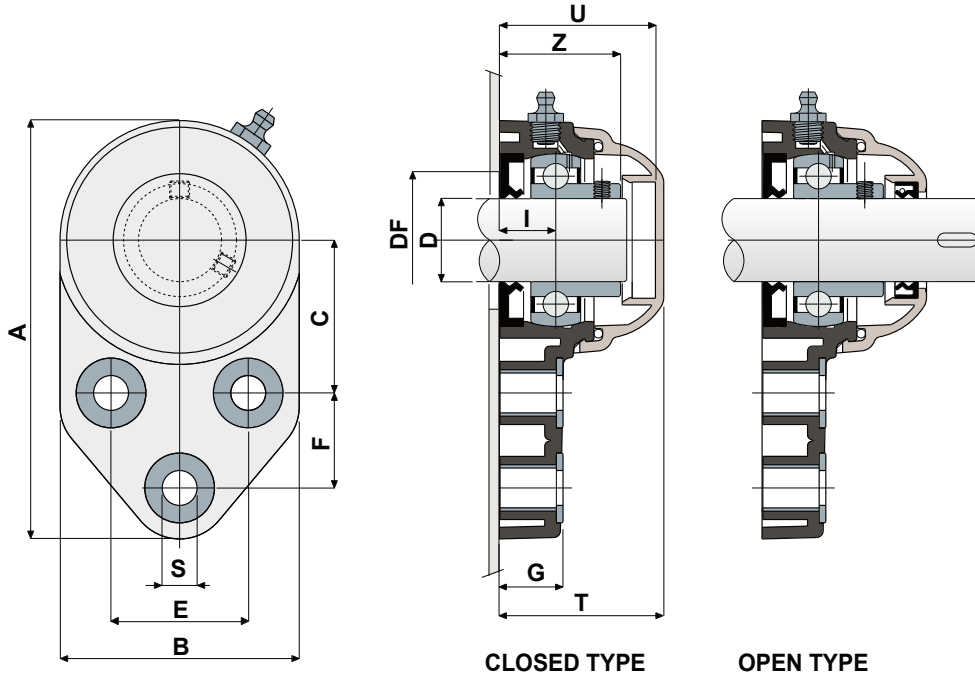
ON REQUEST: Versions with body in polypropylene + glass fiber and antibacterial additive; supports with eccentric collar shaft locking with chrome steel bearing; protection covers in different colours and with customized brand; box quantity according to your request; Viton gaskets.



Side flanged bearing supports

Technical data

Serie **UCFB/C**



CHROME STEEL BEARING																												
D	SERIE	CODES								DIMENSIONS (mm)																Bearing load (N)		Bearing support load
		Standard bearing				Long Life bearing				E	A	B	C	F	S	G	I	Z	U	T	DF		C	C0	(N)			
		Black		White		Black		White													Max	Min						
		Closed	Open	Closed	Open	Closed	Open	Closed	Open																			
20	UCFB204	C	82862	82861	84718	84719	87423	87422	89993	89998	41,3	126	72	46	28,6	10,5	19	18	36	47	49,5	45		40	12800	6600	8500	
25	UCFB205	C	82771	82770	84720	84721	89992	89991	89994	89999	41,3	126	72	46	28,6	10,5	19	17	36,5	47	49,5	50		45	14000	7800	9000	
30	UCFB206	C	84048	84049	84722	84723	87112	87113	89995	90000	47,6	142	85	52,4	32	10,5	26,3	20,7	41,7	53,2	55,7	60	50	19500	11300	11000		
35	UCFB207	C	84050	84051	84724	84725	87431	87432	89996	90001	51	155	94	60,5	32	10,5	26,3	20	45,3	56,5	59		70	55	25500	15300	13000	
40	UCFB208	C	83031	83033	84726	84727	87429	87430	89997	90002	50	165	100	60,5	41	10,5	26,3	19,5	48,5	65,5	68		78	65	32500	19800	18000	

STAINLESS STEEL BEARING AISI 440																												
D	SERIE	CODES								DIMENSIONS (mm)																Bearing load (N)		Bearing support load
		Standard bearing				Long Life bearing				E	A	B	C	F	S	G	I	Z	U	T	DF		C	C0	(N)			
		Black		White		Black		White													Max	Min						
		Closed	Open	Closed	Open	Closed	Open	Closed	Open																			
20	UCFB204	C	82866	82865	84728	84729	85644	85834	90007	90011	41,3	126	72	46	28,6	10,5	19	18	36	47	49,5	45		40	8300	6600	8500	
25	UCFB205	C	82773	82774	84730	84731	85200	85668	90008	90012	41,3	126	72	46	28,6	10,5	19	17	36,5	47	49,5	50		45	9150	7800	9000	
30	UCFB206	C	84052	84053	84732	84733	85836	85837	85838	85839	47,6	142	85	52,4	32	10,5	26,3	20,7	41,7	53,2	55,7	60	50	12500	11200	11000		
35	UCFB207	C	84054	84055	84734	84735	90003	90005	90009	90013	51	155	94	60,5	32	10,5	26,3	20	45,3	56,5	59		70	55	16600	15300	13000	
40	UCFB208	C	83040	83027	84736	84737	90004	90006	90010	90014	50	165	100	60,5	41	10,5	26,3	19,5	48,5	65,5	68		78	65	20000	19000	18000	

VERSIONS WITH MEASURES IN INCHES

CHROME STEEL BEARING																												
D	SERIE	CODES								DIMENSIONS (mm)																Bearing load (N)		Bearing support load
		Standard bearing				Long Life bearing				E	A	B	C	F	S	G	I	Z	U	T	DF		C	C0	(N)			
		Black		White		Black		White													Max	Min						
		Closed	Open	Closed	Open	Closed	Open	Closed	Open																			
1"	25,4	UCFB205	C	84523	84524	84907	84908	90015	90017	90019	90021	41,3	126	72	46	28,6	10,5	19	17	36,5	47	49,5	50		45	14000	7800	9000
1 1/4"	31,75	UCFB206	C	84525	84526	84909	84910	90016	90018	90020	90022	47,6	142	85	52,4	32	10,5	26,3	20,7	41,7	53,2	55,7	60	50	19500	11300	11000	

Inch dimensions conform to the British Imperial system



Side flanged bearing supports

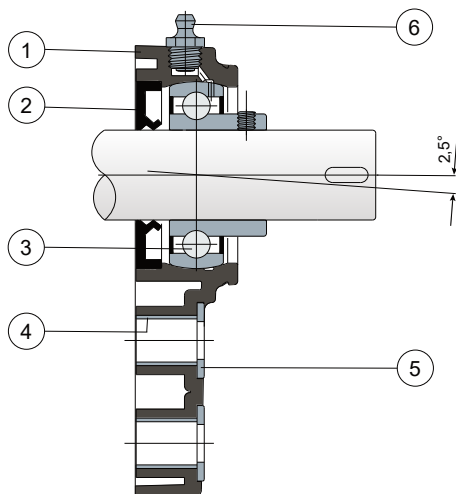
Serie **UCFB/CX**



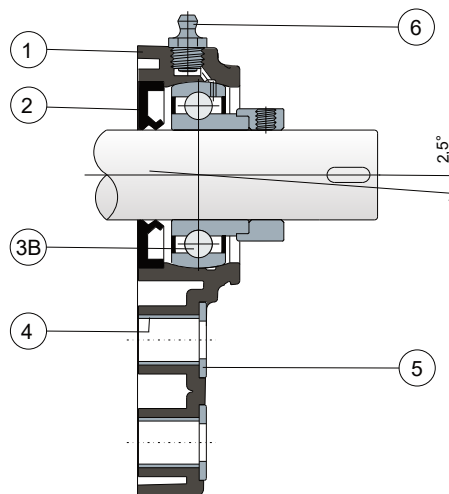
Long Life bearings: life long lubrication.

NEW

Grub screws shaft locking - Without protection cover



Eccentric collar shaft locking - Without protection cover



- 1) Housing made out of black or white colour polyamide reinforced with glass fibers.
- 2) Back gasket made out of NBR rubber for turning shaft seal.
- 3) Chrome steel or stainless steel bearing AISI 440. 3B) Chrome steel bearing.
- 4) Spacer for fixing reinforcement made out of stainless steel AISI 304.
- 5) UNI 6592 support washer made out of stainless steel AISI 304.
- 6) Greaser, straight type with 1/8 gas thread, made out of nickel-plated brass (absent in the versions with Long Life bearing).

NOTE: The protection cover can be ordered separately as an accessory; in the Long Life version, the greaser is absent and the lubrication channel is protected by a rubber cap.

Maximum shaft alignment error 2,5°

For further information please contact our technical office or sales department.

MATERIALS: Housing is made out of PA + glass fiber in black or white colours; bearing with grub screws shaft locking in chrome steel or stainless steel; bearing with eccentric collar shaft locking in chrome steel; greaser made out of nickel plated brass; reinforcement bushings and washers made out of stainless steel AISI 304; gaskets made out of NBR rubber; cover made out of polypropylene grey Ral 7042, blue Ral 5015, orange Ral 2004 or red Ral 3000 colour. FEATURES: The protection cover can be ordered separately as an accessory. Assembly with not shouldered shafts. Maximum shaft alignment error 2.5°. BOX QUANTITY: 8 pieces.

ON REQUEST: Versions with body in polypropylene + glass fiber and antibacterial additive; protection covers in different colours and with customized brand; box quantity according to your request; Viton gaskets.



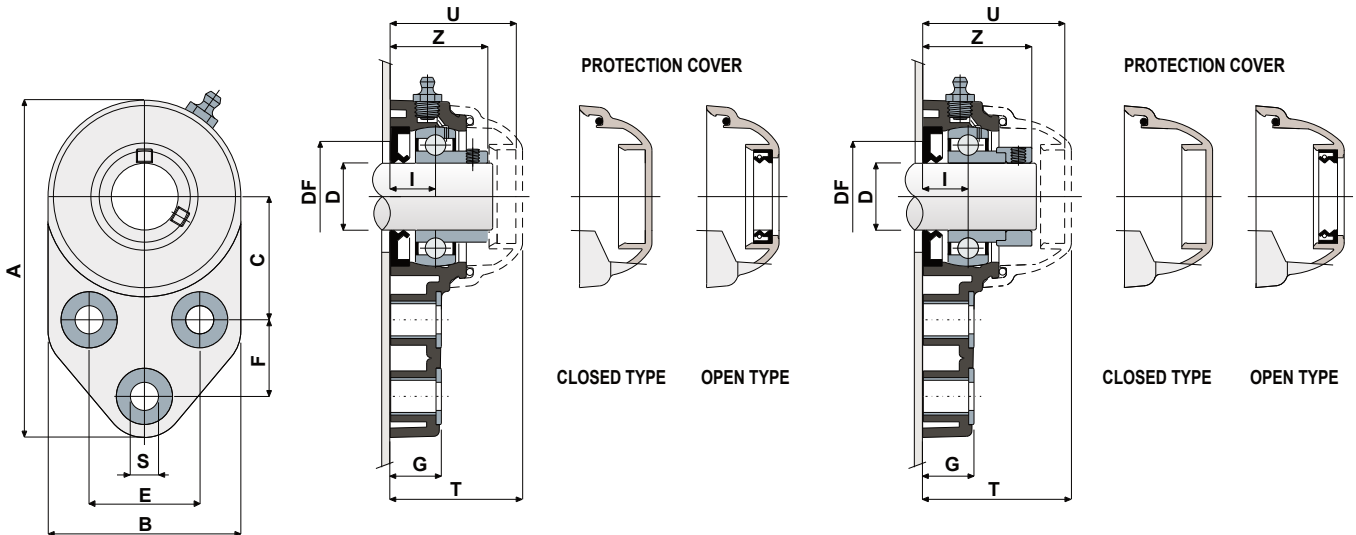
Side flanged bearing supports

Technical data

Serie **UCFB/CX**

GRUB SCREWS SHAFT LOCKING

ECCENTRIC COLLAR SHAFT LOCKING



GRUB SCREWS SHAFT LOCKING

D	SERIE	CHROME STEEL BEARING															COVER CODES													
		Support CODES				DIMENSIONS (mm)											Bearing load (N)		Bearingsupportload		GREY RAL 7042 BLUE RAL 5015 ORANGE RAL 2004 RED									
		Standard bearing		Long Life bearing		E	A	B	C	F	S	G	I	Z	U	T	DF	C	C0	(N)	Closed	Open	Closed	Open	Closed	Open	Closed	Open		
		Black	White	Black	White																									
20	UCFB204	CX	83023	84738	84145	85332	41,3	126	72	46	28,6	10,5	19	18	36,5	47	49,5	45	40	12800	8500	6600	80254	80255	87259	83901	82305	82306	87540	87541
25	UCFB205	CX	82772	84739	83899	90023	41,3	126	72	46	28,6	10,5	19	17	36,5	47	49,5	50	45	14000	7800	9000	80075	80076	85384	85385	82276	82277	87542	87543
30	UCFB206	CX	84056	84740	87450	90024	47,6	142	85	52,4	32	10,5	26,3	20,7	41,7	53,2	55,7	60	50	19500	11300	11000	80011	80053	84100	80354	82278	82279	87531	87530
35	UCFB207	CX	84057	84741	88348	90025	51	155	94	60,5	32	10,5	26,3	20	45,3	56,5	59	70	55	25500	15300	13000	80077	80078	80969	80275	82284	82285	87544	87545
40	UCFB208	CX	82478	84742	82479	90026	50	165	100	60,5	41	10,5	26,3	19,5	48,5	65,5	68	78	65	32500	19800	18000	80256	80257	83088	86722	82280	82281	87528	82804

ECCENTRIC COLLAR SHAFT LOCKING

D	SERIE	CHROME STEEL BEARING															COVER CODES							
		Support CODES				DIMENSIONS (mm)											Bearing load (N)		Bearingsupportload		GREY RAL 7042			
		Standard bearing		Long Life bearing		E	A	B	C	F	S	G	I	Z	U	T	DF	C	C0	(N)	Closed	Open		
		Black	White	Black	White																			
20	UCFB204	CX	88555	88559	90027	90031	41,3	126	72	46	28,6	10,5	19	18	41,5	54	56,5	45	40	12800	6600	8500	88371	88372
25	UCFB205	CX	88556	88560	90028	90032	41,3	126	72	46	28,6	10,5	19	17	40,5	52,9	55,4	50	45	14000	7800	9000	88373	88374
30	UCFB206	CX	88557	88561	90029	90033	47,6	142	85	52,4	32	10,5	26,3	20,7	47,4	59,4	61,9	60	50	19500	11300	11000	88375	88376
35	UCFB207	CX	88558	88562	90030	90034	51	155	94	60,5	32	10,5	26,3	20	49,3	61,3	63,8	70	55	25500	15300	13000	88377	88378
40	UCFB208	CX	88332	88563	87596	90035	50	165	100	60,5	41	10,5	26,3	19,5	52,2	65,5	68	78	65	32500	19800	18000	80256	80257

GRUB SCREWS SHAFT LOCKING

D	SERIE	STAINLESS STEEL BEARING AISI 440															COVER CODES													
		Support CODES				DIMENSIONS (mm)											Bearing load (N)		Bearingsupportload		GREY RAL 7042 BLUE RAL 5015 ORANGE RAL 2004 RED									
		Standard bearing		Long Life bearing		E	A	B	C	F	S	G	I	Z	U	T	DF	C	C0	(N)	Closed	Open	Closed	Open	Closed	Open	Closed	Open		
		Black	White	Black	White																									
20	UCFB204	CX	83039	84743	90036	85710	41,3	126	72	46	28,6	10,5	19	18	36,5	47	49,5	45	40	8300	8500	6600	80254	80255	87259	83901	82305	82306	87540	87541
25	UCFB205	CX	82776	84744	90037	85386	41,3	126	72	46	28,6	10,5	19	17	36,5	47	49,5	50	45	14000	7800	9000	80075	80076	85384	85385	82276	82277	87542	87543
30	UCFB206	CX	84058	84745	85835	85711	47,6	142	85	52,4	32	10,5	26,3	20,7	41,7	53,2	55,7	60	50	19500	11200	11000	80011	80053	84100	80354	82278	82279	87531	87530
35	UCFB207	CX	84059	84746	87584	89141	51	155	94	60,5	32	10,5	26,3	20	45,3	56,5	59	70	55	16600	15300	13000	80077	80078	80969	80275	82284	82285	87544	87545
40	UCFB208	CX	83041	84747	90038	90039	50	165	100	60,5	41	10,5	26,3	19,5	48,5	65,5	68	78	65	20000	19000	18000	80256	80257	83088	86722	82280	82281	87528	82804

GRUB SCREWS SHAFT LOCKING - VERSIONS WITH MEASURES IN INCHES

D	SERIE	CHROME STEEL BEARING															COVER CODES														
		Support CODES				DIMENSIONS (mm)											Bearing load (N)		Bearingsupportload		GREY RAL 7042 BLUE RAL 5015 ORANGE RAL 2004 RED										
		Standard bearing		Long Life bearing		E	A	B	C	F	S	G	I	Z	U	T	DF	C	C0	(N)	Closed	Open	Closed	Open	Closed	Open	Closed	Open			
		Black	White	Black	White																										
1"	25,4	UCFB205	CX	84527	84915	90040	90042	41,3	126	72	46	28,6	10,5	19	17	36,5	47	49,5	50	45	14000	7800	9000	80075	85202	85384	87273	82276	87660	87542	87663
1 1/4"	31,75	UCFB206	CX	84528	84916	90041	90043	47,6	142	85	52,4	32	10,5	26,3	20,7	41,7	53,2	55,7	60	50	19500	11300	11000	80011	85203	84100	87274	82278	87661	87531	87664

Inch dimensions conform to the British Imperial system



Side flanged bearing supports (Solid)

Serie **UCFB/CX**

NEW

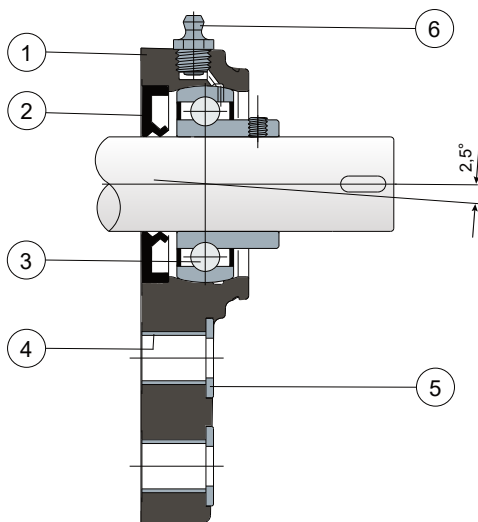


Self-aligning bearings with Solid body: completely closed surface to guarantee the max hygiene.

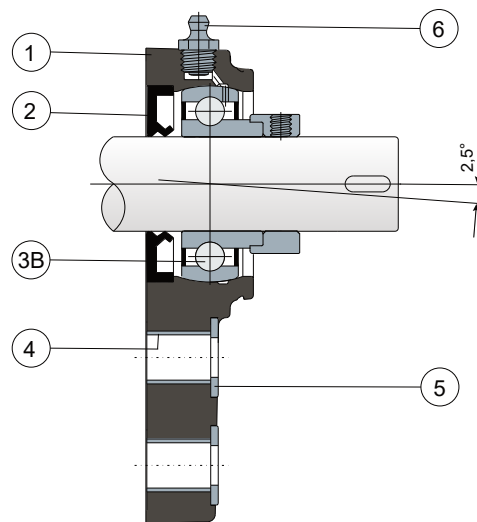


Long Life bearings: life long lubrication.

Grub screws shaft locking - Without protection cover



Eccentric collar shaft locking - Without protection cover



- 1) Housing made out of blue Ral 5005 colour polyamide reinforced with glass fibers.
- 2) Back gasket made out of NBR rubber for turning shaft seal.
- 3) Chrome steel or stainless steel bearing AISI 440. 3B) Chrome steel bearing.
- 4) Spacer for fixing reinforcement made out of stainless steel AISI 304.
- 5) UNI 6592 support washer made out of stainless steel AISI 304.
- 6) Greaser, straight type with 1/8 gas thread, made out of nickel-plated brass (absent in the versions with Long Life bearing).

NOTE: The protection cover can be ordered separately as an accessory; in the Long Life version, the greaser is absent and the lubrication channel is protected by a rubber cap.

Support dimensions respect ISO 3228 set of rules. Maximum shaft alignment error 2,5° For further information please contact our technical office or sales department.

MATERIALS: Housing is made out of PA + glass fiber in blue Ral 5005 colour; bearing with grub screws shaft locking in chrome steel or stainless steel; bearing with eccentric collar shaft locking in chrome steel; greaser made out of nickel plated brass; reinforcement bushings and washers made out of stainless steel AISI 304; gaskets made out of NBR rubber; cover made out of polypropylene grey Ral 7042, blue Ral 5015, orange Ral 2004 or red Ral 3000 colour.

FEATURES: The protection cover can be ordered separately as an accessory. This part is moulded without internal cavities in order to obtain the best sanification. Assembly with not shouldered shafts. Maximum shaft alignment error 2.5°.

BOX QUANTITY: 8 pieces.

ON REQUEST: Versions with body in polypropylene + glass fiber and antibacterial additive; housing in black colour polyamide reinforced with glass fibers; protection covers in different colours and with customized brand; box quantity according to your request; Viton gaskets; available without NBRrubber back gasket for turning shaft seal.



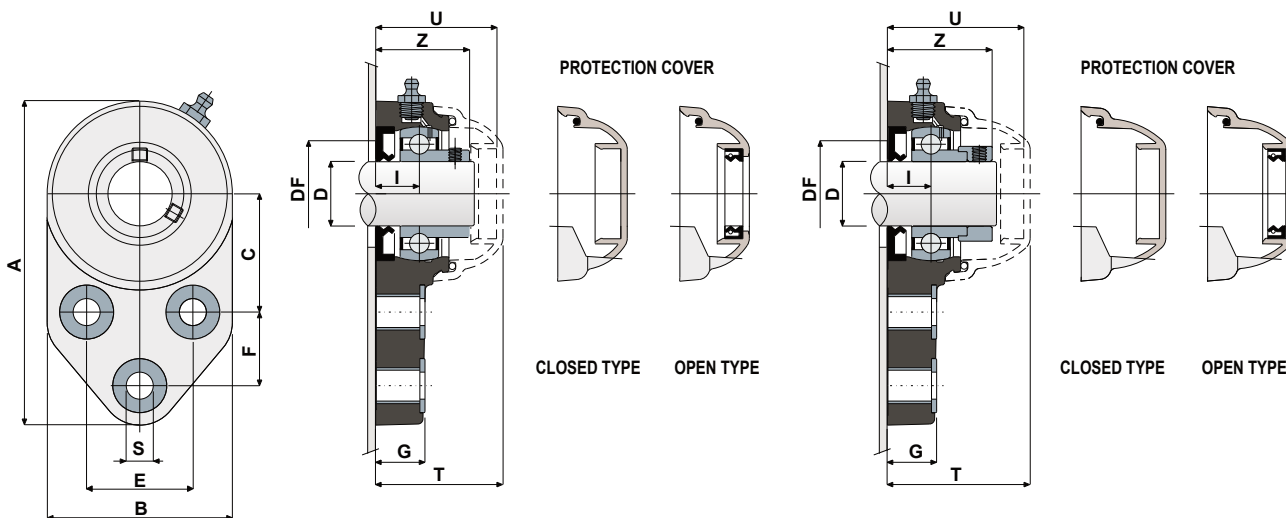
Side flanged bearing supports (S Solid)

Technical data

Serie **UCFB/CX**

GRUB SCREWS SHAFT LOCKING

ECCENTRIC COLLAR SHAFT LOCKING



GRUB SCREWS SHAFT LOCKING

D	SERIE	CHROME STEEL BEARING																COVER CODES											
		Support CODES		DIMENSIONS (mm)														Bearing load (N)		Bearings support load		GREY RAL 7042		BLUERAL 5015		ORANGERAL 2004		RED RAL 3000	
		Standard bearing	Long Life bearing	E	A	B	C	F	S	G	I	Z	U	T	DF	C	C0	(N)	Closed	Open	Closed	Open	Closed	Open	Closed	Open			
		Blue Ral 5005		Max	Min																								
20	UCFB204CX	89142	90044	41,3	126	72	46	28,6	10,5	19	18	36	47	49,5	45	40	12800	6600	8500	80254	80255	87259	83901	82305	82306	87540	87541		
25	UCFB205CX	89143	90045	41,3	126	72	46	28,6	10,5	19	17	36,5	47	49,5	50	45	14000	7800	9000	80075	80076	85384	85385	82276	82277	87542	87543		
30	UCFB206CX	89144	90046	47,6	142	85	52,4	32	10,5	26,3	20,7	41,7	53,2	53,7	60	50	19500	11300	11000	80011	80053	84100	80354	82278	82279	87531	87530		
35	UCFB207CX	89145	90047	51	155	94	60,5	32	10,5	26,3	20	45,3	56,5	59	70	55	25500	15300	13000	80077	80078	80969	80275	82284	82285	87544	87545		
40	UCFB208CX	89146	90048	50	165	100	60,5	41	10,5	26,3	19,5	48,5	65,5	68	78	65	32500	19800	18000	80256	80257	83088	86722	82280	82281	87528	82804		

ECCENTRIC COLLAR SHAFT LOCKING

D	SERIE	CHROME STEEL BEARING																COVER CODES					
		Support CODES		DIMENSIONS (mm)														Bearing load (N)		Bearings support load		GREY RAL 7042	
		Standard bearing	Long Life bearing	E	A	B	C	F	S	G	I	Z	U	T	DF	C	C0	(N)	Closed	Open			
		Blue Ral 5005		Max	Min																		
20	UCFB204CX	89157	90049	41,3	126	72	46	28,6	10,5	19	18	41,5	54	56,5	45	40	12800	6600	8500	88371	88372		
25	UCFB205CX	89158	90050	41,3	126	72	46	28,6	10,5	19	17	40,5	52,9	55,4	50	45	14000	78000	90000	88373	88374		
30	UCFB206CX	89159	90051	47,6	142	85	52,4	32	10,5	26,3	20,7	47,4	59,4	61,9	60	50	19500	11300	11000	88375	88376		
35	UCFB207CX	89160	90052	51	155	94	60,5	32	10,5	26,3	20	49,3	61,3	63,8	70	55	25500	15300	13000	88377	88378		
40	UCFB208CX	89161	90053	50	165	100	60,5	41	10,5	26,3	19,5	52,2	65,5	68	78	65	32500	19800	18000	80256	80257		

GRUB SCREWS SHAFT LOCKING

D	SERIE	STAINLESS STEEL BEARING AISI 440																COVER CODES											
		Support CODES		DIMENSIONS (mm)														Bearing load (N)		Bearings support load		GREY RAL 7042		BLUERAL 5015		ORANGERAL 2004		RED RAL 3000	
		Standard bearing	Long Life bearing	E	A	B	C	F	S	G	I	Z	U	T	DF	C	C0	(N)	Closed	Open	Closed	Open	Closed	Open	Closed	Open			
		Blue Ral 5005		Max	Min																								
20	UCFB204CX	89162	90054	41,3	126	72	46	28,6	10,5	19	18	36	47	49,5	45	40	8300	6600	8500	80254	80255	87259	83901	82305	82306	87540	87541		
25	UCFB205CX	89163	90055	41,3	126	72	46	28,6	10,5	19	17	36,5	47	49,5	50	45	9150	7800	9000	80075	80076	85384	85385	82276	82277	87542	87543		
30	UCFB206CX	89164	90056	47,6	142	85	52,4	32	10,5	26,3	20,7	41,7	53,2	53,7	60	50	12500	11200	11000	80011	80053	84100	80354	82278	82279	87531	87530		
35	UCFB207CX	89165	90057	51	155	94	60,5	32	10,5	26,3	20	45,3	56,5	59	70	55	16600	15300	13000	80077	80078	80969	80275	82284	82285	87544	87545		
40	UCFB208CX	89166	90058	50	165	100	60,5	41	10,5	26,3	19,5	48,5	65,5	68	78	65	20000	19000	18000	80256	80257	83088	86722	82280	82281	87528	82804		

GRUB SCREWS SHAFT LOCKING - VERSIONS WITH MEASURES IN INCHES

D	SERIE	CHROME STEEL BEARING																COVER CODES											
		Support CODES		DIMENSIONS (mm)														Bearing load (N)		Bearings support load		GREY RAL 7042		BLUERAL 5015		ORANGERAL 2004		RED RAL 3000	
		Standard bearing	Long Life bearing	E	A	B	C	F	S	G	I	Z	U	T	DF	C	C0	(N)	Closed	Open	Closed	Open	Closed	Open	Closed	Open			
		Blue Ral 5005		Max	Min																								
1"	25,4	UCFB205CX	89227	90059	41,3	126	72	46	28,6	10,5	19	17	36,5	47	49,5	50	45	14000	7800	9000	80075	85202	85384	87273	82276	87660	87542	87663	
1 1/4"	31,75	UCFB206CX	89228	90060	47,6	142	85	52,4	32	10,5	26,3	20,7	41,7	53,2	53,7	60	50	19500	11300	11000	80011	85203	84100	87274	82278	87661	87531	87664	

Inch dimensions conform to the British Imperial system



Side flanged bearing supports

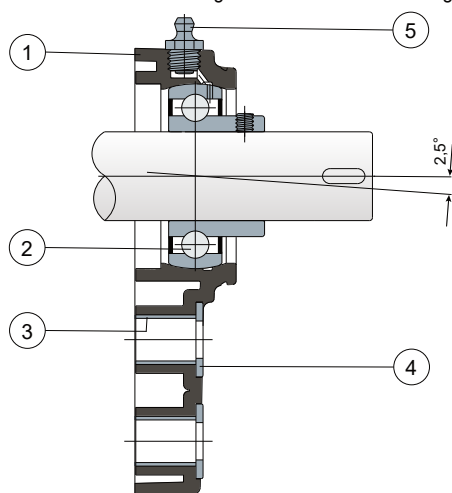
Serie **UCFB**



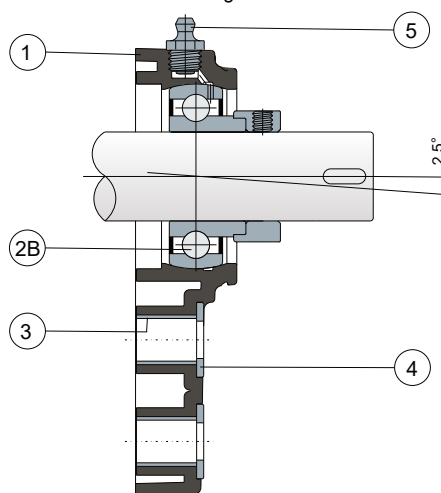
Long Life bearings: life long lubrication.

NEW

Grub screws shaft locking - Without cover and back gasket



Eccentric collar shaft locking - Without cover and back gasket



- 1) Housing made out of black or white colour polyamide reinforced with glass fibers.
- 2) Chrome steel or stainless steel bearing AISI 440. 2B) Chrome steel bearing.
- 3) Spacer for fixing reinforcement made out of stainless steel AISI 304.
- 4) UNI 6592 support washer made out of stainless steel AISI 304.
- 5) Greaser, straight type with 1/8 gas thread, made out of nickel-plated brass (absent in the versions with Long Life bearing).

NOTE: The back gasket and the protection cover can be ordered separately as accessories; in the Long Life version, the greaser is absent and the lubrication channel is protected by a rubber cap.

Support dimensions respect ISO 3228 set of rules. Maximum shaft alignment error 2,5°
For further information please contact our technical office or sales department.

MATERIALS: Housing is made out of PA + glass fiber in black or white colours; bearing with grub screws shaft locking in chrome steel or stainless steel; bearing with eccentric collar shaft locking in chrome steel; greaser made out of nickel plated brass; reinforcement bushings and washers made out of stainless steel AISI 304; gaskets made out of NBR rubber; cover made out of polypropylene grey Ral 7042, blue Ral 5015, orange Ral 2004 or red Ral 3000 colour. FEATURES: The back gasket and the protection cover can be ordered separately as accessories. Assembly with shouldered and not shouldered shafts. Maximum shaft alignment error 2.5°.

BOX QUANTITY: 8 pieces.

ON REQUEST: Versions with body in polypropylene + glass fiber and antibacterial additive; protection covers in different colours and with customized brand; box quantity according to your request; Viton gaskets.



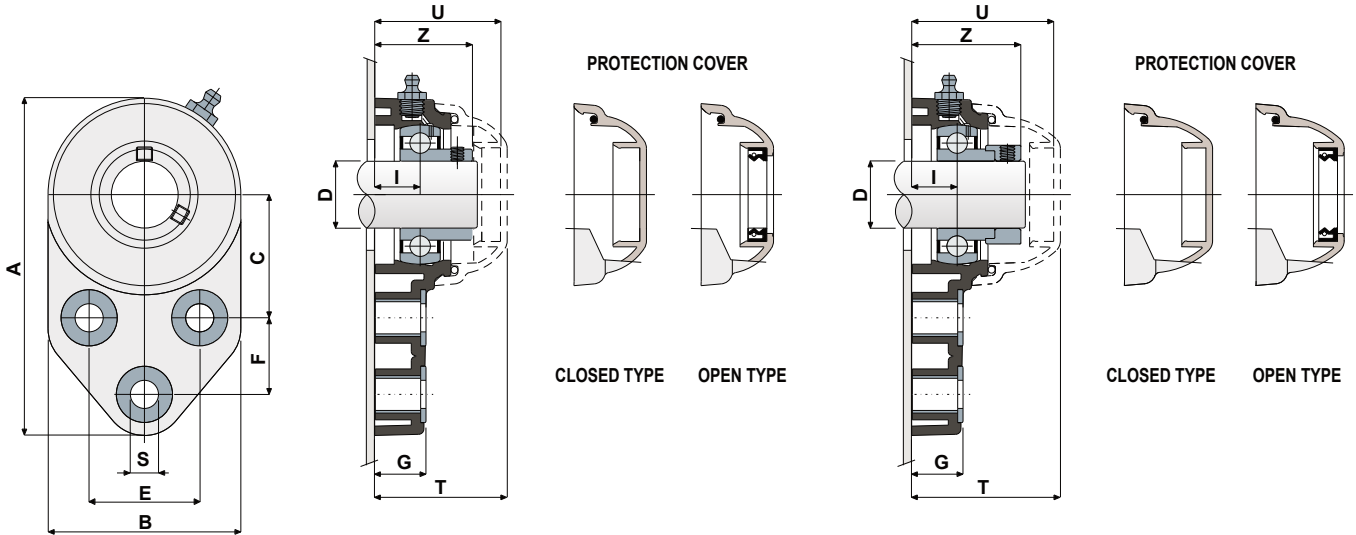
Side flanged bearing supports

Technical data

Serie **UCFB**

GRUB SCREWS SHAFT LOCKING

ECCENTRIC COLLAR SHAFT LOCKING



GRUB SCREWS SHAFT LOCKING

D	SERIE	CHROME STEEL BEARING														BEARING LOAD (N)								COVER CODES							
		Support CODES				DIMENSIONS (mm)										C		C0		(N)		GREY RAL 7042		BLUERAL 5015		ORANGERAL 2004		RED RAL 3000			
		Standard bearing		Long Life bearing		E	A	B	C	F	S	G	I	Z	U	T	C	C0	(N)		Closed	Open	Closed	Open	Closed	Open	Closed	Open			
		Black	White	Black	White																										
20	UCFB204	83025	84748	87601	90064	41,3	126	72	46	28,6	10,5	19	18	36	47	49,5	12800	6600	8500	80254	80255	87259	83901	82305	82306	87540	87541				
25	UCFB205	82773	84749	90061	90065	41,3	126	72	46	28,6	10,5	19	17	36,5	47	49,5	14000	7800	9000	80075	80076	85384	85385	82276	82277	87542	87543				
30	UCFB206	84060	84750	88335	90066	47,6	142	85	52,4	32	10,5	26,3	20,7	41,7	53,2	55,7	19500	11300	11000	80011	80053	84100	80354	82278	82279	87531	87530				
35	UCFB207	84061	84751	90062	90067	51	155	94	60,5	32	10,5	26,3	20	45,3	56,5	59	25500	15300	13000	80077	80078	80969	80275	82284	82285	87544	87545				
40	UCFB208	83029	84752	90063	90068	50	165	100	60,5	41	10,5	26,3	19,5	48,5	65,5	68	32500	19800	18000	80256	80257	83088	86722	82280	82281	87528	82804				

ECCENTRIC COLLAR SHAFT LOCKING

D	SERIE	CHROME STEEL BEARING														BEARING LOAD (N)				COVER CODES			
		Support CODES				DIMENSIONS (mm)										C		C0		(N)		GREY RAL 7042	
		Standard bearing		Long Life bearing		E	A	B	C	F	S	G	I	Z	U	T	C	C0	(N)		Closed	Open	
		Black	White	Black	White																		
20	UCFB204	88564	88569	90069	90074	41,3	126	72	46	28,6	10,5	19	18	41,5	54	56,5	12800	6600	8500	88371	88372		
25	UCFB205	88565	88570	90070	90075	41,3	126	72	46	28,6	10,5	19	17	40,5	52,9	55,4	14000	7800	9000	88373	88374		
30	UCFB206	88566	88571	90071	90076	47,6	142	85	52,4	32	10,5	26,3	20,7	47,4	59,4	61,9	19500	11300	11000	88375	88376		
35	UCFB207	88567	88572	90072	90077	51	155	94	60,5	32	10,5	26,3	20	49,3	61,3	63,8	25500	15300	13000	88377	88378		
40	UCFB208	88568	88573	90073	90078	50	165	100	60,5	41	10,5	26,3	19,5	52,2	65,5	68	32500	19800	18000	80256	80257		

GRUB SCREWS SHAFT LOCKING

D	SERIE	STAINLESS STEEL BEARING AISI 440														BEARING LOAD (N)								COVER CODES							
		Support CODES				DIMENSIONS (mm)										C		C0		(N)		GREY RAL 7042		BLUERAL 5015		ORANGERAL 2004		RED RAL 3000			
		Standard bearing		Long Life bearing		E	A	B	C	F	S	G	I	Z	U	T	C	C0	(N)		Closed	Open	Closed	Open	Closed	Open	Closed	Open			
		Black	White	Black	White																										
20	UCFB204	83042	84753	90079	90084	41,3	126	72	46	28,6	10,5	19	18	36	47	49,5	8300	6600	8500	80254	80255	87259	83901	82305	82306	87540	87541				
25	UCFB205	82777	84754	90080	90085	41,3	126	72	46	28,6	10,5	19	17	36,5	47	49,5	9150	7800	9000	80075	80076	85384	85385	82276	82277	87542	87543				
30	UCFB206	84062	84755	90081	90086	47,6	142	85	52,4	32	10,5	26,3	20,7	41,7	53,2	55,7	12500	11200	11000	80011	80053	84100	80354	82278	82279	87531	87530				
35	UCFB207	84063	84756	90082	90087	51	155	94	60,5	32	10,5	26,3	20	45,3	56,5	59	16600	15300	13000	80077	80078	80969	80275	82284	82285	87544	87545				
40	UCFB208	83044	84757	90083	90088	50	165	100	60,5	41	10,5	26,3	19,5	48,5	65,5	68	20000	19000	18000	80256	80257	83088	86722	82280	82281	87528	82804				

GRUB SCREWS SHAFT LOCKING - VERSIONS WITH MEASURES IN INCHES

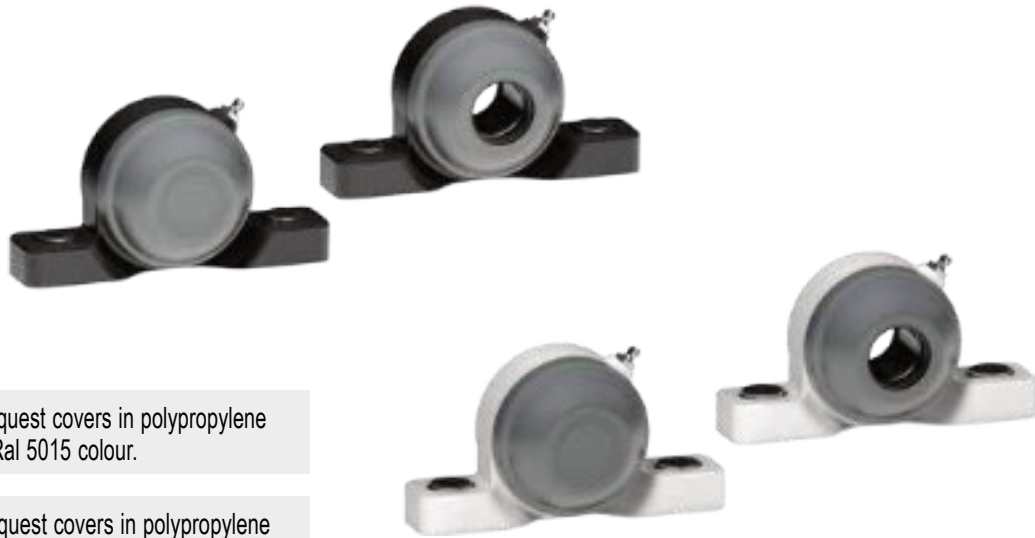
D	SERIE	CHROME STEEL BEARING														BEARING LOAD (N)				COVER CODES									
		Support CODES				DIMENSIONS (mm)										C		C0		(N)		GREY RAL 7042		BLUERAL 5015		ORANGERAL 2004		RED RAL 3000	
		Standard bearing		Long Life bearing		E	A	B	C	F	S	G	I	Z	U	T	C	C0	(N)		Closed	Open	Closed	Open	Closed	Open	Closed	Open	
		(inches)	(mm)	Black	White	Black	White																						
1"	25,4	UCFB205	84529	84919	90089	90091	41,3	126	72	46	28,6	10,5	19	17	36,5	47	49,5	14000	7800	9000	80075	85202	85384	87273	82276	87660	87542	87663	
1 1/4"	31,75	UCFB206	84530	84920	90090	90092	47,6	142	85	52,4	32	10,5	26,3	20,7	41,7	53,2	55,7	19500	11300	11000	80011	85203	84100	87274	82278	87661	87531	87664	

Inch dimensions conform to the British Imperial system



Pillow Blocks



Serie **UCP/C**



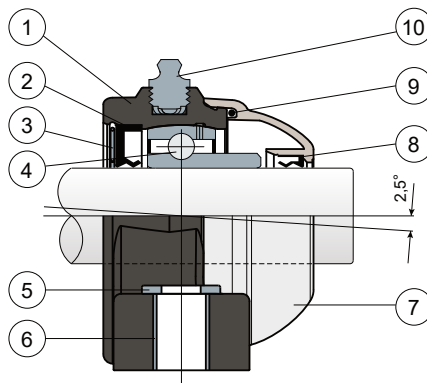
 On request covers in polypropylene blue Ral 5015 colour.

 On request covers in polypropylene orange Ral 2004 colour.

 On request covers in polypropylene red Ral 3000 colour.

 Long Life bearings: life long lubrication. 

Full protection of bearing



- 1) Housing made out of black or white colour polyamide reinforced with glass fibers.
- 2) Back gasket made out of NBR rubber for turning shaft seal.
- 3) Safety ring in stainless steel AISI 304.
- 4) Chrome steel or stainless steel bearing AISI 440.
- 5) UNI 6592 support washer made out of stainless steel AISI 304.
- 6) Spacer for fixing reinforcement made out of stainless steel AISI 304.
- 7) Protection cover made out of polypropylene (grey colour Ral 7042).
- 8) Front gasket made out of NBR rubber for turning shaft seal.
- 9) OR gasket made out of NBR rubber.
- 10) Greaser, straight type with 1/8 gas thread, made out of nickel-plated brass (absent in the versions with Long Life bearing).

N.B.: In the Long Life version, the greaser is absent and the lubrication channel is protected by a rubber cap.

Support dimensions respect ISO 3228 set of rules. Maximum shaft alignment error 2,5°. For further information please contact our technical office or sales department.

MATERIALS: Housing is made out of PA + glass fiber in black or white colours; chrome steel or stainless steel bearing; greaser made out of nickel plated brass; reinforcement bushings, washers and safety ring made out of stainless steel AISI 304; gaskets made out of NBR rubber; cover made out of grey RAL 7042 colour polypropylene.

FEATURES: Full protection of bearing against external agents. Assembly with not shouldered shafts. Maximum shaft alignment error 2,5°.

BOX QUANTITY: 8 pieces.

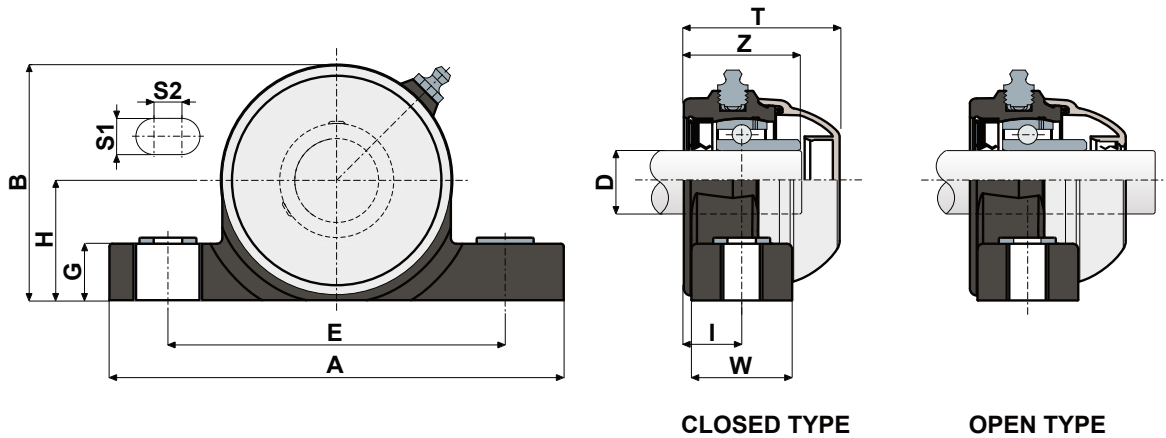
ON REQUEST: Versions with body in polypropylene + glass fiber and antibacterial additive; supports with eccentric collar shaft locking with chrome steel bearing; protection covers in different colours and with customized brand; box quantity according to your request; Viton gaskets.



Pillow Blocks

Technical data

Serie **UCP/C**



CHROME STEEL BEARING																								
D	SERIE	CODES								DIMENSIONS (mm)										Bearing load (N)		Bearing support load		
		Standard bearing				Long Life bearing				E	A	S1	S2	G	H	B	I	W	Z	T	C	C0	(N)	
		Black		White		Black		White																
		Closed	Open	Closed	Open	Closed	Open	Closed	Open															
20	UCP204 C	84076	84077	84758	84759	90093	90094	90101	90102	96	130	13		10	20	33,5	65,5	18	30	36	49	12800	6600	5750
25	UCP205 C	83682	83683	84760	84761	88590	88428	90103	90104	106	140	13		10	20	36,5	71,5	19,6	35	39	51,7	14000	7800	6900
30	UCP206 C	83684	83685	84762	84763	90095	90096	90105	90106	121	163	13		10	20	43	84,5	20,7	36	41,7	55,7	19500	11300	9200
35	UCP207 C	83686	83687	84764	84765	90097	90098	90107	90108	126	168	13		10	20	47,6	93,3	22,7	39	48	61,8	25500	15300	11500
40	UCP208 C	85441	85443	85445	85446	90099	90100	90109	90110	136	185	13		10	20	50	100	22,5	38,6	51,5	70,7	32500	19800	11500

STAINLESS STEEL BEARING AISI 440																								
D	SERIE	CODES								DIMENSIONS (mm)										Bearing load (N)		Bearing support load		
		Standard bearing				Long Life bearing				E	A	S1	S2	G	H	B	I	W	Z	T	C	C0	(N)	
		Black		White		Black		White																
		Closed	Open	Closed	Open	Closed	Open	Closed	Open															
20	UCP204 C	84078	84079	84766	84767	90111	90112	90119	90120	96	130	13		10	20	33,5	65,5	18	30	36	49	8300	6600	5750
25	UCP205 C	83696	83697	84768	84769	90113	90114	90121	90122	106	140	13		10	20	36,5	71,5	19,6	35	39	51,7	9150	7800	6900
30	UCP206 C	83698	83699	84770	84771	87416	87417	90123	90124	121	163	13		10	20	43	84,5	20,7	36	41,7	55,7	12500	11200	9200
35	UCP207 C	83700	83701	84772	84773	90115	90116	90125	90126	126	168	13		10	20	47,6	93,3	22,7	39	48	61,8	16600	15300	11500
40	UCP208 C	85447	85448	85449	85450	90117	90118	90127	90128	136	185	13		10	20	50	100	22,5	38,6	51,5	70,7	20000	19000	11500

VERSIONS WITH MEASURES IN INCHES

CHROME STEEL BEARING																								
D	SERIE	CODES								DIMENSIONS (mm)										Bearing load (N)		Bearing support load		
		Standard bearing				Long Life bearing				E	A	S1	S2	G	H	B	I	W	Z	T	C	C0	(N)	
		Black		White		Black		White																
		Closed	Open	Closed	Open	Closed	Open	Closed	Open															
1"	UCP205 C	84531	84532	84923	84924	90129	90130	90133	90134	106	140	13	10	20	36,5	71,5	19,6	35	39	51,7	14000		7800	6900
1 1/4"	UCP206 C	84533	84534	84925	84926	90131	90132	90135	90136	121	163	13	10	20	43	84,5	20,7	36	41,7	55,7	19500	11300		9200

Inch dimensions conform to the British Imperial system



Pillow Blocks (S Solid)


Serie **UCP/C**




 On request covers in polypropylene blue Ral 5015 colour.

 On request covers in polypropylene grey Ral 7042 colour.

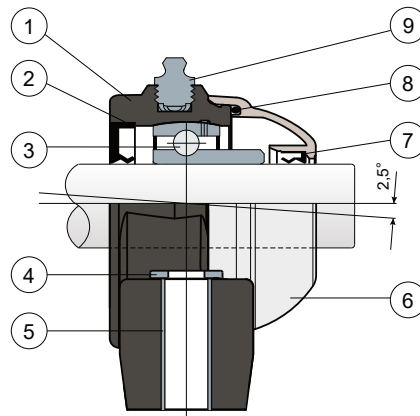
 On request covers in polypropylene red Ral 3000 colour.

 Self-aligning bearings with Solid body: completely closed surface to guarantee the max hygiene.

 Long Life bearings: life long lubrication.

NEW

Full protection of bearing



- 1) Housing made out of blue Ral 5005 colour polyamide reinforced with glass fibers.
- 2) Back gasket made out of NBR rubber for turning shaft seal.
- 3) Chrome steel or stainless steel bearing AISI 440.
- 4) UNI 6592 support washer made out of stainless steel AISI 304.
- 5) Spacer for fixing reinforcement made out of stainless steel AISI 304.
- 6) Protection cover made out of polypropylene (orange Ral 2004 colour).
- 7) Front gasket made out of NBR rubber for turning shaft seal.
- 8) OR gasket made out of NBR rubber.
- 9) Greaser, straight type with 1/8 gas thread, made out of stainless steel AISI 303 (absent in the versions with Long Life bearing).

N.B.: In the Long Life version, the greaser is absent and the lubrication channel is protected by a rubber cap.

Support dimensions respect ISO 3228 set of rules Maximum shaft alignment error 2,5°
For further information please contact our technical office or sales department.

MATERIALS: Support made out of blue Ral 5005 colour PA + glass fiber; chrome steel or stainless steel bearing; greaser made out of stainless steel; reinforcement bushings and washers made out of stainless steel AISI 304; gaskets made out of NBR rubber; cover made out of orange Ral 2004 colour polypropylene.
FEATURES: Full protection of bearing against external agents. Assembly with not shouldered shafts. The reduced contact surface of the base of the support allows maximum sanitation. Maximum shaft alignment error 2.5°.

BOX QUANTITY: 8 pieces.

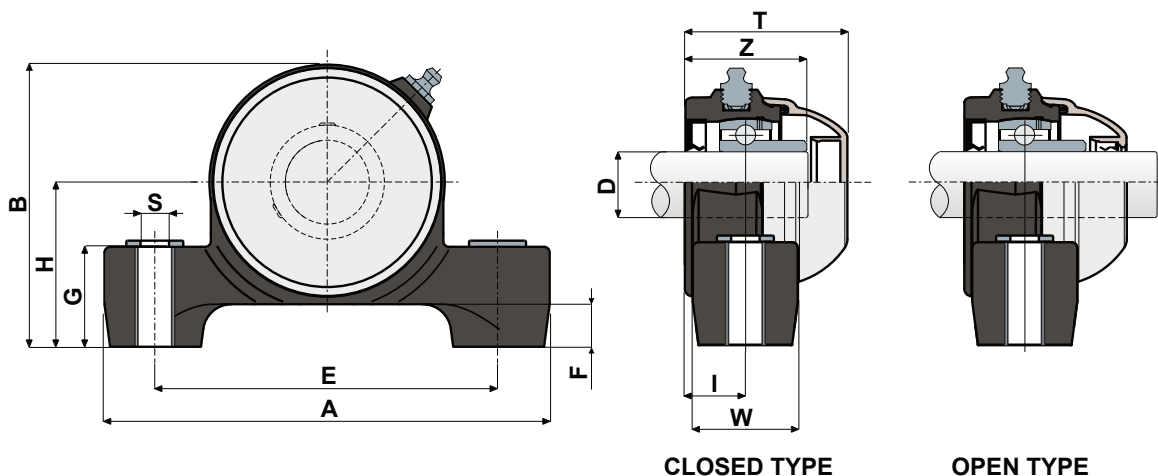
ON REQUEST: Versions with body in polypropylene + glass fiber and antibacterial additive; supports with eccentric collar shaft locking with chrome steel bearing; protection covers in different colours and with customized brand; box quantity according to your request; Viton gaskets.



Pillow Blocks (S Solid)

Technical data

Serie **UCP/C**



CHROME STEEL BEARING																			
D	SERIE	CODES				DIMENSIONS(mm)										Bearing load (N)		Bearing support load	
		Standard bearing		Long Life bearing		E	A	S	F	G	H	B	I	W	Z	T	C	C0	(N)
		Blue Ral 5005																	
		Closed	Open	Closed	Open														
25	UCP205 C	88642	88643	90137	90138	106	141	10,5	15	34,5	51,5	86,5	19,6	35	39	51,7	14000	7800	6900
30	UCP206 C	88399	88400	90139	90140	121	157	10,5	15	34,5	58	99,5	20,7	36	42,7	55,6	19500	11300	9200

STAINLESS STEEL BEARING AISI 440																			
D	SERIE	CODES				DIMENSIONS(mm)										Bearing load (N)		Bearing support load	
		Standard bearing		Long Life bearing		E	A	S	F	G	H	B	I	W	Z	T	C	C0	(N)
		Blue Ral 5005																	
		Closed	Open	Closed	Open														
25	UCP205 C	88645	88646	90141	90142	106	141	10,5	15	34,5	51,5	86,5	19,6	35	39	51,7	9150	7800	6900
30	UCP206 C	88639	88640	90143	90144	121	157	10,5	15	34,5	58	99,5	20,7	36	42,7	55,6	12500	11200	9200



Pillow Blocks

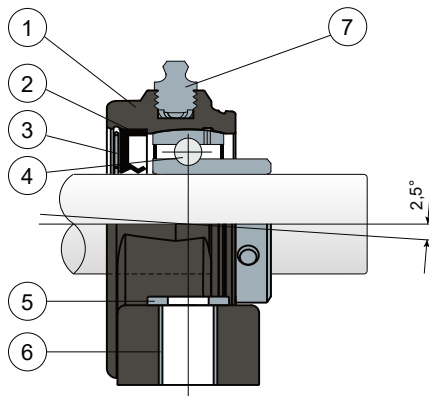
Serie **UCP/CX**



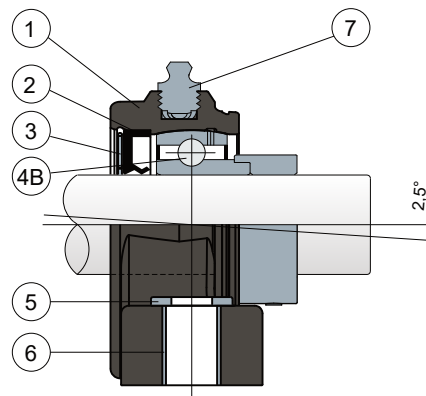
Long Life bearings: life long lubrication.



Grub screws shaft locking - Without protection cover



Eccentric collar shaft locking - Without protection cover



- 1) Housing made out of black, white or blue Ral 5005 colour polyamide reinforced with glass fibers.
- 2) Back gasket made out of NBR rubber for turning shaft seal.
- 3) Safety ring in stainless steel AISI 304.
- 4) Chrome steel or stainless steel bearing AISI 440. 4B) Chrome steel bearing.
- 5) UNI 6592 support washer made out of stainless steel AISI 304.
- 6) Spacer for fixing reinforcement made out of stainless steel AISI 304.
- 7) Greaser, straight type with 1/8 gas thread, made out of nickel-plated brass (absent in the versions with Long Life bearing).

NOTE: The protection cover can be ordered separately as an accessory; in the Long Life version, the greaser is absent and the lubrication channel is protected by a rubber cap.

Support dimensions respect ISO 3228 set of rules. Maximum shaft alignment error 2,5°. For further information please contact our technical office or sales department.

MATERIALS: Housing is made out of PA + glass fiber in black, white or blue Ral 5005 colours; bearing with grub screws shaft locking in chrome steel or stainless steel; bearing with eccentric collar shaft locking in chrome steel; greaser made out of nickel plated brass; reinforcement bushings, washers and safety ring made out of stainless steel AISI 304; gaskets made out of NBRubber; cover made out of polypropylene grey Ral 7042, blue Ral 5015, orange Ral 2004 or red Ral 3000 colour. FEATURES: The protection cover can be ordered separately as an accessory. Assembly with not shouldered shafts. Maximum shaft alignment error 2,5°. BOX QUANTITY: 8 pieces.

ON REQUEST: Versions with body in polypropylene + glass fiber and antibacterial additive; protection covers in different colours and with customized brand; box quantity according to your request; Viton gaskets.



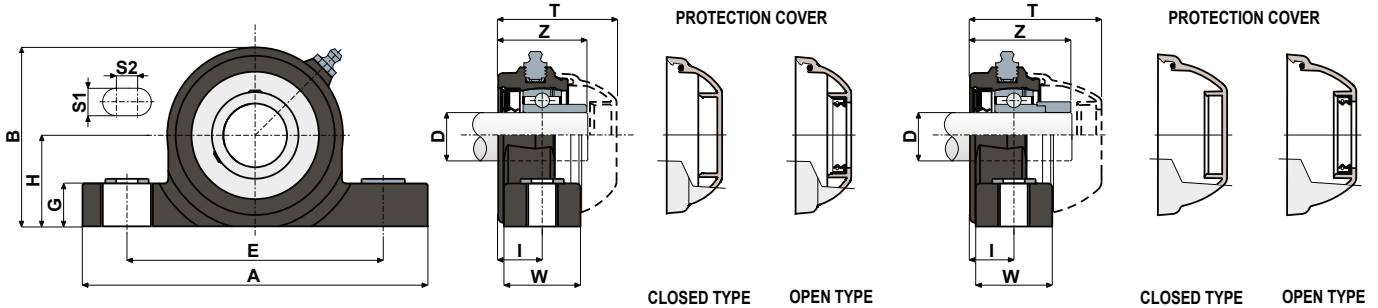
Pillow Blocks

Technical data

Serie **UCP/CX**

GRUB SCREWS SHAFT LOCKING

ECCENTRIC COLLAR SHAFT LOCKING



GRUB SCREWS SHAFT LOCKING

D	SERIE	CHROME STEEL BEARING																COVER CODES												
		Support CODES						DIMENSIONS (mm)										Bearing load (N)		Bearings support load		GREYRAL7042		BLUERAL5015		ORANGERAL2004		REDRAL3000		
		Standard bearing			Long Life bearing			E	A	S1	S2	G	H	B	I	W	Z	T	C	CO	(N)	Closed	Open	Closed	Open	Closed	Open	Closed	Open	
		Black	White	Blue Rai5005	Black	White	Blue Rai5005																							
20	UCP204 CX	84080	84774	87753	90145	90149	90154	96	130	13	10	20	33,5	65,5	18	30	36	49	12800	6600		5750	80254	80255	87259	83901	82305	82306	87540	87541
25	UCP205 CX	83688	84775	87754	90146	90150	90155	106	140	13	10	20	36,5	71,5	19,6	35	39	51,7	14000	7800		6900	80075	80076	85384	85385	82276	82277	87542	87543
30	UCP206 CX	83689	84776	87755	88673	90151	90156	121	163	13	10	20	43	84,5	20,7	36	41,7	55,7	19500	11300		9200	80011	80053	84100	80354	82278	82279	87531	87530
35	UCP207 CX	83690	84777	87756	90147	90152	90157	126	168	13	10	20	47,6	93,3	22,7	39	48	61,8	25500	15300		11500	80077	80078	80969	80275	82284	82285	87544	87545
40	UCP208 CX	85451	85452	87757	90148	90153	90158	136	185	13	10	20	50	100	22,5	38,6	51,5	70,7	32500	19800		11500	80256	80257	83088	86722	82280	82281	87528	82804

ECCENTRIC COLLAR SHAFT LOCKING

D	SERIE	CHROME STEEL BEARING																COVER CODES							
		Support CODES						DIMENSIONS (mm)										Bearing load (N)		Bearings support load		GREYRAL7042			
		Standard bearing			Long Life bearing			E	A	S1	S2	G	H	B	I	W	Z	T	C	CO	(N)	Closed	Open		
		Black	White	Blue Rai5005	Black	White	Blue Rai5005																		
20	UCP204 CX	88574	88579	88584	90159	90164	90169	96	130	13	10	20	33,5	65,5	18	30	41,6	46	12800	6600		5750	88371	88372	
25	UCP205 CX	88575	88580	88585	90160	90165	90170	106	140	13	10	20	36,5	71,5	19,6	35	43	57,6	14000	7800		6900	88373	88374	
30	UCP206 CX	88576	88581	88586	90161	90166	90171	121	163	13	10	20	43	84,5	20,7	36	47,4	61,8	19500	11300		9200	88375	88376	
35	UCP207 CX	88577	88582	88587	90162	90167	90172	126	168	13	10	20	47,6	93,3	22,7	39	52	66,6	25500	15300		11500	88377	88378	
40	UCP208 CX	88578	88583	88588	90163	90168	90173	136	185	13	10	20	50	100	22,5	38,6	55,2	70,9	32500	19800		11500	80256	80257	

GRUB SCREWS SHAFT LOCKING

D	SERIE	STAINLESS STEEL BEARING AISI440																COVER CODES												
		Support CODES						DIMENSIONS (mm)										Bearing load (N)		Bearings support load		GREYRAL7042		BLUERAL5015		ORANGERAL2004		REDRAL3000		
		Standard bearing			Long Life bearing			E	A	S1	S2	G	H	B	I	W	Z	T	C	CO	(N)	Closed	Open	Closed	Open	Closed	Open	Closed	Open	
		Black	White	Blue Rai5005	Black	White	Blue Rai5005																							
20	UCP204 CX	84081	84778	87762	85324	85840	88393	96	130	13	10	20	33,5	65,5	18	30	36	49	8300	6600		5750	80254	80255	87259	83901	82305	82306	87540	87541
25	UCP205 CX	83702	84779	87763	84238	86179	88880	106	140	13	10	20	36,5	71,5	19,6	35	39	51,7	9150	7800		6900	80075	80076	85384	85385	82276	82277	87542	87543
30	UCP206 CX	83703	84780	87764	90174	87526	90178	121	163	13	10	20	43	84,5	20,7	36	41,7	55,7	12500	11200		9200	80011	80053	84100	80354	82278	82279	87531	87530
35	UCP207 CX	83704	84781	87765	86699	90176	90179	126	168	13	10	20	47,6	93,3	22,7	39	48	61,8	16600	15300		11500	80077	80078	80969	80275	82284	82285	87544	87545
40	UCP208 CX	85453	85454	87766	90175	90177	90180	136	185	13	10	20	50	100	22,5	38,6	51,5	70,7	20000	19000		11500	80256	80257	83088	86722	82280	82281	87528	82804

GRUB SCREWS SHAFT LOCKING - VERSIONS WITH MEASURES IN INCHES

D	SERIE	CHROME STEEL BEARING																COVER CODES													
		Support CODES						DIMENSIONS (mm)										Bearing load (N)		Bearings support load		GREYRAL7042		BLUERAL5015		ORANGERAL2004		REDRAL3000			
		Standard bearing			Long Life bearing			E	A	S1	S2	G	H	B	I	W	Z	T	C	CO	(N)	Closed	Open	Closed	Open	Closed	Open	Closed	Open		
		Black	White	Blue Rai5005	Black	White	Blue Rai5005																								
1"	254	UCP205 CX	84535	84931	87767	90181	90183	90185	106	140	13	10	20	36,5	71,5	19,6	35	39	51,7	14000	7800		6900	80075	85202	85384	87273	82276	87660	87542	87663
1 1/4"	31,75	UCP206 CX	84536	84932	87768	90182	90184	90186	121	163	13	10	20	43	84,5	20,7	36	41,7	55,7	19500	11300		9200	80011	85203	84100	87274	82278	87661	87531	87664

Inch dimensions conform to the British Imperial system



Pillow Blocks (S Solid)

Serie **UCP/CX**



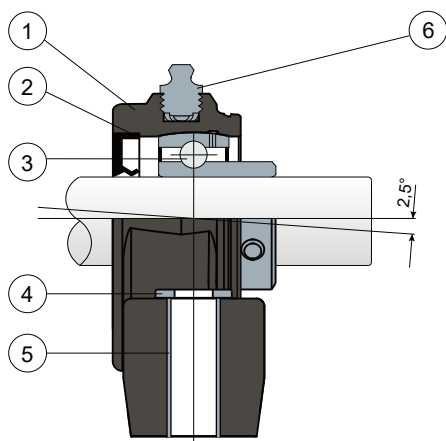
Self-aligning bearings with Solid body: completely closed surface to guarantee the max hygiene.



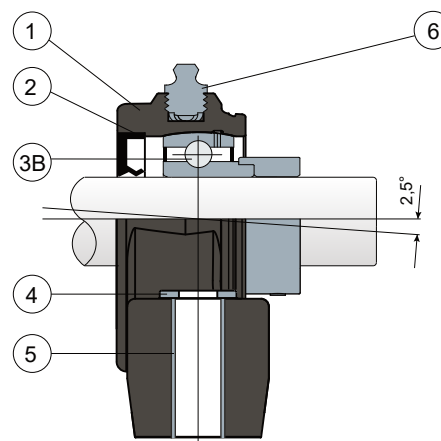
Long Life bearings: life long lubrication.



Grub screws shaft locking - Without protection cover



Eccentric collar shaft locking - Without protection cover



- 1) Housing made out of blue Ral 5005 colour polyamide reinforced with glass fibers.
- 2) Back gasket made out of NBR rubber for turning shaft seal.
- 3) Chrome steel or stainless steel bearing AISI 440. 3B) Chrome steel bearing.
- 4) UNI 6592 support washer made out of stainless steel AISI 304.
- 5) Spacer for fixing reinforcement made out of stainless steel AISI 304.
- 6) Greaser, straight type with 1/8 gas thread, made out of stainless steel AISI 303 (absent in the versions with Long Life bearing).

NOTE: The protection cover can be ordered separately as an accessory; in the Long Life version, the greaser is absent and the lubrication channel is protected by a rubber cap.

Support dimensions respect ISO 3228 set of rules Maximum shaft alignment error 2,5°
For further information please contact our technical office or sales department.

MATERIALS: Support made out of blue Ral 5005 colour PA + glass fiber; bearing with grub screws shaft locking in chrome steel or stainless steel; bearing with eccentric collar shaft locking in chrome steel; greaser made out of stainless steel; reinforcement bushings and washers made out of stainless steel AISI 304; gaskets made out of NBR rubber; cover made out of polypropylene grey Ral 7042, blue Ral 5015, orange Ral 2004, red Ral 3000 colour.
FEATURES: The protection cover can be ordered separately as an accessory. The reduced contact surface of the base of the support allows maximum sanification. Assembly with not shouldered shafts. Maximum shaft alignment error 2.5°.

BOX QUANTITY: 8 pieces.

ON REQUEST: Versions with body in polypropylene + glass fiber and antibacterial additive; protection covers in different colours and with customized brand; box quantity according to your request; Viton gaskets; available without NBR rubber back gasket for turning shaft seal.



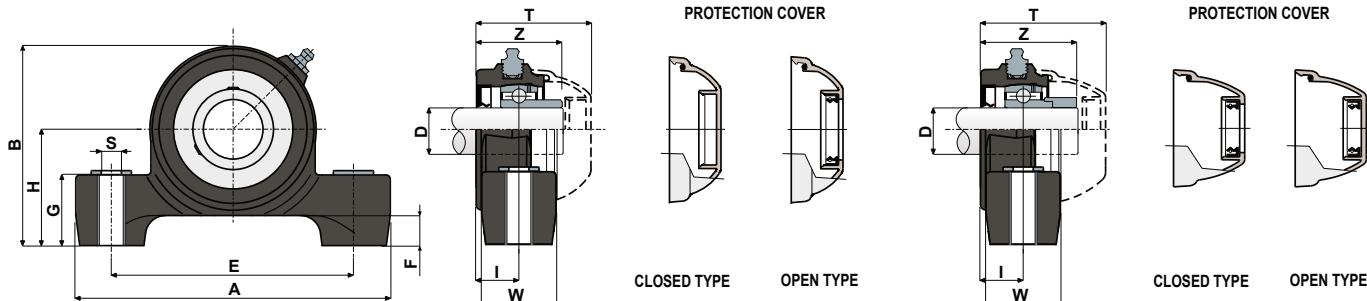
Pillow Blocks (S Solid)

Technical data

Serie **UCP/CX**

GRUB SCREWS SHAFT LOCKING

ECCENTRIC COLLAR SHAFT LOCKING



GRUB SCREWS SHAFT LOCKING

D	SERIE	CHROME STEEL BEARING													COVER CODES										
		Support CODES		DIMENSIONS (mm)											Bearing load (N)		Bearingsupportload	GREY RAL7042		BLUERAL5015		ORANGERAL2004		RED RAL3000	
		Standard bearing	Long Life bearing	E	A	S	F	G	H	B	I	W	Z	T	C	C0	(N)	Closed	Open	Closed	Open	Closed	Open	Closed	Open
		Blue Ral 5005																							
25	UCP205 CX S	88644	90187	106	141	10,5	15	34,5	51,5	86,5	19,6	35	39	51,7	14000	7800	6900	80075	80076	85384	85385	82276	82277	87542	87543
30	UCP206 CX S	88401	90188	121	157	10,5	15	34,5	58	99,5	20,7	36	42,7	55,6	19000	11300	9200	80011	80053	84100	80354	82278	82279	87531	87530

ECCENTRIC COLLAR SHAFT LOCKING

D	SERIE	CHROME STEEL BEARING													COVER CODES								
		Support CODES		DIMENSIONS (mm)											Bearing load (N)		Bearingsupportload	GREY RAL7042					
		Standard bearing	Long Life bearing	E	A	S	F	G	H	B	I	W	Z	T	C	C0	(N)	Closed	Open				
		Blue Ral 5005																					
25	UCP205 CX S	88650	90189	106	141	10,5	15	34,5	51,5	86,5	19,6	35	43	57,5	14000	7800	6900	88373	88374				
30	UCP206 CX S	88651	90190	121	157	10,5	15	34,5	58	99,5	20,7	36	47,4	61,6	19000	11300	9200	88375	88376				

GRUB SCREWS SHAFT LOCKING

D	SERIE	STAINLESS STEEL BEARING AISI 440													COVER CODES										
		Support CODES		DIMENSIONS (mm)											Bearing load (N)		Bearingsupportload	GREY RAL7042		BLUERAL5015		ORANGERAL2004		RED RAL3000	
		Standard bearing	Long Life bearing	E	A	S	F	G	H	B	I	W	Z	T	C	C0	(N)	Closed	Open	Closed	Open	Closed	Open	Closed	Open
		Blue Ral 5005																							
25	UCP205 CX S	88647	90191	106	141	10,5	15	34,5	51,5	86,5	19,6	35	39	51,7	9130	7800	6900	80075	80076	85384	85385	82276	82277	87542	87543
30	UCP206 CX S	88641	90192	121	157	10,5	15	34,5	58	99,5	20,7	36	42,7	55,6	12500	11200	9200	80011	80053	84100	80354	82278	82279	87531	87530



Pillow Blocks

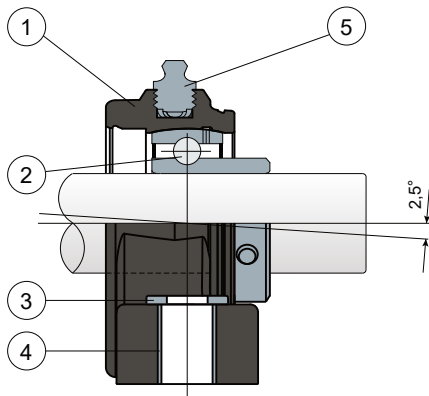
Serie **UCP**



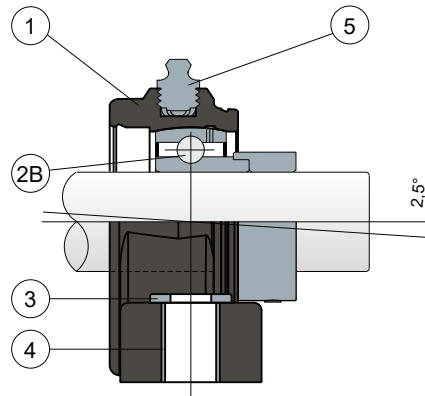
Long Life bearings: life long lubrication.



Grub screws shaft locking
Without cover and back gasket



Eccentric collar shaft locking
Without cover and back gasket



- 1) Housing made out of black, white or blue Ral 5005 colour polyamide reinforced with glass fibers.
- 2) Chrome steel or stainless steel bearing AISI 440. 2B) Chrome steel bearing.
- 3) UNI 6592 support washer made out of stainless steel AISI 304.
- 4) Spacer for fixing reinforcement made out of stainless steel AISI 304.
- 5) Greaser, straight type with 1/8 gas thread, made out of nickel-plated brass (absent in the versions with Long Life bearing).

NOTE: The back gasket and the protection cover can be ordered separately as accessories; in the Long Life version, the greaser is absent and the lubrication channel is protected by a rubber cap.

Support dimensions respect ISO 3228 set of rules. Maximum shaft alignment error 2,5°.
For further information please contact our technical office or sales department.

MATERIALS: Housing is made out of PA + glass fiber in black, white or blue Ral 5005 colours; bearing with grub screws shaft locking in chrome steel or stainless steel; bearing with eccentric collar shaft locking in chrome steel; greaser made out of nickel plated brass; reinforcement bushings and washers made out of stainless steel AISI 304; gaskets made out of NBRrubber; cover made out of polypropylene grey Ral 7042, blue Ral 5015, orange Ral 2004 or red Ral 3000 colour.

FEATURES: The back gasket and the protection cover can be ordered separately as accessories. Assembly with shouldered and not shouldered shafts. Maximum shaft alignment error 2,5°.

BOX QUANTITY: 8 pieces.

ON REQUEST: Versions with body in polypropylene + glass fiber and antibacterial additive; protection covers in different colours and with customized brand; box quantity according to your request; Viton gaskets.



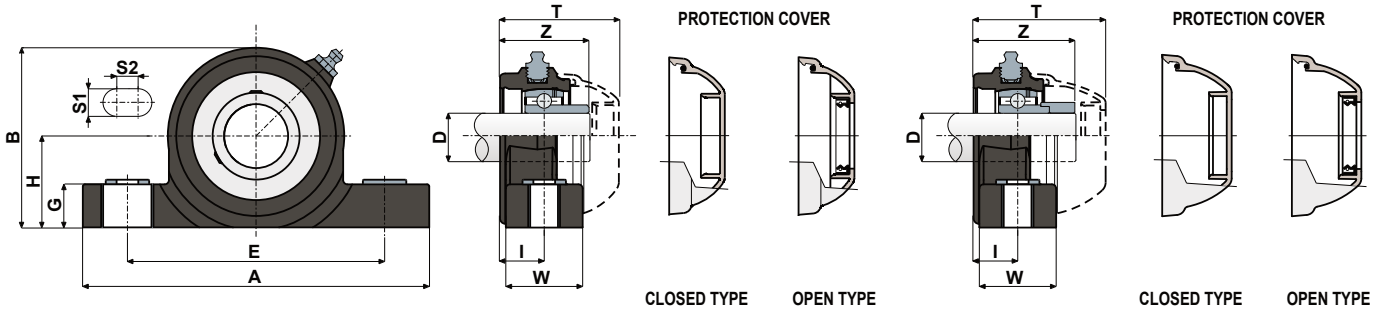
Pillow Blocks

Technical data

Serie **UCP**

GRUB SCREWS SHAFT LOCKING

ECCENTRIC COLLAR SHAFT LOCKING



GRUB SCREWS SHAFT LOCKING

D	SERIE	CHROME STEEL BEARING														COVER CODES															
		Support CODES						DIMENSIONS (mm)								Bearing load (N)		Bearingsupportload		GREY RAL 7042		BLUERAL 5015		ORANGERAL 2004		RED RAL 3000					
		Standard bearing			Long Life bearing			E	A	S1	S2	G	H	B	I	W	Z	T	C	C0	(N)	Closed	Open	Closed	Open	Closed	Open	Closed	Open		
		Black	White	Blue Ra15005	Black	White	Blue Ra15005																								
20	UCP204	84082	84782	87769	90193	90197	90202	96	180	13	10	20	33,5	65,5	18	30	36	49	12800	6600			5750	80254	80255	87259	83901	82305	82306	87540	87541
25	UCP205	83691	84783	87770	90194	90198	90203	106	140	13	10	20	36,5	71,5	19,6	35	39	51,7	14000	7800			6900	80075	80076	85384	85385	82276	82277	87542	87543
30	UCP206	83692	84784	87771	90195	90199	90204	121	163	13	10	20	43	84,5	20,7	36	41,7	55,7	19500	11300			9200	80011	80053	84100	80354	82278	82279	87531	87530
35	UCP207	83693	84785	87772	90196	90200	90205	126	168	13	10	20	47,6	93,3	22,7	39	48	61,8	24500	15300			11500	80077	80078	80969	80275	82284	82285	87544	87545
40	UCP208	85455	85456	87773	87626	90201	90206	136	185	13	10	20	50	100	22,5	38,6	51,5	70,7	32500	19800			11500	80256	80257	83088	86722	82280	82281	87528	82804

ECCENTRIC COLLAR SHAFT LOCKING

D	SERIE	CHROME STEEL BEARING														COVER CODES															
		Support CODES						DIMENSIONS (mm)								Bearing load (N)		Bearingsupportload		GREY RAL 7042											
		Standard bearing			Long Life bearing			E	A	S1	S2	G	H	B	I	W	Z	T	C	C0	(N)	Closed	Open								
		Black	White	Blue Ra15005	Black	White	Blue Ra15005																								
20	UCP204	88592	88597	88602	90207	90212	90217	96	180	13	10	20	33,5	65,5	18	30	41,6	56	12800	6600			5750	88371	88372						
25	UCP205	88593	88598	88603	90208	90213	90218	106	140	13	10	20	36,5	71,5	19,6	35	43	57,6	14000	7800			6900	88373	88374						
30	UCP206	88594	88599	88604	90209	90214	90219	121	163	13	10	20	43	84,5	20,7	36	47,4	61,8	19500	11300			9200	88375	88376						
35	UCP207	88595	88600	88605	90210	90215	90220	126	168	13	10	20	47,6	93,3	22,7	39	52	66,6	24500	15300			11500	88377	88378						
40	UCP208	88596	88601	88606	90211	90216	90221	136	185	13	10	20	50	100	22,5	38,6	55,2	70,9	32500	19800			11500	80256	80257						

GRUB SCREWS SHAFT LOCKING

D	SERIE	STAINLESS STEEL BEARING AISI 440														COVER CODES															
		Support CODES						DIMENSIONS (mm)								Bearing load (N)		Bearingsupportload		GREY RAL 7042		BLUERAL 5015		ORANGERAL 2004		RED RAL 3000					
		Standard bearing			Long Life bearing			E	A	S1	S2	G	H	B	I	W	Z	T	C	C0	(N)	Closed	Open	Closed	Open	Closed	Open	Closed	Open		
		Black	White	Blue Ra15005	Black	White	Blue Ra15005																								
20	UCP204	84083	84786	87774	90222	90227	90232	96	180	13	10	20	33,5	65,5	18	30	36	49	8300	6800			5750	80254	80255	87259	83901	82305	82306	87540	87541
25	UCP205	83705	84787	87775	90223	90228	90233	106	140	13	10	20	36,5	71,5	19,6	35	39	51,7	9150	7800			6900	80075	80076	85384	85385	82276	82277	87542	87543
30	UCP206	83706	84788	87776	90224	90229	90234	121	163	13	10	20	43	84,5	20,7	36	41,7	55,7	12500	11200			9200	80011	80053	84100	80354	82278	82279	87531	87530
35	UCP207	83707	84789	87777	90225	90230	90235	126	168	13	10	20	47,6	93,3	22,7	39	48	61,8	16800	15300			11500	80077	80078	80969	80275	82284	82285	87544	87545
40	UCP208	85457	85458	87778	90226	90231	90236	136	185	13	10	20	50	100	22,5	38,6	51,5	70,7	20000	19000			11500	80256	80257	83088	86722	82280	82281	87528	82804

GRUB SCREWS SHAFT LOCKING - VERSIONS WITH MEASURES IN INCHES

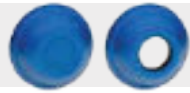
D	SERIE	CHROME STEEL BEARING														COVER CODES															
		Support CODES						DIMENSIONS (mm)								Bearing load (N)		Bearingsupportload		GREY RAL 7042		BLUERAL 5015		ORANGERAL 2004		RED RAL 3000					
		Standard bearing			Long Life bearing			E	A	S1	S2	G	H	B	I	W	Z	T	C	C0	(N)	Closed	Open	Closed	Open	Closed	Open	Closed	Open		
		Black	White	Blue Ra15005	Black	White	Blue Ra15005																								
1" 25/4	UCP205	84537	84936	87779	90237	90239	90241	106	140	13	10	20	36,5	71,5	19,6	35	39	51,7	14000	7800			6900	80075	85202	85384	87273	82276	87660	87542	87663
1" 1/4	UCP206	84538	84937	87780	90238	90240	90242	121	163	13	10	20	43	84,5	20,7	36	41,7	55,7	19500	11300			9200	80011	85203	84100	87274	82278	87661	87531	87664

Inch dimensions conform to the British Imperial system



Compact Pillow Blocks (S Solid)

Serie **UCPA/C**



On request covers in polypropylene blue Ral 5015 colour.



On request covers in polypropylene orange Ral 2004 colour.



On request covers in polypropylene red Ral 3000 colour.



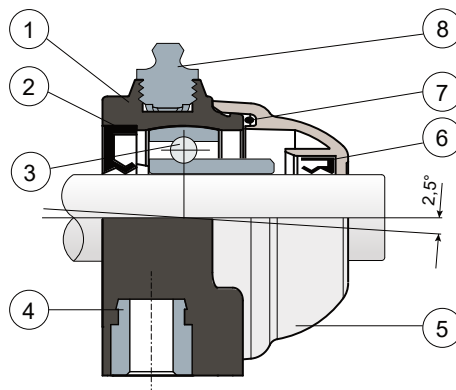
Self-aligning bearings with Solid body: completely closed surface to guarantee the max hygiene.



Long Life bearings: life long lubrication.



Full protection of bearing



- 1) Housing made out of black or white colour polyamide reinforced with glass fibers.
- 2) Back gasket made out of NBR rubber for turning shaft seal.
- 3) Chrome steel or stainless steel bearing AISI 440.
- 4) Bushing made of nickel plated brass.
- 5) Protection cover made out of polypropylene (grey colour Ral 7042).
- 6) Front gasket made out of NBR rubber for turning shaft seal.
- 7) OR gasket made out of NBR rubber.
- 8) Greaser, straight type with 1/8 gas thread, made out of nickel-plated brass (absent in the versions with Long Life bearing).

N.B.: In the Long Life version, the greaser is absent and the lubrication channel is protected by a rubber cap.

Support dimensions respect ISO 3228 set of rules. Maximum shaft alignment error 2,5°.
For further information please contact our technical office or sales department.

MATERIALS: Housing is made out of PA + glass fiber in black or white colours; chrome steel or stainless steel bearing; greaser and bushings made out of nickel plated brass; gaskets made out of NBR rubber; cover made out of grey RAL 7042 colour polypropylene.

FEATURES: Full protection of bearing against external agents. Assembly with not shouldered shafts. Maximum shaft alignment error 2,5°. BOX QUANTITY: 8 pieces.

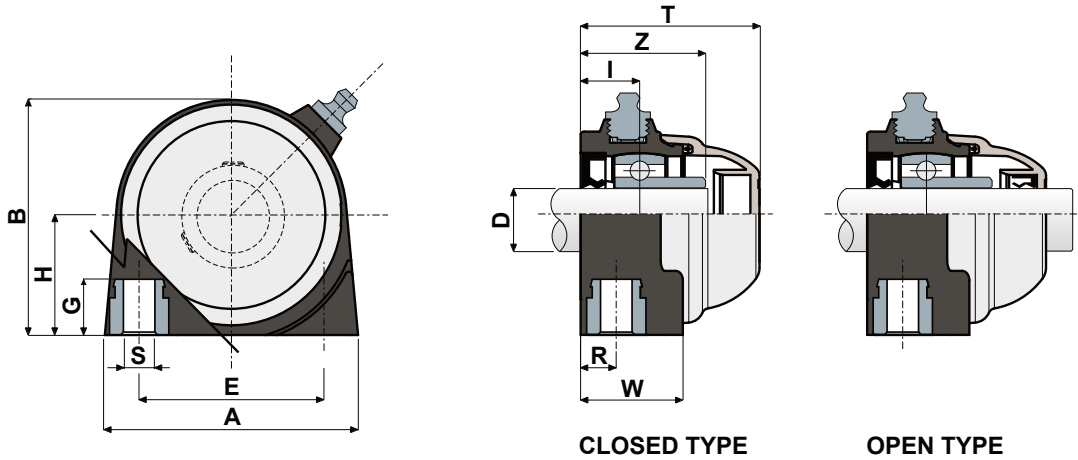
ON REQUEST: Versions with body in polypropylene + glass fiber and antibacterial additive; supports with eccentric collar shaft locking with chrome steel bearing; protection covers in different colours and with customized brand; box quantity according to your request; Viton gaskets.



Compact Pillow Blocks (S Solid)

Technical data

Serie **UCPA/C**



CHROME STEEL BEARING																									
D	SERIE	CODES								DIMENSIONS (mm)											Bearing load (N)		Bearing support load		
		Standard bearing				Long Life bearing				E	A	S	G	H	B	R	W	I	Z	T	C	C0	(N)		
		Black		White		Black		White																	
		Closed	Open	Closed	Open	Closed	Open	Closed	Open																
20	UCPA204 C	85601	85603	85618	85619	85738	85805	90244	90245	50,8	70	M8	13	33,2	65	10	28	16,2	34,2	49			12800	6600	2500
25	UCPA205 C	85604	85605	85620	85621	85726	85805	90243	90246	50,8	75	M10	13	36,5	72	12	30	18,8	38,3	52			14000	7800	3000

STAINLESS STEEL BEARING AISI 440																									
D	SERIE	CODES								DIMENSIONS (mm)											Bearing load (N)		Bearing support load		
		Standard bearing				Long Life bearing				E	A	S	G	H	B	R	W	I	Z	T	C	C0	(N)		
		Black		White		Black		White																	
		Closed	Open	Closed	Open	Closed	Open	Closed	Open																
20	UCPA204 C	85606	85607	85622	85623	90248	90249	90252	90253	50,8	70	M8	13	33,2	65	10	28	16,2	34,2	49			8300	6600	2500
25	UCPA205 C	85608	85609	85624	85625	90250	90251	90254	90255	50,8	75	M10	13	36,5	72	12	30	18,8	38,3	52			9150	7800	3000



Compact Pillow Blocks (S Solid)

Serie **UCPA/CX**



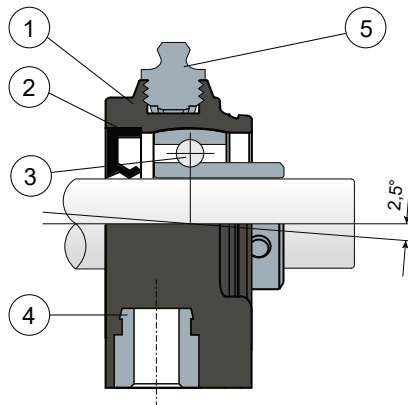
Self-aligning bearings with Solid body: completely closed surface to guarantee the max hygiene.



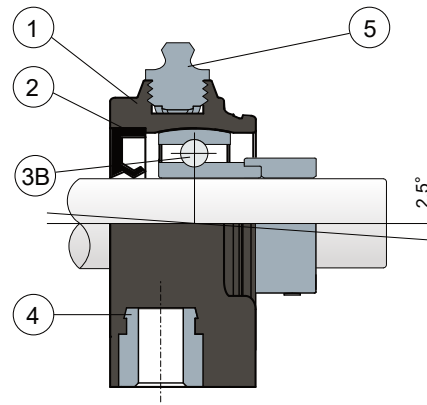
Long Life bearings: life long lubrication.



Grub screws shaft locking - Without protection cover



Eccentric collar shaft locking - Without protection cover



- 1) Housing made out of black, white or blue Ral 5005 colour polyamide reinforced with glass fibers.
- 2) Back gasket made out of NBR rubber for turning shaft seal.
- 3) Chrome steel or stainless steel bearing AISI 440. 3B) Chrome steel bearing.
- 4) Bushing made of nickel plated brass.
- 5) Greaser, straight type with 1/8 gas thread, made out of nickel-plated brass (absent in the versions with Long Life bearing).

NOTE: The protection cover can be ordered separately as an accessory; in the Long Life version, the greaser is absent and the lubrication channel is protected by a rubber cap.

Support dimensions respect ISO 3228 set of rules. Maximum shaft alignment error 2,5°. For further information please contact our technical office or sales department.

MATERIALS: Housing is made out of PA + glass fiber in black, white or blue Ral 5005 colours; bearing with grub screws shaft locking in chrome steel or stainless steel; bearing with eccentric collar shaft locking in chrome steel; greaser and bushings made out of nickel plated brass; gaskets made out of NBR rubber; cover made out of polypropylene grey Ral 7042, blue Ral 5015, orange Ral 2004 or red Ral 3000 colour.

FEATURES: The protection cover can be ordered separately as an accessory. Assembly with not shouldered shafts. Maximum shaft alignment error 2,5°. BOX QUANTITY: 8 pieces.

ON REQUEST: Versions with body in polypropylene + glass fiber and antibacterial additive; protection covers in different colours and with customized brand; box quantity according to your request; Viton gaskets.



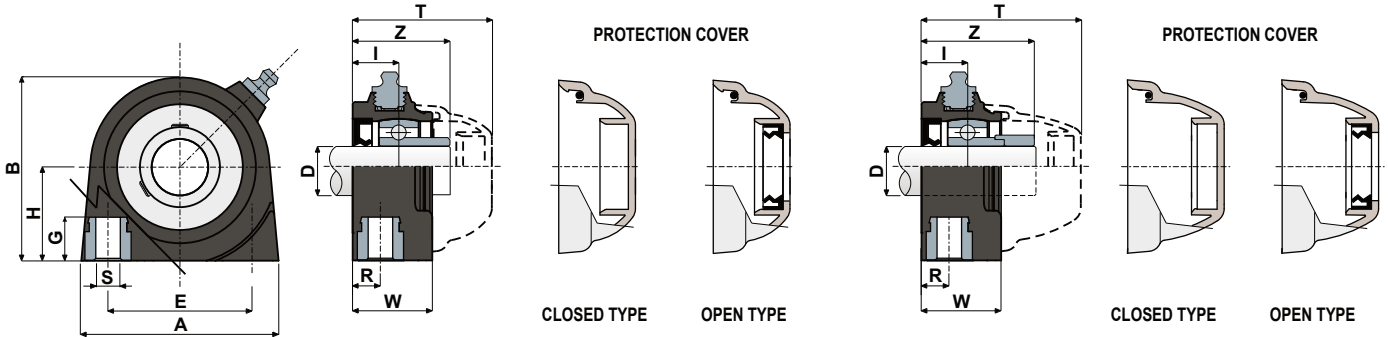
Compact Pillow Blocks (S Solid)

Technical data

Serie **UCPA/CX**

GRUB SCREWS SHAFT LOCKING

ECCENTRIC COLLAR SHAFT LOCKING



GRUB SCREWS SHAFT LOCKING

CHROME STEEL BEARING															COVER CODES																	
D	SERIE	Support CODES						DIMENSIONS (mm)								Bearing load (N)	Bearingsupportload	GREY RAL 7042				BLUERAL 5015		ORANGERAL 2004		RED RAL 3000						
		Standard bearing			Long Life bearing			E	A	S	G	H	B	R	W			I	Z	T	C	CO	(N)	Closed	Open	Closed	Open	Closed	Open	Closed	Open	
20	UCPA 204 CX	Black 85626	White 85627	Blue R35073	Black 86815	White 90257	Blue Ral 90258	50,8	70	M8	13	33,2	65	10	28	16,2	34,2	49	12800	6600	CO	(N)	Closed	Open	Closed	Open	Closed	Open	Closed	Open	Closed	Open
25	UCPA 205 CX	85611	85627	89260	86815	90257	90259	50,8	75	M10	13	36,5	72	12	30	18,8	38,3	52	14000	7800	CO	(N)	Closed	Open	Closed	Open	Closed	Open	Closed	Open	Closed	Open

ECCENTRIC COLLAR SHAFT LOCKING

CHROME STEEL BEARING															COVER CODES																	
D	SERIE	Support CODES						DIMENSIONS (mm)								Bearing load (N)	Bearingsupportload	GREY RAL 7042														
		Standard bearing			Long Life bearing			E	A	S	G	H	B	R	W			I	Z	T	C	CO	(N)	Closed	Open							
20	UCPA 204 CX	Black 88609	White 88610	Blue R35073	Black 90261	White 90262	Blue Ral 90263	50,8	70	M8	13	33,2	65	10	28	16,2	39,7	56	12800	6600	CO	(N)	Closed	Open	Closed	Open	Closed	Open	Closed	Open	Closed	Open
25	UCPA 205 CX	88608	88610	89262	90261	90263	90265	50,8	75	M10	13	36,5	72	12	30	18,8	42,3	58	14000	7800	CO	(N)	Closed	Open	Closed	Open	Closed	Open	Closed	Open	Closed	Open

GRUB SCREWS SHAFT LOCKING

STAINLESS STEEL BEARING AISI 440															COVER CODES																	
D	SERIE	Support CODES						DIMENSIONS (mm)								Bearing load (N)	Bearingsupportload	GREY RAL 7042				BLUERAL 5015		ORANGERAL 2004		RED RAL 3000						
		Standard bearing			Long Life bearing			E	A	S	G	H	B	R	W			I	Z	T	C	CO	(N)	Closed <td>Open</td> <td>Closed</td> <td>Open</td> <td>Closed</td> <td>Open</td> <td>Closed</td> <td>Open</td>	Open	Closed	Open	Closed	Open	Closed	Open	
20	UCPA 204 CX	Black 85628	White 85629	Blue R35073	Black 90267	White 90268	Blue Ral 90271	50,8	70	M8	13	33,2	65	10	28	16,2	34,2	49	8800	6600	CO	(N)	Closed	Open	Closed	Open	Closed	Open	Closed	Open	Closed	Open
25	UCPA 205 CX	85613	85629	89220	90267	90269	90271	50,8	75	M10	13	36,5	72	12	30	18,8	38,3	52	9150	7800	CO	(N)	Closed	Open	Closed	Open	Closed	Open	Closed	Open	Closed	Open



Compact Pillow Blocks (S Solid)

Serie **UCPA**



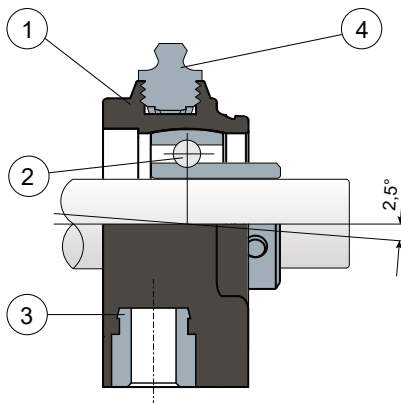
Self-aligning bearings with Solid body: completely closed surface to guarantee the max hygiene.



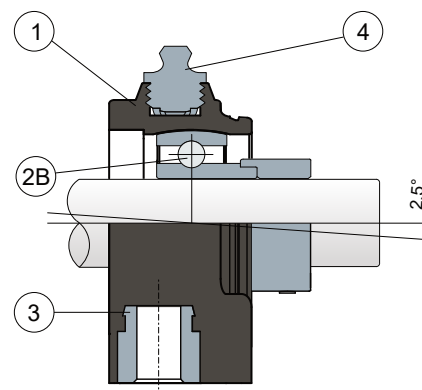
Long Life bearings: life long lubrication.



Grub screws shaft locking - Without cover and back gasket



Eccentric collar shaft locking - Without cover and back gasket



- 1) Housing made out of black, white or blue Ral 5005 colour polyamide reinforced with glass fibers.
- 2) Chrome steel or stainless steel bearing AISI 440. 2B) Chrome steel bearing.
- 3) Bushing made of nickel plated brass.
- 4) Greaser, straight type with 1/8 gas thread, made out of nickel-plated brass (absent in the versions with Long Life bearing).

NOTE: The back gasket and the protection cover can be ordered separately as accessories; in the Long Life version, the greaser is absent and the lubrication channel is protected by a rubber cap.

Support dimensions respect ISO 3228 set of rules. Maximum shaft alignment error 2,5°. For further information please contact our technical office or sales department.

MATERIALS: Housing is made out of PA + glass fiber in black, white or blue Ral 5005 colours; bearing with grub screws shaft locking in chrome steel or stainless steel; bearing with eccentric collar shaft locking in chrome steel; greaser and bushings made out of nickel plated brass; gaskets made out of NBR rubber; cover made out of polypropylene grey Ral 7042, blue Ral 5015, orange Ral 2004 or red Ral 3000 colour.

FEATURES: The back gasket and the protection cover can be ordered separately as accessories. Assembly with shouldered and not shouldered shafts. Maximum shaft alignment error 2,5°.

BOX QUANTITY: 8 pieces.

ON REQUEST: Versions with body in polypropylene + glass fiber and antibacterial additive; protection covers in different colours and with customized brand; box quantity according to your request; Viton gaskets.



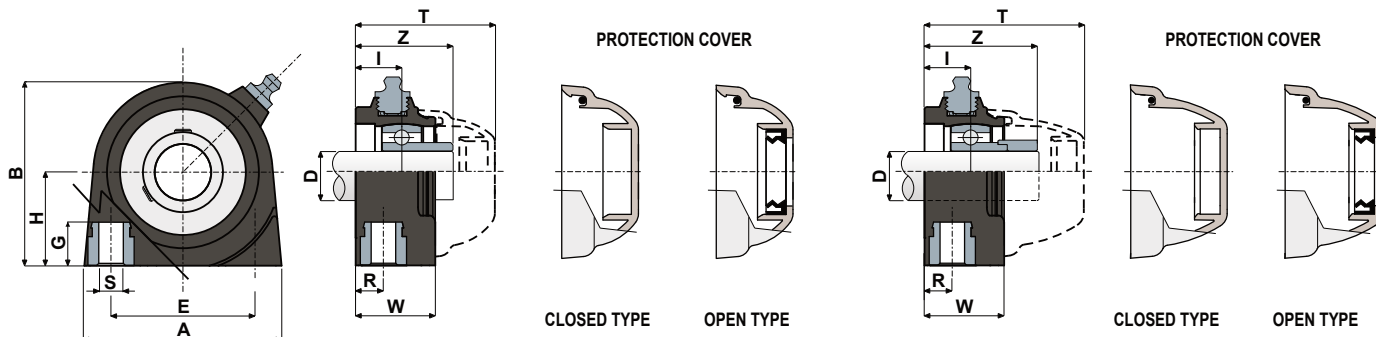
Compact Pillow Blocks (Solid)

Technical data

Serie **UCPA**

GRUB SCREWS SHAFT LOCKING

ECCENTRIC COLLAR SHAFT LOCKING



GRUB SCREWS SHAFT LOCKING

D	SERIE	CHROME STEEL BEARING														COVER CODES													
		Support CODES						DIMENSIONS (mm)								Bearing load (N)	Bearingsupportload	GREY RAL 7042											
		Standard bearing			Long Life bearing			E	A	S	G	H	B	R	W			I	Z	T	C	Closed	Open	Closed	Open	Closed	Open	Closed	Open
20	UCPA 204	Black 85615	White 85631	Blue 89265	Black 90273	White 90275	Blue 90277	50,8	70	M8	13	33,2	65	10	28	16,2	34,2	49	12800	6600	2500	80254	80255	87259	83901	82305	82306	87540	87541
25	UCPA 215	85615	85631	89265	90273	90275	90277	50,8	75	M10	13	36,5	72	12	30	18,8	38,3	52	14000	7800	3000	80075	80076	85384	85385	82276	82277	87542	87543

ECCENTRIC COLLAR SHAFT LOCKING

D	SERIE	CHROME STEEL BEARING														COVER CODES							
		Support CODES						DIMENSIONS (mm)								Bearing load (N)	Bearingsupportload	GREY RAL 7042					
		Standard bearing			Long Life bearing			E	A	S	G	H	B	R	W			I	Z	T	C	Closed	Open
20	UCPA 204	Black 88613	White 88630	Blue 89265	Black 90280	White 90282	Blue 90283	50,8	70	M8	13	33,2	65	10	28	16,2	39,7	56	12800	6600	2500	88371	88372
25	UCPA 215	88612	88614	89267	90279	90281	90283	50,8	75	M10	13	36,5	72	12	30	18,8	42,3	58	14000	7800	3000	88373	88374

GRUB SCREWS SHAFT LOCKING

D	SERIE	STAINLESS STEEL BEARING AISI 440														COVER CODES													
		Support CODES						DIMENSIONS (mm)								Bearing load (N)	Bearingsupportload	GREY RAL 7042											
		Standard bearing			Long Life bearing			E	A	S	G	H	B	R	W			I	Z	T	C	Closed	Open	Closed	Open	Closed	Open	Closed	Open
20	UCPA 204	Black 85617	White 85633	Blue 89269	Black 90285	White 90287	Blue 90289	50,8	70	M8	13	33,2	65	10	28	16,2	34,2	49	8300	6600	2500	80254	80255	87259	83901	82305	82306	87540	87541
25	UCPA 215	85617	85633	89269	90285	90287	90289	50,8	75	M10	13	36,5	72	12	30	18,8	38,3	52	9150	7800	3000	80075	80076	85384	85385	82276	82277	87542	87543



Take-up bearing supports (S Solid)

Serie **UCT/C**



On request covers in polypropylene blue Ral 5015 colour.



On request covers in polypropylene orange Ral 2004 colour.



On request covers in polypropylene red Ral 3000 colour.



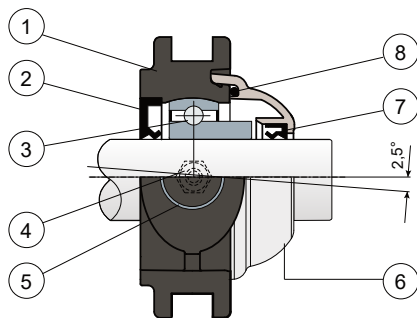
Self-aligning bearings with Solid body: completely closed surface to guarantee the max hygiene.



Long Life bearings: life long lubrication.



Full protection of bearing



- 1) Housing made out of black or white colour polyamide reinforced with glass fibers.
- 2) Back gasket made out of NBR rubber for turning shaft seal.
- 3) Chrome steel or stainless steel bearing AISI 440.
- 4) Greaser, straight type with 1/8 gas thread, made out of nickel-plated brass (absent in the versions with Long Life bearing).
- 5) Bushing made of nickel plated brass.
- 6) Protection cover made out of polypropylene (grey colour Ral 7042).
- 7) Front gasket made out of NBR rubber for turning shaft seal.
- 8) OR gasket made out of NBR rubber.

N.B.: In the Long Life version, the greaser is absent and the lubrication channel is protected by a rubber cap.

Support dimensions respect ISO 3228 set of rules.

Maximum shaft alignment error 2,5°.

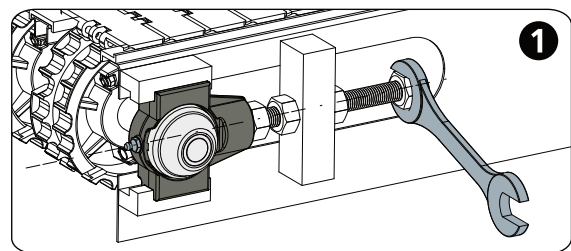
For further information please contact our technical office or sales department.

MATERIALS: Housing is made out of PA + glass fiber in black or white colours; chrome steel or stainless steel bearing; greaser and bushings made out of nickel plated brass; gaskets made out of NBRubber; cover made out of grey RAL 7042 colour polypropylene.
FEATURES: Full protection of bearing against external agents. Assembly with not shouldered shafts. Maximum shaft alignment error 2,5°.

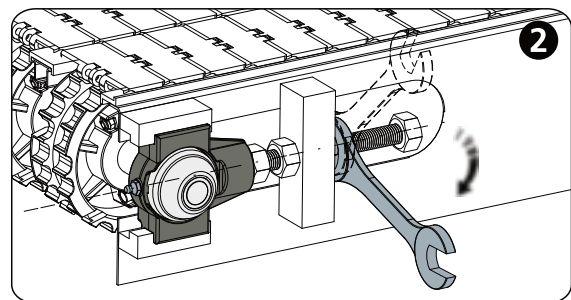
BOX QUANTITY: 8 pieces.

ON REQUEST: Versions with body in polypropylene + glass fiber and antibacterial additive; supports with eccentric collar shaft locking with chrome steel bearing; protection covers in different colours and with customized brand; box quantity according to your request; Viton gaskets.

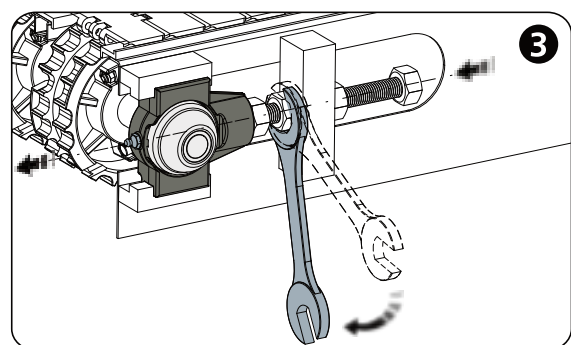
Example of application



Lock the shaft



Unscrew the lock



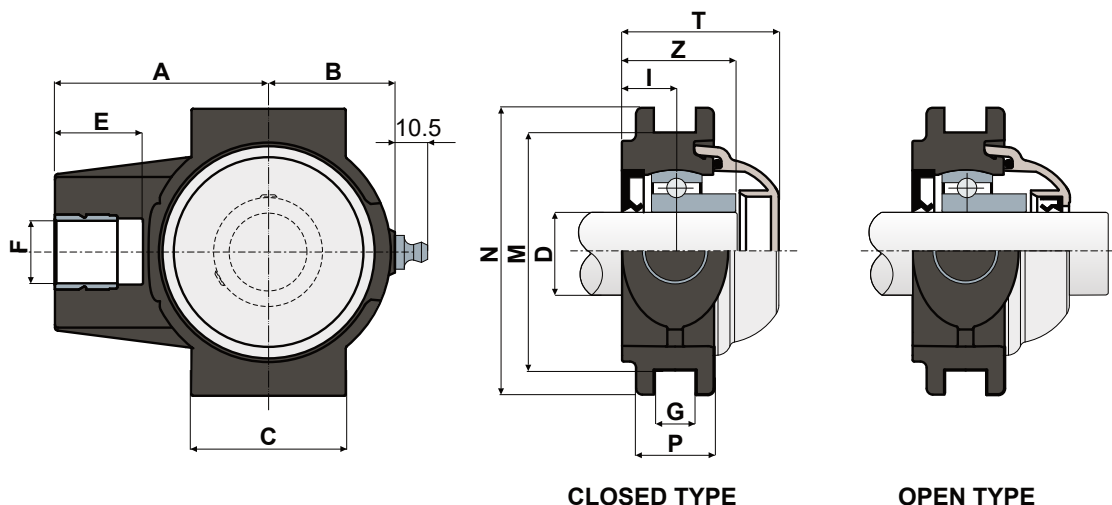
Screw to make the support advance









Take-up bearing supports (Solid)

Technical data

Serie **UCT/C**



CHROME STEEL BEARING																									
D	SERIE	CODES								DIMENSIONS (mm)										Bearing load (N)		Bearing support load			
		Standard bearing				Long Life bearing				A	B	C	E	F	G	I	M	N	P	Z	T	C	C0	(N)	
		Black		White		Black		White																	
Closed	Open	Closed	Open	Closed	Open	Closed	Open																		
20	UCT204C 	85672	85673	85676	85677	90290	90291	90296	90297	63,5	35	50	28	M16	13,5	17	76,2	92	25	35	50	12800	6600	16000	
25	UCT205C 	86103	86104	86105	86106	90292	90293	90298	90299	68,5	40,5	50	28	M20	13,5	17	76,2	92	25	36,5	50,2	14000		7800	24000
30	UCT206C 	86120	86122	86124	86126	90294	90295	90300	90301	77	48	57	28	M24	13,5	18,5	89	104	28	40,5	55,7	19500	11300		27000

STAINLESS STEEL BEARING AISI 440																									
D	SERIE	CODES								DIMENSIONS (mm)										Bearing load (N)		Bearing support load			
		Standard bearing				Long Life bearing				A	B	C	E	F	G	I	M	N	P	Z	T	C	C0	(N)	
		Black		White		Black		White																	
Closed	Open	Closed	Open	Closed	Open	Closed	Open																		
20	UCT204C 	85674	85675	85678	85679	90302	90303	90308	90309	63,5	35	50	28	M16	13,5	17	76,2	92	25	35	50	8300	6600	16000	
25	UCT205C 	86107	86108	86109	86110	90304	90305	90310	90311	68,5	40,5	50	28	M20	13,5	17	76,2	92	25	36,5	50,2	9150		7800	24000
30	UCT206C 	86128	86130	86132	86134	90306	90307	90312	90313	77	48	57	28	M24	13,5	18,5	89	104	28	40,5	55,7	12500	11200		27000



Take-up bearing supports (S Solid)

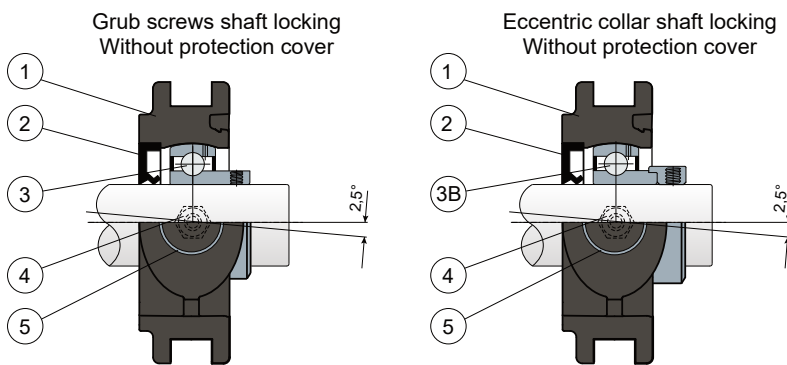
Serie **UCT/CX**



S Self-aligning bearings with Solid body: completely closed surface to guarantee the max hygiene.

L Long Life bearings: life long lubrication.

NEW



- 1) Housing made out of black, white or blue Ral 5005 colour polyamide reinforced with glass fibers.
- 2) Back gasket made out of NBR rubber for turning shaft seal.
- 3) Chrome steel or stainless steel bearing AISI 440.
- 3B) Chrome steel bearing.
- 4) Greaser, straight type with 1/8 gas thread, made out of nickel-plated brass (absent in the versions with Long Life bearing).
- 5) Bushing made of nickel plated brass.

NOTE: The protection cover can be ordered separately as an accessory; in the Long Life version, the greaser is absent and the lubrication channel is protected by a rubber cap.

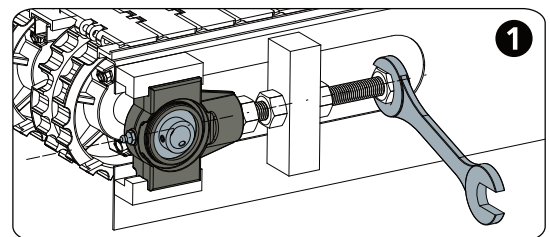
Support dimensions respect ISO 3228 set of rules.
Maximum shaft alignment error 2,5°.
For further information please contact our technical office or sales department.

MATERIALS: Housing is made out of PA + glass fiber in black, white or blue Ral 5005 colours; bearing with grub screws shaft locking in chrome steel or stainless steel; bearing with eccentric collar shaft locking in chrome steel; greaser and bushings made out of nickel plated brass; gaskets made out of NBRrubber; cover made out of polypropylene grey Ral 7042, blue Ral 5015, orange Ral 2004 or red Ral 3000 colour.

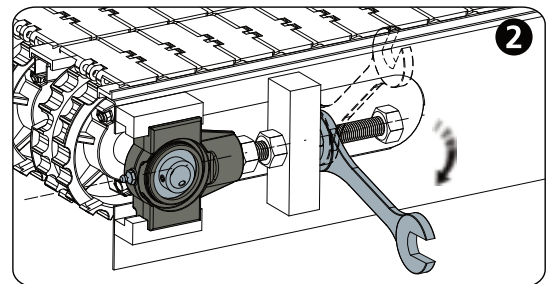
FEATURES: The protection cover can be ordered separately as an accessory. Assembly with not shouldered shafts. Maximum shaft alignment error 2,5°.
BOX QUANTITY: 8 pieces.

ON REQUEST: Versions with body in polypropylene + glass fiber and anti-bacterial additive; protection covers in different colours and with customized brand; box quantity according to your request; Viton gaskets.

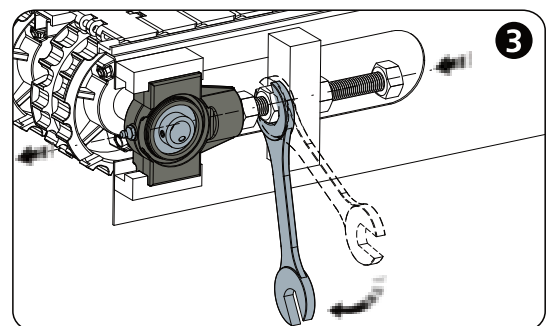
Example of application



Lock the shaft



Unscrew the lock



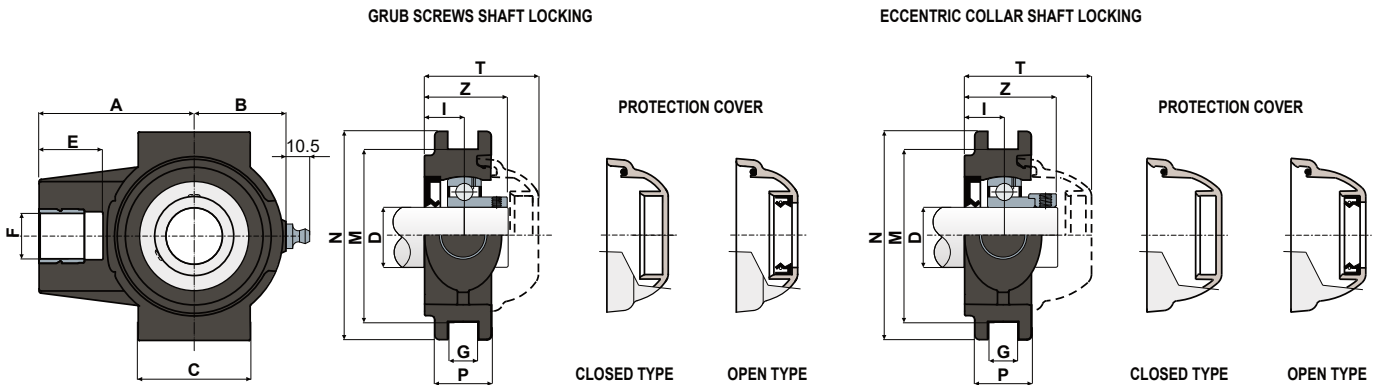
Screw to make the support advance



Take-up bearing supports (Solid)

Technical data

Serie **UCT/CX**



GRUB SCREWS SHAFT LOCKING

D	SERIE	CHROME STEEL BEARING														Bearing load (N)	Bearingsupportload	COVERCODES															
		Support CODES						DIMENSIONS(mm)										GREY RAL7042				BLUERAL5015				ORANGERAL2004				RED RAL3000			
		Standard bearing			Long Life bearing			A	B	C	E	F	G	I	M			N	P	Z	T	C	Closed		Open		Closed		Open		Closed		Open
20	UCT204 CX	Black	White	Blue	Black	White	Blue	63.5	35	50	28	M16	13.5	17	76.2	92	25	35	50	12800	6600	C0	(N)	Closed	Open	Closed	Open	Closed	Open	Closed	Open		
25	UCT205	86111	86112	89271	88136	90317	90320	68.5	40.5	50	28	M20	13.5	17	76.2	92	25	36.5	50.2	14000	7800		16000	80254	80255	87259	83901	82305	82306	87540	87541		
30	UCT206	86136	86138	89272	90315	90318	90321	77	48	57	28	M24	13.5	18.5	89	104	28	40.5	55.7	19500	11300		24000	80075	80076	85384	85385	82276	82277	87542	87543		
																							27000	80011	80053	84100	80354	82278	82279	87531	87530		

ECCENTRIC COLLAR SHAFT LOCKING

D	SERIE	CHROME STEEL BEARING														Bearing load (N)	Bearingsupportload	COVERCODES									
		Support CODES						DIMENSIONS(mm)										GREY RAL7042									
		Standard bearing			Long Life bearing			A	B	C	E	F	G	I	M			N	P	Z	T	C	Closed		Open		
20	UCT204 CX	Black	White	Blue	Black	White	Blue	63.5	35	50	28	M16	13.5	17	76.2	92	25	40.5	56.7	12800	6600	C0	(N)	Closed	Open		
25	UCT205	88616	88619	89274	90323	90326	90329	68.5	40.5	50	28	M20	13.5	17	76.2	92	25	40.5	56	14000	7800		16000	88371	88372		
30	UCT206	88617	88620	89275	90324	90327	90330	77	48	57	28	M24	13.5	18.5	89	104	28	45.2	62	19500	11300		24000	88373	88374		
																							27000	88375	88376		

GRUB SCREWS SHAFT LOCKING

D	SERIE	STAINLESS STEEL BEARING AISI 440														Bearing load (N)	Bearingsupportload	COVERCODES															
		Support CODES						DIMENSIONS(mm)										GREY RAL7042				BLUERAL5015				ORANGERAL2004				RED RAL3000			
		Standard bearing			Long Life bearing			A	B	C	E	F	G	I	M			N	P	Z	T	C	Closed		Open		Closed		Open		Closed		Open
20	UCT204 CX	Black	White	Blue	Black	White	Blue	63.5	35	50	28	M16	13.5	17	76.2	92	25	35	50	8300	6600	C0	(N)	Closed	Open	Closed	Open	Closed	Open	Closed	Open		
25	UCT205	86113	86114	89277	90332	90335	90338	68.5	40.5	50	28	M20	13.5	17	76.2	92	25	36.5	50.2	9150	7800		16000	80254	80255	87259	83901	82305	82306	87540	87541		
30	UCT206	86140	86142	89278	90333	90336	90339	77	48	57	28	M24	13.5	18.5	89	104	28	40.5	55.7	12500	11200		24000	80075	80076	85384	85385	82276	82277	87542	87543		
																							27000	80011	80053	84100	80354	82278	82279	87531	87530		



Take-up bearing supports (S Solid)

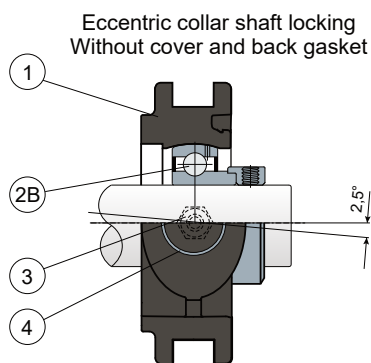
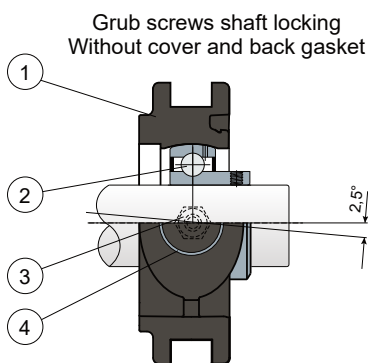
Serie **UCT**



Self-aligning bearings with Solid body: completely closed surface to guarantee the max hygiene.



Long Life bearings: life long lubrication.



- 1) Housing made out of black, white or blue Ral 5005 colour polyamide reinforced with glass fibers.
- 2) Chrome steel or stainless steel bearing AISI 440.
- 2B) Chrome steel bearing.
- 3) Greaser, straight type with 1/8 gas thread, made out of nickel-plated brass (absent in the versions with Long Life bearing).
- 4) Bushing made of nickel plated brass.

NOTE: The back gasket and the protection cover can be ordered separately as accessories; in the Long Life version, the greaser is absent and the lubrication channel is protected by a rubber cap.

Support dimensions respect ISO 3228 set of rules.

Maximum shaft alignment error 2,5°.

For further information please contact our technical office or sales department.

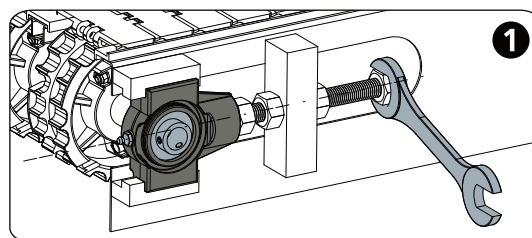
MATERIALS: Housing is made out of PA + glass fiber in black, white or blue Ral 5005 colours; bearing with grub screws shaft locking in chrome steel or stainless steel; bearing with eccentric collar shaft locking in chrome steel; greaser and bushings made out of nickel plated brass; gaskets made out of NBR rubber; cover made out of polypropylene grey Ral 7042, blue Ral 5015, orange Ral 2004 or red Ral 3000 colour.

FEATURES: The back gasket and the protection cover can be ordered separately as accessories. Assembly with shouldered and not shouldered shafts. Maximum shaft alignment error 2,5°.

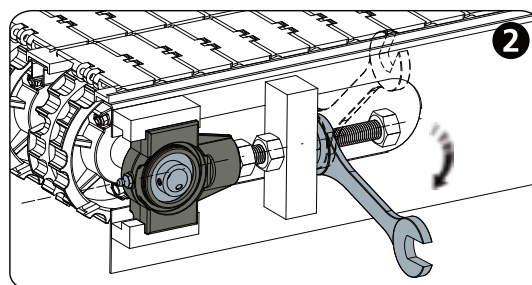
BOX QUANTITY: 8 pieces.

ON REQUEST: Versions with body in polypropylene + glass fiber and anti-bacterial additive; protection covers in different colours and with customized brand; box quantity according to your request; Viton gaskets.

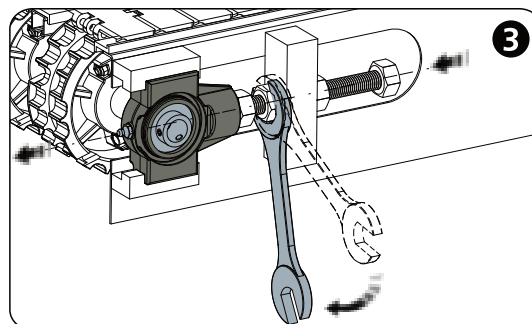
Example of application



Lock the shaft



Unscrew the lock



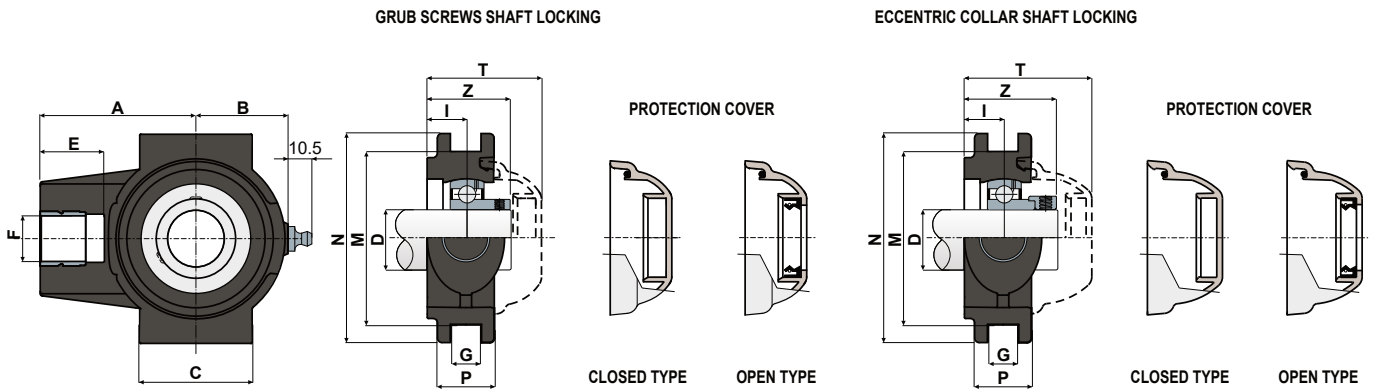
Screw to make the support advance



Take-up bearing supports (Solid)

Technical data

Serie **UCT**



GRUB SCREWS SHAFT LOCKING

D	SERIE	CHROME STEEL BEARING															Bearing load (N)	Bearingsupportload	COVERCODES																							
		Support CODES						DIMENSIONS(mm)															CO	(N)	GREY RAL7042				BLUERAL5015				ORANGERAL2004				RED RAL3000					
		Standard bearing			Long Life bearing			A	B	C	E	F	G	I	M	N			P	Z	T	C			Closed	Open	Closed	Open	Closed	Open	Closed	Open	Closed	Open								
20	UCT204	88686	89280	90344	90344	90347	68,5	35	50	28	M16	13,5	17	76,2	92	25	35	50	12800	6600			16000	80254	80255	87259	83901	82305	82306	87540	87541											
25	UCT205	88115	88116	89280	90344	90347	68,5	40,5	50	28	M20	13,5	17	76,2	92	25	36,5	50,2	14000	7800			24000	80075	80076	85384	85385	82276	82277	87542	87543											
30	UCT206	88144	88146	89281	90342	90345	77	48	57	28	M24	13,5	18,5	89	104	28	40,5	55,7	19500	11300			27000	80011	80053	84100	80354	82278	82279	87531	87530											

ECCENTRIC COLLAR SHAFT LOCKING

D	SERIE	CHROME STEEL BEARING															Bearing load (N)	Bearingsupportload	COVERCODES									
		Support CODES						DIMENSIONS(mm)															CO	(N)	GREY RAL7042			
		Standard bearing			Long Life bearing			A	B	C	E	F	G	I	M	N			P	Z	T	C			Closed	Open		
20	UCT204	88624	89280	90350	90352	90355	68,5	35	50	28	M16	13,5	17	76,2	92	25	40,5	56,7	12800	6600			16000	88371	88372			
25	UCT205	88622	88625	89283	90350	90353	68,5	40,5	50	28	M20	13,5	17	76,2	92	25	40,5	56	14000	7800			24000	88373	88374			
30	UCT206	88623	88626	89284	90351	90354	77	48	57	28	M24	13,5	18,5	89	104	28	45,2	62	19500	11300			27000	88375	88376			

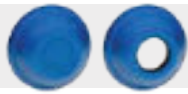
GRUB SCREWS SHAFT LOCKING

D	SERIE	STAINLESS STEEL BEARING AISI 440															Bearing load (N)	Bearingsupportload	COVERCODES																							
		Support CODES						DIMENSIONS(mm)															CO	(N)	GREY RAL7042				BLUERAL5015				ORANGERAL2004				RED RAL3000					
		Standard bearing			Long Life bearing			A	B	C	E	F	G	I	M	N			P	Z	T	C			Closed	Open	Closed	Open	Closed	Open	Closed	Open	Closed	Open								
20	UCT204	88687	89280	90350	90351	90364	68,5	35	50	28	M16	13,5	17	76,2	92	25	35	50	8800	6600			16000	80254	80255	87259	83901	82305	82306	87540	87541											
25	UCT205	88117	88118	89286	90359	90362	68,5	40,5	50	28	M20	13,5	17	76,2	92	25	36,5	50,2	9150	7800			24000	80075	80076	85384	85385	82276	82277	87542	87543											
30	UCT206	88148	88150	89287	90360	90363	77	48	57	28	M24	13,5	18,5	89	104	28	40,5	55,7	12500	11200			27000	80011	80053	84100	80354	82278	82279	87531	87530											



Round flanged bearing supports

Serie **UCFC/C**



On request covers in polypropylene blue Ral 5015 colour.



On request covers in polypropylene orange Ral 2004 colour.



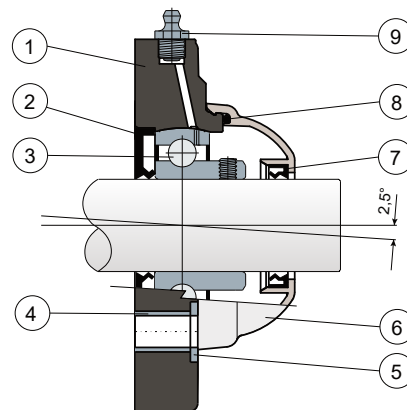
On request covers in polypropylene red Ral 3000 colour.



Long Life bearings: life long lubrication.



Full protection of bearing



- 1) Housing made out of black or white colour polyamide reinforced with glass fibers.
- 2) Back gasket made out of NBR rubber for turning shaft seal.
- 3) Chrome steel or stainless steel bearing AISI 440.
- 4) Spacer for fixing reinforcement made out of stainless steel AISI 304.
- 5) UNI 6592 support washer made out of stainless steel AISI 304.
- 6) Protection cover made out of polypropylene (grey colour Ral 7042).
- 7) Front gasket made out of NBR rubber for turning shaft seal.
- 8) OR gasket made out of NBR rubber.
- 9) Greaser, straight type with 1/8 gas thread, made out of nickel-plated brass (absent in the versions with Long Life bearing).

N.B.: In the Long Life version, the greaser is absent and the lubrication channel is protected by a rubber cap.

Support dimensions respect ISO 3228 set of rules. Maximum shaft alignment error 2,5°.
For further information please contact our technical office or sales department.

MATERIALS: Housing is made out of PA + glass fiber in black or white colours; chrome steel or stainless steel bearing; greaser made out of nickel plated brass; reinforcement bushings and washers made out of stainless steel AISI 304; gaskets made out of NBRrubber; cover made out of grey RAL 7042 colour polypropylene.
FEATURES: Full protection of bearing against external agents. Assembly with not shouldered shafts. Maximum shaft alignment error 2,5°. **BOX QUANTITY:** 8 pieces.

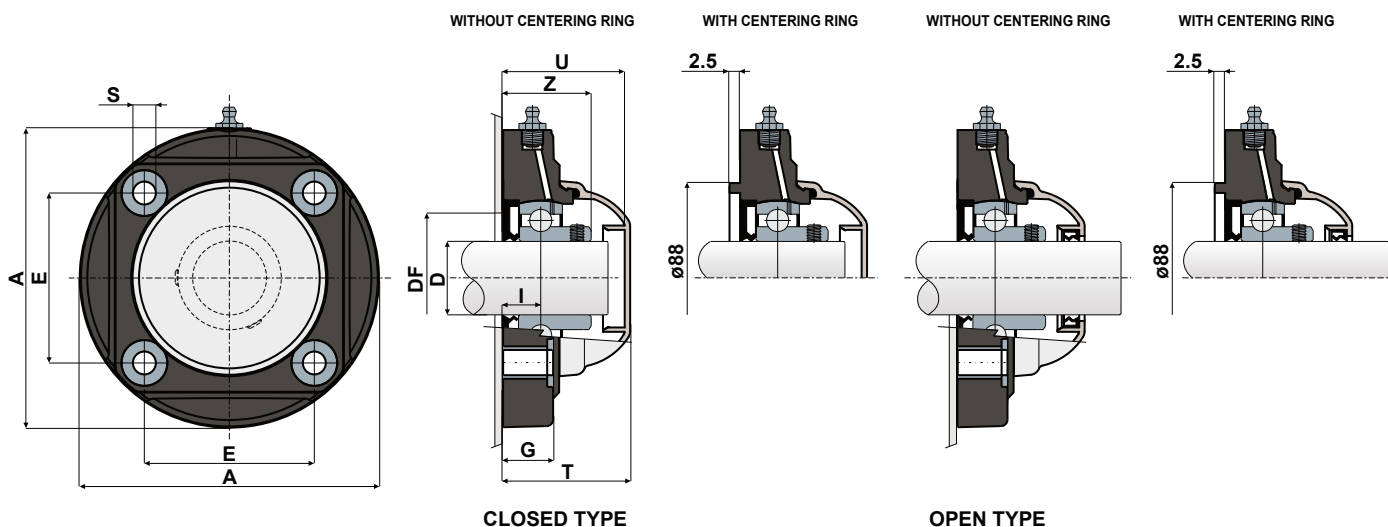
ON REQUEST: Versions with body in polypropylene + glass fiber and antibacterial additive; supports with eccentric collar shaft locking with chrome steel bearing; protection covers in different colours and with customized brand; box quantity according to your request; Viton gaskets.



Round flanged bearing supports

Technical data

Serie **UCFC/C**



FLANGE WITHOUT CENTERING RING

CHROME STEEL BEARING																						
D	SERIE	CODES								DIMENSIONS(mm)								Bearing load (N)		Bearingsupportload		
		Standard bearing				Long Life bearing				E	A	S	G	I	Z	U	T	DF		C	C0	(N)
		Black		White		Black		White										Max	Min			
		Closed	Open	Closed	Open	Closed	Open	Closed	Open													
35	UCFC207 C	85647	85649	85655	85657	90367	90368	90369	90370	77,8	137	10,5	26	17	40,8	56	58	70	55	25500	15300	19550

STAINLESS STEEL BEARING AISI 440																						
D	SERIE	CODES								DIMENSIONS(mm)								Bearing load (N)		Bearingsupportload		
		Standard bearing				Long Life bearing				E	A	S	G	I	Z	U	T	DF		C	C0	(N)
		Black		White		Black		White										Max	Min			
		Closed	Open	Closed	Open	Closed	Open	Closed	Open													
35	UCFC207 C	85651	85653	85659	85661	90371	90372	90373	90374	77,8	137	10,5	26	17	40,8	56	58	70	55	16600	15300	19550

FLANGE WITH CENTERING RING

CHROME STEEL BEARING																						
D	SERIE	CODES								DIMENSIONS(mm)								Bearing load (N)		Bearingsupportload		
		Standard bearing				Long Life bearing				E	A	S	G	I	Z	U	T	DF		C	C0	(N)
		Black		White		Black		White										Max	Min			
		Closed	Open	Closed	Open	Closed	Open	Closed	Open													
35	UCFC207 C	86029	86025	86031	86027	90375	90376	90377	90378	77,8	137	10,5	26	17	40,8	56	58	-	-	25500	15300	19550

STAINLESS STEEL BEARING AISI 440																						
D	SERIE	CODES								DIMENSIONS(mm)								Bearing load (N)		Bearingsupportload		
		Standard bearing				Long Life bearing				E	A	S	G	I	Z	U	T	DF		C	C0	(N)
		Black		White		Black		White										Max	Min			
		Closed	Open	Closed	Open	Closed	Open	Closed	Open													
35	UCFC207 C	86030	86026	86032	86028	90379	90380	90381	90382	77,8	137	10,5	26	17	40,8	56	58	-	-	16600	15300	19550



Round flanged bearing supports

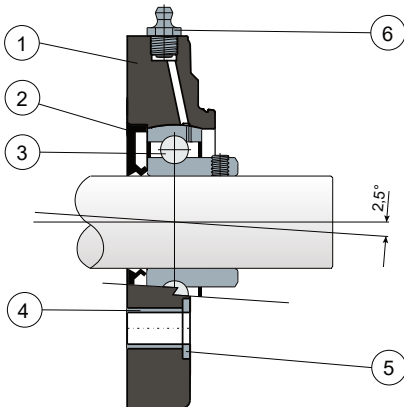
Serie **UCFC/CX**



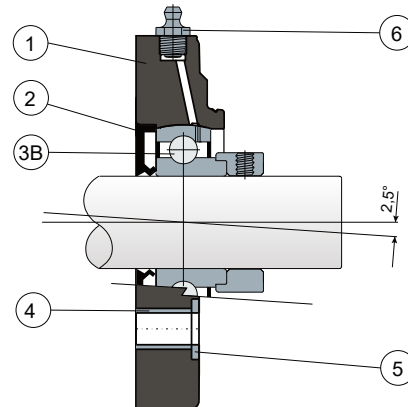
Long Life bearings: life long lubrication.



Grub screws shaft locking - Without protection cover



Eccentric collar shaft locking - Without protection cover



- 1) Housing made out of black or white colour polyamide reinforced with glass fibers.
- 2) Back gasket made out of NBR rubber for turning shaft seal.
- 3) Chrome steel or stainless steel bearing AISI 440. 3B) Chrome steel bearing.
- 4) Spacer for fixing reinforcement made out of stainless steel AISI 304.
- 5) UNI 6592 support washer made out of stainless steel AISI 304.
- 6) Greaser, straight type with 1/8 gas thread, made out of nickel-plated brass (absent in the versions with Long Life bearing).

NOTE: The protection cover can be ordered separately as an accessory; in the Long Life version, the greaser is absent and the lubrication channel is protected by a rubber cap.

Support dimensions respect ISO 3228 set of rules. Maximum shaft alignment error 2,5°. For further information please contact our technical office or sales department.

MATERIALS: Housing is made out of PA + glass fiber in black or white colours; bearing with grub screws shaft locking in chrome steel or stainless steel; bearing with eccentric collar shaft locking in chrome steel; greaser made out of nickel plated brass; reinforcement bushings and washers made out of stainless steel AISI 304; gaskets made out of NBR rubber; cover made out of polypropylene grey Ral 7042, blue Ral 5015, orange Ral 2004 or red Ral 3000 colour. FEATURES: The protection cover can be ordered separately as an accessory. Assembly with not shouldered shafts. Maximum shaft alignment error 2,5°. BOX QUANTITY: 8 pieces.

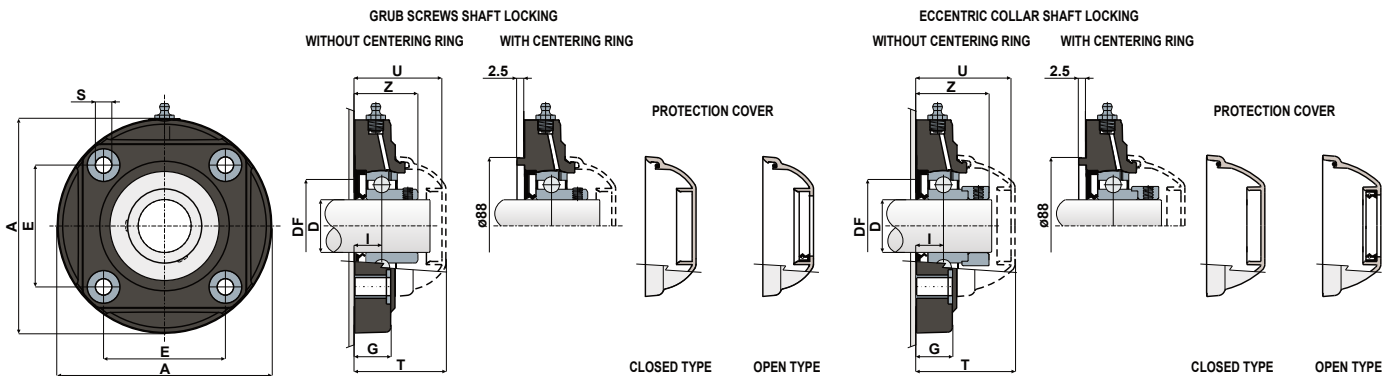
ON REQUEST: Versions with body in polypropylene + glass fiber and antibacterial additive; protection covers in different colours and with customized brand; box quantity according to your request; Viton gaskets.



Round flanged bearing supports

Technical data

Serie **UCFC/CX**



GRUB SCREWS SHAFT LOCKING - FLANGE WITHOUT CENTERING RING

CHROME STEEL BEARING														COVER CODES															
D	SERIE	Support CODES				DIMENSIONS (mm)										Bearing load (N)		Bearingsupportload		GREY RAL7042	BLUERAL5015	ORANGERAL2004	RED RAL3000						
		Standard bearing	Long Life bearing	Black	White	E	A	S	G	I	Z	U	T	DF		C	C0	(N)	Closed	Open	Closed	Open	Closed	Open					
		Black	White											Max	Min														
35	UCFC207	CX	8566β	8566β	90383	90384	77,8	137	10,5	26	17	40,8	56	58	70	55	2550	15300	19350			80077	80078	80969	80275	82284	82285	87544	87545

STAINLESS STEEL BEARING AISI440														COVER CODES															
D	SERIE	Support CODES				DIMENSIONS (mm)										Bearing load (N)		Bearingsupportload		GREY RAL7042	BLUERAL5015	ORANGERAL2004	RED RAL3000						
		Standard bearing	Long Life bearing	Black	White	E	A	S	G	I	Z	U	T	DF		C	C0	(N)	Closed	Open	Closed	Open	Closed	Open					
		Black	White											Max	Min														
35	UCFC207	CX	8566β	85667	90385	90386	77,8	137	10,5	26	17	40,8	56	58	70	55	1660	15300	19350			80077	80078	80969	80275	82284	82285	87544	87545

GRUB SCREWS SHAFT LOCKING - FLANGE WITH CENTERING RING

CHROME STEEL BEARING														COVER CODES														
D	SERIE	Support CODES				DIMENSIONS (mm)										Bearing load (N)		Bearingsupportload		GREY RAL7042	BLUERAL5015	ORANGERAL2004	RED RAL3000					
		Standard bearing	Long Life bearing	Black	White	E	A	S	G	I	Z	U	T	DF		C	C0	(N)	Closed	Open	Closed	Open	Closed	Open				
		Black	White											Max	Min													
35	UCFC207	CX	8603β	86035	90387	90388	77,8	137	10,5	26	17	40,8	56	58	-	2550	15300	19350			80077	80078	80969	80275	82284	82285	87544	87545

STAINLESS STEEL BEARING AISI440														COVER CODES														
D	SERIE	Support CODES				DIMENSIONS (mm)										Bearing load (N)		Bearingsupportload		GREY RAL7042	BLUERAL5015	ORANGERAL2004	RED RAL3000					
		Standard bearing	Long Life bearing	Black	White	E	A	S	G	I	Z	U	T	DF		C	C0	(N)	Closed	Open	Closed	Open	Closed	Open				
		Black	White											Max	Min													
35	UCFC207	CX	8603β	86036	89214	90389	77,8	137	10,5	26	17	40,8	56	58	-	1660	15300	19350			80077	80078	80969	80275	82284	82285	87544	87545

ECCENTRIC COLLAR SHAFT LOCKING - FLANGE WITHOUT CENTERING RING

CHROME STEEL BEARING														COVER CODES										
D	SERIE	Support CODES				DIMENSIONS (mm)										Bearing load (N)		Bearingsupportload		GREY RAL7042				
		Standard bearing	Long Life bearing	Black	White	E	A	S	G	I	Z	U	T	DF		C	C0	(N)	Closed	Open				
		Black	White											Max	Min									
35	UCFC207	CX	88706	88707	90390	90391	77,8	137	10,5	26	17	46,7	60,8	63,3	70	55	25500	15300	19550	19550	88377	88378		

ECCENTRIC COLLAR SHAFT LOCKING - FLANGE WITH CENTERING RING

CHROME STEEL BEARING														COVER CODES										
D	SERIE	Support CODES				DIMENSIONS (mm)										Bearing load (N)		Bearingsupportload		GREY RAL7042				
		Standard bearing	Long Life bearing	Black	White	E	A	S	G	I	Z	U	T	DF		C	C0	(N)	Closed	Open				
		Black	White											Max	Min									
35	UCFC207	CX	88708	88709	90392	90393	77,8	137	10,5	26	17	46,7	60,8	63,3	-	-	25500	15300	19550	19550	88377	88378		



Round flanged bearing supports

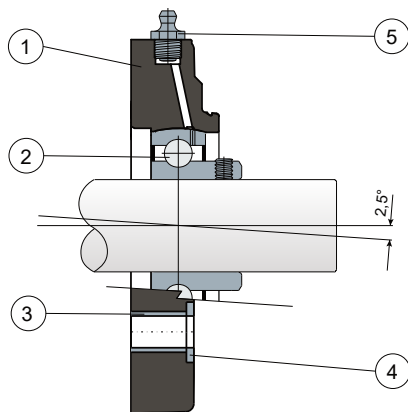
Serie **UCFC**



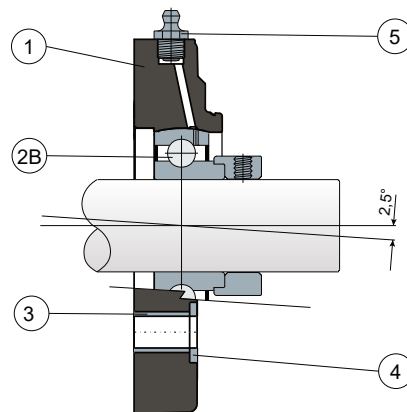
Long Life bearings: life long lubrication.



Grub screws shaft locking - Without cover and back gasket



Eccentric collar shaft locking - Without cover and back gasket



- 1) Housing made out of black or white colour polyamide reinforced with glass fibers.
- 2) Chrome steel or stainless steel bearing AISI 440. 2B) Chrome steel bearing.
- 3) Spacer for fixing reinforcement made out of stainless steel AISI 304.
- 4) UNI 6592 support washer made out of stainless steel AISI 304.
- 5) Greaser, straight type with 1/8 gas thread, made out of nickel-plated brass (absent in the versions with Long Life bearing).

NOTE: The back gasket and the protection cover can be ordered separately as accessories; in the Long Life version, the greaser is absent and the lubrication channel is protected by a rubber cap.

Support dimensions respect ISO 3228 set of rules. Maximum shaft alignment error 2,5°. For further information please contact our technical office or sales department.

MATERIALS: Housing is made out of PA + glass fiber in black or white colours; bearing with grub screws shaft locking in chrome steel or stainless steel; bearing with eccentric collar shaft locking in chrome steel; greaser made out of nickel plated brass; reinforcement bushings and washers made out of stainless steel AISI 304; gaskets made out of NBR rubber; cover made out of polypropylene grey Ral 7042, blue Ral 5015, orange Ral 2004 or red Ral 3000 colour. FEATURES: The back gasket and the protection cover can be ordered separately as accessories. Assembly with shouldered and not shouldered shafts. Maximum shaft alignment error 2,5°.

BOX QUANTITY: 8 pieces.

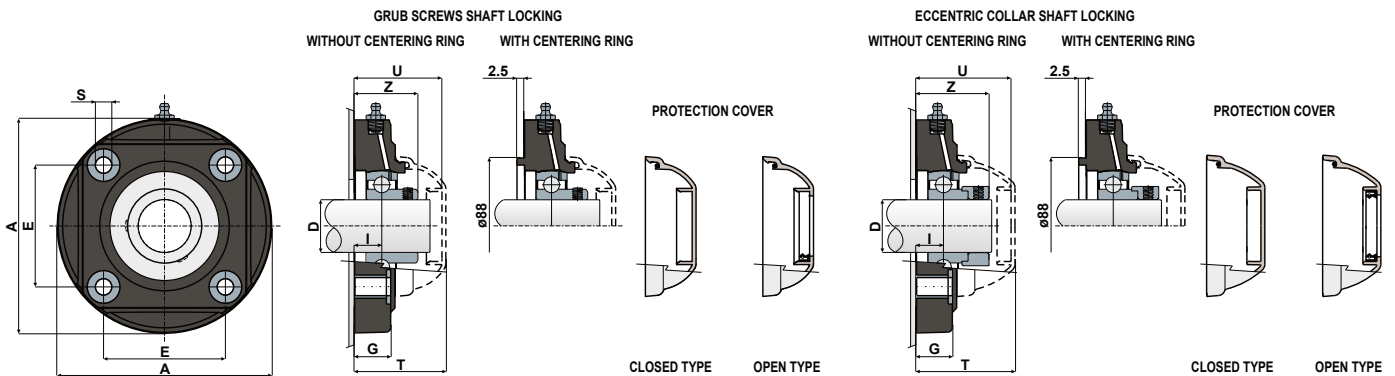
ON REQUEST: Versions with body in polypropylene + glass fiber and antibacterial additive; protection covers in different colours and with customized brand; box quantity according to your request; Viton gaskets.



Round flanged bearing supports

Technical data

Serie **UCFC**



GRUB SCREWS SHAFT LOCKING - FLANGE WITHOUT CENTERING RING

CHROME STEEL BEARING													COVER CODES											
D	SERIE	Support CODES				DIMENSIONS (mm)								Bearing load (N)		Bearingsupportload	GREY RAL7042	BLUERAL5015	ORANGERAL2004	RED RAL3000				
		Standard bearing		Long Life bearing		E	A	S	G	I	Z	U	T	C	CO	(N)	Closed	Open	Closed	Open	Closed	Open		
		Black	White	Black	White																			
35	UCFC207	85668	85670	87641	90394	77,8	137	10,5	26	17	40,8	56	58	25500	15300	19550	80077	80078	80969	80275	82284	82285	87544	87545

STAINLESS STEEL BEARING AISI 440													COVER CODES											
D	SERIE	Support CODES				DIMENSIONS (mm)								Bearing load (N)		Bearingsupportload	GREY RAL7042	BLUERAL5015	ORANGERAL2004	RED RAL3000				
		Standard bearing		Long Life bearing		E	A	S	G	I	Z	U	T	C	CO	(N)	Closed	Open	Closed	Open	Closed	Open		
		Black	White	Black	White																			
35	UCFC207	85669	85671	90395	90396	77,8	137	10,5	26	17	40,8	56	58	16600	15300	19550	80077	80078	80969	80275	82284	82285	87544	87545

GRUB SCREWS SHAFT LOCKING - FLANGE WITH CENTERING RING

CHROME STEEL BEARING													COVER CODES											
D	SERIE	Support CODES				DIMENSIONS (mm)								Bearing load (N)		Bearingsupportload	GREY RAL7042	BLUERAL5015	ORANGERAL2004	RED RAL3000				
		Standard bearing		Long Life bearing		E	A	S	G	I	Z	U	T	C	CO	(N)	Closed	Open	Closed	Open	Closed	Open		
		Black	White	Black	White																			
35	UCFC207	86021	86023	90397	90398	77,8	137	10,5	26	17	40,8	56	58	25500	15300	19550	80077	80078	80969	80275	82284	82285	87544	87545

STAINLESS STEEL BEARING AISI 440													COVER CODES											
D	SERIE	Support CODES				DIMENSIONS (mm)								Bearing load (N)		Bearingsupportload	GREY RAL7042	BLUERAL5015	ORANGERAL2004	RED RAL3000				
		Standard bearing		Long Life bearing		E	A	S	G	I	Z	U	T	C	CO	(N)	Closed	Open	Closed	Open	Closed	Open		
		Black	White	Black	White																			
35	UCFC207	86022	86024	90399	90400	77,8	137	10,5	26	17	40,8	56	58	16600	15300	19550	80077	80078	80969	80275	82284	82285	87544	87545

15300

ECCENTRIC COLLAR SHAFT LOCKING - FLANGE WITHOUT CENTERING RING

CHROME STEEL BEARING													COVER CODES					
D	SERIE	Support CODES				DIMENSIONS (mm)								Bearing load (N)		Bearingsupportload	GREY RAL7042	
		Standard bearing		Long Life bearing		E	A	S	G	I	Z	U	T	C	CO	(N)	Closed	Open
		Black	White	Black	White													
35	UCFC207	88710	88711	90401	90402	77,8	137	10,5	26	17	46,7	60,8	63,3	23500	15300	188377	88378	

ECCENTRIC COLLAR SHAFT LOCKING - FLANGE WITH CENTERING RING

CHROME STEEL BEARING													COVER CODES					
D	SERIE	Support CODES				DIMENSIONS (mm)								Bearing load (N)		Bearingsupportload	GREY RAL7042	
		Standard bearing		Long Life bearing		E	A	S	G	I	Z	U	T	C	CO	(N)	Closed	Open
		Black	White	Black	White													
35	UCFC207	88712	88713	90403	90404	77,8	137	10,5	26	17	46,7	60,8	63,3	25500	19550	15300	88377	88378

CONSTRUKTOR

www.construktor.com

OFICJALNY
PARTNER
FIRMY:

teCom
Technology Components

TECOM S.r.l.

Via A.M. Ampère, 43 - 42017 Novellara (RE) - Italy

Tel.: (+39) 0522-651203 Tel.: (+39) 0522-651369

Web: <https://www.tecomsrl.it> e-mail: info@tecomsrl.it