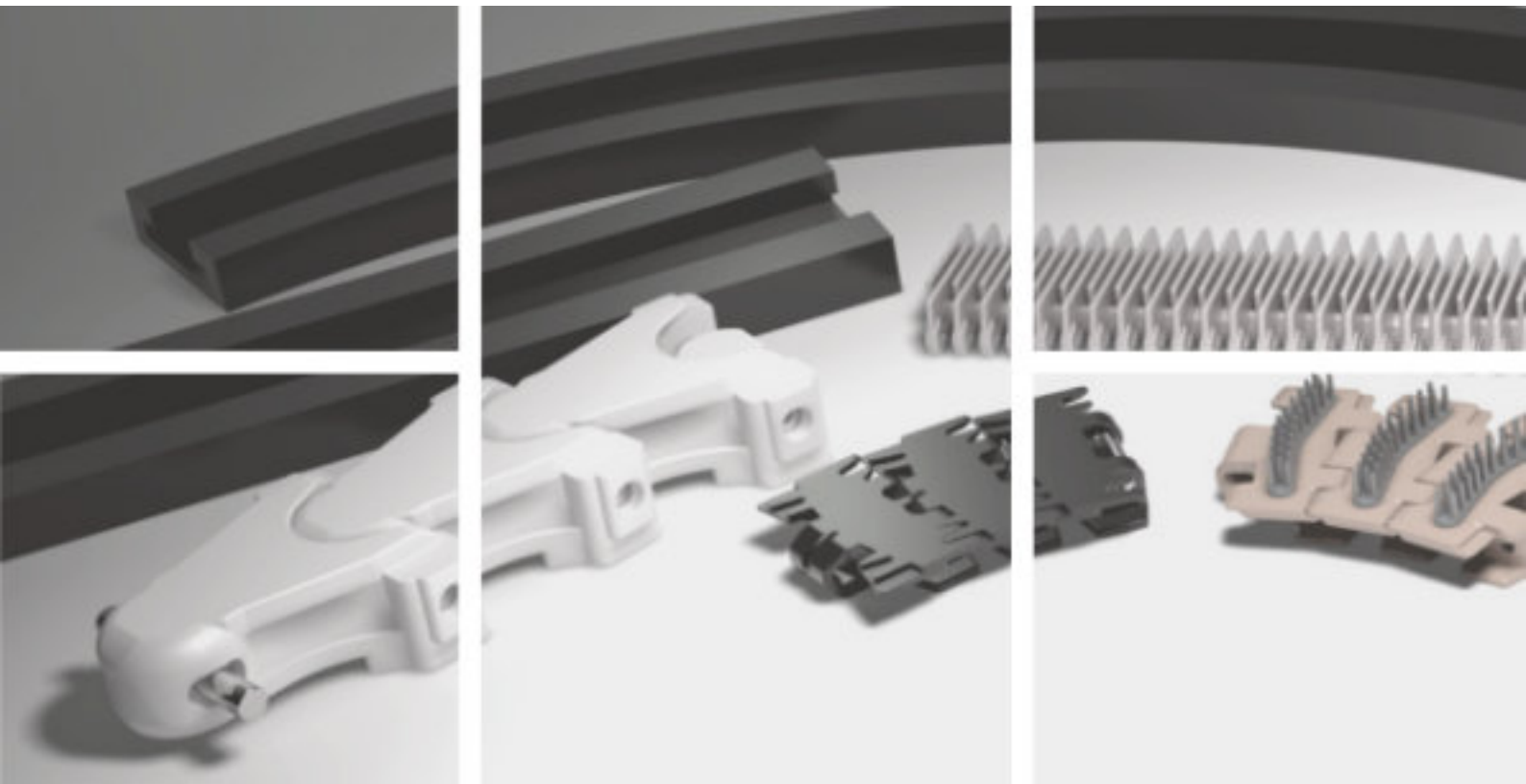
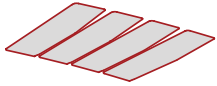


**PRODUKTY
SPECJALNE
2024**



CONST**R****UKTOR**

www.construktor.com












Special products



Part	Pag.
700	159
702	158
704	159
705	162
706	162
707	162
710	160
711	160
713	161
Corner tracks	163
Straight tracks.....	163

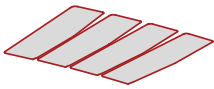
The products shown in this part are available only on request

Chains and accessories

 <p>Part. 702 pag. 158</p>	 <p>Part. 700 pag. 159</p>	 <p>Part. 704 pag. 159</p>	 <p>Part. 710 pag. 160</p>	 <p>Part. 711 pag. 160</p>
 <p>Part. 713 pag. 161</p>	 <p>Part. 705 pag. 162</p>	 <p>Part. 706 pag. 162</p>	 <p>Part. 707 pag. 162</p>	

Corner and straight tracks

 <p>Corner tracks pag. 163</p>	 <p>Straight tracks pag. 163</p>
--	--



Chains and accessories

Part. **702** **Top plate**
(for roller chains)

NEW



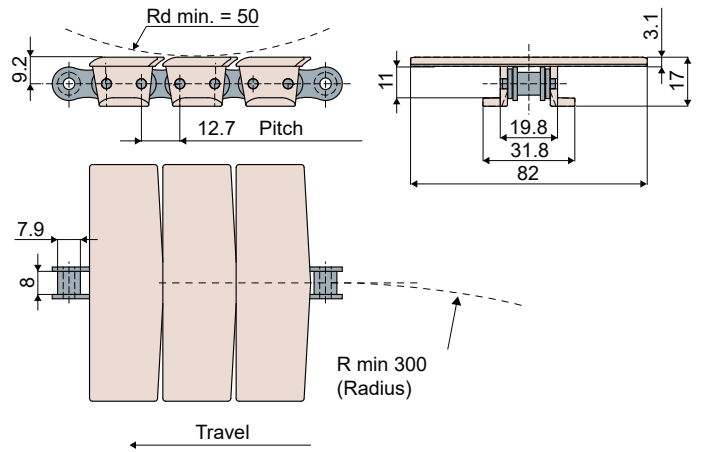
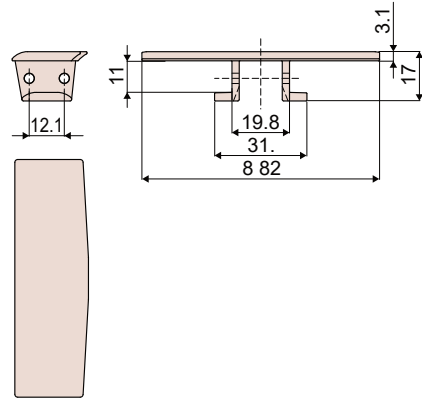
Code
702 / 86231

MATERIALS: Top plate made of brown colour acetal.

FEATURES: Mounting with roller chains type ASA 40 Sidebow. BOX QUANTITY: 24 pieces.

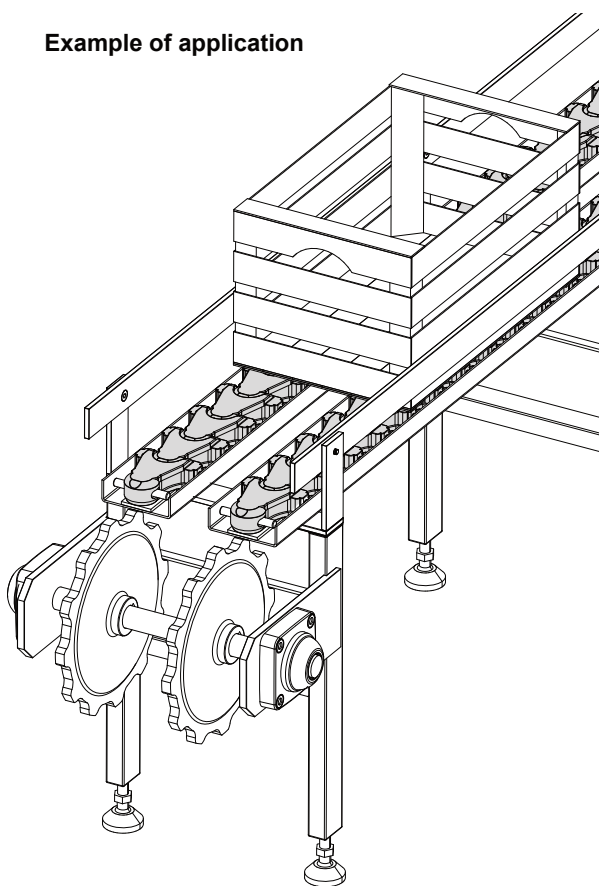
ON REQUEST:

- Top plates: In polypropylene, different colours.
- Chain: Type Asa 40 Sidebow.
- Box quantity: According to your request.



Chains and accessories

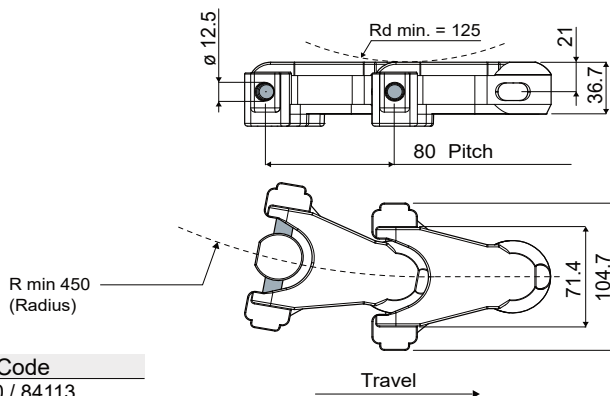
Example of application



Cardanic chain

(sideflexing for important loads; pitch 80 mm)

Part. **700**



Code
700 / 84113

MATERIALS: Chain made of natural acetal; notch made of polyamide; pin made of stainless steel AISI 430.

FEATURES: To be used in the conveyor systems; for important loads (breaking load: 19600 N).

BOX QUANTITY: 3,040 meters.

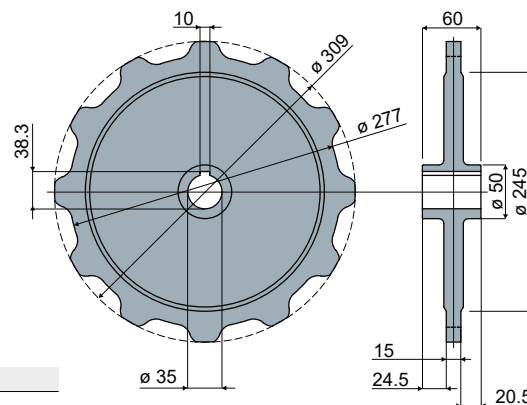
ON REQUEST:

- Chains: In different colours.
- Box quantity: According to your request.

Sprocket 12 teeth

(for cardanic chain Part. 700)

Part. **704**



Code
704 / 84207

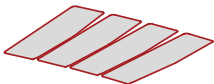
MATERIALS: Sprockets in zinc plated steel.

FEATURES: To be used with chain Part.700.

BOX QUANTITY: 2 pieces.

ON REQUEST:

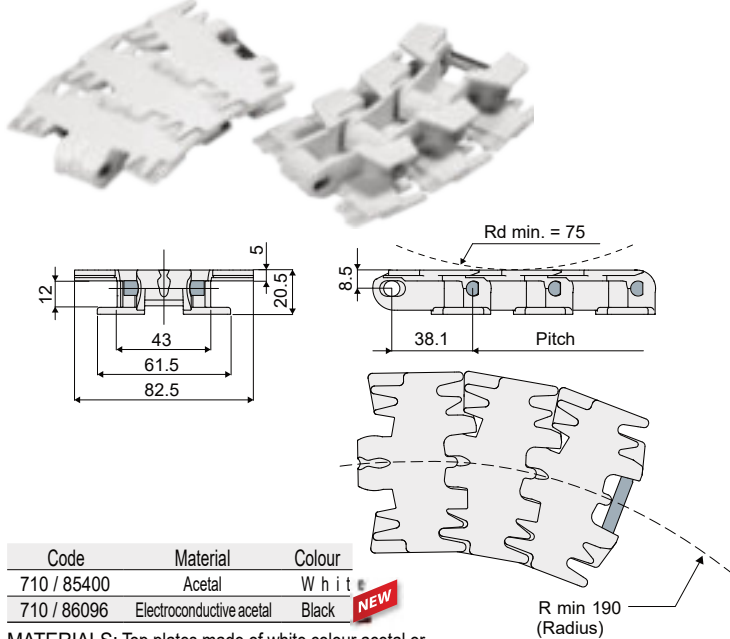
- Sprockets: In different materials.
- Box quantity: According to your request.



Chains and accessories

Part. 710

Sideflex chain
(879 TAB Safety Finger)



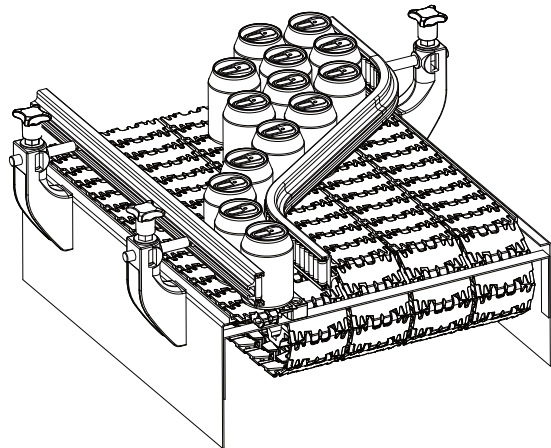
Code	Material	Colour
710 / 85400	Acetal	White
710 / 86096	Electroconductive acetal	Black

NEW

MATERIALS: Top plates made of white colour acetal or black colour electroconductive acetal; pins made of stainless steel/AISI 304.
FEATURES: To be used with wheels: Part.310, 457, 456, 455, 454, 458, 459. Max. working load: 2100 N.
BOX QUANTITY: 3,05 Mt.
ON REQUEST:

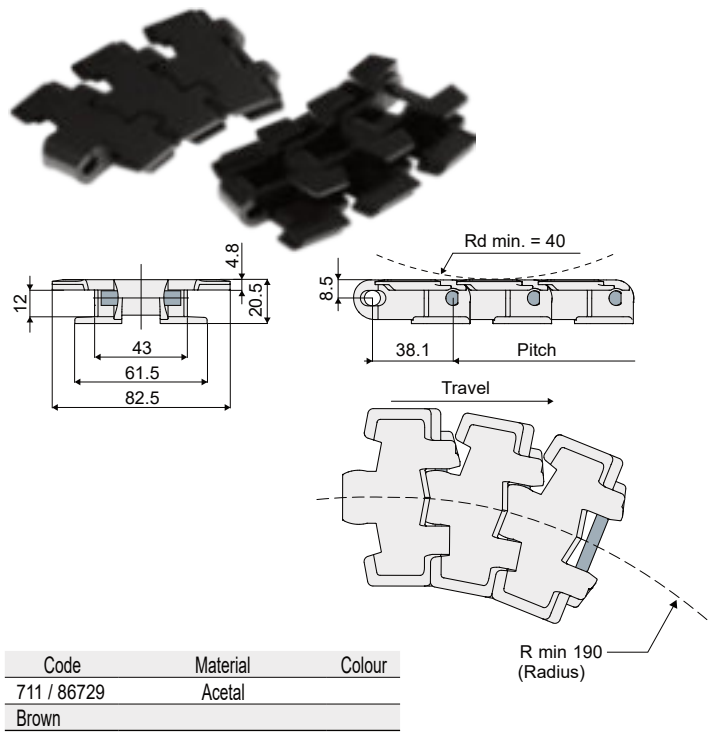
- Top plates: In different materials; other colours.
- Box quantity: According to your request.

Example of application



Part. 711

Sideflex chain
(879 TAB BO)

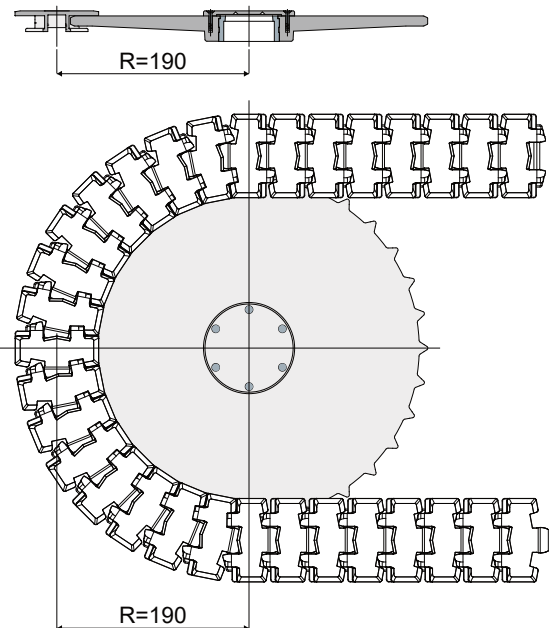


Code	Material	Colour
711 / 86729	Acetal	Brown
711 / 86730	PA+ auto-lubricating additive	Black

MATERIALS: Top plates in brown colour acetal or in black colour polyamide with auto-lubricating additive; pins in stainless steel AISI 304.
FEATURES: To be used with wheels: Part.310, 457, 456, 455, 454, 458, 459. Max. working load: 2100 N.
BOX QUANTITY: 3,05 Mt.
ON REQUEST:

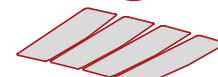
- Top plates: In different materials; other colours.
- Box quantity: According to your request.

Example of application



Chains and accessories

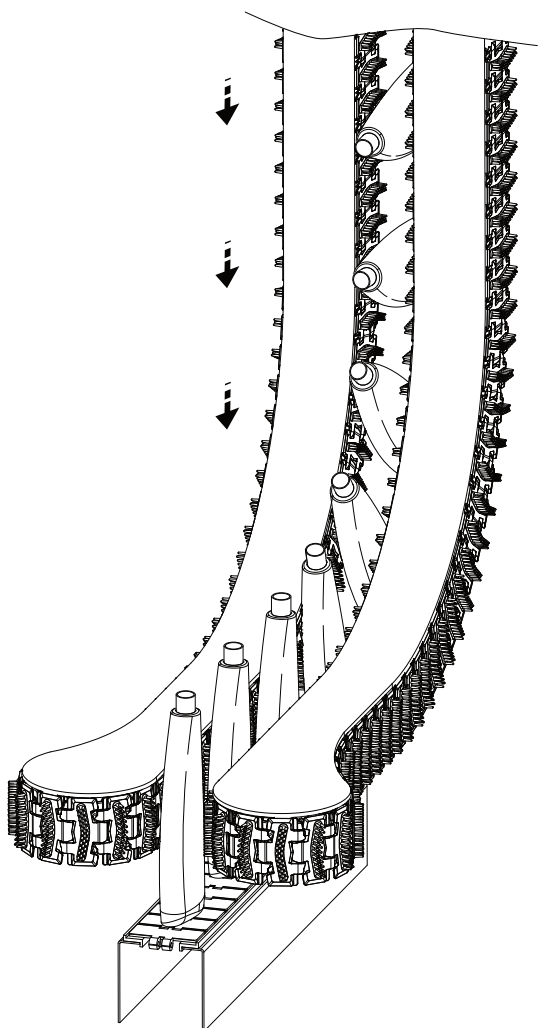
ergo



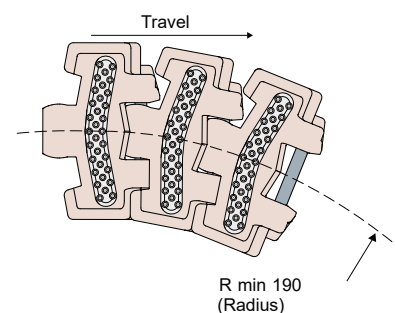
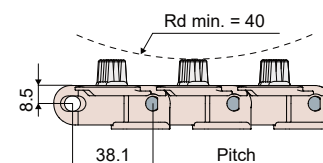
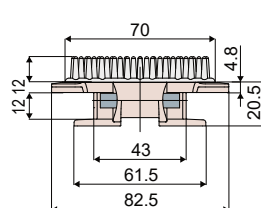
Special

Part. **713**

Example of application



Sideflex chain with rubber top (879 TAB BO)



Code

713 / 87153

MATERIALS: Top plates in brown colour acetal; grey colour thermoplastic rubber; pins in stainless steel AISI 304.

FEATURES: To be used with wheels:

Part.310, 457, 456, 455, 454, 458, 459; ideal for elevators. Max. working load: 2100 N.

BOX QUANTITY: 3,05 Mt.

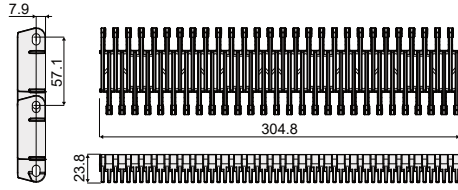
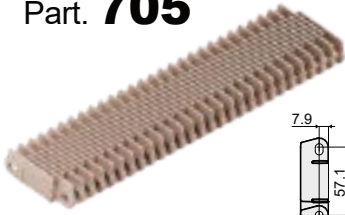
ON REQUEST:

- Top plates: In different materials; other colours.
- Box quantity: According to your request.

Chains and accessories

Part. 705

Loose link for belt



Code
705 / 84208

MATERIALS: Loose links in light brown polypropylene.

FEATURES:

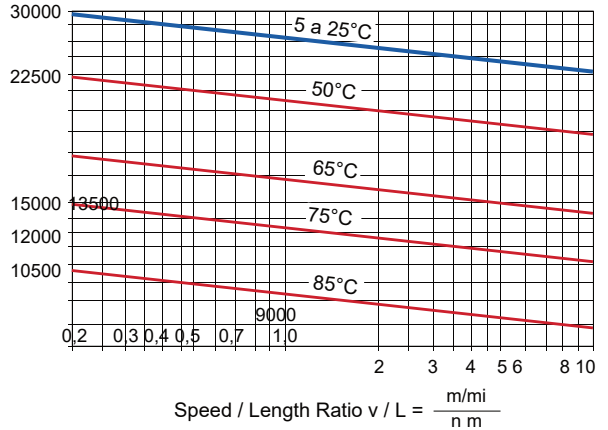
- Use: Perfect for use in the food industry, it guarantees a uniform conveyor surface.
- Max working load: 29200 N/m (1 mt. belt at + 20°C).
- Working temperature: from +5°C to +105°C.
- Open surface: 34%
- Assembly: with a pin diameter 6 mm (not supplied).

BOX QUANTITY: 24 pieces.

ON REQUEST:

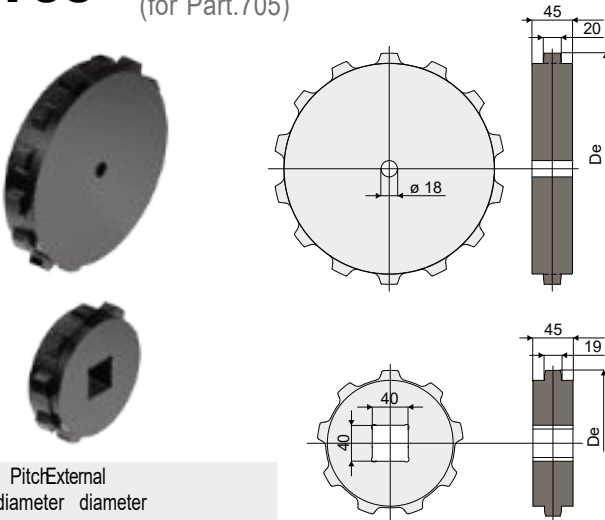
- Loose links: In acetal.
- Belts: Supplied assembled in different sizes.
- Transfer combs: On request.
- Box quantity: According to your request.

Max working load (N / m)



Part. 706

Sprocket / Idler wheel (for Part.705)



N. teeth	Pitch/External diameter		Code
	Dp (mm)	De (mm)	
14	256,82	256,5	706 / 84209
9	167,08	164,1	706 / 85850

MATERIALS: Sprockets in black polyamide.

FEATURES: To be used with modular belts Part.705.

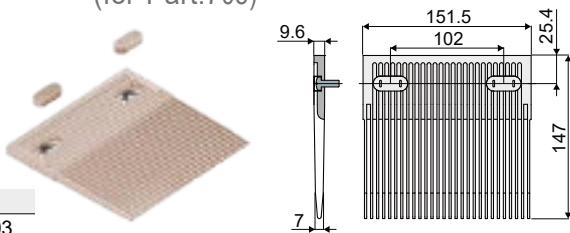
BOX QUANTITY: 2 pieces.

ON REQUEST:

- Box quantity: According to your request.

Part. 707

Transfer comb (for Part.705)



Code
707 / 88703

MATERIALS: Comb and screw caps in light brown polypropylene, M6 screws in stainless steel.

FEATURES: To be used with modular belts Part. 705.

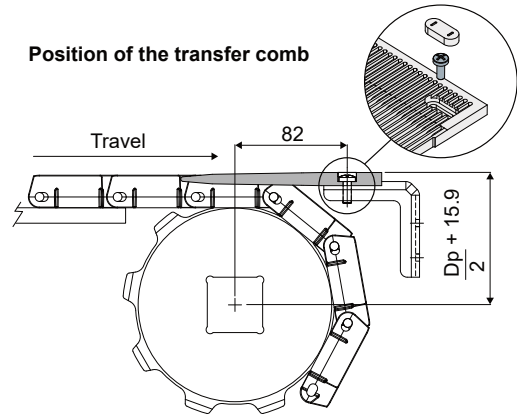
The type of mounting depends on the operating temperatures.

BOX QUANTITY: 8 pieces.

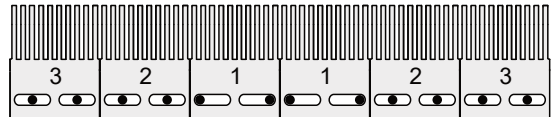
ON REQUEST:

- Box quantity: According to your request.

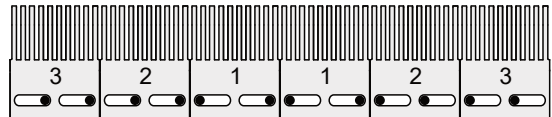
Position of the transfer comb



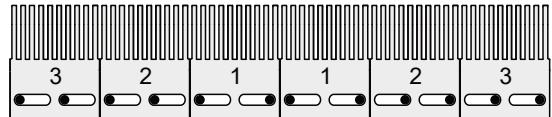
Assembly at room temperature (20° C)



Low temperature assembly

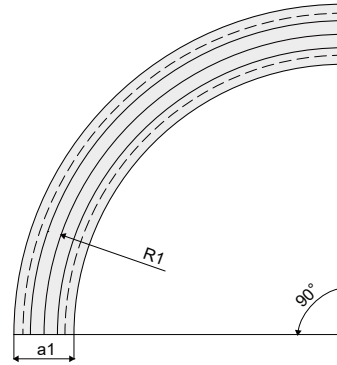
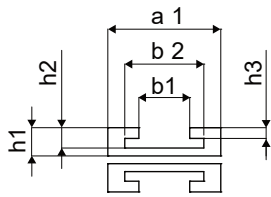


High temperature assembly



Center of the chain

Corner and straight tracks



Corner tracks



Chain type	Chain width	R1 (mm)	a1 (mm)	b1 (mm)	b2 (mm)	h1 (mm)	h2 (mm)	h3 (mm)	Track type	Material	Cod. Tecom
879TAB-K325 880TAB-K325 881TAB-K325 8811TAB-K325	82,5	500	100	45	70	25	18	9,5	Carry Return	PE 1000 PE 500	83445 83446
879TAB-K450 880TAB-K450 880TAB-K454 881TAB-K450 8811TAB-K450	114,3	610	125	45	70	25	18	9,5	Carry Return	PE 1000 PE 500	83449 83450
881TAB-K750 8811TAB-K750	190,5	610	200	45	70	25	18	9,5	Carry Return	PE 1000 PE 500	83451 83452

MATERIALS: Upper parts in PE 1000, black colour and bottom parts in PE 500 black colour.

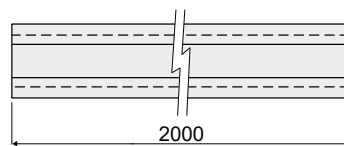
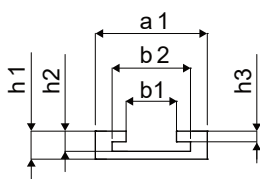
FEATURES: To be used to drive the chain in the corner sections.

BOX QUANTITY: 2 pieces.

ON REQUEST:

- Corner tracks: Magnetic, with different molecular weight; customised sizes.
- Box quantity: According to your request.

Straight tracks



Chain type	Chain width	a1 (mm)	b1 (mm)	b2 (mm)	h1 (mm)	h2 (mm)	h3 (mm)	Material	Cod. Tecom
879TAB-K325 879BO-K325 880TAB-K325 881TAB-K325 8811TAB-K325	82,5	100	45	70	25	18	9,5	PE 500	83652
879TAB-K450 879BO-K450 880TAB-K450 881TAB-K450 8811TAB-K450	114,3	125	45	70	25	18	9,5	PE 500	83653

MATERIALS: Straight tracks in PE 500 black colour.

FEATURES: To be used to drive the chain in the straight sections.

BOX QUANTITY: 2 pieces.

ON REQUEST:

- Straight tracks: With different molecular weight, customised sizes.
- Box quantity: According to your request.

CONSTRUKTOR

www.construktor.com

OFICJALNY
PARTNER
FIRMY:

teCom
Technology Components

TECOM S.r.l.

Via A.M. Ampère, 43 - 42017 Novellara (RE) - Italy
Tel.: (+39) 0522-651203 Tel.: (+39) 0522-651369
Web: <https://www.tecomsrl.it> e-mail: info@tecomsrl.it