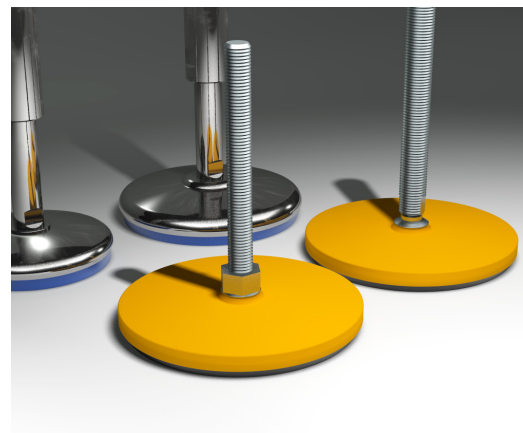
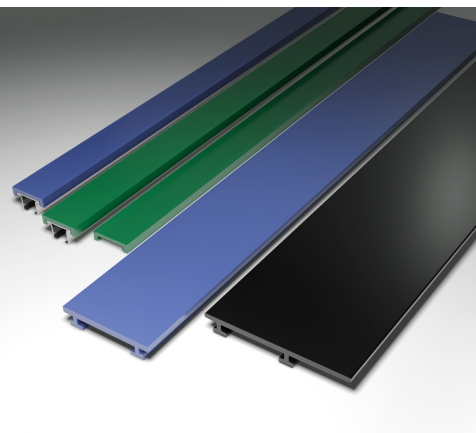
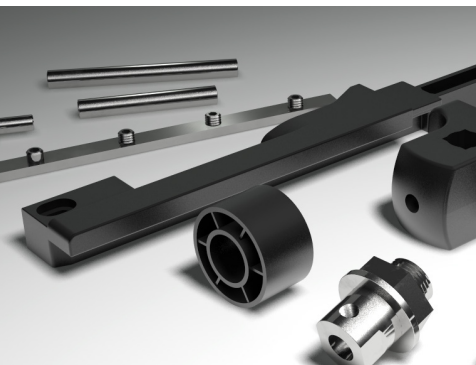


KOMPONENTY MASZYN KATALOG

2024







CONST **R**UKTOR

www.construktor.com

Conveyor components

Part.	Pag.	Part.	Pag.	Part.	Pag.	Part.	Pag.	Part.	Pag.	Part.	Pag.	Part.	Pag.
200	10	247	37	297	60	346	46	397	42	444	142	493	115
201	10	248	37	299	149	347	46	398	48	446	137	494	115
202	11	249	73	300	86	348	47	399	73	448	121	495	145
203	11	250	70	301	48	349	47	400	42	449	122	496	145
204	49	251	71	302	70	350	40	401	16	450	123	497	145
205	49	252	72	303	41	352	151	402	14	451	121	498	146
206	56	253	72	304	41	353	135	403	16	452	122	499	146
207	13	254	75	305	41	354	133	404	16	453	123	500	127
208	12	255	24	306	98	355	106	405	51	454	78	501	124
209	25	256	35	307	98	356	106	406	33	455	78	502	124
210	15	257	92	308	99	357	107	407	33	456	79	511	112
211	13	258	93	310	77	358	107	408	31	457	79	512	140
212	12	259	93	311	76	359	63	409	14	458	84	513	139
213	17	260	95	312	60	360	147	410	51	459	85	514	136
214	17	261	96	313	38	361	153	411	51	460	48	515	131
215	18	262	96	314	38	362	153	412	50	461	144	517	140
216	20	263	86	315	38	363	153	413	50	462	152	518	130
217	25	264	87	316	148	364	153	414	89	463	111	519	143
218	21	265	87	317	86	365	154	415	114	464	108	520	69
219	24	266	34	318	112	366	154	416	95	465	109	521	50
220	26	267	63	319	99	367	154	417	92	466	109	522	113
221	34	268	77	320	110	368	154	418	134	467	104	523	83
222	34	269	77	321	110	369	155	419	134	468	100	524	75
223	35	270	66	322	110	370	155	420	135	469	136	525	74
224	28	271	66	323	110	371	155	421	120	470	54	526	35
225	28	272	69	324	58	373	132	422	119	471	146	527	90
226	36	273	67	325	102	374	152	423	118	472	80	528	111
227	36	274	68	326	102	375	129	424	52	473	80	529	76
228	36	275	69	327	103	376	91	425	130	474	100	530	28
229	43	276	74	328	103	377	141	426	130	475	101	531	54
230	43	277	64	329	111	379	65	427	55	476	101	534	131
231	44	278	64	330	128	380	65	428	62	477	104	535	83
232	44	279	20	331	150	381	138	429	148	478	105	536	131
233	90	280	19	332	42	382	40	430	94	479	105	537	56
234	90	281	19	333	61	383	40	431	94	480	108	538	67
235	29	282	75	334	39	384	138	432	97	481	114	539	58
236	29	283	89	335	88	385	139	433	97	482	109	540	82
237	57	285	76	336	88	386	39	434	55	483	45	541	82
238	58	286	67	337	39	387	30	435	61	484	45	542	81
239	59	287	68	338	39	388	126	436	30	485	136	543	81
240	57	288	91	339	119	389	142	437	113	486	27	544	127
241	59	289	43	340	116	390	143	438	137	487	27	545	127
242	26	290	45	341	116	391	143	439	53	488	22		
243	18	291	44	342	117	392	30	440	53	489	22		
244	21	293	74	343	117	393	126	441	32	490	23		
245	73	294	40	344	120	394	126	442	32	491	23		
246	37	296	71	345	118	395	126	443	52	492	144		

Bases

			
Part. 200 pag. 10	Part. 201 pag. 10	Part. 202 pag. 11	Part. 203 pag. 11






Bearing heads

					
Part. 212 pag. 12	Part. 208 pag. 12	Part. 211 pag. 13	Part. 207 pag. 13	Part. 409 pag. 14	Part. 402 pag. 14



Connecting joints

				
Part. 210 pag. 15	Part. 210 pag. 15	Part. 403 pag. 16	Part. 404 pag. 16	Part. 401 pag. 16






Guide rail brackets

						
Part. 213 pag. 17	Part. 214 pag. 17	Part. 215 pag. 18	Part. 243 pag. 18	Part. 280 pag. 19	Part. 281 pag. 19	Part. 279 pag. 20
						
Part. 216 pag. 20	Part. 218 pag. 21	Part. 244 pag. 21	Part. 488 pag. 22	Part. 489 pag. 22	Part. 490 pag. 23	Part. 491 pag. 23
						
Part. 255 pag. 24	Part. 219 pag. 24	Part. 217 pag. 25	Part. 209 pag. 25	Part. 220 pag. 26	Part. 242 pag. 26	Part. 486 pag. 27
						
Part. 487 pag. 27	Part. 224 pag. 28	Part. 225 pag. 28	Part. 530 pag. 28	Part. 236 pag. 29	Part. 235 pag. 29	Part. 387 pag. 30
						
Part. 392 pag. 30	Part. 436 pag. 30	Part. 408 pag. 31	Part. 408 pag. 31	Part. 442 pag. 32	Part. 441 pag. 32	
























Tightening eyebolts

	Part. 406	pag. 33		Part. 407	pag. 33
---	-----------	---------	---	-----------	---------

Heads for brackets

	Part. 222	pag. 34		Part. 221	pag. 34		Part. 266	pag. 34		Part. 223	pag. 35		Part. 256	pag. 35		Part. 526	pag. 35
---	-----------	---------	---	-----------	---------	---	-----------	---------	---	-----------	---------	---	-----------	---------	---	-----------	---------

Knobs and handles

	Part. 226	pag. 36		Part. 227	pag. 36		Part. 228	pag. 36		Part. 246	pag. 37		Part. 247	pag. 37		Part. 248	pag. 37		Part. 313	pag. 38		Part. 314	pag. 38
	Part. 315	pag. 38		Part. 386	pag. 39		Part. 334	pag. 39		Part. 337	pag. 39		Part. 338	pag. 39		Part. 382	pag. 40		Part. 383	pag. 40		Part. 350	pag. 40
	Part. 294	pag. 40		Part. 303	pag. 41		Part. 304	pag. 41		Part. 305	pag. 41		Part. 397	pag. 42		Part. 400	pag. 42		Part. 332	pag. 42			

Guide rail clamps

	Part. 230	pag. 43		Part. 289	pag. 43		Part. 229	pag. 43		Part. 231	pag. 44		Part. 232	pag. 44		Part. 291	pag. 44		Part. 483	pag. 45		Part. 484	pag. 45
	Part. 290	pag. 45		Part. 346	pag. 46		Part. 347	pag. 46		Part. 348	pag. 47		Part. 349	pag. 47		Part. 301	pag. 48		Part. 460	pag. 48		Part. 398	pag. 48
	Part. 204	pag. 49		Part. 205	pag. 49		Part. 412	pag. 50		Part. 413	pag. 50		Part. 521	pag. 50		Part. 410	pag. 51		Part. 411	pag. 51		Part. 405	pag. 51
	Part. 424	pag. 52		Part. 443	pag. 52		Part. 440	pag. 53		Part. 439	pag. 53		Part. 470	pag. 54		Part. 531	pag. 54		Part. 427	pag. 55		Part. 434	pag. 55

Clamps

 Part. 537 pag. 56	 Part. 206 pag. 56	 Part. 237 pag. 57	 Part. 240 pag. 57	 Part. 539 pag. 58	 Part. 238 pag. 58	 Part. 324 pag. 58
 Part. 239 pag. 59	 Part. 241 pag. 59	 Part. 297 pag. 60	 Part. 312 pag. 60	 Part. 435 pag. 61	 Part. 333 pag. 61	

Shoes

 Part. 428 pag. 62	 Part. 267 pag. 63	 Part. 359 pag. 63
---	---	--





















Chain tensioners

 Part. 277 pag. 64	 Part. 278 pag. 64
---	---

Return rollers

 Part. 379 pag. 65	 Part. 380 pag. 65	 Part. 270 pag. 66	 Part. 271 pag. 66	 Part. 273 pag. 67	 Part. 538 pag. 67	 Part. 286 pag. 67
 Part. 287 pag. 68	 Part. 274 pag. 68	 Part. 275 pag. 69	 Part. 272 pag. 69	 Part. 520 pag. 69	 Part. 302 pag. 70	 Part. 250 pag. 70
 Part. 251 pag. 71	 Part. 296 pag. 71	 Part. 252 pag. 72	 Part. 253 pag. 72	 Part. 249 pag. 73	 Part. 245 pag. 73	 Part. 399 pag. 73
 Part. 293 pag. 74	 Part. 525 pag. 74	 Part. 276 pag. 74	 Part. 254 pag. 75	 Part. 524 pag. 75	 Part. 282 pag. 75	





Idler wheels

 Part. 311 pag. 76	 Part. 529 pag. 76	 Part. 285 pag. 76	 Part. 310 pag. 77	 Part. 268 pag. 77	 Part. 269 pag. 77	 Part. 455 pag. 78
 Part. 454 pag. 78	 Part. 457 pag. 79	 Part. 456 pag. 79	 Part. 472 pag. 80	 Part. 473 pag. 80	 Part. 542 pag. 81	 Part. 543 pag. 81
 Part. 540 pag. 82	 Part. 541 pag. 82	 Part. 535 pag. 83	 Part. 523 pag. 83	 Part. 458 pag. 84	 Part. 459 pag. 85	

Bearing supports

 Part. 300 pag. 86	 Part. 317 pag. 86	 Part. 263 pag. 86	 Part. 264 pag. 87	 Part. 265 pag. 87
--	--	--	--	--

Bushings

 Part. 336 pag. 88	 Part. 335 pag. 88	 Part. 414 pag. 89	 Part. 283 pag. 89
--	--	--	--













Hinges

 Part. 233 pag. 90	 Part. 234 pag. 90	 Part. 527 pag. 90
--	--	--


























































































Split shaft collars

 Part. 288 pag. 91	 Part. 376 pag. 91
--	--

Modular transfer plates

 Part. 257 pag. 92	 Part. 417 pag. 92	 Part. 258 pag. 93	 Part. 259 pag. 93	 Part. 430 pag. 94	 Part. 431 pag. 94
 Part. 260 pag. 95	 Part. 416 pag. 95	 Part. 261 pag. 96	 Part. 262 pag. 96	 Part. 432 pag. 97	 Part. 433 pag. 97

Product guides and accessories

 Part. 306 pag. 98	 Part. 307 pag. 98	 Part. 308 pag. 99	 Part. 319 pag. 99	 Part. 468 pag. 100	 Part. 474 pag. 100
 Part. 475 pag. 101	 Part. 476 pag. 101	 Part. 325 pag. 102	 Part. 326 pag. 102	 Part. 327 pag. 103	 Part. 328 pag. 103
 Part. 467 pag. 104	 Part. 477 pag. 104	 Part. 478 pag. 105	 Part. 479 pag. 105	 Part. 355 pag. 106	 Part. 356 pag. 106
 Part. 357 pag. 107	 Part. 358 pag. 107	 Part. 464 pag. 108	 Part. 480 pag. 108	 Part. 482 pag. 109	 Part. 466 pag. 109
 Part. 465 pag. 109	 Part. 320 pag. 110	 Part. 321 pag. 110	 Part. 322 pag. 110	 Part. 323 pag. 110	 Part. 329 pag. 111
 Part. 463 pag. 111	 Part. 528 pag. 111	 Part. 511 pag. 112	 Part. 318 pag. 112	 Part. 437 pag. 113	 Part. 522 pag. 113
 Part. 415 pag. 114	 Part. 481 pag. 114	 Part. 493 pag. 115	 Part. 494 pag. 115	 Part. 340 pag. 116	 Part. 341 pag. 116
 Part. 342 pag. 117	 Part. 343 pag. 117	 Part. 345 pag. 118	 Part. 423 pag. 118	 Part. 339 pag. 119	 Part. 422 pag. 119
 Part. 344 pag. 120	 Part. 421 pag. 120	 Part. 448 pag. 121	 Part. 451 pag. 121	 Part. 449 pag. 122	 Part. 452 pag. 122
 Part. 450 pag. 123	 Part. 453 pag. 123	 Part. 502 pag. 124	 Part. 501 pag. 124	 Part. 501 pag. 124	 Part. 501 pag. 125
 Part. 501 pag. 125	 Part. 388 pag. 126	 Part. 393 pag. 126	 Part. 394 pag. 126	 Part. 395 pag. 126	 Part. 500 pag. 127
 Part. 544 pag. 127	 Part. 545 pag. 127	 Part. 330 pag. 128	 Part. 375 pag. 129	 Part. 426 pag. 130	 Part. 425 pag. 130
 Part. 518 pag. 130	 Part. 536 pag. 131	 Part. 515 pag. 131	 Part. 534 pag. 131	 Part. 373 pag. 132	 Part. 354 pag. 133
 Part. 418 pag. 134	 Part. 419 pag. 134	 Part. 420 pag. 135	 Part. 353 pag. 135	 Part. 469 pag. 136	 Part. 514 pag. 136
 Part. 485 pag. 136	 Part. 438 pag. 137	 Part. 369 pag. 155	 Part. 370 pag. 155	 Part. 371 pag. 155	

Chain guides and accessories

 Part. 446 pag. 137	 Part. 381 pag. 138	 Part. 384 pag. 138	 Part. 385 pag. 139	 Part. 513 pag. 139	 Part. 512 pag. 140
 Part. 517 pag. 140	 Part. 377 pag. 141	 Part. 444 pag. 142	 Part. 389 pag. 142	 Part. 519 pag. 143	 Part. 390 pag. 143
 Part. 391 pag. 143	 Part. 461 pag. 144	 Part. 492 pag. 144	 Part. 496 pag. 145	 Part. 495 pag. 145	 Part. 497 pag. 145
 Part. 471 pag. 146	 Part. 498 pag. 146	 Part. 499 pag. 146	 Part. 361 pag. 153	 Part. 362 pag. 153	 Part. 363 pag. 153
 Part. 364 pag. 153	 Part. 365 pag. 154	 Part. 366 pag. 154	 Part. 367 pag. 154	 Part. 368 pag. 154	

Accessories for the cross adjustment of the side guides

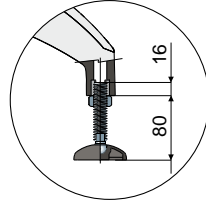
 Part. 429 pag. 148	 Part. 316 pag. 148	 Part. 299 pag. 149	 Part. 331 pag. 150
 Part. 352 pag. 151	 Part. 462 pag. 152	 Part. 374 pag. 152	

Process control

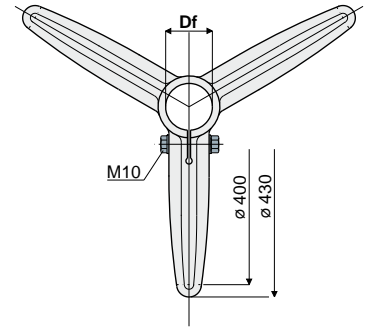
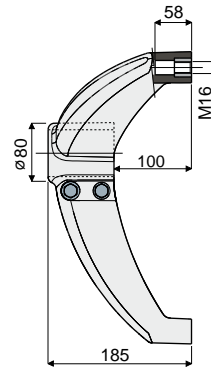
 Part. 360 pag. 147
--

Bases

Part. 200 Support base (tripod)



Max protrusion advised



Df Bore for tubes of		Zinc plated steel bolts and nuts	Stainless steel AISI 304 bolts and nuts	Tube unthreading load	Max static load allowed
(mm)	(Inches)	Code	Code	(N)	(N)
60,3	2" GAS	200 / 80588	200 / 80589	9600	15800
50,8	2" IMPERIAL	200 / 82070	200 / 82071		
48,3	1" 1/2 GAS	200 / 80590	200 / 80591		
42,4	1" 1/4 GAS	200 / 80592	200 / 80593		
40x40	square tube	200 / 85108	200 / 85109		
45x45	square tube	200 / 80271	200 / 80753		

MATERIALS: Base made of reinforced polyamide black colour; threaded bushing made of nickel plated brass; fixing bolts and nuts made of stainless steel AISI 304 or zinc plated steel.

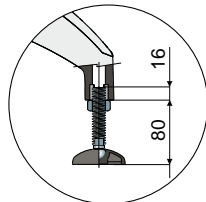
FEATURES: Max tightening torque 3,6 Kg-m.

BOX QUANTITY: 8 pieces.

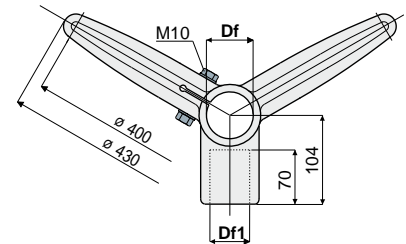
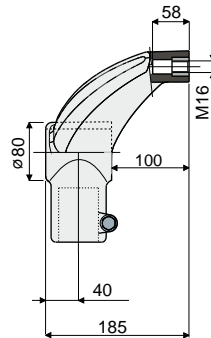
ON REQUEST:

- Bases: In reinforced polypropylene, other colours.
- Box quantity: According to your request.
- Assembling of: Bolts and nuts.

Part. 201 Support base (bipod at 120°)



Max protrusion advised



Df Bore for tubes of		Df1 Bore for tubes of		Zinc plated steel bolts and nuts	Stainless steel AISI 304 bolts and nuts	Tube unthreading load	Max static load allowed
(mm)	(Inches)	(mm)	(Inches)	Code	Code	(N)	(N)
60,3	2" GAS	48,3	1" 1/2 GAS	201 / 80612	201 / 80613	9600	15800
60,3	2" GAS	42,4	1" 1/4 GAS	201 / 80614	201 / 80615		
50,8	2" IMPERIAL	48,3	1" 1/2 GAS	201 / 83200	201 / 83201		
50,8	2" IMPERIAL	42,4	1" 1/4 GAS	201 / 83202	201 / 83203		
48,3	1" 1/2 GAS	48,3	1" 1/2 GAS	201 / 80616	201 / 80617		
48,3	1" 1/2 GAS	42,4	1" 1/4 GAS	201 / 80618	201 / 80619		
42,4	1" 1/4 GAS	42,4	1" 1/4 GAS	201 / 80620	201 / 80621		

MATERIALS: Base made of reinforced polyamide black colour; threaded bushing made of nickel plated brass; fixing bolts and nuts made of stainless steel AISI 304 or zinc plated steel.

FEATURES: Max tightening torque 3,6 Kg-m.

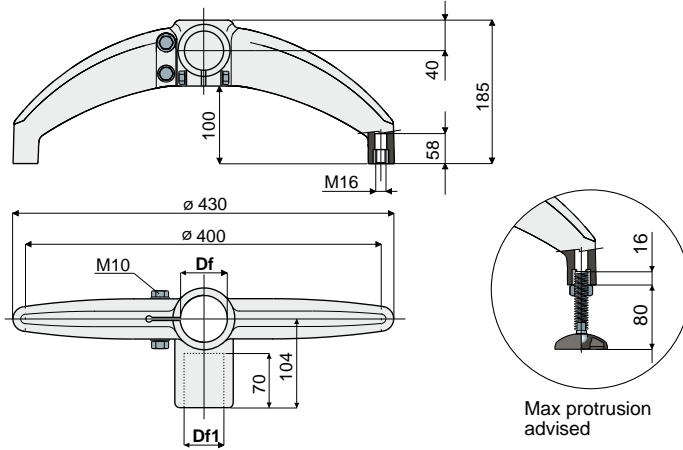
BOX QUANTITY: 8 pieces.

ON REQUEST:

- Bases: In reinforced polypropylene, other colours.
- Box quantity: According to your request.
- Assembling of: Bolts and nuts.

Imperial inch dimensions conform to the British Imperial system; GAS inch dimensions comply with ANSI B36.10

Bases



Support base
(bipod at 180°)

Part. **202**



Df	Df1	Zinc plated steel bolts and nuts	Stainless steel AISI 304 bolts and nuts	Tube unthreading load (N)	Max static load allowed (N)
Bore for tubes of (mm)	Bore for tubes of (Inches)	Code	Code		
60,3	2" GAS	202 / 80622	202 / 80623		
60,3	2" GAS	202 / 80624	202 / 80625		
50,8	2" IMPERIAL	202 / 83204	202 / 83205		
50,8	2" IMPERIAL	202 / 83206	202 / 83207	9600	15800
48,3	1" 1/2 GAS	202 / 80626	202 / 80627		
48,3	1" 1/2 GAS	202 / 80628	202 / 80629		
42,4	1" 1/4 GAS	202 / 80630	202 / 80631		

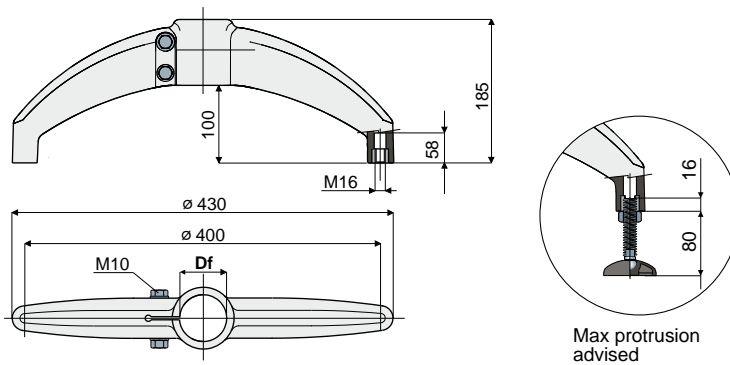
MATERIALS: Base made of reinforced polyamide black colour; threaded bushing made of nickel plated brass; fixing bolts and nuts made of stainless steel AISI 304 or zinc plated steel.

FEATURES: Max tightening torque 3,6 Kg·m.

BOX QUANTITY: 8 pieces.

ON REQUEST:

- Bases: In reinforced polypropylene, other colours.
- Box quantity: According to your request.
- Assembling of: Bolts and nuts.



Support base
(bipod at 180°)

Part. **203**



Df	Zinc plated steel bolts and nuts	Stainless steel AISI 304 bolts and nuts	Tube unthreading load (N)	Max static load allowed (N)
Bore for tubes of (mm)	Code	Code		
60,3	203 / 80632	203 / 80633		
50,8	203 / 82998	203 / 82999		
48,3	203 / 80634	203 / 80635	9600	15800
42,4	203 / 80636	203 / 80637		

MATERIALS: Base made of reinforced polyamide black colour; threaded bushing made of nickel plated brass; fixing bolts and nuts made of stainless steel AISI 304 or zinc plated steel.

FEATURES: Max tightening torque 3,6 Kg·m.

BOX QUANTITY: 8 pieces.

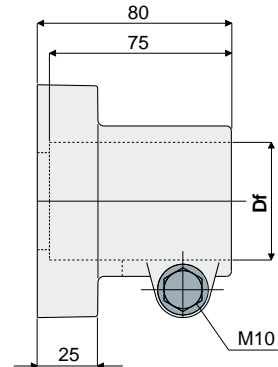
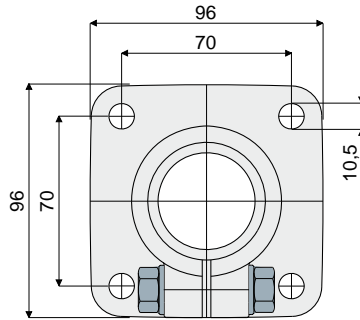
ON REQUEST:

- Bases: In reinforced polypropylene, other colours.
- Box quantity: According to your request.
- Assembling of: Bolts and nuts.

Imperial inch dimensions conform to the British Imperial system; GAS inch dimensions comply with ANSI B36.10

Bearing heads

Part. 212 Bearing head



Df	Zinc plated steel bolts and nuts	Stainless steel AISI 304 bolts and nuts
Bore for tubes of	Code	Code
(mm)	(Inches)	
48,3	1" 1/2 GAS	212 / 80650
50,8	2" IMPERIAL	212 / 83208

MATERIALS: Bearing head made of reinforced polyamide black colour; bolts and nuts made of stainless steel AISI 304 or zinc plated steel.

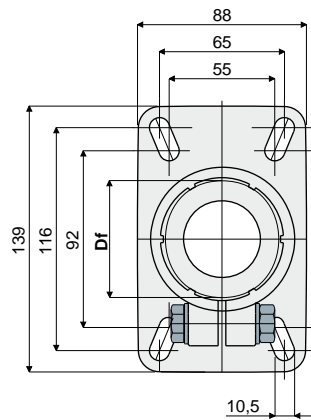
FEATURES: Max tightening torque 3,6 Kg-m.

BOX QUANTITY: 8 pieces.

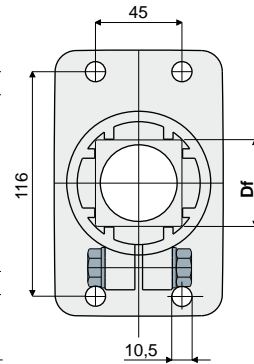
ON REQUEST:

- Bearing heads: In reinforced polypropylene, other colours.
- Box quantity: According to your request.
- Assembling of: Bolts and nuts.

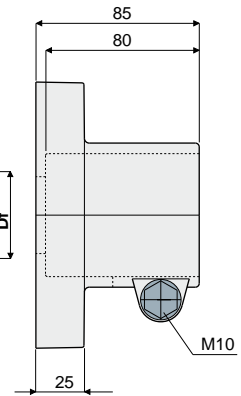
Part. 208 Bearing head



For round tubes



For square tubes



Df	Zinc plated steel bolts and nuts	Stainless steel AISI 304 bolts and nuts
Bore for tubes of	Code	Code
(mm)	(Inches)	
60,3	2" GAS	208 / 80764
50,8	2" IMPERIAL	208 / 82072
48,3	1" 1/2 GAS	208 / 80766
42,4	1" 1/4 GAS	208 / 80768
40x40	square tube	208 / 85110
45x45	square tube	208 / 80770

MATERIALS: Bearing head made of reinforced polyamide black colour; bolts and nuts made of stainless steel AISI 304 or zinc plated steel.

FEATURES: Max tightening torque 3,6 Kg-m.

BOX QUANTITY: 8 pieces.

ON REQUEST:

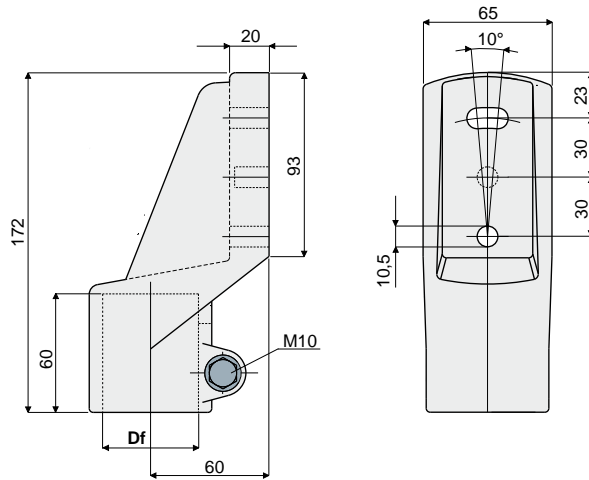
- Bearing heads: In reinforced polypropylene, other colours.
- Box quantity: According to your request.
- Assembling of: Bolts and nuts.

Imperial inch dimensions conform to the British Imperial system; GAS inch dimensions comply with ANSI B36.10

Bearing heads

Side mounting top bracket

Part. **211**



Df Bore for tubes of		Zinc plated steel bolts and nuts	Stainless steel AISI 304 bolts and nuts
(mm)	(Inches)	Code	Code
48,3	1" 1/2 GAS	211 / 80648	211 / 80649

MATERIALS: Top bracket made out of reinforced polyamide black colour; bolts and nuts made out of stainless steel AISI 304 or zinc plated steel.

FEATURES: Max tightening torque 3,6 Kg·m.

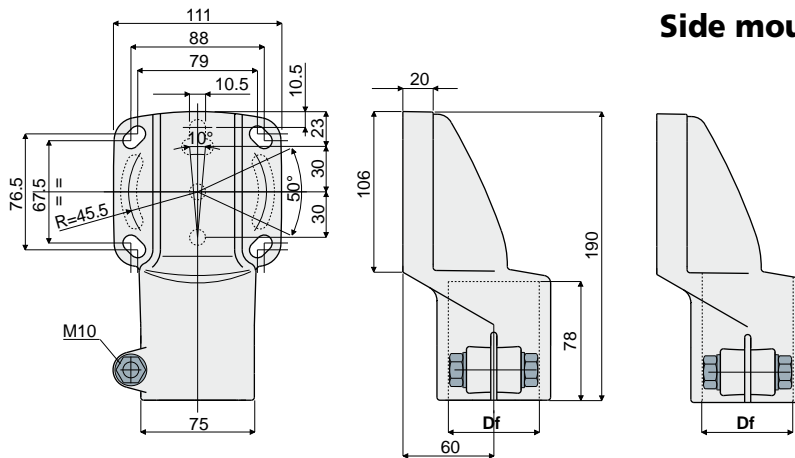
BOX QUANTITY: 8 pieces.

ON REQUEST:

- Top brackets: In reinforced polypropylene, other colours.
- Box quantity: According to your request.
- Assembling of: Bolts and nuts.

Side mounting top bracket

Part. **207**



Df Bore for tubes of		Zinc plated steel bolts and nuts	Stainless steel AISI 304 bolts and nuts
(mm)	(Inches)	Code	Code
60,3	2" GAS	207 / 80790	207 / 80791
50,8	2" IMPERIAL	207 / 83210	207 / 83211
48,3	1" 1/2 GAS	207 / 80792	207 / 80793
42,4	1" 1/4 GAS	207 / 80794	207 / 80795
40x40	square tube	207 / 85112	207 / 85113
45x45	square tube	207 / 80796	207 / 80797
48,3	through hole	207 / 82632	207 / 82633

MATERIALS: Top bracket made of reinforced polyamide black colour; bolts and nuts made of stainless steel AISI 304 or zinc plated steel.

FEATURES: Max tightening torque 3,6 Kg·m.

BOX QUANTITY: 8 pieces.

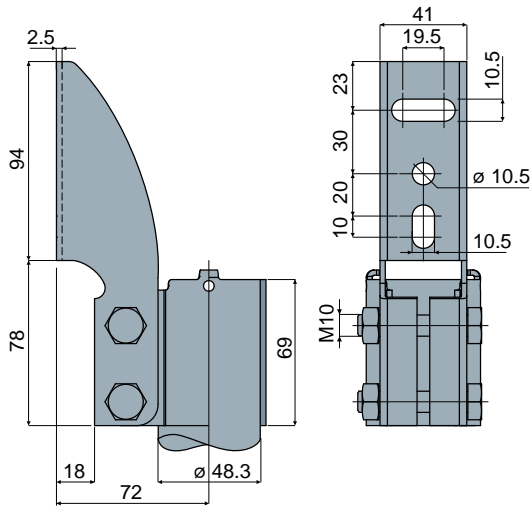
ON REQUEST:

- Top brackets: In reinforced polypropylene, other colours.
- Box quantity: According to your request.
- Assembling of: Bolts and nuts.

Imperial inch dimensions conform to the British Imperial system; GAS inch dimensions comply with ANSI B36.10

Bearing heads

Part. 409 Side mounting top bracket



Code
409 / 84440

MATERIALS: Top bracket bolts and nuts made of stainless steel AISI 304.

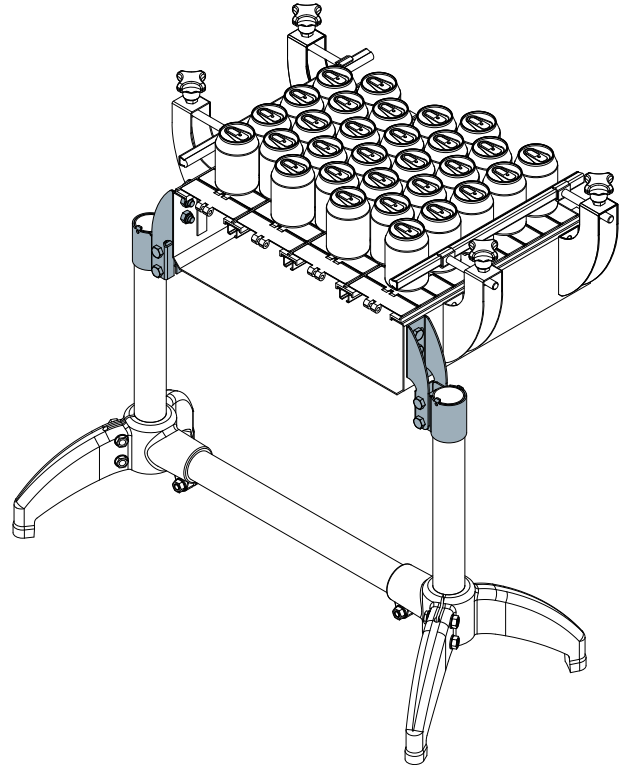
FEATURES: Supplied complete with bolts and nuts.

BOX QUANTITY: 8 pieces.

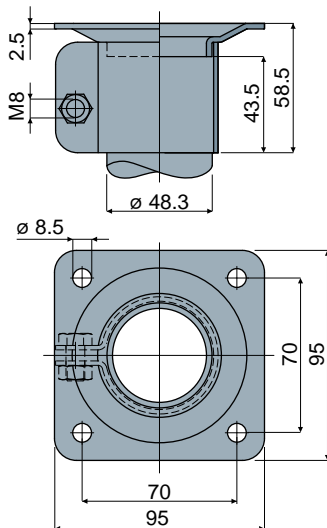
ON REQUEST:

- Box quantity: According to your request.
- Assembly of: Bolts and nuts.

Example of application



Part. 402 Bearing head



Code
402 / 84324

MATERIALS: Bearing head bolts and nuts made of stainless steel AISI 304.

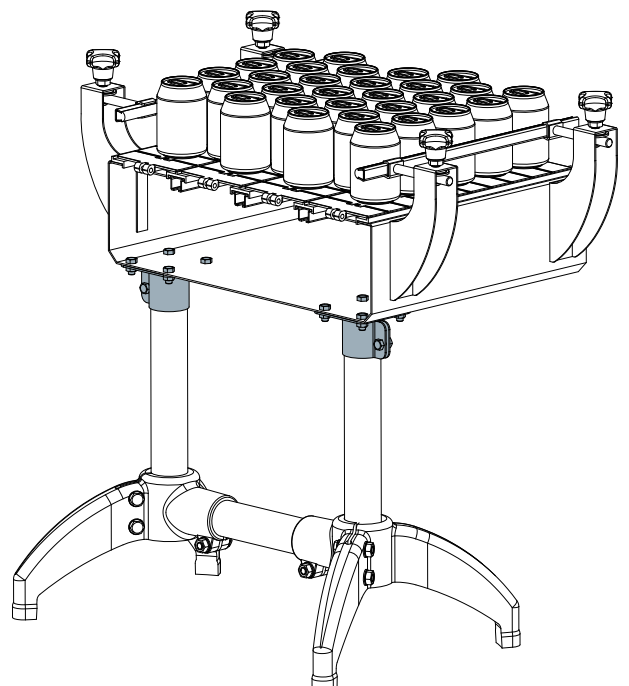
FEATURES: Supplied complete with bolts and nuts.

BOX QUANTITY: 8 pieces.

ON REQUEST:

- Box quantity: According to your request.
- Assembly of: Bolts and nuts.

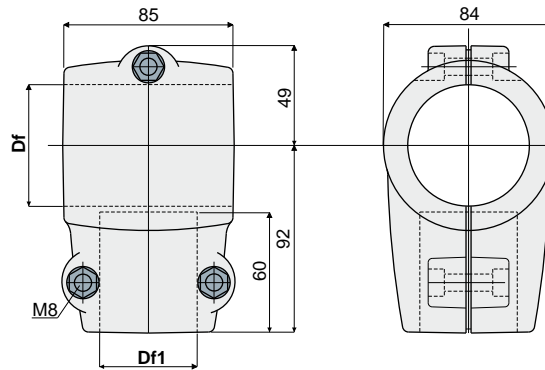
Example of application



Connecting joints

Connection joint for round tubes

Part. **210**



Df		Df1		Zinc plated steel bolts and nuts	Stainless steel AISI 304 bolts and nuts
Bore for tubes of (mm)	(Inches)	Bore for tubes of (mm)	(Inches)	Code	Code
60,3	2" GAS	48,3	1" 1/2 GAS	210 / 80638	210 / 80639
60,3	2" GAS	42,4	1" 1/4 GAS	210 / 80640	210 / 80641
48,3	1" 1/2 GAS	48,3	1" 1/2 GAS	210 / 80642	210 / 80643
48,3	1" 1/2 GAS	42,4	1" 1/4 GAS	210 / 80644	210 / 80645
42,4	1" 1/4 GAS	42,4	1" 1/4 GAS	210 / 80646	210 / 80647

MATERIALS: Joint made of reinforced polyamide black colour; bolts and nuts made of stainless steel AISI 304 or zinc plated steel.

FEATURES: Max tightening torque 2 Kg·m.

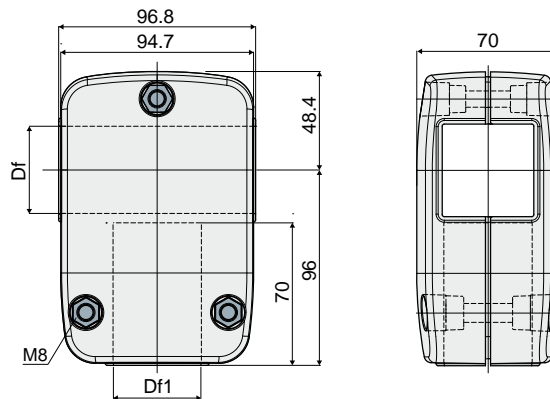
BOX QUANTITY: 8 pieces.

ON REQUEST:

- Joints: In reinforced polypropylene, other colours.
- **Box quantity:** According to your request.
- **Assembling of:** Bolts and nuts.

Connection joint for square tubes

Part. **210**



Df	Df1	Zinc plated steel bolts and nuts	Stainless steel AISI 304 bolts and nuts
Bore for tubes of (mm)	Bore for tubes of (mm)	Code	Code
40x40	40x40	210 / 85114	210 / 85115
45x45	45x45	210 / 84132	210 / 84133

MATERIALS: Joint made of reinforced polyamide black colour; bolts and nuts made of stainless steel AISI 304 or zinc plated steel.

FEATURES: Max tightening torque 2 Kg·m.

BOX QUANTITY: 8 pieces.

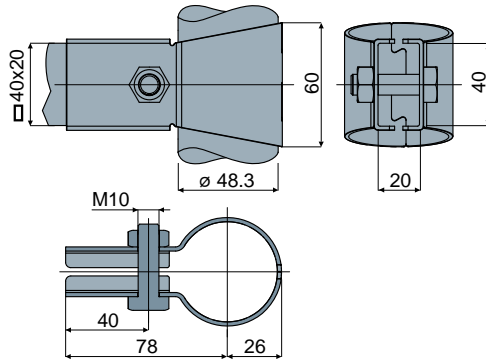
ON REQUEST:

- Joints: In reinforced polypropylene, other colours.
- **Box quantity:** According to your request.
- **Assembling of:** Bolts and nuts.

Imperial inch dimensions conform to the British Imperial system; GAS inch dimensions comply with ANSI B36.10

Connecting joints

Part. 403 Connection joint



Code
403 / 84325

MATERIALS: Joint, screw and nut made of stainless steel AISI 304.

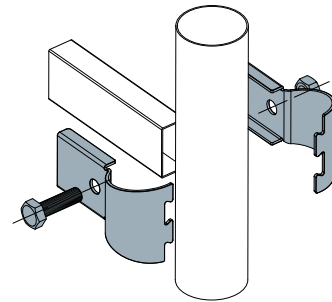
FEATURES: Supplied complete with bolts and nuts.

BOX QUANTITY: 8 pieces.

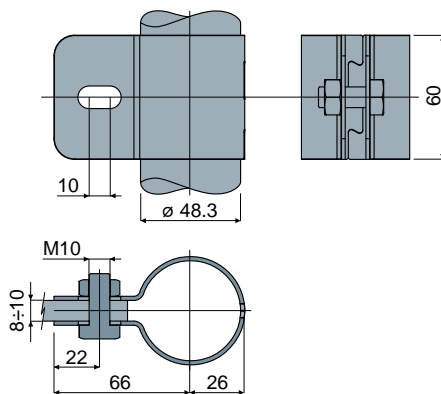
ON REQUEST:

- Box quantity: According to your request.
- Assembly of: Bolts and nuts.

Example of application



Part. 404 Connection joint



Code
404 / 84326

MATERIALS: Joint, screw and nut made of stainless steel AISI 304.

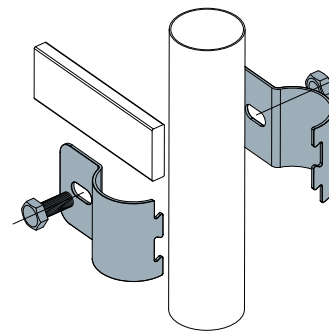
FEATURES: Supplied complete with bolts and nuts.

BOX QUANTITY: 8 pieces.

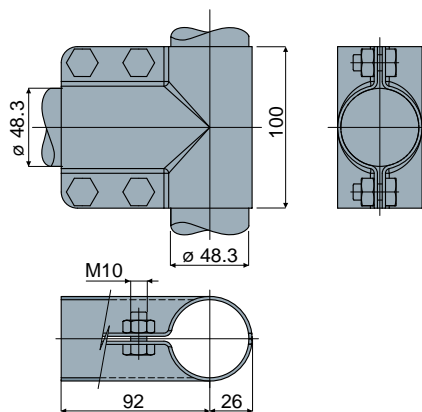
ON REQUEST:

- Box quantity: According to your request.
- Assembly of: Bolts and nuts.

Example of application



Part. 401 Connection joint



Code
401 / 84323

MATERIALS: Joint, screws and nuts made of stainless steel AISI 304.

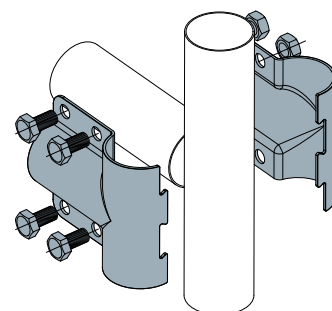
FEATURES: Supplied complete with bolts and nuts.

BOX QUANTITY: 8 pieces.

ON REQUEST:

- Box quantity: According to your request.
- Assembly of: Bolts and nuts.

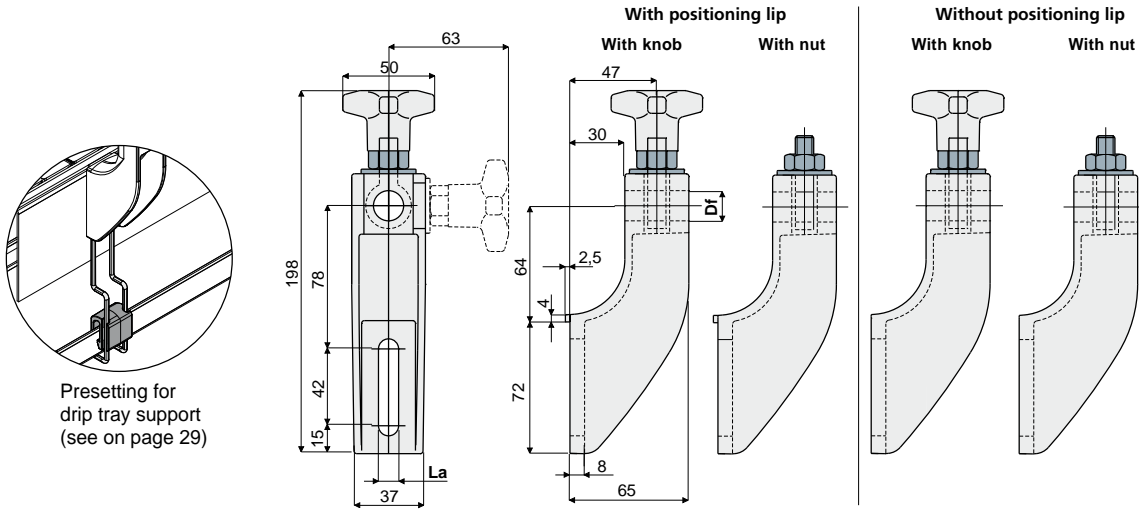
Example of application



Guide rail brackets

Guide rail bracket

Part. 213



Presetting for drip tray support (see on page 29)

With positioning lip					Without positioning lip				
Df Bore for pin of (mm)	La (9 mm slot)		La (11 mm slot)		Df Bore for pin of (mm)	La (9 mm slot)		La (11 mm slot)	
	With knob Code	With nut Code	With knob Code	With nut Code		With knob Code	With nut Code	With knob Code	With nut Code
12	213 / 81176	213 / 82105	213 / 80652	213 / 80653	12	213 / 86173	213 / 88826	213 / 88829	213 / 88832
14	213 / 82102	213 / 82107	213 / 80654	213 / 80655	14	213 / 88819	213 / 88827	213 / 88830	213 / 88833
16	213 / 82104	213 / 82109	213 / 80656	213 / 80657	16	213 / 88825	213 / 88828	213 / 88831	213 / 88834

MATERIALS: Bracket and knob made of reinforced polyamide black colour; hexagonal insert made of nickel plated brass; eyebolt, nut and washer made of stainless steel AISI 304.

FEATURES: Max tightening torque 4 Kg·m.

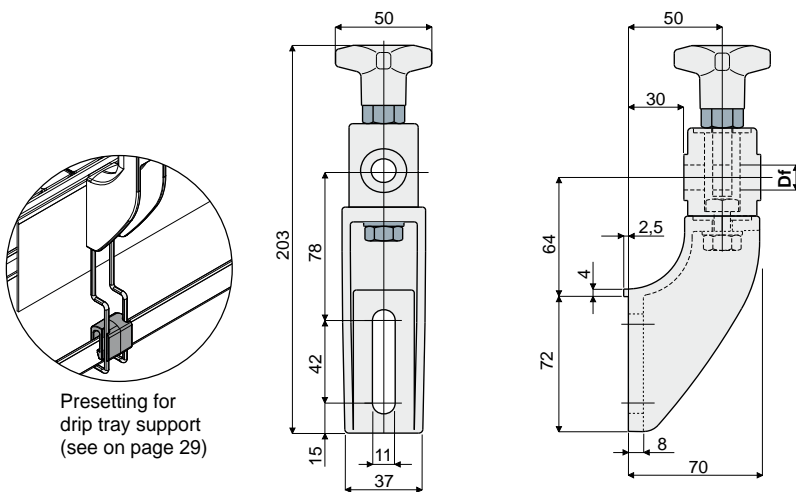
BOX QUANTITY: 24 pieces.

ON REQUEST:

- Brackets: In reinforced polypropylene, other colours.
- Box quantity: According to your request.

Guide rail bracket (with adjustable head)

Part. 214



Presetting for drip tray support (see on page 29)

Df Bore for pin of (mm)	Code
12	214 / 80755
14	214 / 80756
16	214 / 80757

MATERIALS: Bracket and knob made of reinforced polyamide black colour; hexagonal insert made of nickel plated brass; eyebolt, screw, nut and washers made of stainless steel AISI 304.

FEATURES: Max tightening torque 4 Kg·m.

BOX QUANTITY: 24 pieces.

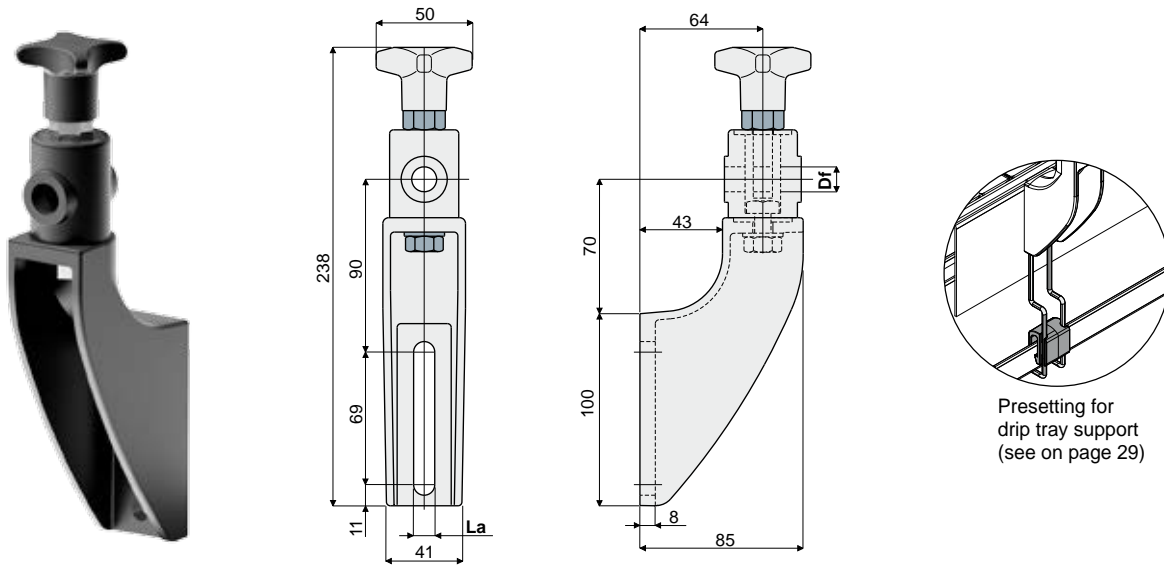
ON REQUEST:

- Brackets: In reinforced polypropylene, other colours.
- Box quantity: According to your request.

Guide rail brackets

Part. 215

Guide rail bracket (with adjustable head)



Df Bore for pin of (mm)	La (9 mm slot) Code	La (11 mm slot) Code
12	215 / 82106	215 / 80658
14	215 / 82108	215 / 80659
16	215 / 82110	215 / 80660

MATERIALS: Bracket and knob made of reinforced polyamide black colour; hexagonal insert made of nickel plated brass; eyebolt, screw, nut and washers made of stainless steel AISI 304.

FEATURES: Max tightening torque 4 Kg-m.

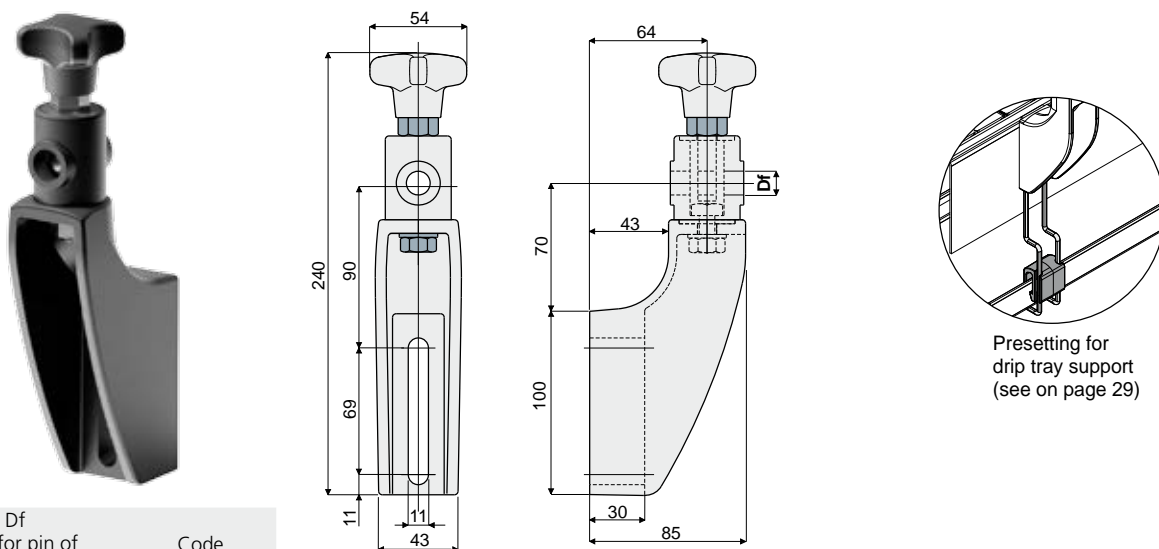
BOX QUANTITY: 24 pieces.

ON REQUEST:

- Brackets: In reinforced polypropylene, other colours.
- Box quantity: According to your request.

Part. 243

Guide rail bracket (reinforced type with adjustable head)



Df Bore for pin of (mm)	Code
12	243 / 81003
14	243 / 81004
16	243 / 81005

MATERIALS: Bracket and knob made of reinforced polyamide black colour; hexagonal insert made of nickel plated brass; eyebolt, screw, nut and washers made of stainless steel AISI 304.

FEATURES: To be used for heavy applications, suitable in conveyors with more ways, both in accumulation and curve. Max tightening torque 4 Kg-m.

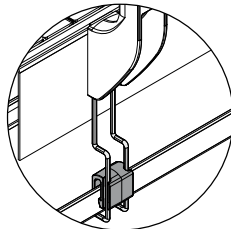
BOX QUANTITY: 24 pieces.

ON REQUEST:

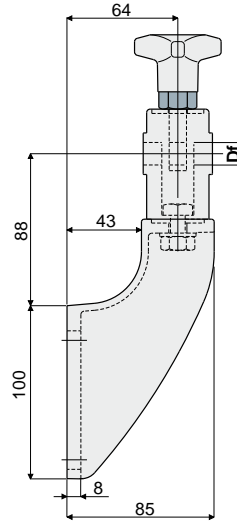
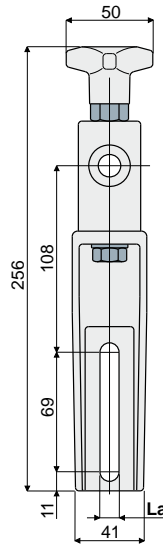
- Brackets: In reinforced polypropylene, other colours.
- Box quantity: According to your request.

Guide rail brackets

Guide rail bracket (with adjustable high type head) Part. 280



Presetting for drip tray support (see on page 29)



Df Bore for pin of (mm)	La (9 mm slot) Code	La (11 mm slot) Code
12	280 / 82150	280 / 82127
14	280 / 82151	280 / 82128
16	280 / 82152	280 / 82129

MATERIALS: Bracket and knob made of reinforced polyamide black colour; hexagonal insert made of nickel plated brass; eyebolt, screw, nut and washers made of stainless steel AISI 304.

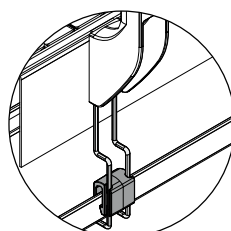
FEATURES: Max tightening torque 4 Kg·m.

BOX QUANTITY: 24 pieces.

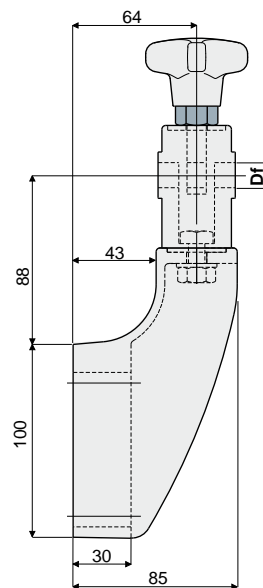
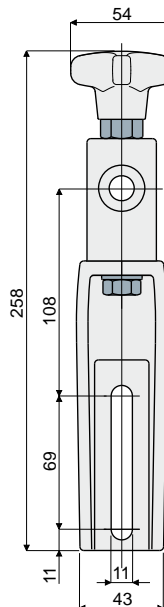
ON REQUEST:

- **Brackets:** In reinforced polypropylene, other colours.
- **Box quantity:** According to your request.

Guide rail bracket (reinforced type with adjustable high type head) Part. 281



Presetting for drip tray support (see on page 29)



Df Bore for pin of (mm)	Code
12	281 / 82130
14	281 / 82131
16	281 / 82132

MATERIALS: Bracket and knob made of reinforced polyamide black colour; hexagonal insert made of nickel plated brass; eyebolt, screw, nut and washers made of stainless steel AISI 304.

FEATURES: To be used for heavy applications, suitable in conveyors with more ways, both in accumulation and curve. Max tightening torque 4 Kg·m.

BOX QUANTITY: 24 pieces.

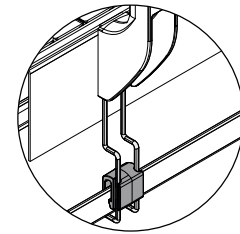
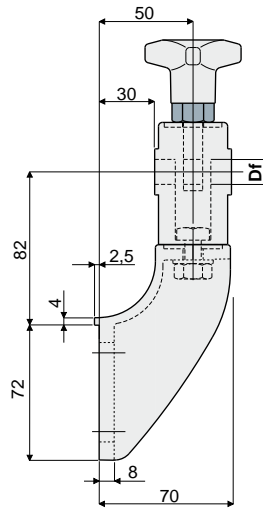
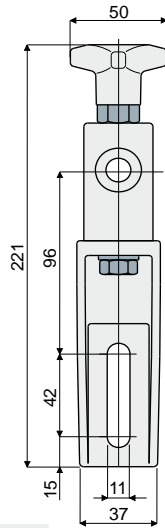
ON REQUEST:

- **Brackets:** In reinforced polypropylene, other colours.
- **Box quantity:** According to your request.

Guide rail brackets

Guide rail bracket (with adjustable head)

Part. **279**



Presetting for drip tray support (see on page 29)

Df Bore for pin of (mm)	Code
12	279 / 82124
14	279 / 82125
16	279 / 82126

MATERIALS: Bracket and knob made of reinforced polyamide black colour; hexagonal insert made of nickel plated brass; eyebolt, screw, nut and washer made of stainless steel AISI 304.

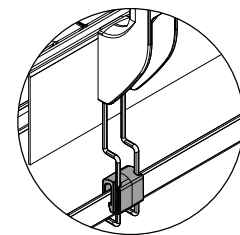
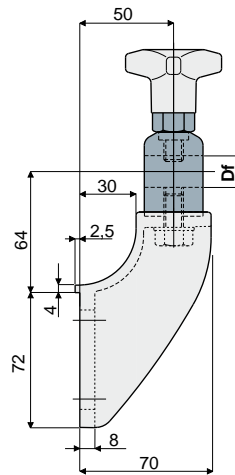
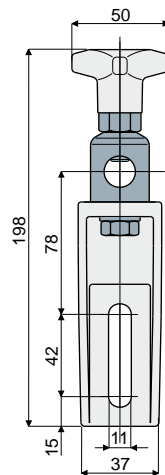
FEATURES: Max tightening torque 4 Kg-m.

BOX QUANTITY: 24 pieces.

ON REQUEST:

- Brackets: In reinforced polypropylene, other colours.
- Box quantity: According to your request.

Part. **216** Guide rail bracket (with metal adjustable head)



Presetting for drip tray support (see on page 29)

Df Bore for pin of (mm)	Code
14 - 16	216 / 80759

MATERIALS: Bracket and knob made out of reinforced polyamide black colour; head made out of stainless steel AISI 304; hexagonal insert made out of nickel plated brass; screw and washer made out of stainless steel AISI 304.

FEATURES: Possibility to use pins with diameter 14 and 16 mm. Max tightening torque 4 Kg-m.

BOX QUANTITY: 24 pieces.

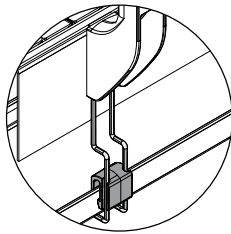
ON REQUEST:

- Brackets: In reinforced polypropylene, other colours.
- Box quantity: According to your request.

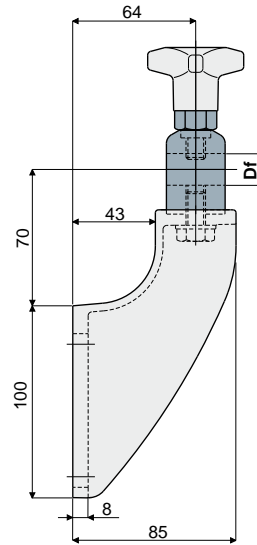
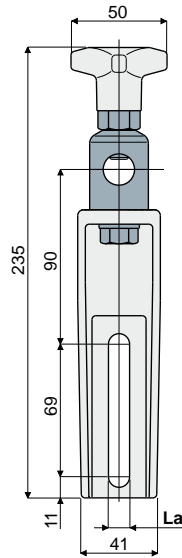
Guide rail brackets

Guide rail bracket (with metal adjustable head)

Part. **218**



Presetting for drip tray support (see on page 29)



La (9 mm slot)		La (11 mm slot)	
Df	Code	Df	Code
Bore for pin of (mm)		Bore for pin of (mm)	
14 - 16	218 / 82113	14 - 16	218 / 80663

MATERIALS: Bracket and knob made out of reinforced polyamide black colour; head made out of stainless steel AISI 304; hexagonal insert made out of nickel plated brass; screw and washer made out of stainless steel AISI 304.

FEATURES: Possibility to use pins with diameter 14 and 16 mm. Max tightening torque 4 Kg-m.

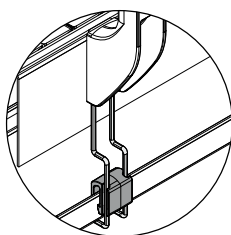
BOX QUANTITY: 24 pieces.

ON REQUEST:

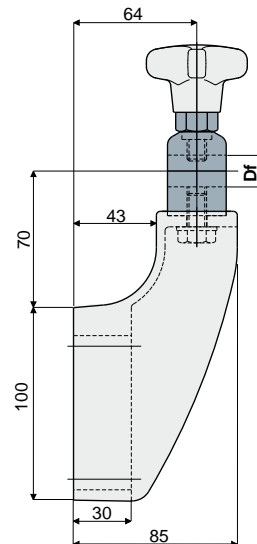
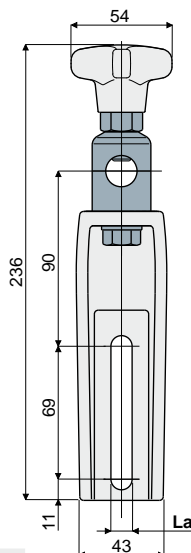
- **Brackets:** In reinforced polypropylene, other colours.
- **Box quantity:** According to your request.

Guide rail bracket (reinforced type with metal adjustable head)

Part. **244**



Presetting for drip tray support (see on page 29)



La (9 mm slot)		La (11 mm slot)	
Df	Code	Df	Code
Bore for pin of (mm)		Bore for pin of (mm)	
14 - 16	244 / 87159	14 - 16	244 / 81007

MATERIALS: Bracket and knob made out of reinforced polyamide black colour; head made out of stainless steel AISI 304; hexagonal insert made out of nickel plated brass; screw and washer made out of stainless steel AISI 304.

FEATURES: To be used for heavy applications, suitable in conveyors with more ways, both in accumulation and curve. Possibility to use pins with diameter 14 and 16 mm. Max tightening torque 4 Kg-m.

BOX QUANTITY: 24 pieces.

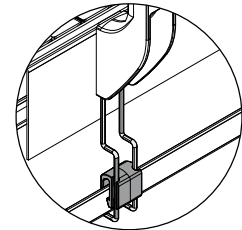
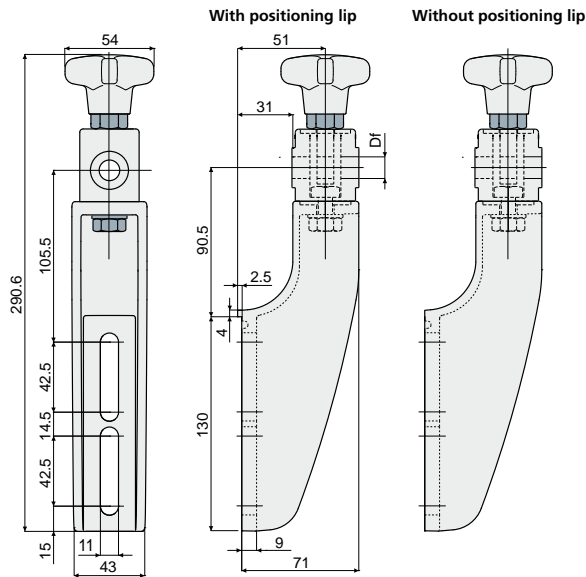
ON REQUEST:

- **Brackets:** In reinforced polypropylene, other colours.
- **Box quantity:** According to your request.

Guide rail brackets

Guide rail bracket (reinforced type with adjustable head)

Part. **488**



Presetting for drip tray support (see on page 29)

Df Bore for pin of (mm)	With positioning lip Code	Without positioning lip Code
12	488 / 86193	488 / 86194
14	488 / 86195	488 / 86196
16	488 / 86197	488 / 86198

MATERIALS: Bracket and knob made of reinforced polyamide black colour; hexagonal insert made of nickel plated brass; eyebolt, screw, nut and washers made of stainless steel AISI 304.

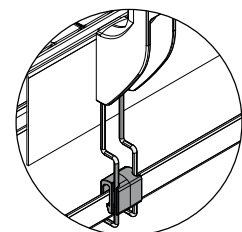
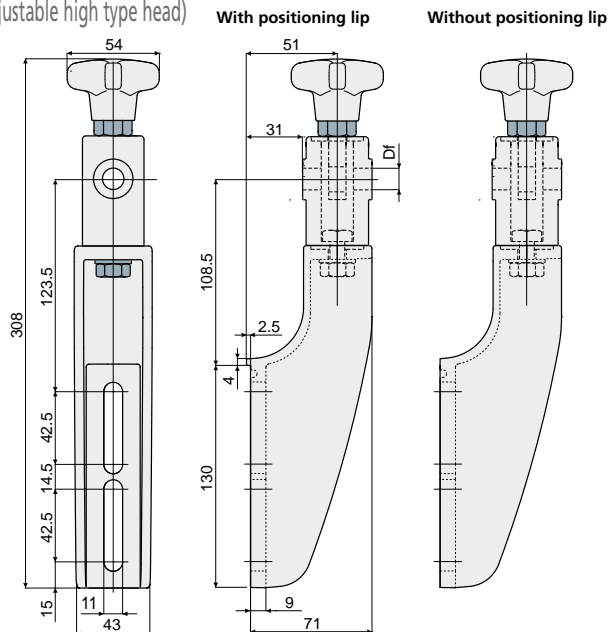
FEATURES: Max tightening torque 4 Kg-m.

BOX QUANTITY: 24 pieces.

ON REQUEST:

- Brackets: In reinforced polypropylene, other colours.
- Box quantity: According to your request.

Part. **489** Guide rail bracket (reinforced type with adjustable high type head)



Presetting for drip tray support (see on page 29)

Df Bore for pin of (mm)	With positioning lip Code	Without positioning lip Code
12	489 / 86199	489 / 87000
14	489 / 87001	489 / 87002
16	489 / 87003	489 / 87004

MATERIALS: Bracket and knob made of reinforced polyamide black colour; hexagonal insert made of nickel plated brass; eyebolt, screw, nut and washers made of stainless steel AISI 304.

FEATURES: Max tightening torque 4 Kg-m.

BOX QUANTITY: 24 pieces.

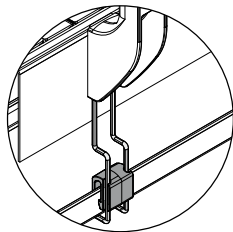
ON REQUEST:

- Brackets: In reinforced polypropylene, other colours.
- Box quantity: According to your request.

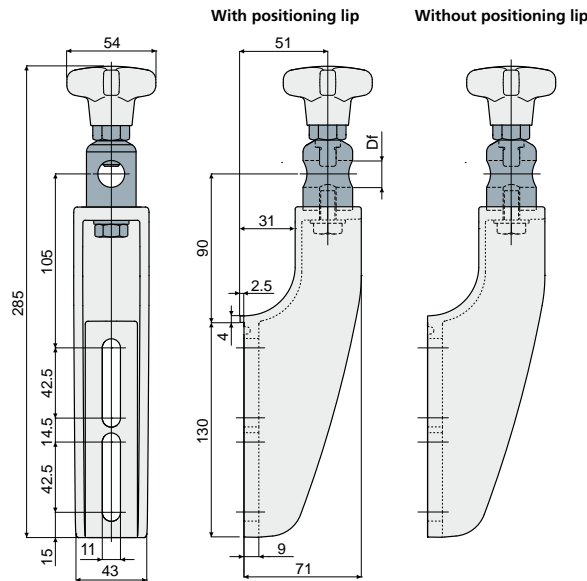
Guide rail brackets

Guide rail bracket (reinforced type with metal adjustable head)

Part. **490**



Presetting for drip tray support (see on page 29)



Df Bore for pin of (mm)	With positioning lip Code	Without positioning lip Code
16	490 / 87005	490 / 87006

MATERIALS: Bracket and knob made of reinforced polyamide black colour; head made out of stainless steel AISI 304; hexagonal insert made of nickel plated brass; eyebolt and washer made of stainless steel AISI 304.

FEATURES: Max tightening torque 4 Kg-m.

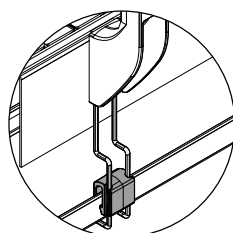
BOX QUANTITY: 24 pieces.

ON REQUEST:

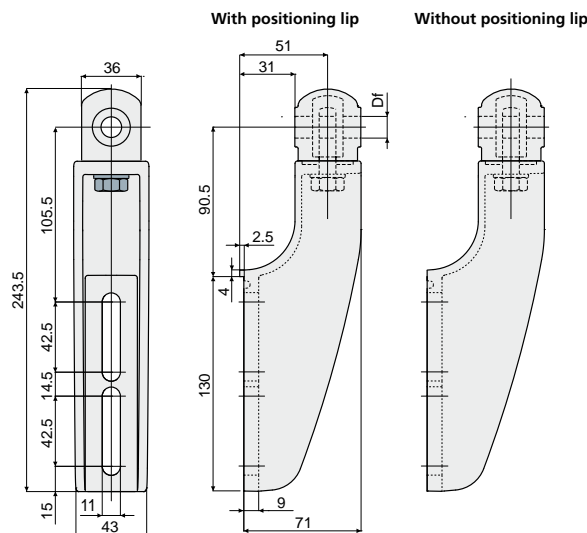
- **Brackets:** In reinforced polypropylene, other colours.
- **Box quantity:** According to your request.

Guide rail bracket (reinforced type with adjustable head)

Part. **491**



Presetting for drip tray support (see on page 29)



Df Bore for pin of (mm)	With positioning lip Code	Without positioning lip Code
12	491 / 87007	491 / 87008
14	491 / 87009	491 / 87010
16	491 / 87011	491 / 87012

MATERIALS: Bracket and knob made of reinforced polyamide black colour; eyebolt, nut and washer made of stainless steel AISI 304.

FEATURES: Max tightening torque 4 Kg-m.

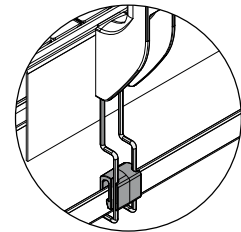
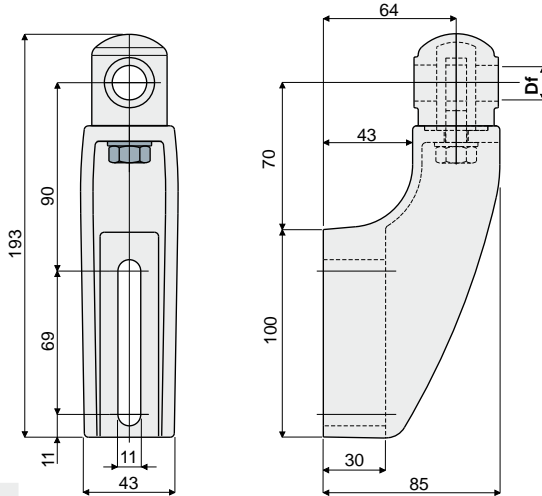
BOX QUANTITY: 24 pieces.

ON REQUEST:

- **Brackets:** In reinforced polypropylene, other colours.
- **Box quantity:** According to your request.

Guide rail brackets

Part. 255 Guide rail bracket (reinforced type with adjustable head)



Presetting for drip tray support (see on page 29)

Df Bore for pin of (mm)	Code
12	255 / 81008
14	255 / 81009
16	255 / 81010

MATERIALS: Bracket and head made of reinforced polyamide black colour; eyebolt, nut and washer made of stainless steel AISI 304.

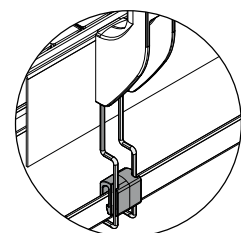
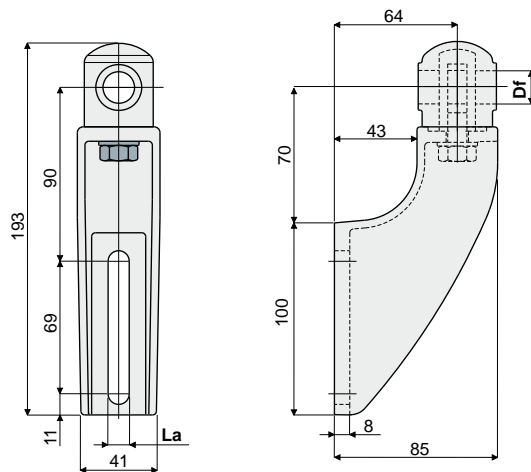
FEATURES: To be used for heavy applications, suitable in conveyors with more ways, both in accumulation and curve. Max tightening torque 4 Kg·m.

BOX QUANTITY: 24 pieces.

ON REQUEST:

- Brackets: In reinforced polypropylene, other colours.
- Box quantity: According to your request.

Part. 219 Guide rail bracket (with adjustable head)



Presetting for drip tray support (see on page 29)

Df Bore for pin of (mm)	La (9 mm slot) Code	La (11 mm slot) Code
12	219 / 82114	219 / 80664
14	219 / 82115	219 / 80665
16	219 / 82116	219 / 80666

MATERIALS: Bracket and head made of reinforced polyamide black colour; eyebolt, nut and washer made of stainless steel AISI 304.

FEATURES: Max tightening torque 4 Kg·m.

BOX QUANTITY: 24 pieces.

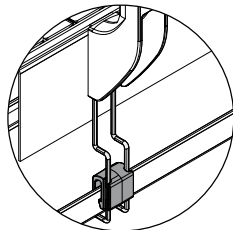
ON REQUEST:

- Brackets: In reinforced polypropylene, other colours.
- Box quantity: According to your request.

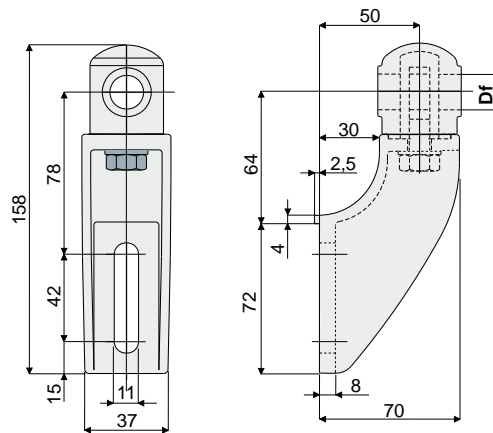
Guide rail brackets

Guide rail bracket (with adjustable head)

Part. **217**



Presetting for
drip tray support
(see on page 29)



Df Bore for pin of (mm)	Code
12	217 / 80760
14	217 / 80761
16	217 / 80762

MATERIALS: Bracket and head made of reinforced polyamide black colour; eyebolt, nut and washer made of stainless steel AISI 304.

FEATURES: Max tightening torque 4 Kg·m.

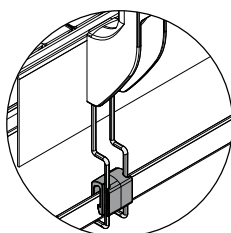
BOX QUANTITY: 24 pieces.

ON REQUEST:

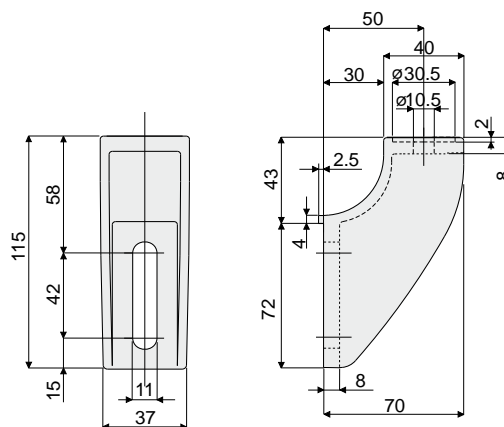
- **Brackets:** In reinforced polypropylene, other colours.
- **Box quantity:** According to your request.

Guide rail bracket (for adjustable heads)

Part. **209**



Presetting for
drip tray support
(see on page 29)



Code
209 / 80754

MATERIALS: Bracket made out of reinforced polyamide black colour.

FEATURES: To be used with heads Part.221, 222, 223 and 266.

BOX QUANTITY: 24 pieces.

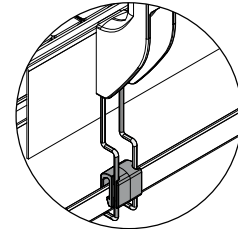
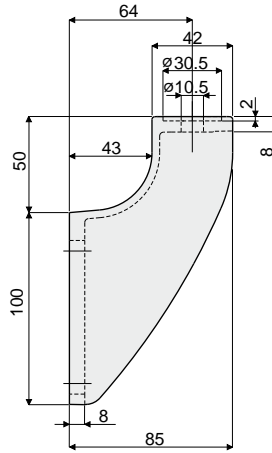
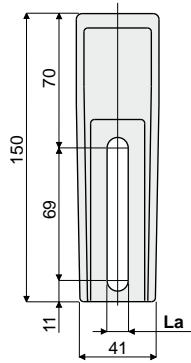
ON REQUEST:

- **Brackets:** In reinforced polypropylene, other colours.
- **Box quantity:** According to your request.

Guide rail brackets

Part. 220

Guide rail bracket (for adjustable heads)



Presetting for
drip tray support
(see on page 29)

La (9 mm slot)	La (11 mm slot)
Code	Code
220 / 82111	220 / 80667

MATERIALS: Bracket made out of reinforced polyamide black colour.

FEATURES: To be used with heads Part.221, 222, 223 and 266.

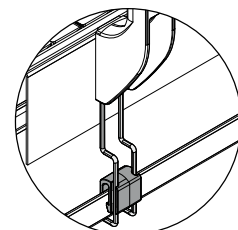
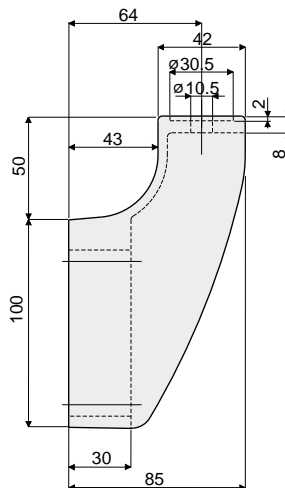
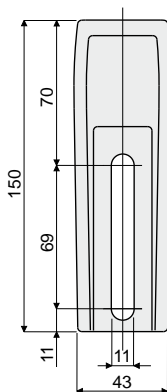
BOX QUANTITY: 24 pieces.

ON REQUEST:

- Brackets: In reinforced polypropylene, other colours.
- Box quantity: According to your request.

Part. 242

Guide rail bracket (reinforced type for adjustable head)



Presetting for
drip tray support
(see on page 29)

Code
242 / 81002

MATERIALS: Bracket made of reinforced polyamide black colour.

FEATURES: To be used with heads Part.221, 222, 223 and 266 for heavy applications.

Suitable in conveyors with more ways, both in accumulation and curve.

BOX QUANTITY: 24 pieces.

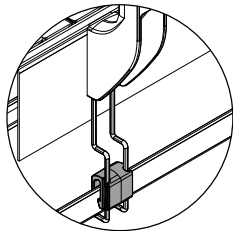
ON REQUEST:

- Brackets: In reinforced polypropylene, other colours.
- Box quantity: According to your request.

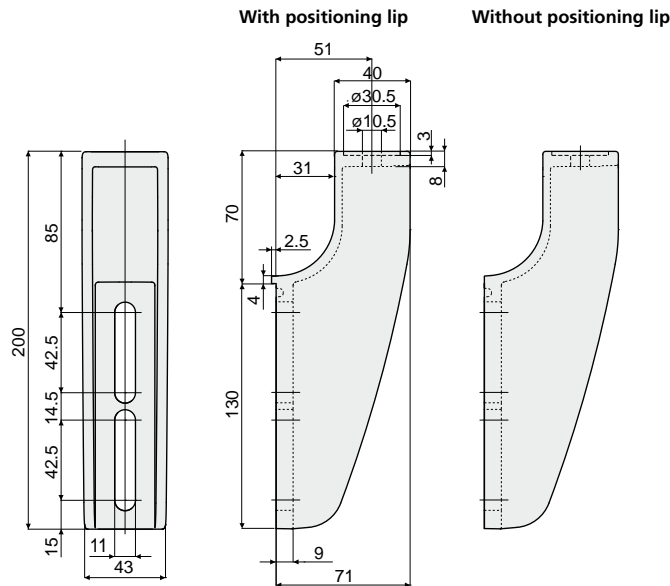
Guide rail brackets

Guide rail bracket (reinforced type for adjustable heads)

Part. **486**



Presetting for drip tray support (see on page 29)



With positioning lip	Without positioning lip
Code	Code
486 / 86189	486 / 86190

MATERIALS: Bracket made out of reinforced polyamide black colour.

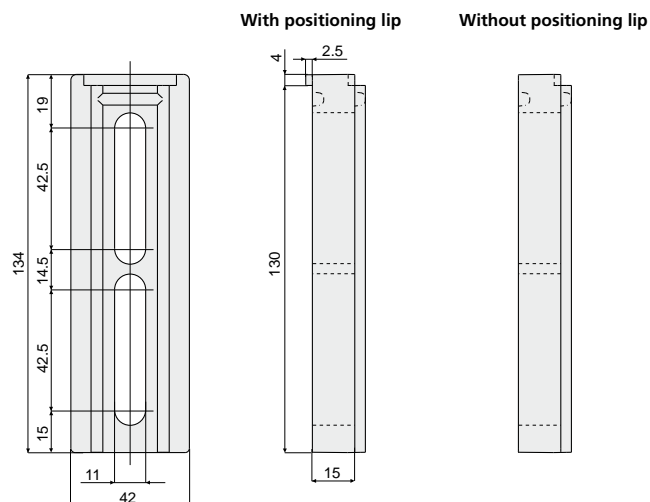
FEATURES: To be used with heads Part.221, 222, 223 and 266.

BOX QUANTITY: 24 pieces.

ON REQUEST:

- Brackets: In reinforced polypropylene, other colours.
- Box quantity: According to your request.

Spacer for bracket Part. **487**



With positioning lip	Without positioning lip
Code	Code
487 / 86191	487 / 86192

MATERIALS: Spacer made of reinforced polyamide black colour.

FEATURES: Accessory to be used with brackets Part.486, 488, 489, 490, 491.

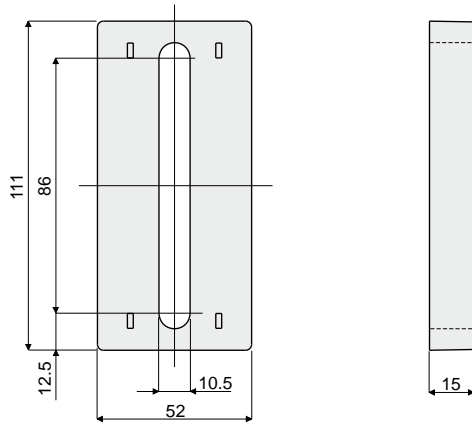
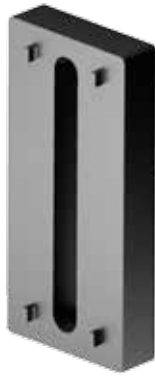
BOX QUANTITY: 24 pieces.

ON REQUEST:

- Spacers: In reinforced polypropylene, other colours.
- Box quantity: According to your request.

Guide rail brackets

Part. 224 Spacer for bracket



Code
224 / 80676

MATERIALS: Spacer made of reinforced polyamide black colour.

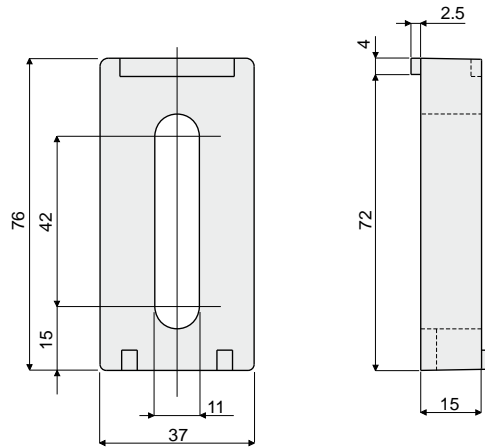
FEATURES: Accessory to be used with brackets Part.215, 218, 219, 220, 242, 243, 244, 255, 280, 281.

BOX QUANTITY: 24 pieces.

ON REQUEST:

- Spacers: In reinforced polypropylene, other colours.
- Box quantity: According to your request.

Part. 225 Spacer for bracket



Code
225 / 80677

MATERIALS: Spacer made of reinforced polyamide black colour.

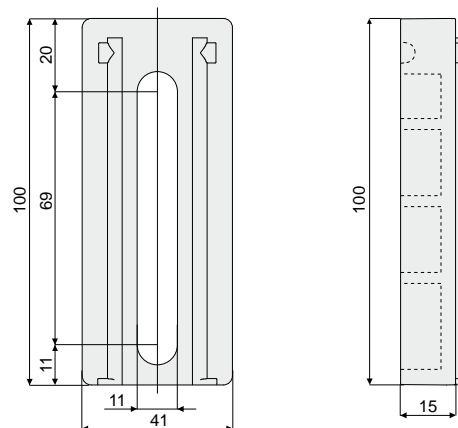
FEATURES: Accessory to be used with brackets Part.213, 214, 216, 217, 209, 279.

BOX QUANTITY: 24 pieces.

ON REQUEST:

- Spacers: In reinforced polypropylene, other colours.
- Box quantity: According to your request.

Part. 530 Spacer for bracket



Code
530 / 87752

MATERIALS: Spacer made of reinforced polyamide black colour.

FEATURES: Accessory to be used with brackets Part.215, 218, 219, 220, 242, 243, 244, 255, 280, 281.

BOX QUANTITY: 24 pieces.

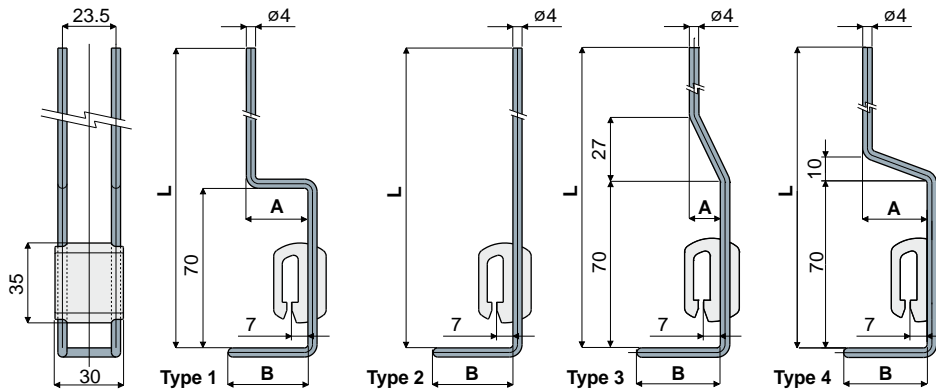
ON REQUEST:

- Spacers: In reinforced polypropylene, other colours.
- Box quantity: According to your request.

Guide rail brackets

Drip tray support

Part. **236**



L (mm)	B (mm)	A (mm)	Type 1 Code
180	35	27	236 / 80779
180	35	17	236 / 81012
230	35	27	236 / 82683
310	35	18	236 / 88679

L (mm)	B (mm)	Type 2 Code
200	35	236 / 80780
246	35	236 / 81013

L (mm)	B (mm)	A (mm)	Type 3 Code
250	35	13	236 / 82640

L (mm)	B (mm)	A (mm)	Type 4 Code
280	35	27	236 / 82949

MATERIALS: Support elements made of stainless steel AISI 304; body of coupling made of reinforced polyamide black colour.

FEATURES: To be used to support drip trays.

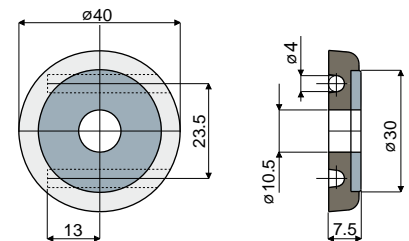
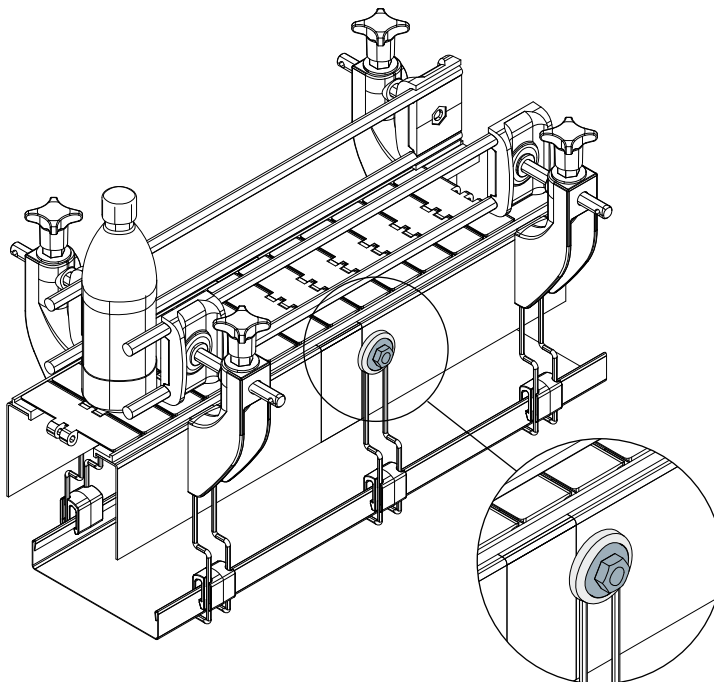
BOX QUANTITY: 24 pieces.

ON REQUEST:

- Drip tray supports: Supplied in different shapes and sizes.
- Box quantity: According to your request.

Mounting plate (for drip tray support)

Part. **235**



Code
235 / 80778

Example of application

MATERIALS: Plate made of reinforced polyamide black colour; washer made of stainless steel AISI 304.

FEATURES: For application on conveyor side to fasten drip tray support.

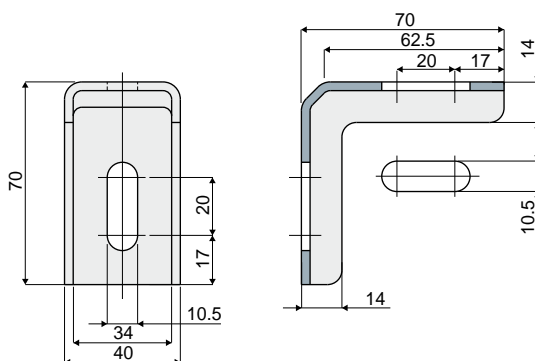
BOX QUANTITY: 24 pieces.

ON REQUEST:

- Box quantity: According to your request.

Guide rail brackets

Part. **387** **Bracket 90°**
(70 mm x 70 mm)



Code
387 / 84128

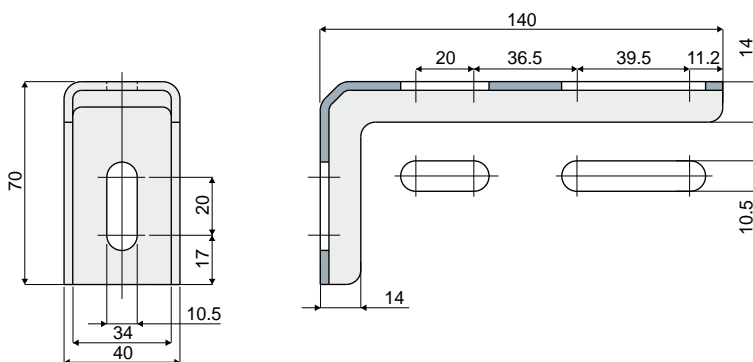
MATERIALS: Bracket in stainless steel AISI 304.

BOX QUANTITY: 24 pieces.

ON REQUEST:

- Box quantity: According to your request.

Part. **392** **Bracket 90°**
(70 mm x 140 mm)



Code
392 / 84130

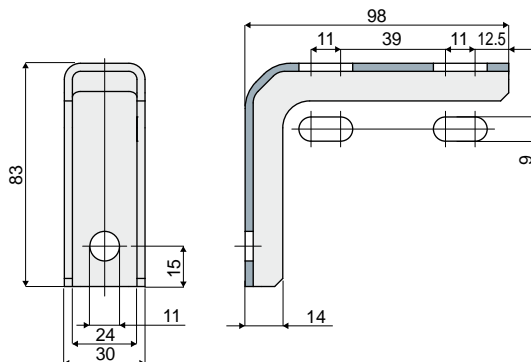
MATERIALS: Bracket in stainless steel AISI 304.

BOX QUANTITY: 24 pieces.

ON REQUEST:

- Box quantity: According to your request.

Part. **436** **Bracket 90°**
(83 mm x 98 mm)



Code
436 / 85215

MATERIALS: Bracket in stainless steel AISI 304.

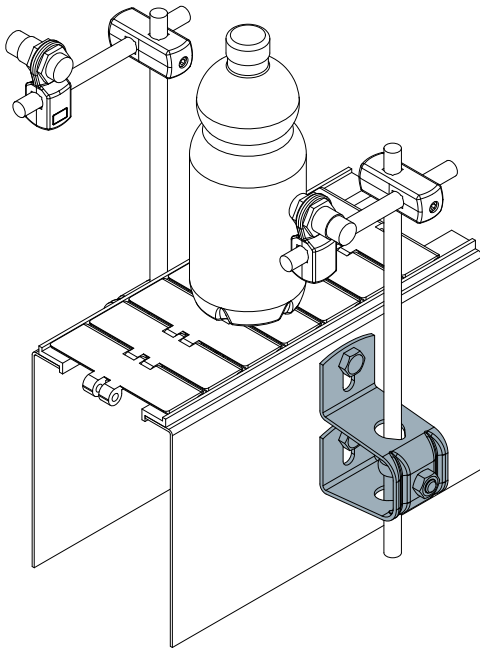
BOX QUANTITY: 24 pieces.

ON REQUEST:

- Box quantity: According to your request.

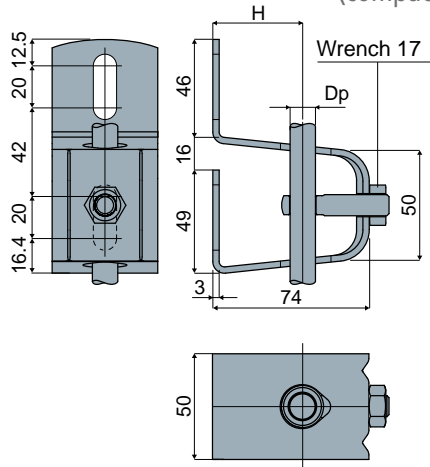
Guide rail brackets

Example of application



Guide rail bracket
(compact version)

Part. **408**



Dp Pin diameter (mm)	H (mm)	Code
12	49	408 / 84337
14	47	408 / 84338
16	46	408 / 84339
20	43	408 / 88698

MATERIALS: Bracket, eyebolt and nut made of stainless steel AISI 304.

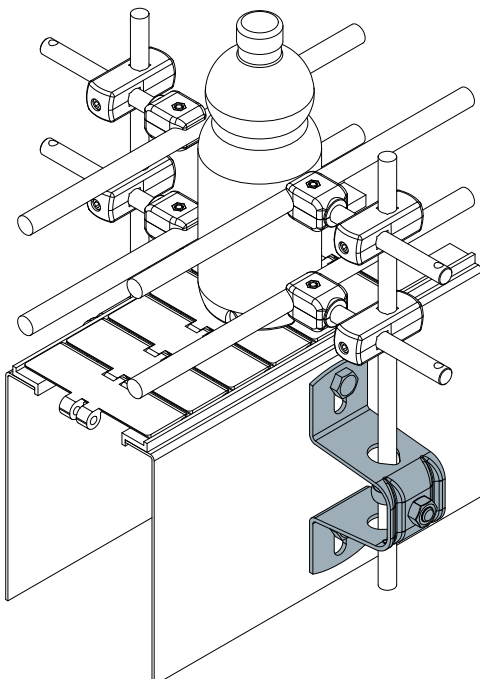
FEATURES: Supplied complete with bolts and nuts.

BOX QUANTITY: 8 pieces.

ON REQUEST:

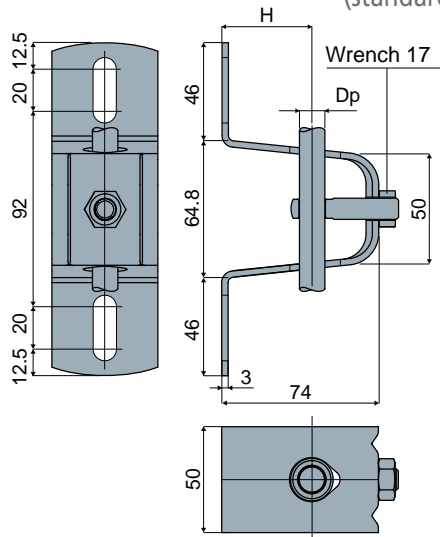
- Box quantity: According to your request.
- Assembly of: Eyebolts, nuts.

Example of application



Guide rail bracket
(standard version)

Part. **408**



Dp Pin diameter (mm)	H (mm)	Code
12	49	408 / 84334
14	47	408 / 84335
16	46	408 / 84336
20	43	408 / 88700

MATERIALS: Bracket, eyebolt and nut made of stainless steel AISI 304.

FEATURES: Supplied complete with bolts and nuts.

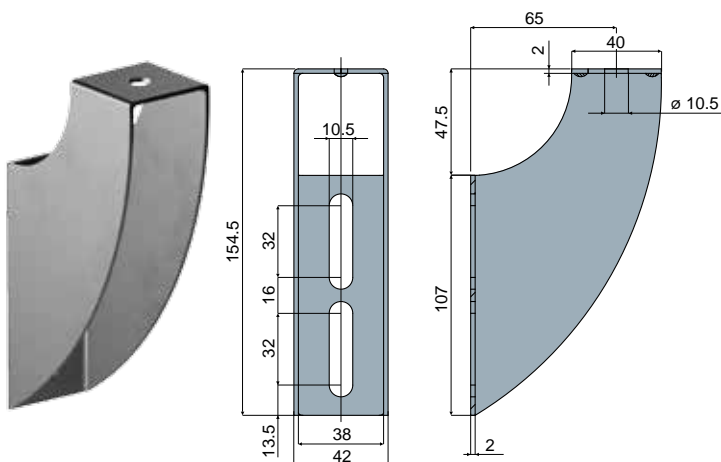
BOX QUANTITY: 8 pieces.

ON REQUEST:

- Box quantity: According to your request.
- Assembly of: Eyebolts, nuts.

Guide rail brackets

Part. 442 Guide rail bracket



Code

442 / 85242

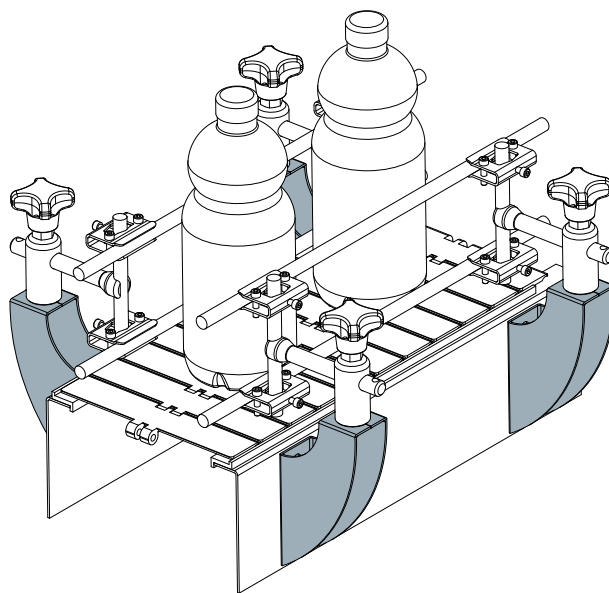
MATERIALS: Bracket made of stainless steel AISI 304.

BOX QUANTITY: 24 pieces.

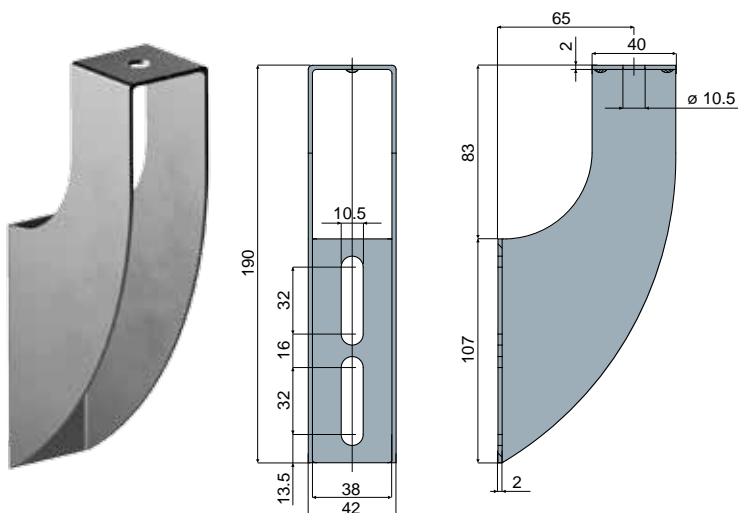
ON REQUEST:

- Box quantity: According to your request.

Example of application



Part. 441 Guide rail bracket



Code

441 / 85241

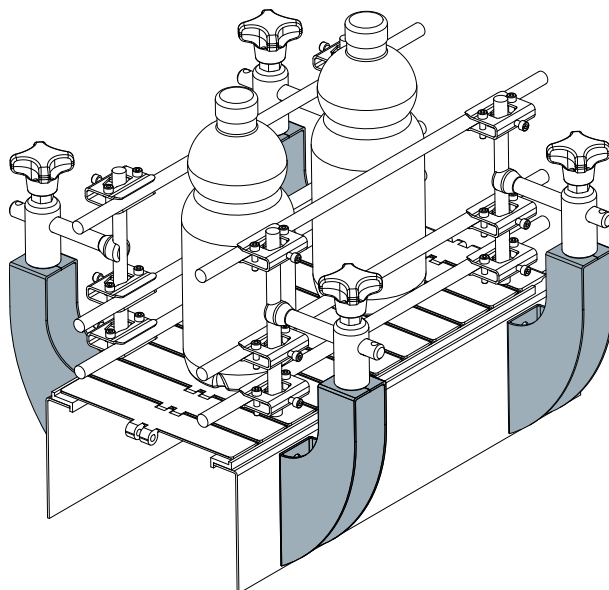
MATERIALS: Bracket made of stainless steel AISI 304.

BOX QUANTITY: 24 pieces.

ON REQUEST:

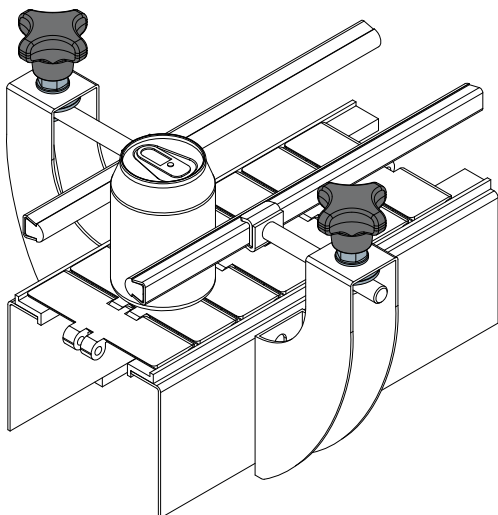
- Box quantity: According to your request.

Example of application



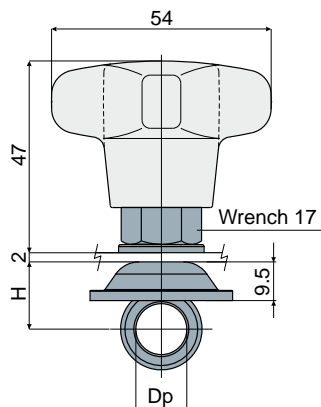
Tightening eyebolts

Example of application



Tightening eyebolt (with knob)

Part. **406**



Dp Pin diameter (mm)	H (mm)	Code
12	15,5	406 / 84328
14	16,5	406 / 84329
16	17,5	406 / 84330

MATERIALS: Eyebolt and washers made of stainless steel AISI 304, threaded bushing in nickel plated brass; knob in reinforced polyamide black colour.

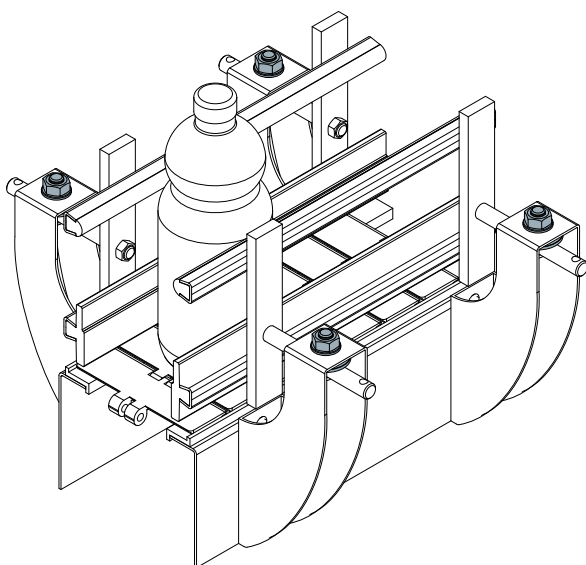
FEATURES: Supplied complete with bolts and nuts.

BOX QUANTITY: 24 pieces.

ON REQUEST:

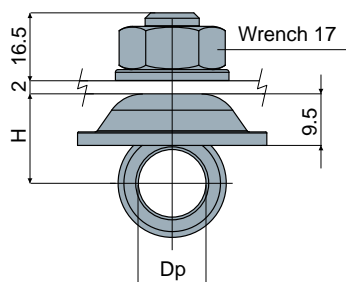
- Assembly of: Eyebolts, washers and nuts.
- Box quantity: According to your request.

Example of application



Tightening eyebolt (with nut)

Part. **407**



Dp Pin diameter (mm)	H (mm)	Code
12	15,5	407 / 84331
14	16,5	407 / 84332
16	17,5	407 / 84333

MATERIALS: Eyebolt, washers and nuts made of stainless steel AISI 304.

FEATURES: Supplied complete with bolts and nuts.

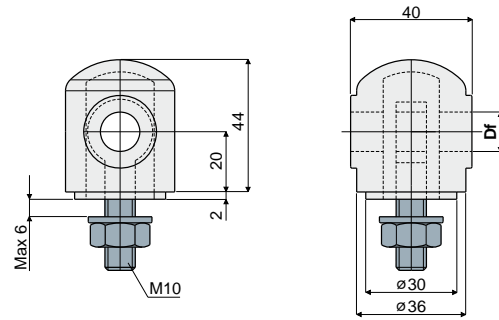
BOX QUANTITY: 24 pieces.

ON REQUEST:

- Assembly of: Eyebolts, washers and nuts.
- Box quantity: According to your request.

Heads for brackets

Part. 222 Head for bracket



Df Bore for pin of (mm)	Code
12	222 / 80671
14	222 / 80672
16	222 / 80673

MATERIALS: Head made of reinforced polyamide black colour; eyebolt, nut and washer made of stainless steel AISI 304.

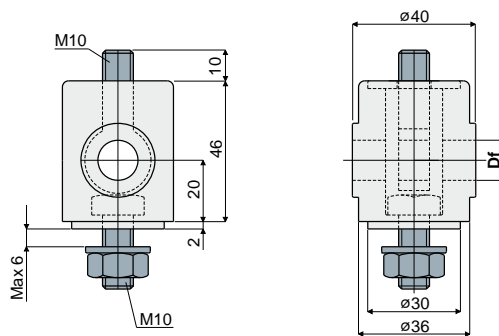
FEATURES: To be used with bracket Part.209, 220, 242, 441, 442, 486. Max tightening torque 4 Kg-m.

BOX QUANTITY: 24 pieces.

ON REQUEST:

- Heads: In reinforced polypropylene, other colours.
- Box quantity: According to your request.

Part. 221 Head for bracket



Df Bore for pin of (mm)	Code
12	221 / 80668
14	221 / 80669
16	221 / 80670

MATERIALS: Head made of reinforced polyamide black colour; eyebolt, screw, nut and washers made of stainless steel AISI 304.

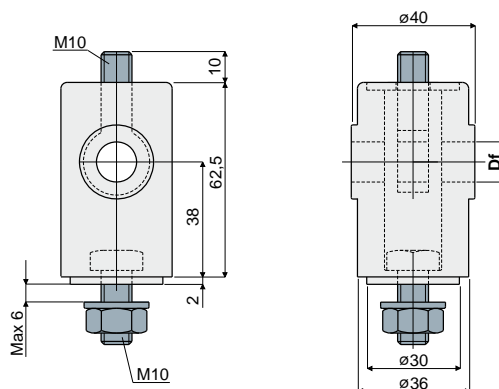
FEATURES: To be used with bracket Part.209, 220, 242, 441, 442, 486. Max tightening torque 4 Kg-m.

BOX QUANTITY: 24 pieces.

ON REQUEST:

- Heads: In reinforced polypropylene, other colours.
- Box quantity: According to your request.

Part. 266 Head for bracket (high type)



Df Bore for pin of (mm)	Code
12	266 / 82035
14	266 / 82036
16	266 / 82037

MATERIALS: Head made of reinforced polyamide black colour; eyebolt, nuts and washer made of stainless steel AISI 304.

FEATURES: To be used with bracket Part.209, 220, 242, 441, 442, 486. Max tightening torque 4 Kg-m.

BOX QUANTITY: 24 pieces.

ON REQUEST:

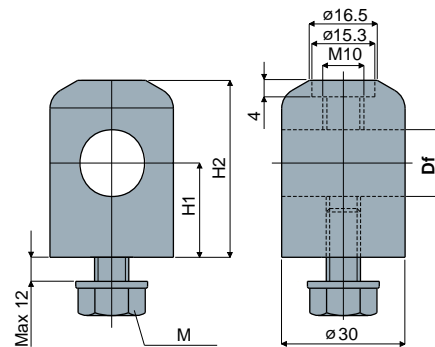
- Heads: Made of reinforced polypropylene, other colours.
- Box quantity: According to your request.

Heads for brackets

Head for bracket (metal)

Part. **223**

M	Df		H1	H2	Code
	Bore for pin of (mm)	(inches)			
M8x16	14 - 16	-	23	43	223 / 84544
M10x16	14 - 16	-	23	43	223 / 84226
M10x20	12,7	1/2"	23	43	223 / 84543
M10x20	14 - 16	-	23	43	223 / 80675
	14 - 16	-	40	60	223 / 84542
	14 - 16	-	60	80	223 / 83640



MATERIALS: Head made out of stainless steel AISI 304; screw and washer made out of stainless steel AISI 304.

FEATURES: To be used with Part.209, 220, 242, 441, 442, 486. Max tightening torque 4 Kg·m.

Possibility to use pins with diameter 12.7, 14, 16 mm and 1/2".

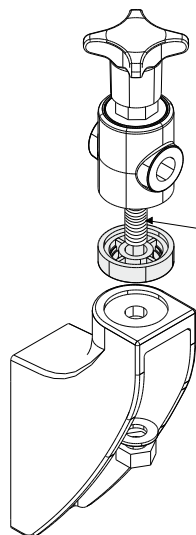
BOX QUANTITY: 24 pieces.

ON REQUEST:

- Heads: In different lengths.
- Box quantity: According to your request.

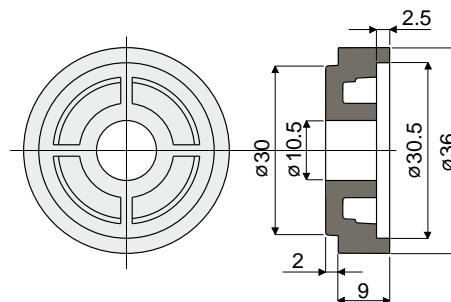
Spacer for heads

Part. **256**



Example of application

N.B.: To use the spacer, it is necessary to change the standard screw with a longer one.



Code
256 / 81011

MATERIALS: Spacer made of reinforced polyamide black colour.

FEATURES: Accessory to be used on brackets Part.214, 215, 216, 209, 220, 242, 218, 243, 244, 279, 280, 281, 486, 488, 489, 490 to increase heads height.

BOX QUANTITY: 24 pieces.

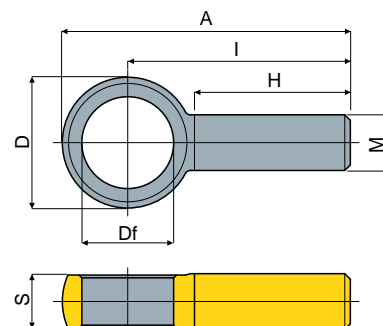
ON REQUEST:

- Spacers: In reinforced polypropylene, other colours.
- Box quantity: According to your request.

Eyebolt

Part. **526**

M	Df		D	H	I	A	S	Code
	Bore diameter (mm)							
M10x20	13		22	21	39	49	9	526 / 87380
	14,5		22	21	39	49	9	526 / 87381
	16,5		23,5	28	40	52	9,5	526 / 87382
	20,5		27	26	40	53,5	7	526 / 88704



MATERIALS: Eyebolt in stainless steel AISI 304.

FEATURES: To be used with Part.213, 214, 215, 217, 219, 221, 222, 227, 243, 247, 255, 266, 279, 280, 281, 312, 406, 407, 408, 488, 489, 491.

Possibility to use pins with diameter 12.7, 14, 16, 20 mm and 1/2".

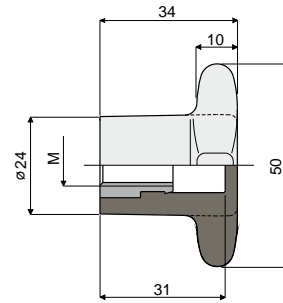
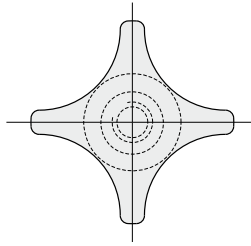
BOX QUANTITY: 24 pieces.

ON REQUEST:

- Box quantity: According to your request.

Knobs and handles

Part. 226 Knob for bracket



M	Code
M8	226 / 81147
M10	226 / 80678
M12	226 / 81148

MATERIALS: Knob made of reinforced polyamide black colour; threaded bushing made of nickel plated brass.

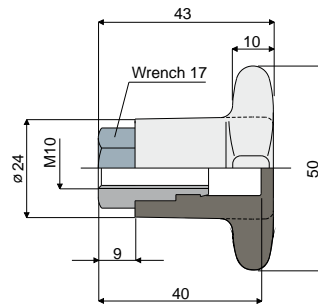
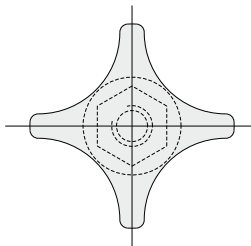
FEATURES: Accessory to be used with heads Part.221 and 266.

BOX QUANTITY: 24 pieces.

ON REQUEST:

- Knobs: In reinforced polypropylene, other colours.
- Box quantity: According to your request.

Part. 227 Knob for bracket



Code
227 / 80679

MATERIALS: Knob made of reinforced polyamide black colour; threaded bushing made of nickel plated brass.

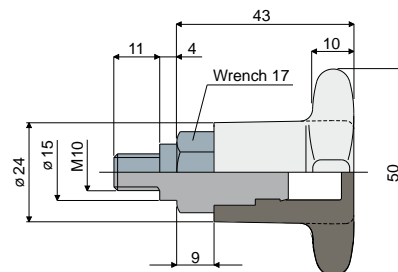
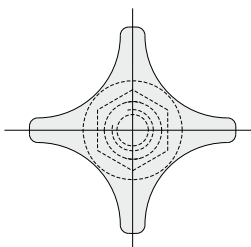
FEATURES: Accessory to be used with heads Part.221 and 266.

BOX QUANTITY: 24 pieces.

ON REQUEST:

- Knobs: In reinforced polypropylene, other colours.
- Box quantity: According to your request.

Part. 228 Knob for bracket



Code
228 / 80680

MATERIALS: Knob made of reinforced polyamide black colour; threaded bushing made of nickel plated brass.

FEATURES: Accessory to be used with head Part.223.

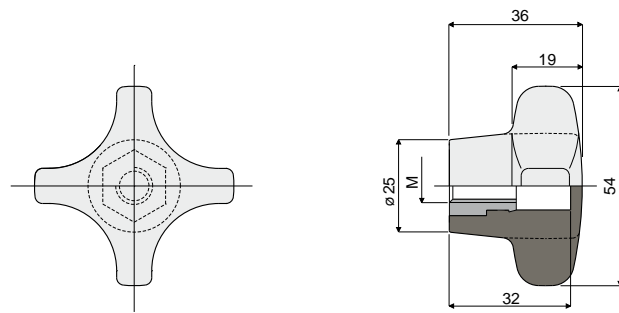
BOX QUANTITY: 24 pieces.

ON REQUEST:

- Knobs: In reinforced polypropylene, other colours.
- Box quantity: According to your request.

Knobs and handles

Knob for bracket (reinforced type) Part. 246



M	Code
M8	246 / 84473
M10	246 / 81135
M12	246 / 84870

MATERIALS: Knob made of reinforced polyamide black colour; threaded bushing is made of nickel plated brass.

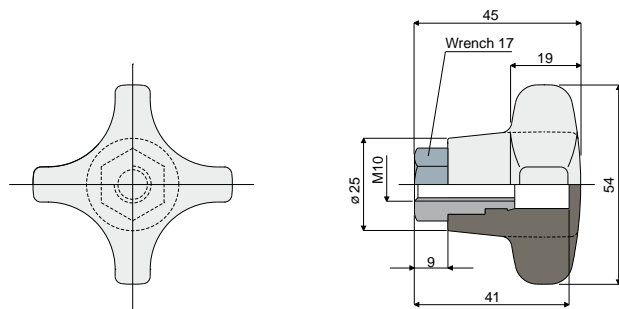
FEATURES: Accessory to be applied to our heads Part.221 and Part.266.

BOX QUANTITY: 24 pieces.

ON REQUEST:

- Knobs: In reinforced polypropylene, other colours.
- Box quantity: According to your request.

Knob for bracket (reinforced type) Part. 247



Code
247 / 81137

MATERIALS: Knob made of reinforced polyamide black colour; threaded bushing made of nickel plated brass.

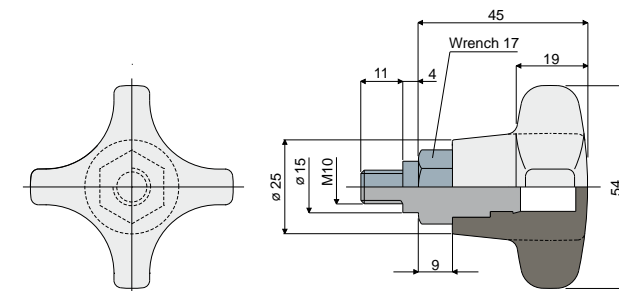
FEATURES: Accessory to be applied to our heads Part.221 and Part.266.

BOX QUANTITY: 24 pieces.

ON REQUEST:

- Knobs: In reinforced polypropylene, other colours.
- Box quantity: According to your request.

Knob for bracket (reinforced type) Part. 248



Code
248 / 81139

MATERIALS: Knob made of reinforced polyamide black colour; threaded insert made of nickel plated brass.

FEATURES: Accessory to be applied to our head Part.223.

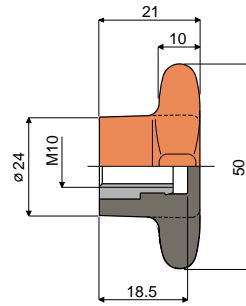
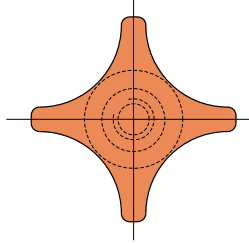
BOX QUANTITY: 24 pieces.

ON REQUEST:

- Knobs: In reinforced polypropylene, other colours.
- Box quantity: According to your request.

Knobs and handles

Part. 313 Knob for bracket (short type)



Code

313 / 82848

MATERIALS: Knob made of reinforced polyamide orange colour; threaded bushing made of nickel plated brass.

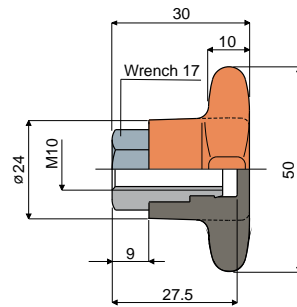
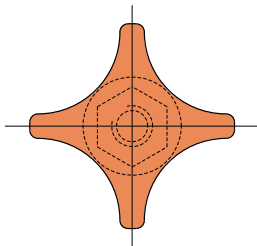
FEATURES: Accessory to be used with heads Part.221 and 266.

BOX QUANTITY: 24 pieces.

ON REQUEST:

- Knobs: In reinforced polypropylene, other colours.
- Box quantity: According to your request.

Part. 314 Knob for bracket (short type)



Code

314 / 82849

MATERIALS: Knob made of reinforced polyamide orange colour; threaded bushing made of nickel plated brass.

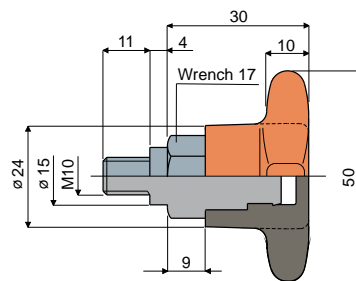
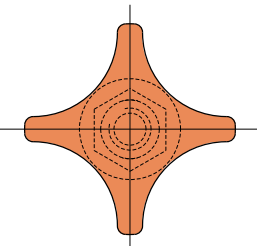
FEATURES: Accessory to be used with heads Part.221 and 266.

BOX QUANTITY: 24 pieces.

ON REQUEST:

- Knobs: In reinforced polypropylene, other colours.
- Box quantity: According to your request.

Part. 315 Knob for bracket (short type)



Code

315 / 82850

MATERIALS: Knob made of reinforced polyamide orange colour; threaded bushing made of nickel plated brass.

FEATURES: Accessory to be used with head Part.223.

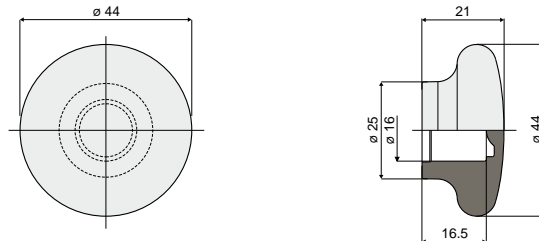
BOX QUANTITY: 24 pieces.

ON REQUEST:

- Knobs: In reinforced polypropylene, other colours.
- Box quantity: According to your request.

Knobs and handles

Round handle Part. **386**
(\varnothing 44 mm)

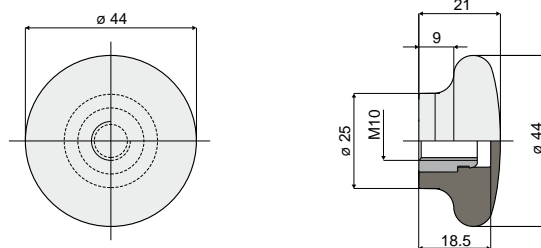


Code
386 / 84124

MATERIALS: Handle in reinforced polypropylene, orange colour.
FEATURES: To be used as protection for the pins edges; can be used with pin Part.301 (Dp = 16 mm.).
BOX QUANTITY: 24 pieces.

- ON REQUEST:**
- Handles: in reinforced polypropylene, different colours.
 - Box quantity: According to your request.

Round handle Part. **334**
(\varnothing 44 mm)

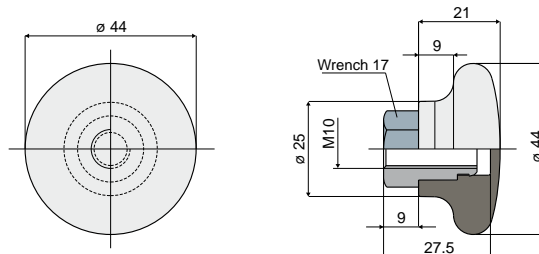


Code
334 / 83116

MATERIALS: Handle made of reinforced polyamide black colour; threaded bushing made of nickel plated brass.
FEATURES: Accessory to be used with heads Part.221 and 266.
BOX QUANTITY: 24 pieces.

- ON REQUEST:**
- Handles: In reinforced polypropylene, other colours.
 - Box quantity: According to your request.

Round handle Part. **337**
(\varnothing 44 mm)

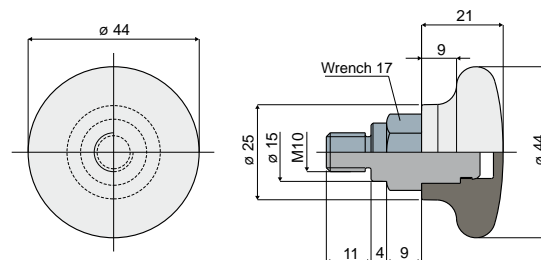


Code
337 / 83302

MATERIALS: Handle made of reinforced polyamide black colour; threaded bushing made of nickel plated brass.
FEATURES: Accessory to be used with heads Part.221 and 266.
BOX QUANTITY: 24 pieces.

- ON REQUEST:**
- Handles: In reinforced polypropylene, other colours.
 - Box quantity: According to your request.

Round handle Part. **338**
(\varnothing 44 mm)



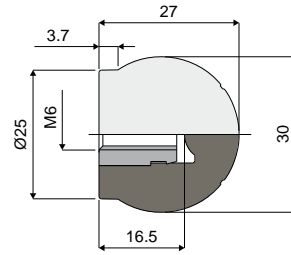
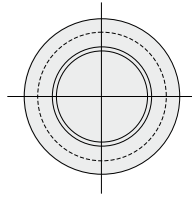
Code
338 / 83303

MATERIALS: Handle made of reinforced polyamide black colour; threaded bushing made of nickel plated brass.
FEATURES: Accessory to be used with head Part.223.
BOX QUANTITY: 24 pieces.

- ON REQUEST:**
- Handles: In reinforced polypropylene, other colours.
 - Box quantity: According to your request.

Knobs and handles

Part. 382 Ball handle



Code
382 / 84119

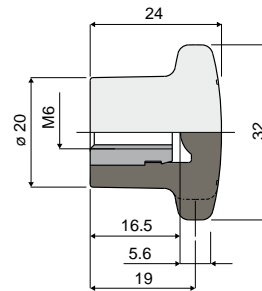
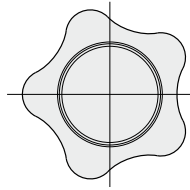
MATERIALS: Ball handle made of reinforced polyamide, black colour; threaded bushing in nickel plated brass.

BOX QUANTITY: 24 pieces.

ON REQUEST:

- Handles: Made in reinforced polypropylene, different colours.
- Box quantity: According to your request.

Part. 383 Knob



Code
383 / 84120

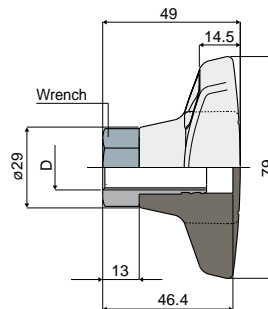
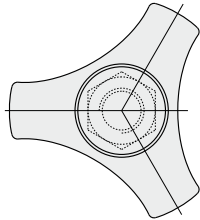
MATERIALS: Knob made of reinforced polyamide, black colour; threaded bushing in nickel plated brass.

BOX QUANTITY: 24 pieces.

ON REQUEST:

- Knobs: In reinforced polypropylene, other colours, with customized brand.
- Box quantity: According to your request.

Part. 350 Knob



D	Wrench	Code
M12	19	350 / 83398
M16	24	350 / 83399

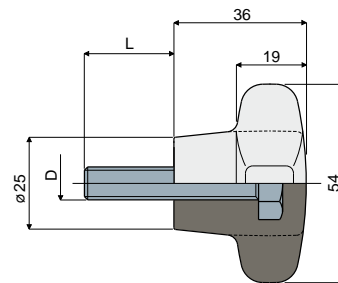
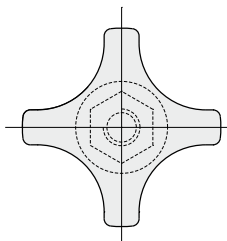
MATERIALS: Knob made of reinforced polyamide black colour; threaded bushing in nickel plated brass.

BOX QUANTITY: 24 pieces.

ON REQUEST:

- Knobs: In reinforced polypropylene, other colours, with customized brand.
- Box quantity: According to your request.

Part. 294 Knob for bracket (reinforced type)



D (mm)	L (mm)	Code
M8	22	294 / 82805
M10	22	294 / 82588

MATERIALS: Knob made of reinforced polyamide black colour; bolt made of stainless steel AISI 304.

FEATURES: Accessory to be used with head Part.223.

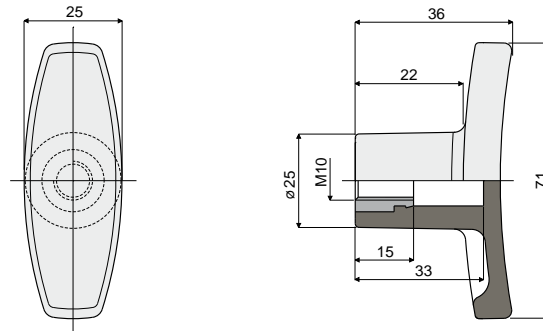
BOX QUANTITY: 24 pieces.

ON REQUEST:

- Knobs: Made of reinforced polypropylene, in other colours, with bolts of different length and diameter.
- Box quantity: According to your request.

Knobs and handles

"T"- handle Part. 303



Code
303 / 82806

MATERIALS: Handle is made of reinforced polyamide black colour; threaded bushing is made of nickel plated brass.

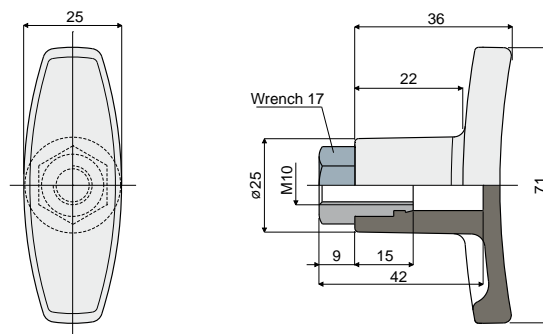
FEATURES: Accessory to be used with heads Part.221 and 266.

BOX QUANTITY: 24 pieces.

ON REQUEST:

- Handles: made of reinforced polypropylene, other colours.
- Box quantity: According to your request.

"T"- handle Part. 304



Code
304 / 82807

MATERIALS: Handle is made of reinforced polyamide black colour; threaded bushing is made of nickel plated brass.

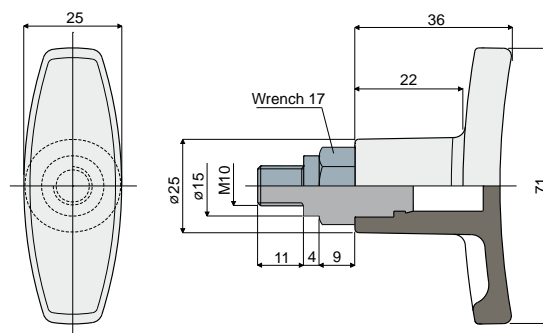
FEATURES: Accessory to be used with heads Part.221 and 266.

BOX QUANTITY: 24 pieces.

ON REQUEST:

- Handles: made of reinforced polypropylene, other colours.
- Box quantity: According to your request.

"T"- handle Part. 305



Code
305 / 82808

MATERIALS: Handle is made of reinforced polyamide black colour; threaded bushing is made of nickel plated brass.

FEATURES: Accessory to be used with heads Part.223.

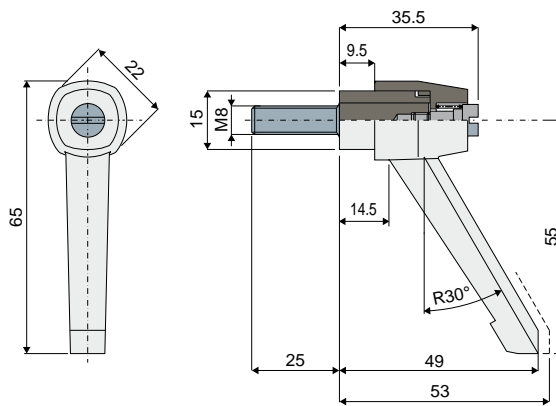
BOX QUANTITY: 24 pieces.

ON REQUEST:

- Handles: made of reinforced polypropylene, other colours.
- Box quantity: According to your request.

Knobs and handles

Part. 397 Ratchet handle clamping



Code
397 / 84260

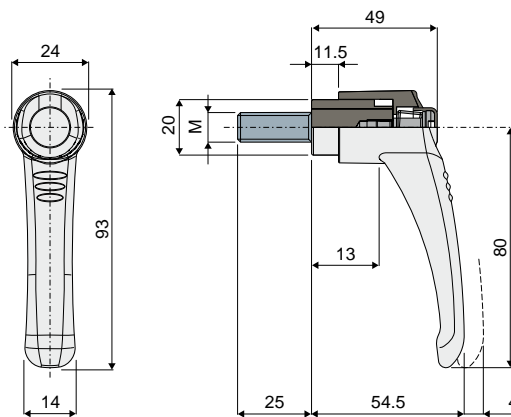
MATERIALS: Handle made of reinforced polyamide black colour; threaded insert made of stainless steel AISI 304.

BOX QUANTITY: 24 pieces.

ON REQUEST:

- Box quantity: According to your request.

Part. 400 Ratchet handle clamping



M	Code
M8	400 / 86693
M10	400 / 84316

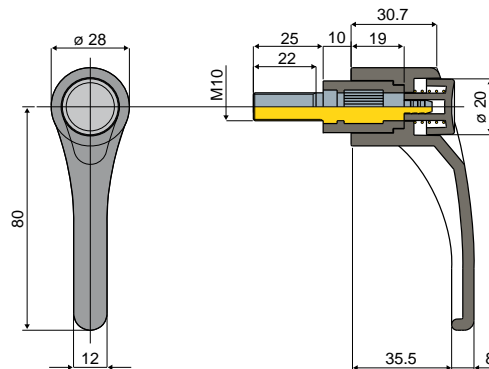
MATERIALS: Handle made of reinforced polyamide black colour with push button in orange colour; threaded insert made of stainless steel AISI 304.

BOX QUANTITY: 24 pieces.

ON REQUEST:

- Box quantity: According to your request.

Part. 332 Ratchet handle clamping



Code
332 / 83113

MATERIALS: Handle made of reinforced polyamide black colour with push button in orange colour; threaded insert made of zinc plated steel.

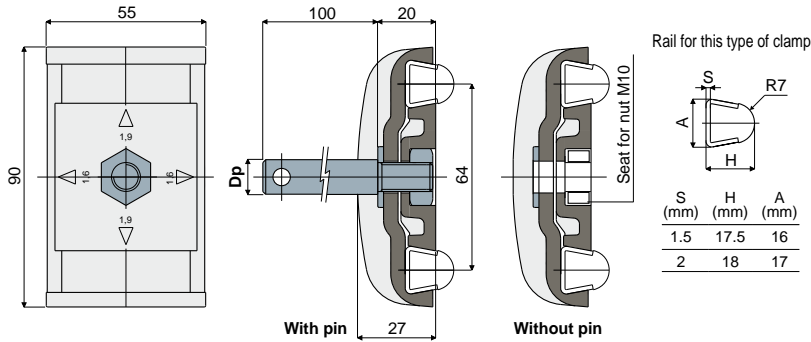
BOX QUANTITY: 24 pieces.

ON REQUEST:

- Handles: With threaded inserts M8, M10, M12, with different lengths; also available in stainless steel AISI 304.
- Box quantity: According to your request.

Guide rail clamps

Guide rail clamp Part. 230 (for trapezoidal rails)



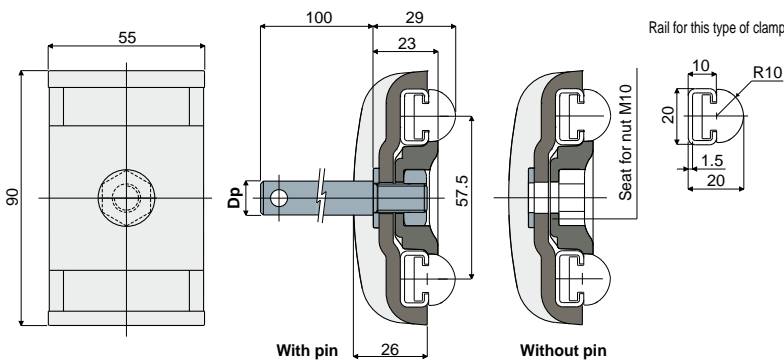
Dp Pin diameter (mm)	With pin Code	Without pin Code
12	230 / 80684	
14	230 / 80685	230 / 80611
16	230 / 80686	

MATERIALS: Clamp made of reinforced polyamide black colour; pin, nut and washer made of stainless steel AISI 304.
FEATURES: Supplied with or without support pin. With this item it is possible to use thickness 1,5 and 2 mm guides, by rotating for 90° the central plate: Part.353, 354, 377, 418, 419, 420, 446, 469, 485, 514.
BOX QUANTITY: 24 pieces.

ON REQUEST:

- Clamps: In reinforced polypropylene, other colours.
- Box quantity: According to your request.

Guide rail clamp Part. 289 (for rectangular rails)



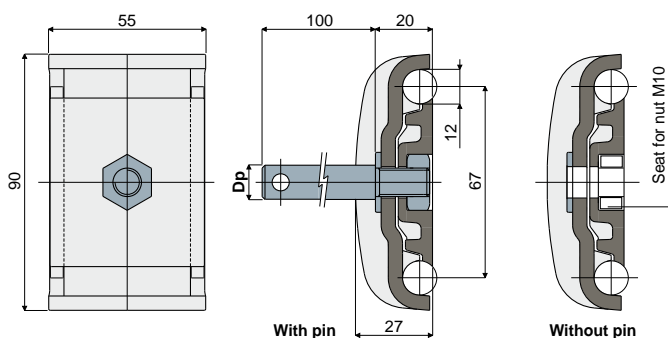
Dp Pin diameter (mm)	With pin Code	Without pin Code
12	289 / 82569	
14	289 / 82570	289 / 82572
16	289 / 82571	

MATERIALS: Clamp made of reinforced polyamide black colour; pin, nut and washer made of stainless steel AISI 304.
FEATURES: Supplied with or without support pin. To be used for the support of the product guide rail Part.373.
BOX QUANTITY: 24 pieces.

ON REQUEST:

- Clamps: In reinforced polypropylene, other colours.
- Box quantity: According to your request.

Guide rail clamp Part. 229 (for round rails)



Dp Pin diameter (mm)	With pin Code	Without pin Code
12	229 / 80681	
14	229 / 80682	229 / 80609
16	229 / 80683	

MATERIALS: Clamp made of reinforced polyamide black colour; pin, nut and washer made of stainless steel AISI 304.
FEATURES: Supplied with or without support pin.
BOX QUANTITY: 24 pieces.

ON REQUEST:

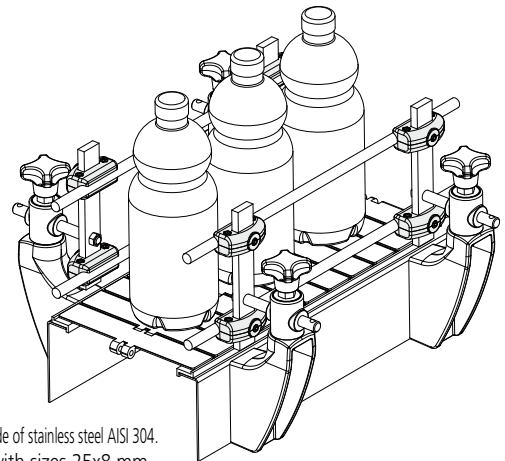
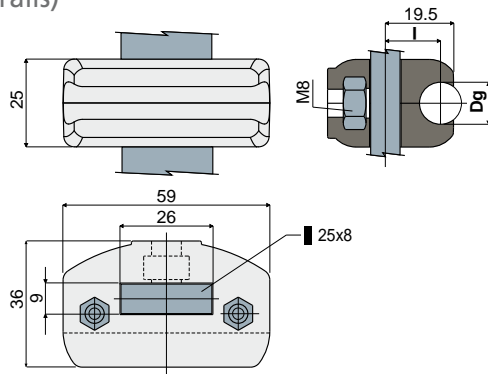
- Clamps: In reinforced polypropylene, other colours.
- Box quantity: According to your request.

Guide rail clamps

Part. 231

Guide rail clamp (for round rails)

Example of application



Dg Rail diameter (mm)	l (mm)	Code
8	16	231 / 80749
10	15	231 / 80788
12	15	231 / 80687
14	15	231 / 80787

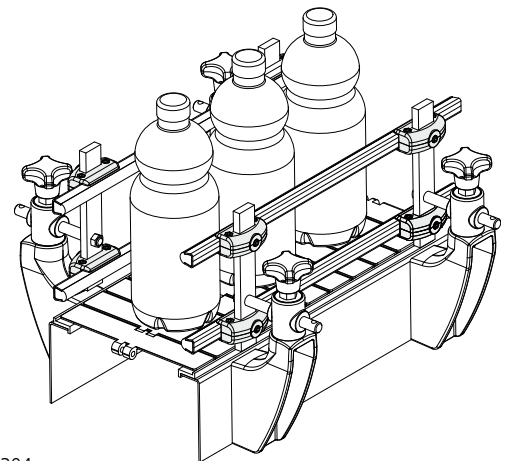
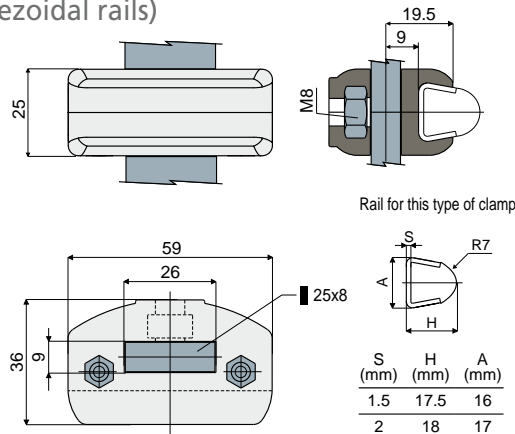
MATERIALS: Clamp made of reinforced polyamide black colour; bolts and nuts made of stainless steel AISI 304.
FEATURES: Supplied assembled. To be used with flat support with sizes 25x8 mm.
BOX QUANTITY: 24 pieces.
ON REQUEST:

- Clamps: In reinforced polypropylene, other colours.
- Box quantity: According to your request.

Part. 232

Guide rail clamp (for trapezoidal rails)

Example of application



Code
232 / 80688

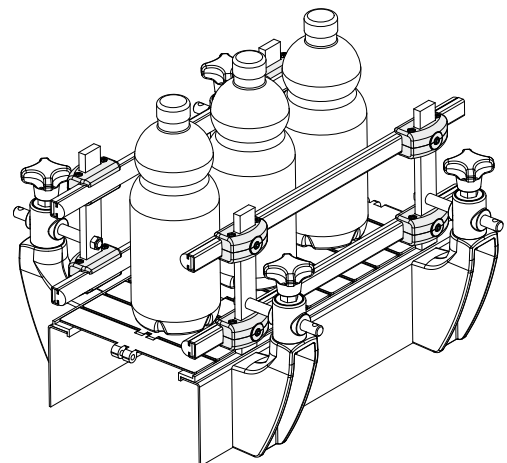
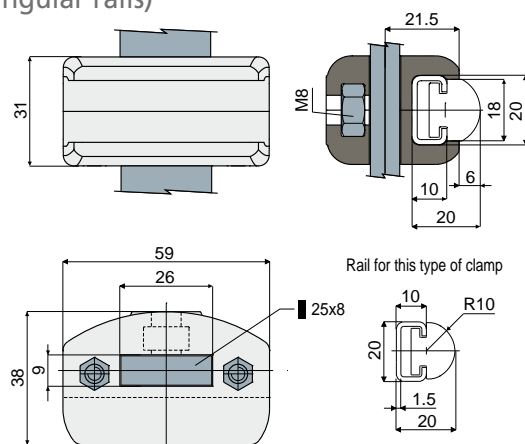
MATERIALS: Clamp made of reinforced polyamide black colour; bolts and nuts made of stainless steel AISI 304.
FEATURES: Supplied assembled. To be used with flat support with sizes 25x8 mm. With this item it is possible to use thickness 1,5 and 2 mm guides: Part.353, 354, 377, 418, 419, 420, 446, 469, 485, 514.
BOX QUANTITY: 24 pieces.
ON REQUEST:

- Clamps: In reinforced polypropylene, other colours.
- Box quantity: According to your request.

Part. 291

Guide rail clamp (for rectangular rails)

Example of application



Code
291 / 82578

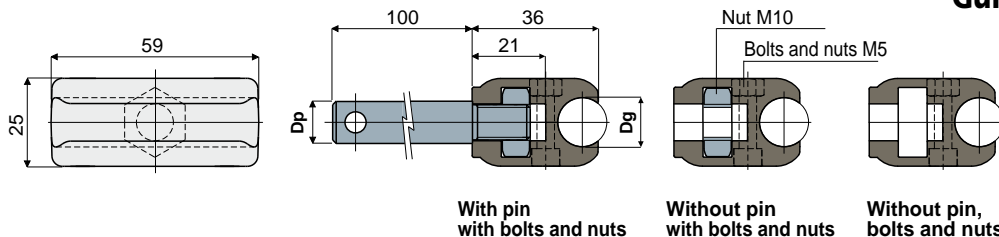
MATERIALS: Clamp made of reinforced polyamide black colour; bolts and nuts made of stainless steel AISI 304.
FEATURES: Supplied assembled. To be used with flat profile with sizes 25x8 mm. To be used for the support of the product guide rail Part.373.
BOX QUANTITY: 24 pieces.
ON REQUEST:

- Clamps: In reinforced polypropylene, other colours.
- Box quantity: According to your request.

Guide rail clamps

Guide rail clamp (for round rails)

Part. **483**



Dp Pin diameter (mm)	Dg Rail diameter (mm)	With pin with bolts and nuts		Dg Rail diameter (mm)	Without pin with bolts and nuts	
		Code			Code	
12	8	483 / 87024		8	483 / 86156	
	10	483 / 87025		10	483 / 86151	
	12	483 / 87026		12	483 / 86152	
	14	483 / 87027		14	483 / 86153	
14	8	483 / 87028		Dg Rail diameter (mm)	Without pin, bolts and nuts	
	10	483 / 87029			Code	
	12	483 / 87030			Code	
16	14	483 / 87031		8	483 / 87036	
	8	483 / 87032		10	483 / 87037	
	10	483 / 87033		12	483 / 87038	
	12	483 / 87034		14	483 / 87039	
	14	483 / 87035				

MATERIALS: Clamp made of reinforced polyamide black colour; pin, bolts and nuts made of stainless steel AISI 304.
FEATURES: Supplied with or without support pin and with or without bolts and nuts.

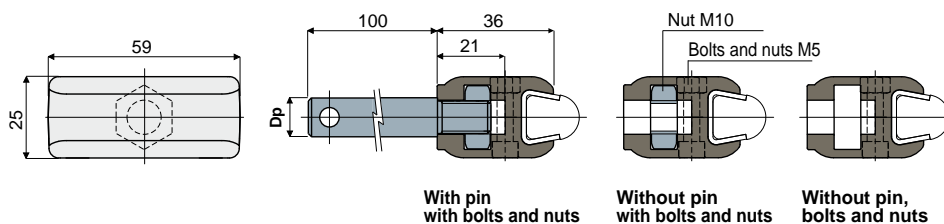
BOX QUANTITY: 24 pieces.

ON REQUEST:

- Clamps: In reinforced polypropylene, other colours.
- Box quantity: According to your request.

Guide rail clamp (for trapezoidal rails)

Part. **484**



Rail for this type of clamp

S (mm)	H (mm)	A (mm)
1.5	17.5	16
2	18	17



MATERIALS: Clamp made of reinforced polyamide black colour; pin, bolts and nuts made of stainless steel AISI 304.

FEATURES: Supplied with or without support pin and with or without bolts and nuts. With this item it is possible to use thickness 1,5 and 2 mm guides: Part.353, 354 377, 418, 419, 420, 446, 469, 485, 514.

BOX QUANTITY: 24 pieces.

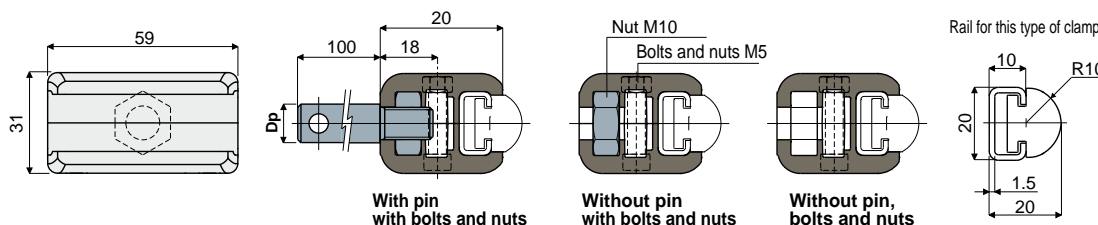
ON REQUEST:

- Clamps: In reinforced polypropylene, other colours.
- Box quantity: According to your request.

Dp Pin diameter (mm)	With pin with bolts and nuts		Without pin with bolts and nuts	Without pin, bolts and nuts
	Code		Code	Code
12	484 / 87040			
14	484 / 87041		484 / 86154	484 / 87043
16	484 / 87042			

Guide rail clamp (for rectangular rail)

Part. **290**



Rail for this type of clamp



Dp Pin diameter (mm)	With pin with bolts and nuts		Without pin with bolts and nuts	Without pin, bolts and nuts
	Code		Code	Code
12	290 / 82573			
14	290 / 82574		290 / 82576	290 / 82577
16	290 / 82575			

MATERIALS: Clamp made of reinforced polyamide black colour; pin, bolts and nuts made of stainless steel AISI 304.

FEATURES: Supplied with or without support pin and with or without bolts and nuts. To be used for the support of the product guide rail Part.373.

BOX QUANTITY: 24 pieces.

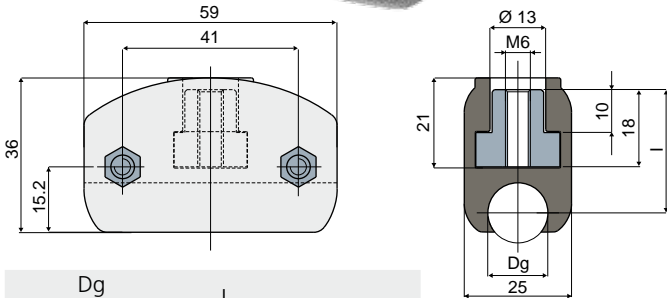
ON REQUEST:

- Clamps: In reinforced polypropylene, other colours.
- Box quantity: According to your request.

Guide rail clamps

Part. 346

Guide rail clamp
(for round rails)



Dg Rail diameter (mm)	l (mm)	Code
8	30	346 / 83390
10	29,5	346 / 83391
12	29,5	346 / 83392
14	28,7	346 / 83393

MATERIALS: Clamp made of reinforced polyamide black colour; threaded insert in nickel plated brass; bolts and nuts in stainless steel AISI 304.

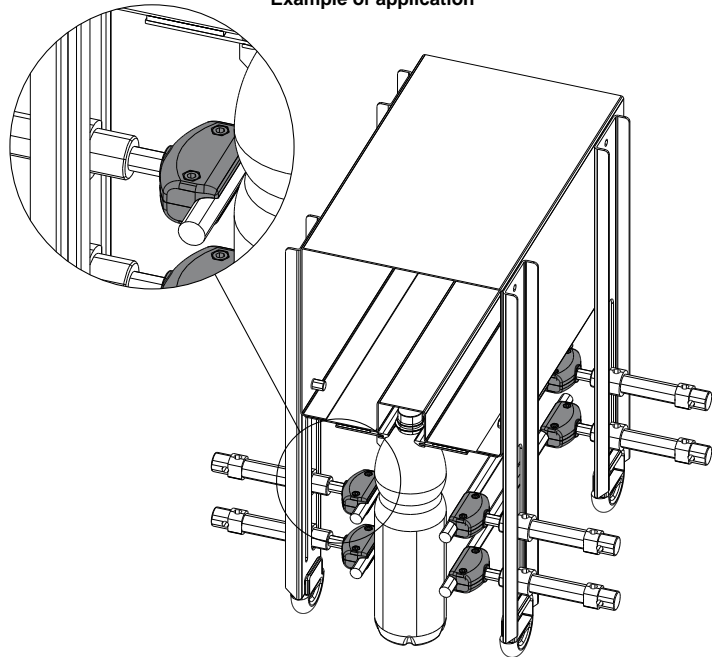
FEATURES: Designed appositely to be assembled directly on the pneumatic cylinder for the rails regulation. Supplied assembled.

BOX QUANTITY: 24 pieces.

ON REQUEST:

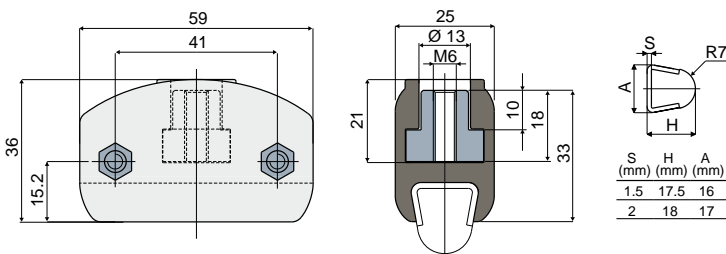
- Clamps: In reinforced polypropylene, other colours.
- Box quantity: According to your request.

Example of application



Part. 347

Guide rail clamp
(for trapezoidal rails)



Code
347 / 83394

MATERIALS: Clamp made of reinforced polyamide black colour; threaded insert in nickel plated brass; bolts and nuts in stainless steel AISI 304.

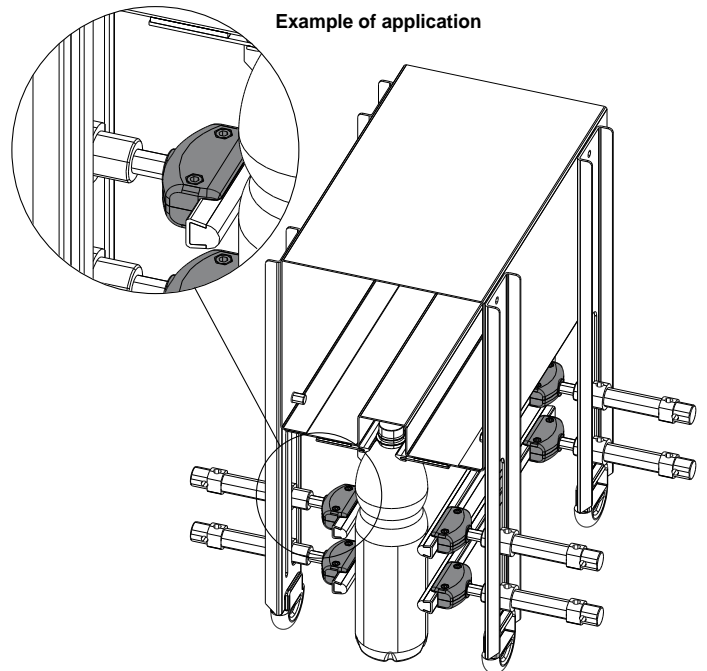
FEATURES: Designed appositely to be assembled directly on the pneumatic cylinder for the rails regulation. With this item it is possible to use thickness 1,5 and 2 mm guides: Part.353, 354, 377, 418, 419, 420, 446, 469, 485, 514. Supplied assembled.

BOX QUANTITY: 24 pieces.

ON REQUEST:

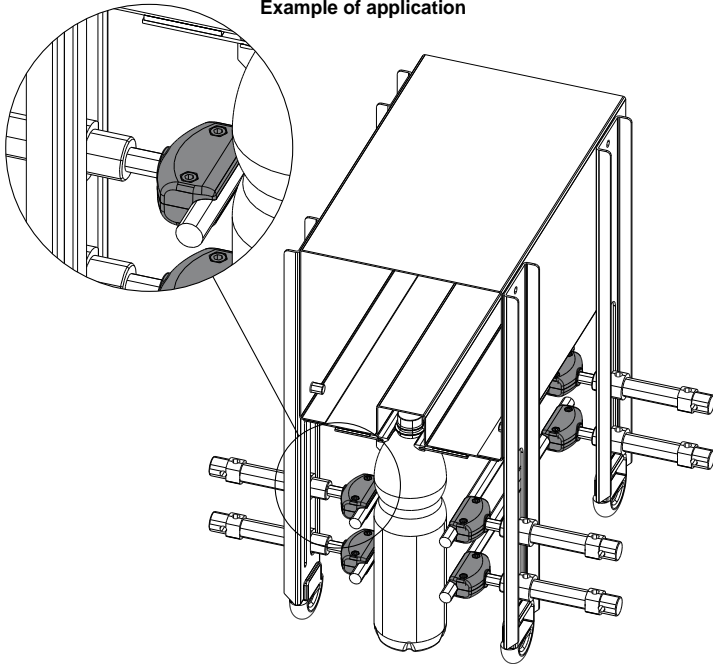
- Clamps: In reinforced polypropylene, other colours.
- Box quantity: According to your request.

Example of application



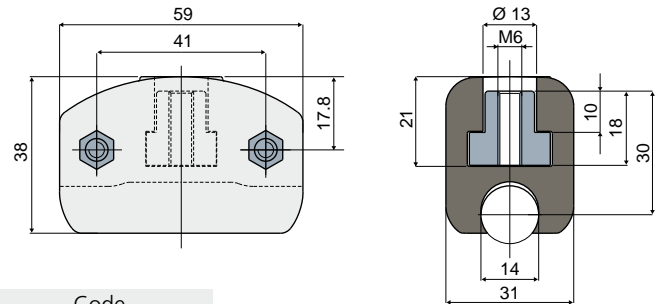
Guide rail clamps

Example of application



Guide rail clamp (for round rails)

Part. **348**



Code
348 / 83395

MATERIALS: Clamp made of reinforced polyamide black colour; threaded insert in nickel plated brass; bolts and nuts in stainless steel AISI 304.

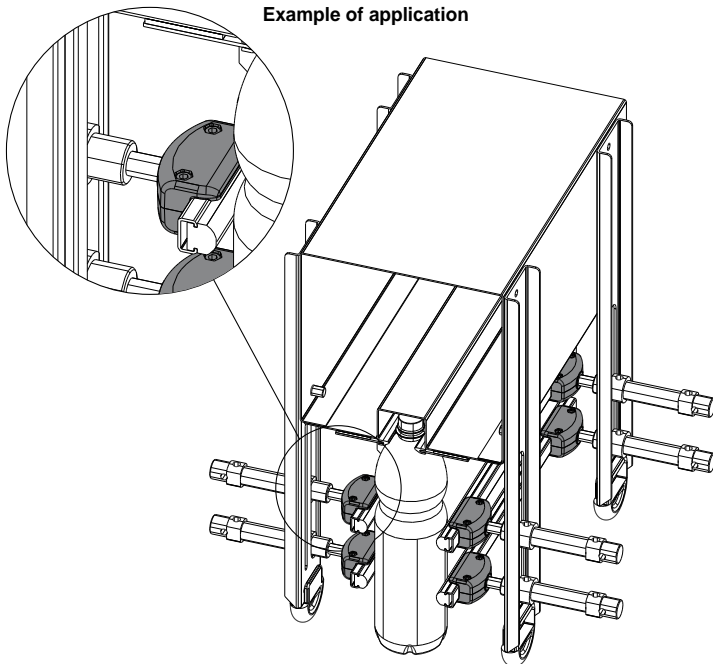
FEATURES: Designed appositely to be assembled directly on the pneumatic cylinder for the rails regulation. Supplied assembled.

BOX QUANTITY: 24 pieces.

ON REQUEST:

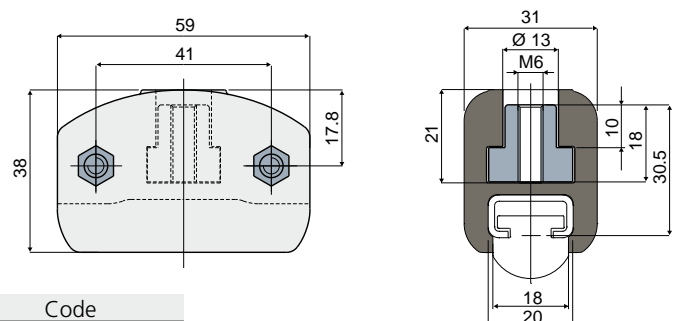
- Clamps: In reinforced polypropylene, other colours.
- Box quantity: According to your request.

Example of application



Guide rail clamp (for rectangular rails)

Part. **349**



Code
349 / 83396

MATERIALS: Clamp made of reinforced polyamide black colour; threaded insert in nickel plated brass; bolts and nuts in stainless steel AISI 304.

FEATURES: Designed appositely to be assembled directly on the pneumatic cylinder for the rails regulation. To be used for the support of the product guide rail Part.373. Supplied assembled.

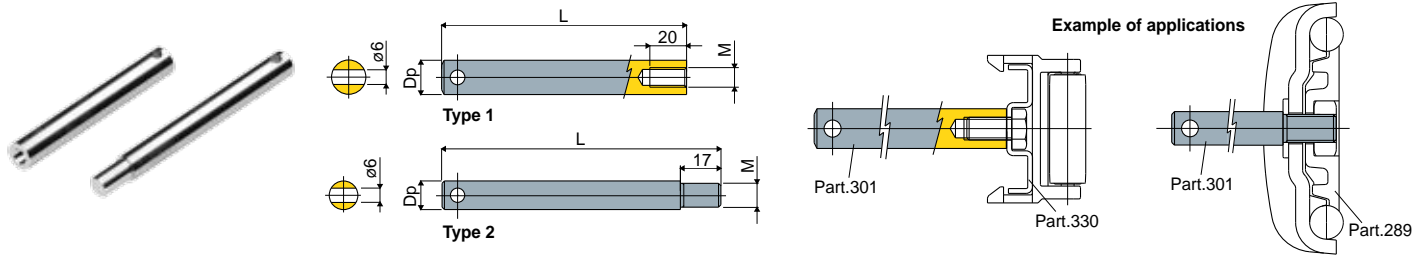
BOX QUANTITY: 24 pieces.

ON REQUEST:

- Clamps: In reinforced polypropylene, other colours.
- Box quantity: According to your request.

Guide rail clamps

Part. 301 Threaded pin



Dp (mm)	L (mm)	M (mm)	Type 1 Code
12	100	M8	301 / 86707
14	100	M8	301 / 82751
16	100	M8	301 / 86708

Dp (mm)	L (mm)	M (mm)	Type 2 Code
12	117	M10	301 / 83304
12	150	M8	301 / 85381
12	167	M10	301 / 84869
12	217	M10	301 / 83871
14	117	M10	301 / 83305
16	117	M10	301 / 83306
16	121	M10	301 / 84109

MATERIALS: Pin made of stainless steel AISI 304.

FEATURES:

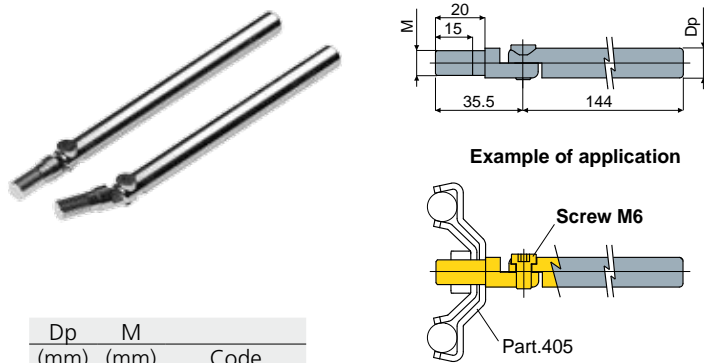
- Type 1: Can be mounted both on guide rail clamps or on side guides;
- Type 2: Used for the mounting of Part. 289, 229, 230, 290, 204, 205.

BOX QUANTITY: 24 pieces.

ON REQUEST:

- Pins: In various lengths.
- Box quantity: According to your request.

Part. 460 Threaded pin for guide rail clamp



Dp (mm)	M (mm)	Code
12	M10	460 / 85470
14	M10	460 / 85566

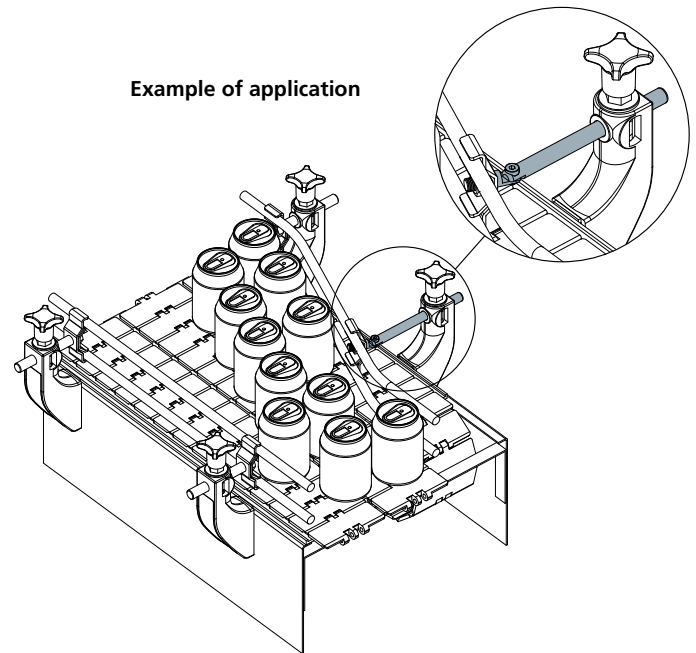
MATERIALS: Pin made of stainless steel AISI 304.

FEATURES: Supplied complete with bolts and nuts.

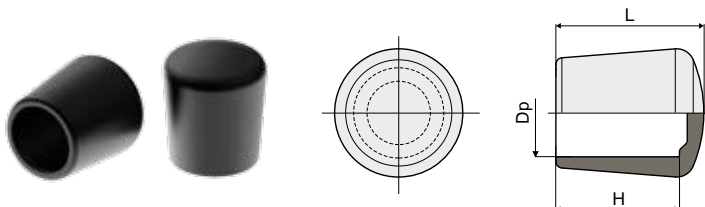
BOX QUANTITY: 24 pieces.

ON REQUEST:

- Pins: In various lengths.
- Box quantity: According to your request.



Part. 398 Cap for pins



Dp (mm)	H (mm)	L (mm)	Code
12	17	21	398 / 84258
14	18	23	398 / 84259
16	20	25	398 / 85592

MATERIALS: Cap made of thermoplastic rubber.

FEATURES: To be applied at the ends of the pins.

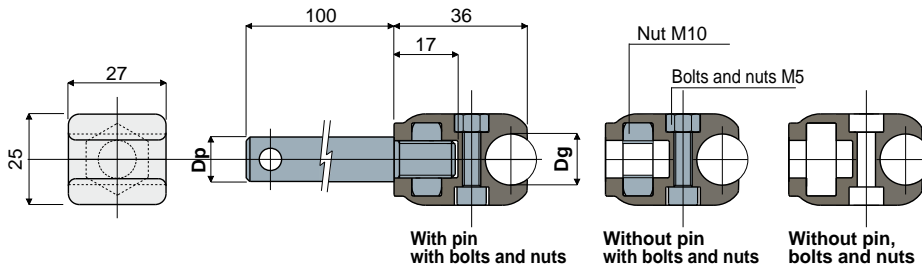
BOX QUANTITY: 24 pieces.

ON REQUEST:

- Box quantity: According to your request.

Guide rail clamps

Guide rail clamp Part. 204 (for round rails)



Dp Pin diameter (mm)	Dg Rail diameter (mm)	With pin with bolts and nuts	
		Code	
12	8	204 / 80798	
	10	204 / 80799	
	12	204 / 80800	
	14	204 / 80801	
14	8	204 / 80802	
	10	204 / 80803	
	12	204 / 80804	
16	14	204 / 80805	
	8	204 / 80806	
	10	204 / 80807	
	12	204 / 80808	
	14	204 / 80809	

Dg Rail diameter (mm)	Without pin with bolts and nuts	
	Code	
8	204 / 80810	
10	204 / 80811	
12	204 / 80812	
14	204 / 80813	

Dg Rail diameter (mm)	Without pin, bolts and nuts	
	Code	
8	204 / 80978	
10	204 / 80979	
12	204 / 80980	
14	204 / 80981	

MATERIALS: Clamp made of reinforced polyamide black colour; pin, bolts and nuts made of stainless steel AISI 304.

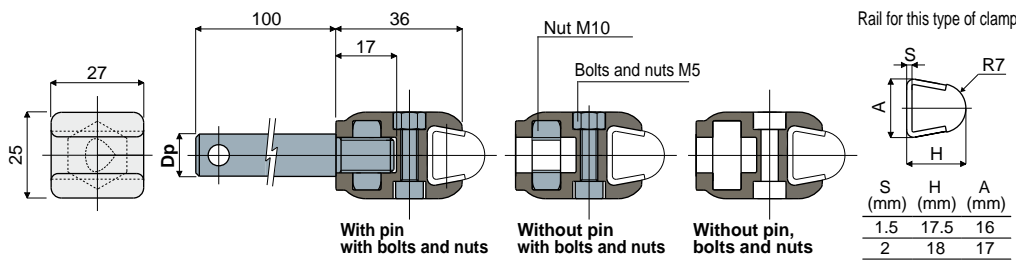
FEATURES: Supplied with or without support pin and with or without bolts and nuts.

BOX QUANTITY: 24 pieces.

ON REQUEST:

- Clamps: In reinforced polypropylene, other colours.
- Box quantity: According to your request.

Guide rail clamp Part. 205 (for trapezoidal rails)



Dp Pin diameter (mm)	With pin with bolts and nuts		Without pin with bolts and nuts	Without pin, bolts and nuts
	Code		Code	Code
12	205 / 80814			
14	205 / 80815		205 / 80817	205 / 80982
16	205 / 80816			

MATERIALS: Clamp made of reinforced polyamide black colour; pin, bolts and nuts made of stainless steel AISI 304.

FEATURES: Supplied with or without support pin and with or without bolts and nuts. With this item it is possible to use thickness 1,5 and 2 mm guides: Part.353, 354, 377, 418, 419, 420, 446, 469, 485, 514.

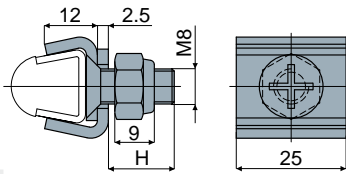
BOX QUANTITY: 24 pieces.

ON REQUEST:

- Clamps: In reinforced polypropylene, other colours.
- Box quantity: According to your request.

Guide rail clamps

Part. 412 Guide rail clamp



H	Code
15	412 / 84487
20	412 / 87351

MATERIALS: Clamp, bolts and nuts made of stainless steel AISI 304.

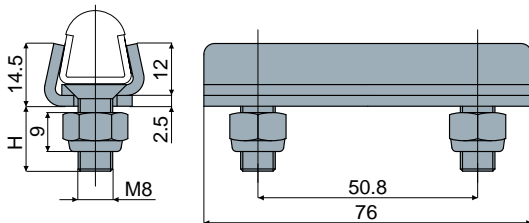
FEATURES: With this item it is possible to use thickness 1,5 and 2 mm guides:
Part.353, 354, 377, 418, 419, 420, 446, 469, 485, 514.

BOX QUANTITY: 24 pieces.

ON REQUEST:

- Box quantity: According to your request.
- Assembly of: Bolts and nuts.

Part. 413 Guide rail clamp (for connection)



H	Code
15	413 / 84488
20	413 / 87361

MATERIALS: Clamp, bolts and nuts made of stainless steel AISI 304.

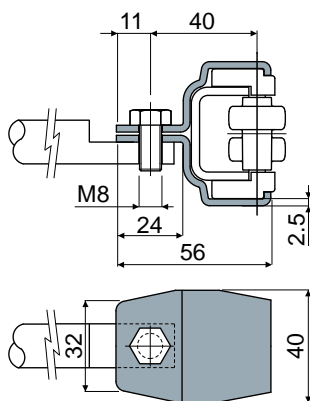
FEATURES: With this item it is possible to use thickness 1,5 and 2 mm guides:
Part.353, 354, 377, 418, 419, 420, 446, 469, 485, 514.

BOX QUANTITY: 24 pieces.

ON REQUEST:

- Box quantity: According to your request.
- Assembly of: Bolts and nuts.

Part. 521 Guide rail clamp (for Part.501, 502)



Material	Code
Zinc plated steel	521 / 87310
Stainless steel AISI 304	521 / 87311

MATERIALS: Clamp made in zinc plated steel or in stainless steel AISI 304.

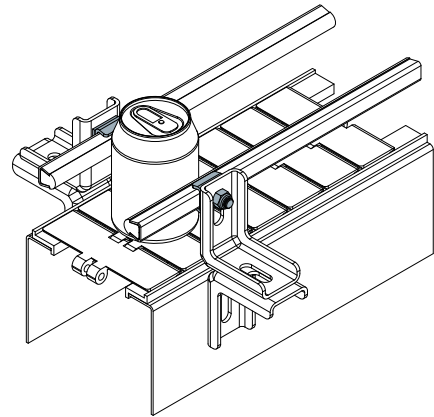
FEATURES: To be used with Part.501, 502. If mounted on double, triple or quadruple type side guides, use a suitable spacer (see drawing opposite).

BOX QUANTITY: 24 pieces.

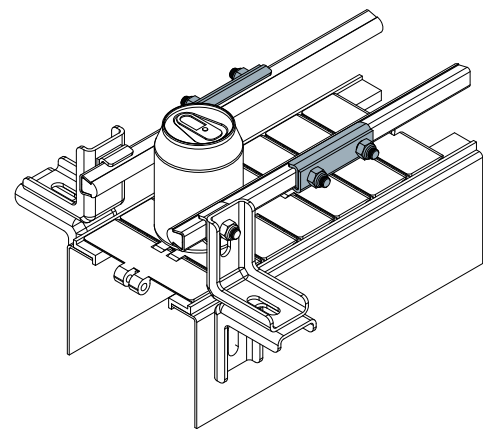
ON REQUEST:

- Box quantity: According to your request.

Example of application

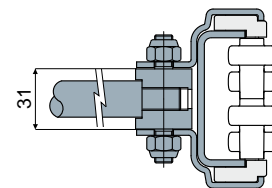


Example of application

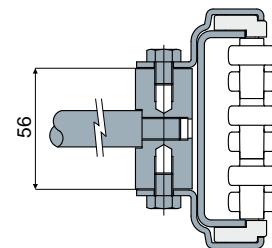


Example of applications

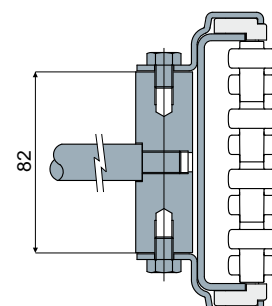
Double type side guide



Triple type side guide

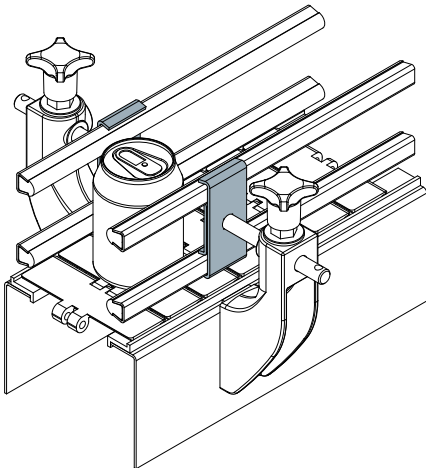


Quadruple type side guide

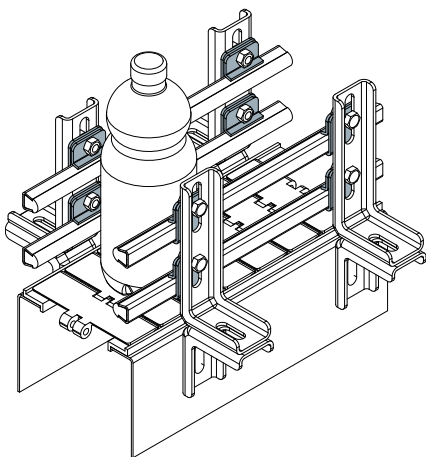


Guide rail clamps

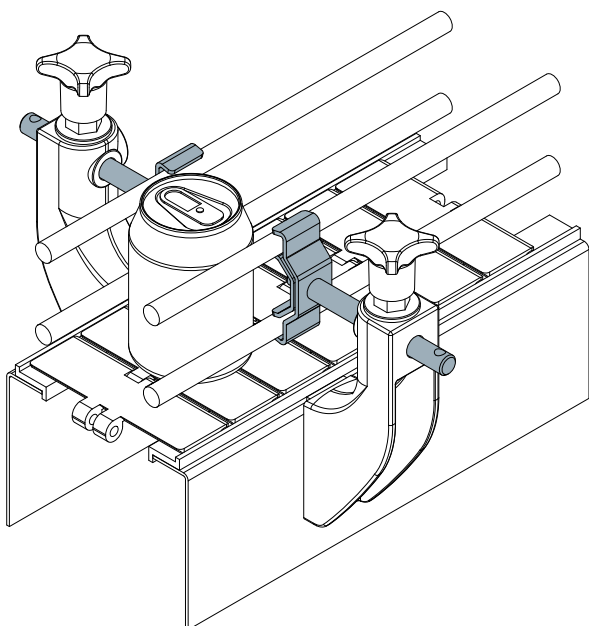
Example of application



Example of application

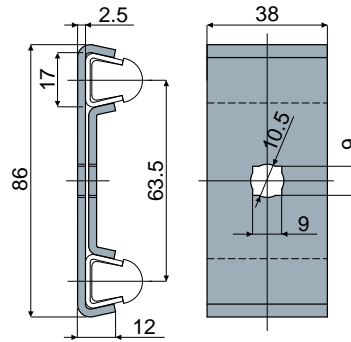


Example of application



Guide rail clamp (double)

Part. **410**



Code
410 / 84485

MATERIALS: Clamp made of stainless steel AISI 304.

FEATURES: With this item it is possible to use thickness 1,5 and 2 mm guides: Part.353, 354, 377, 418, 419, 420, 446, 469, 485, 514.

BOX QUANTITY: 24 pieces.

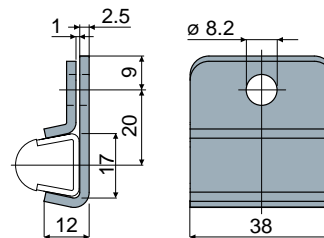
ON REQUEST:

- Box quantity: According to your request.



Guide rail clamp

Part. **411**



Code
411 / 84486

MATERIALS: Clamp made of stainless steel AISI 304.

FEATURES: With this item it is possible to use thickness 1,5 and 2 mm guides: Part.353, 354, 377, 418, 419, 420, 446, 469, 485, 514.

BOX QUANTITY: 24 pieces.

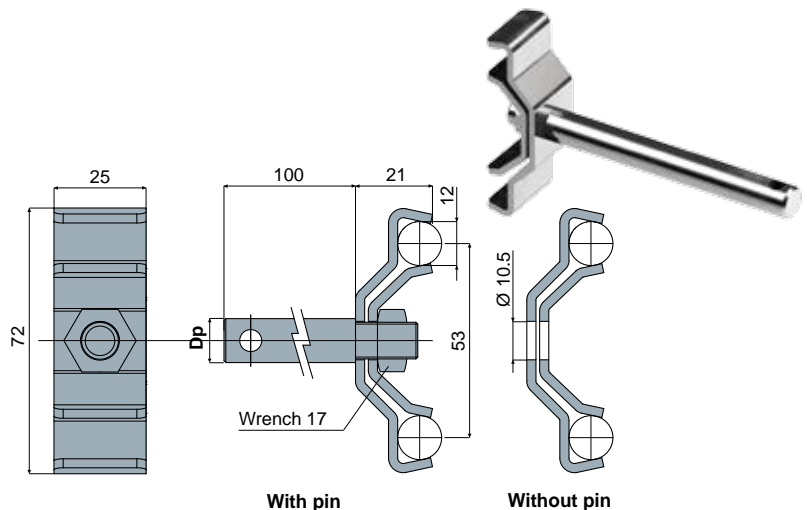
ON REQUEST:

- Box quantity: According to your request.



Guide rail clamp (for round rails)

Part. **405**



Dp Pin diameter (mm)	With pin Code	Without pin Code
12	405 / 84327	
14	405 / 84442	405 / 85101
16	405 / 84443	

MATERIALS: Clamp, mounting plate, nut and threaded pin made of stainless steel AISI 304.

FEATURES: Supplied with or without pin.

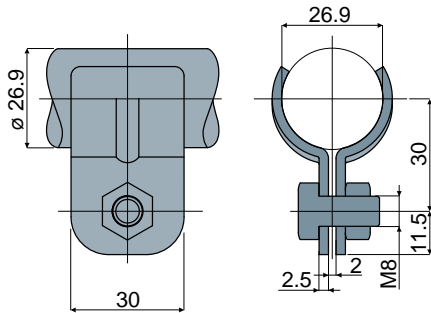
BOX QUANTITY: 24 pieces.

ON REQUEST:

- Box quantity: According to your request.
- Assembly of: Pins, nuts.

Guide rail clamps

Part. 424 Guide rail clamp



Code
424 / 84961

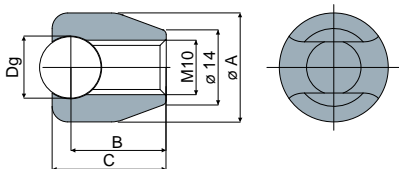
MATERIALS: Clamp, bolts and nuts in stainless steel AISI 304.

BOX QUANTITY: 24 pieces.

ON REQUEST:

- Box quantity: According to your request.
- Assembly of: Bolts and nuts.

Part. 443 Guide rail clamp



Dg Rail diameter (mm)	Code	Ø A (mm)	B (mm)	C (mm)
10	443 / 87657	21	17.5	20
12	443 / 85275	21	18.5	22
14	443 / 87658	21	19.5	24

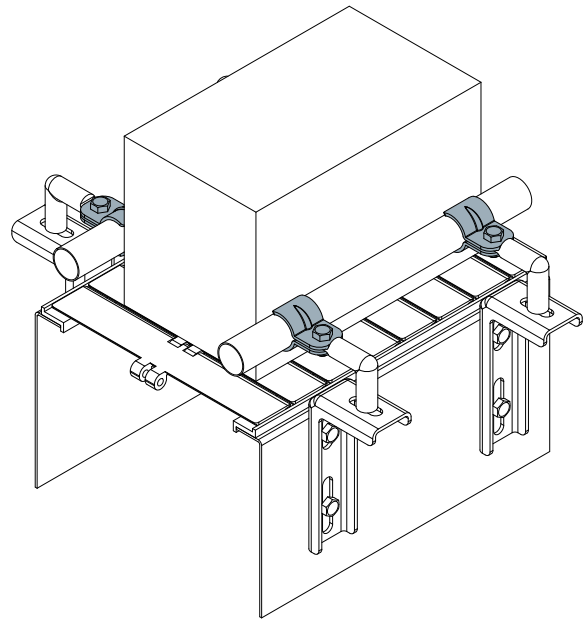
MATERIALS: Clamp made of stainless steel AISI 304.

BOX QUANTITY: 24 pieces.

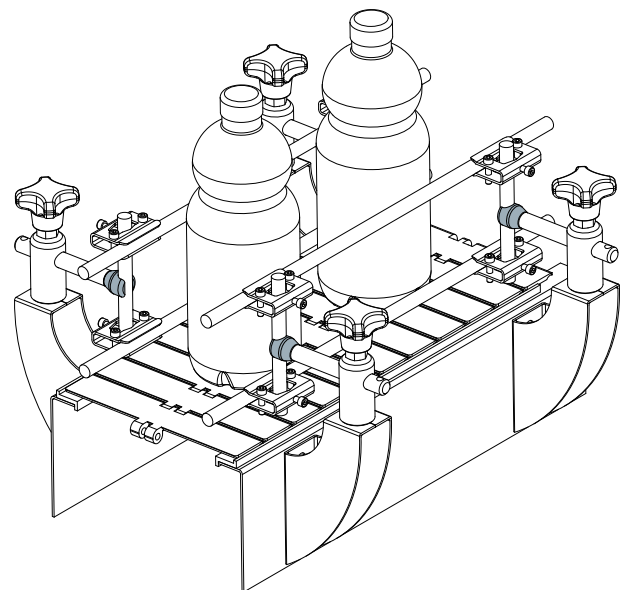
ON REQUEST:

- Box quantity: According to your request.

Example of application

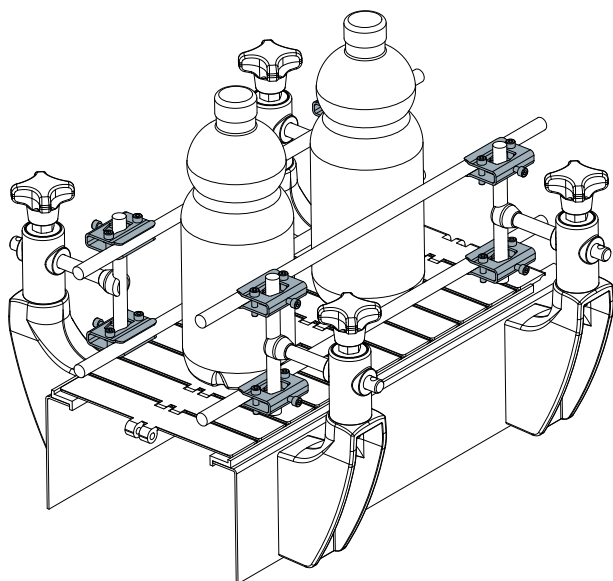


Example of application

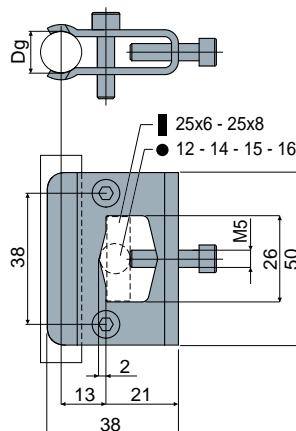


Guide rail clamps

Example of application



Guide rail clamp Part. **440**
(for round rails)



Dg Rail diameter (mm)	Code
12	440 / 85240

MATERIALS: Clamp, bolts and nuts in stainless steel AISI 304.

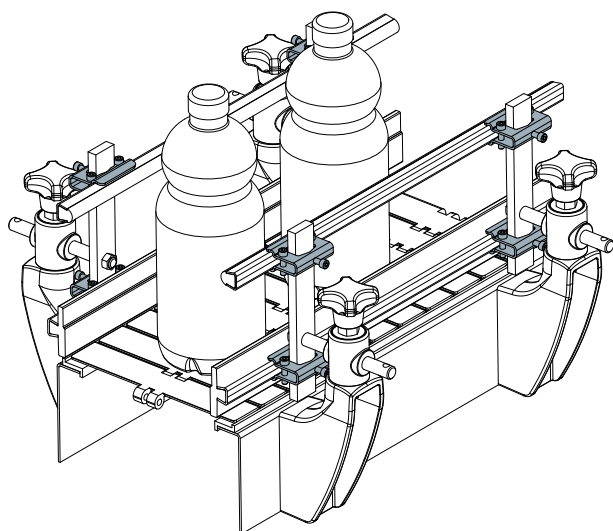
FEATURES: Supplied with bolts and nuts.

BOX QUANTITY: 24 pieces.

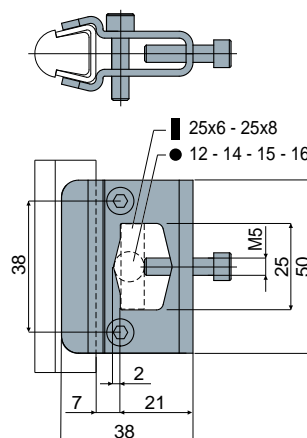
ON REQUEST:

- Box quantity: According to your request.

Example of application



Guide rail clamp Part. **439**
(for trapezoidal rails)



Code
439 / 85239

MATERIALS: Clamp, bolts and nuts in stainless steel AISI 304.

FEATURES: With this item it is possible to use thickness 1,5 and 2 mm guides: Part.353, 354, 377, 418, 419, 420, 446, 469, 485, 514. Supplied with bolts and nuts.

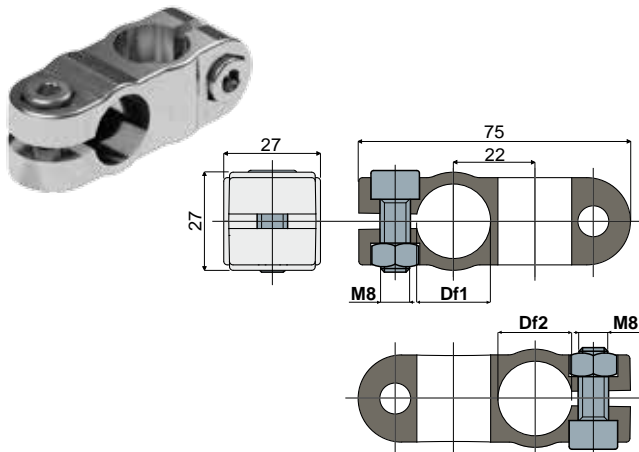
BOX QUANTITY: 24 pieces.

ON REQUEST:

- Box quantity: According to your request.

Guide rail clamps

Part. 470 Cross clamp



Bore for pin of		Version with bolts and nuts	Version without bolts and nuts
Df1 round (mm)	Df2 round (mm)		
16	16	470 / 85598	470 / 86710
16	20	470 / 85599	470 / 86711
20	20	470 / 85600	470 / 86712

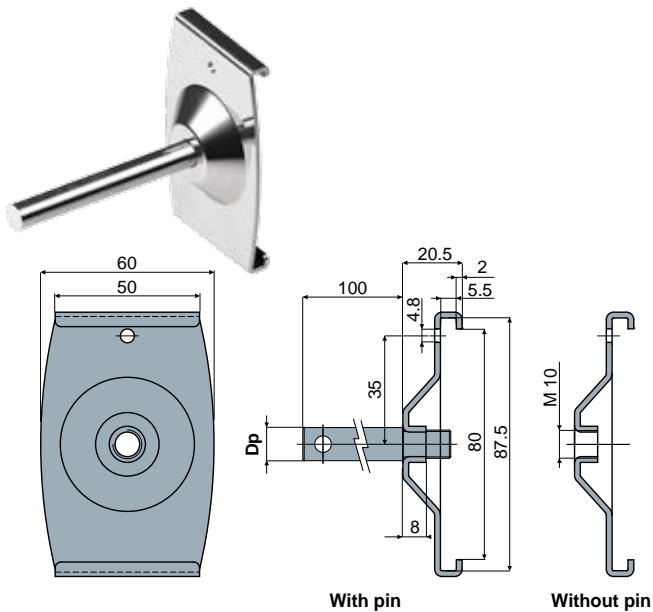
MATERIALS: Clamp, bolts and nuts in stainless steel AISI 304.

BOX QUANTITY: 24 pieces.

ON REQUEST:

- Box quantity: According to your request.

Part. 531 Guide rail clamp



Dp Pin diameter (mm)	With pin Code	Without pin Code
12	531 / 87758	
14	531 / 87759	531 / 87761
16	531 / 87760	

MATERIALS: Clamp, threaded pin, washer and nut in stainless steel AISI 304.

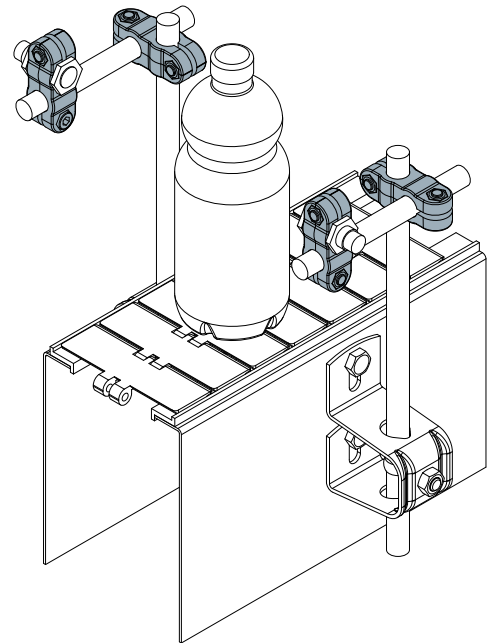
FEATURES: Supplied with or without pin. To be used with side guide Part. 528.

BOX QUANTITY: 24 pieces.

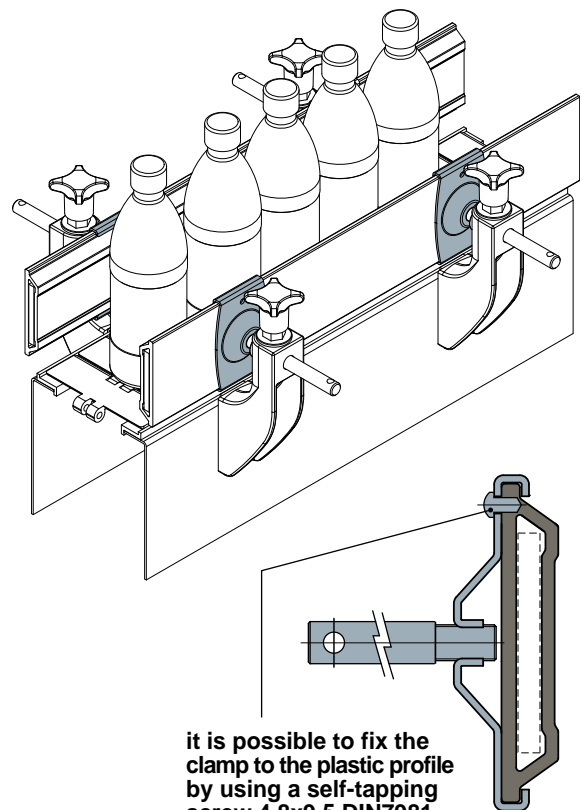
ON REQUEST:

- Assembling of: Pins, washers and nuts.
- Box quantity: According to your request.

Example of application



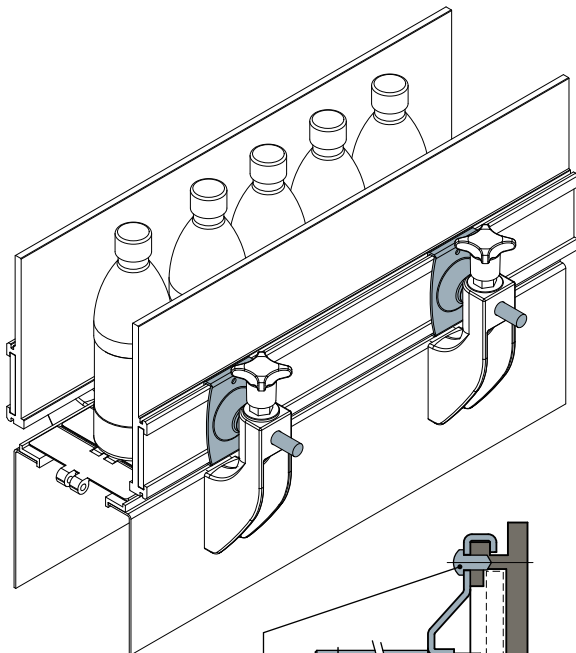
Example of application



it is possible to fix the clamp to the plastic profile by using a self-tapping screw 4,8x9,5 DIN7981

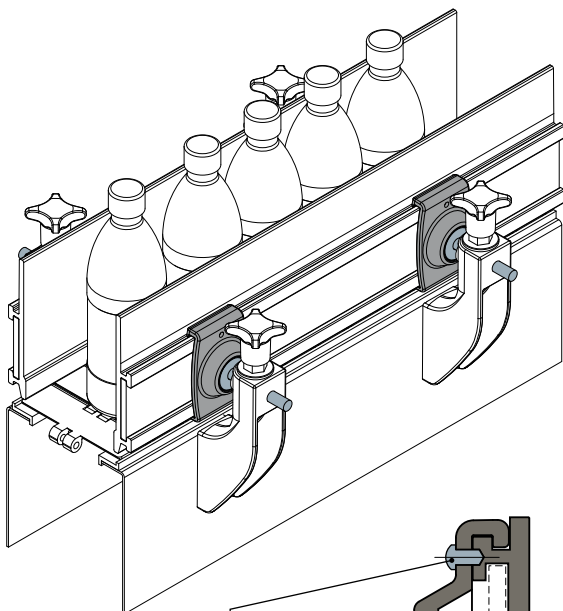
Guide rail clamps

Example of application



it is possible to fix the clamp to the plastic profile by using a self-tapping screw 4,8x9,5 DIN7981

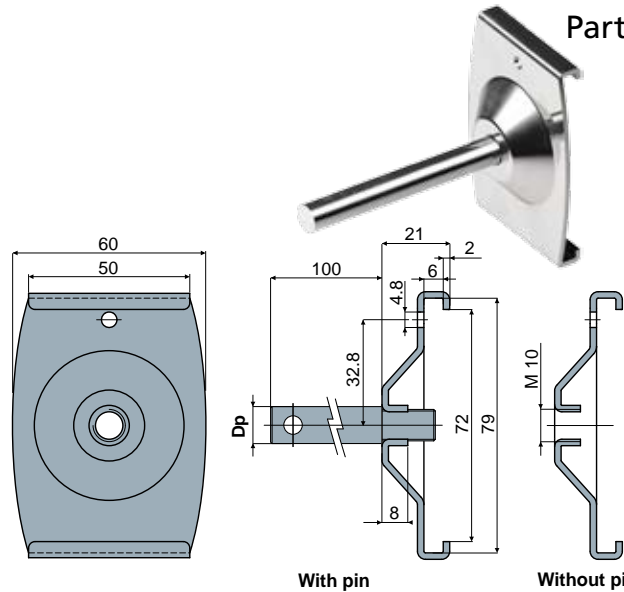
Example of application



it is possible to fix the clamp to the plastic profile by using a self-tapping screw 4,8x9,5 DIN7981

Guide rail clamp

Part. **427**



Dp Pin diameter (mm)	With pin	Without pin
	Code	Code
12	427 / 85097	
14	427 / 85098	427 / 85009
16	427 / 85099	

MATERIALS: Clamp, threaded pin, washer and nut in stainless steel AISI 304.

FEATURES: Supplied with or without pin. To be used with side guides Part. 425, 426, 463.

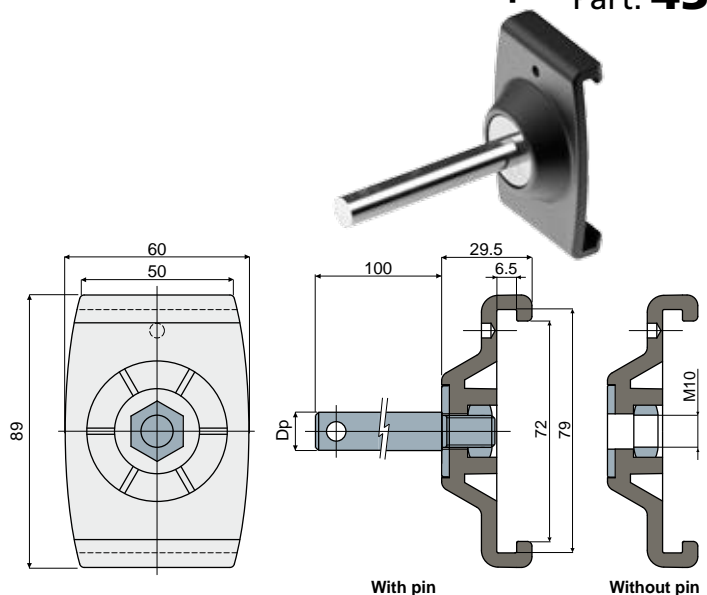
BOX QUANTITY: 24 pieces.

ON REQUEST:

- Assembling of: Pins, washers and nuts.
- Box quantity: According to your request.

Guide rail clamp

Part. **434**



Dp Pin diameter (mm)	With pin	Without pin
	Code	Code
12	434 / 85093	
14	434 / 85094	434 / 85100
16	434 / 85095	

MATERIALS: Clamp is made of reinforced polyamide; threaded pin, washer and nut in stainless steel AISI 304.

FEATURES: Supplied with or without pin. To be used with side guides Part. 425, 426, 463.

BOX QUANTITY: 8 pieces.

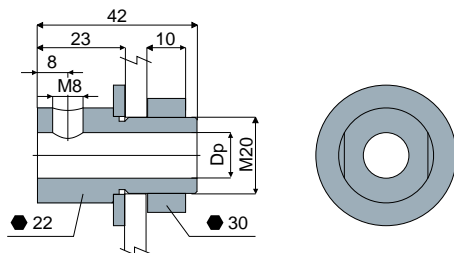
ON REQUEST:

- Assembling of: Pins, washers and nuts.
- Box quantity: According to your request.

Clamps

Part. 537 Pin holder clamp

NEW



Dp Pin diameter (mm)	Code
12	537 / 88744

MATERIALS: Clamp, bolts and nuts in stainless steel AISI 304.

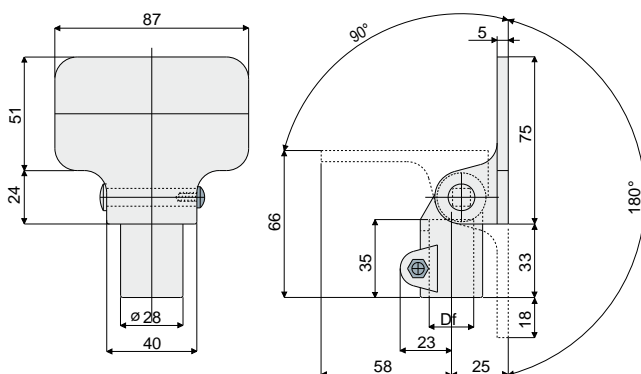
FEATURES: To be used in the air systems for PET bottles.

BOX QUANTITY: 24 pieces.

ON REQUEST:

- Box Quantity: According to your request.

Part. 206 Clamp support for photocells (for photocells and reflectors)



Df Bore for pin of (mm)	Code
12	206 / 82010 (can be used also with square pins 10x10)
14	206 / 80818
15	206 / 80819
16	206 / 80820
18	206 / 80821
20	206 / 80822

MATERIALS: Clamp made of reinforced polyamide black colour; bolts and nuts made of stainless steel AISI 304.

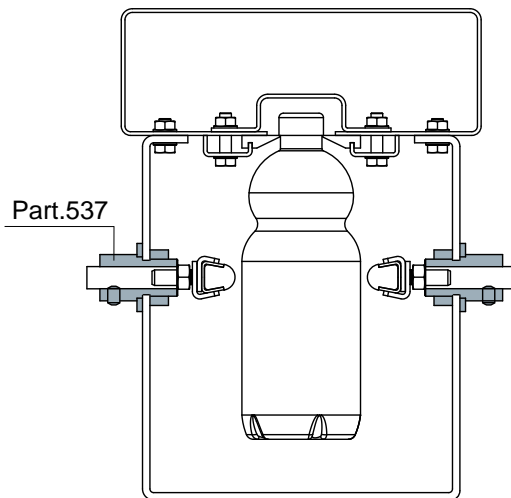
FEATURES: Possibility of assembly in various positions.

BOX QUANTITY: 24 pieces.

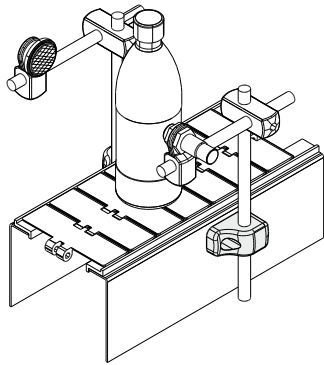
ON REQUEST:

- Clamps: In reinforced polypropylene, other colours.
- Box quantity: According to your request.

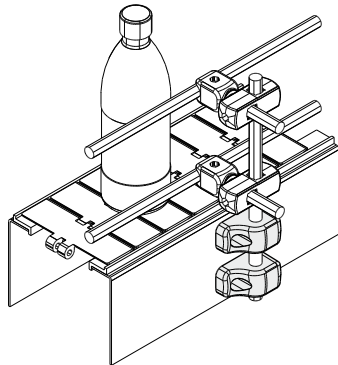
Example of application



Clamps



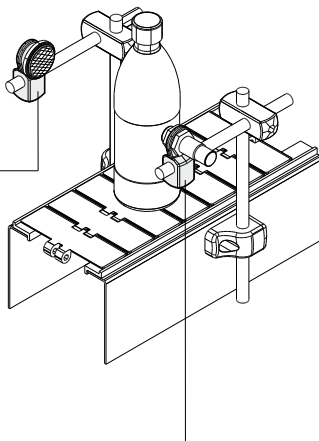
With blocking pin
(Suitable to support photocells)



Without blocking pin
(Suitable to support guide)

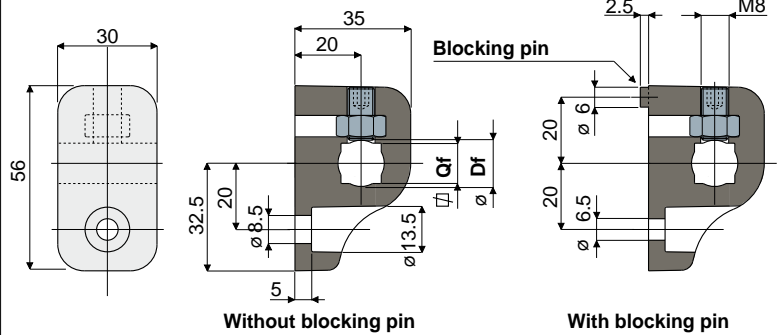
Example of application

Type 2 (For reflectors)



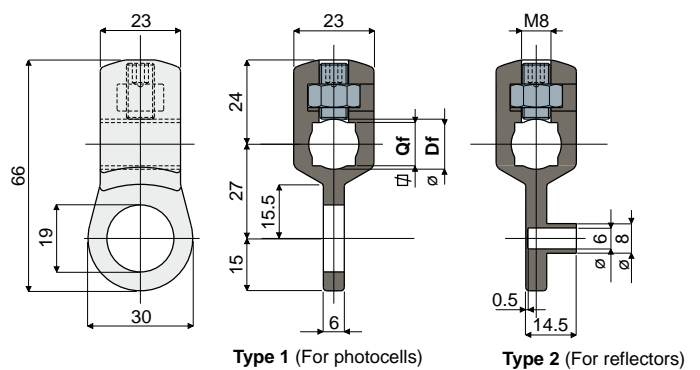
Type 1 (For photocells)

Clamp Part. 237
(to support rails and photocells)



Bore for pin of		Without blocking pin	With blocking pin
Df round (mm)	Qf square (mm)	Code	Code
10	8	237 / 80958	237 / 80961
12	10	237 / 80959	237 / 80962
14	12	237 / 80960	237 / 80963

Clamp support for photocells Part. 240
(for photocells and reflectors)



Bore for pin of		Type 1 (for photocells)	Type 2 (for reflectors)
Df round (mm)	Qf square (mm)	Code	Code
10	8	240 / 80996	240 / 80997
12	10	240 / 80998	240 / 80999
14	12	240 / 81000	240 / 81001

MATERIALS: Clamp made of reinforced polyamide black colour; grub screw and nut made of stainless steel AISI 304.

FEATURES: This part can be used with round and square pins either.

BOX QUANTITY: 24 pieces.

ON REQUEST:

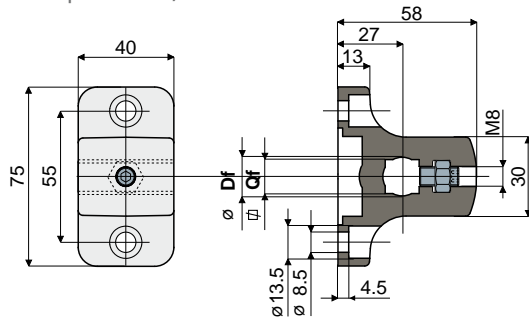
- Clamps: In reinforced polypropylene, other colours.
- Box quantity: According to your request.

Clamps

Part. 539 "T" clamp (to support rails and photocells)



Bore for pin of		Code
Df round (mm)	Qf square (mm)	
16	14	539 / 89101
18	16	539 / 89102
20	18	539 / 89103



MATERIALS: Clamp made of reinforced polyamide black colour; grub screw and nut made of stainless steel AISI 304.

FEATURES: This part can be used with round and square pins either.

BOX QUANTITY: 24 pieces.

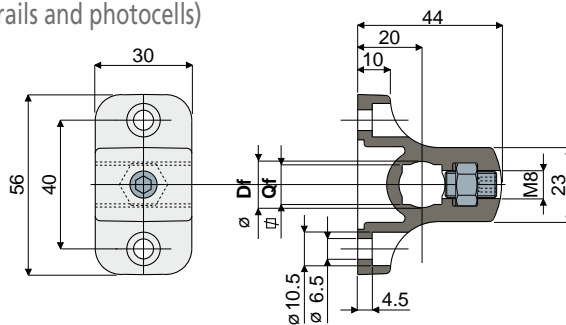
ON REQUEST:

- Clamps: In reinforced polypropylene, other colours.
- Box quantity: According to your request.

Part. 238 "T" clamp (to support rails and photocells)



Bore for pin of		Code
Df round (mm)	Qf square (mm)	
10	8	238 / 80985
12	10	238 / 80986
14	12	238 / 80987



MATERIALS: Clamp made of reinforced polyamide black colour; grub screw and nut made of stainless steel AISI 304.

FEATURES: This part can be used with round and square pins either.

BOX QUANTITY: 24 pieces.

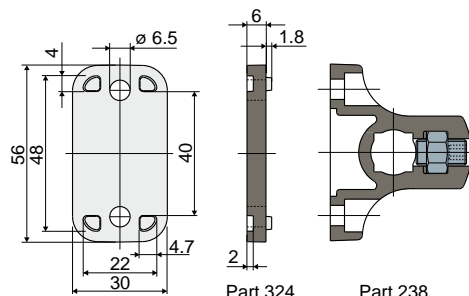
ON REQUEST:

- Clamps: In reinforced polypropylene, other colours.
- Box quantity: According to your request.

Part. 324 Spacer for clamp (for "T" clamp Part. 238)



Code
324 / 82971



MATERIALS: Spacer made of reinforced polyamide black colour.

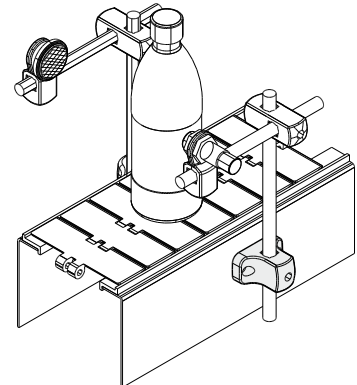
FEATURES: Accessory to be applied to "T" clamp Part.238.

BOX QUANTITY: 24 pieces.

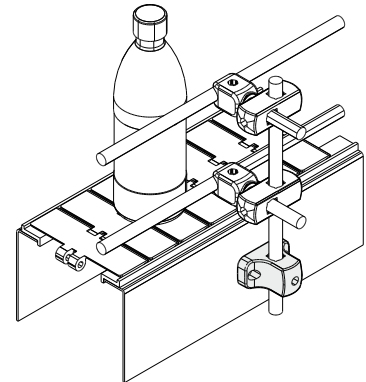
ON REQUEST:

- Spacers: In reinforced polypropylene, other colours.
- Box quantity: According to your request.

Example of applications

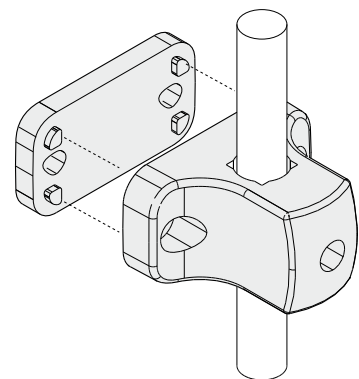


To support photocells



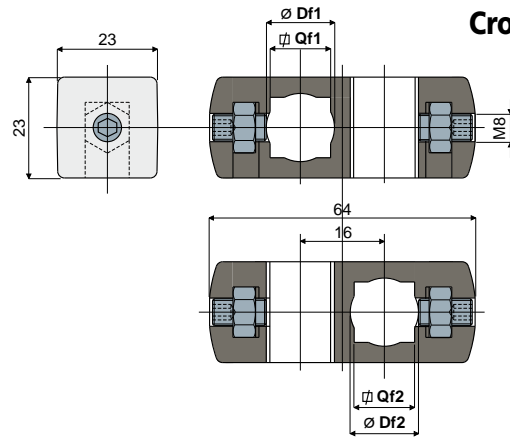
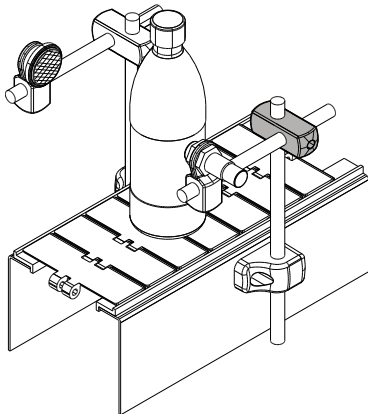
To support guide

Example of application



Clamps

Example of application



Cross clamp Part. **239**



Bore for pin of		Bore for pin of		Code
Df1	Qf1	Df2	Qf2	
round (mm)	square (mm)	round (mm)	square (mm)	
10	8	10	8	239 / 80993
12	10	12	10	239 / 80994
14	12	14	12	239 / 80995

MATERIALS: Clamp made of reinforced polyamide black colour; grub screws and nuts made of stainless steel AISI 304.

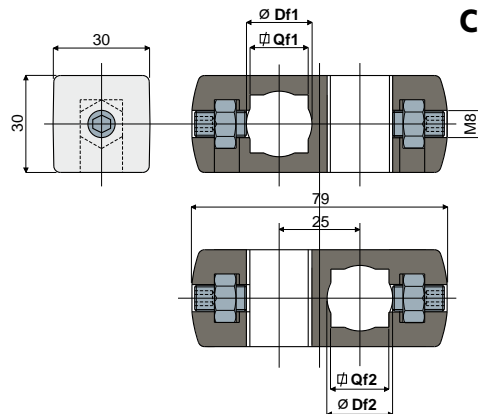
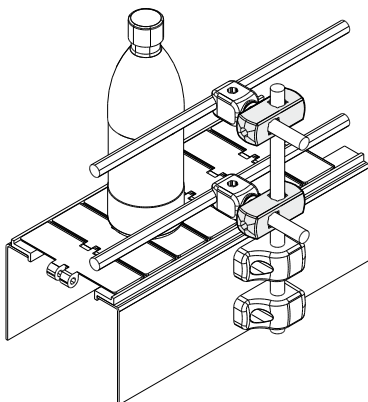
FEATURES: This part can be used with round and square pins either.

BOX QUANTITY: 24 pieces.

ON REQUEST:

- Clamps: With different bores sizes, in reinforced polypropylene, other colours.
- Box quantity: According to your request.

Example of application



Cross clamp Part. **241**



Bore for pin of		Bore for pin of		Code
Df1	Qf1	Df2	Qf2	
round (mm)	square (mm)	round (mm)	square (mm)	
14	12	14	12	241 / 80988
14	12	15	-	241 / 89147 NEW
14	12	16	-	241 / 89149 NEW
14	12	18	-	241 / 82117 NEW
14	12	20	-	241 / 82540 NEW
15	-	15	-	241 / 80989
15	-	16	-	241 / 89148 NEW
15	-	18	-	241 / 89151 NEW
15	-	20	-	241 / 89152 NEW
16	-	16	-	241 / 80990
16	-	18	-	241 / 89150 NEW
16	-	20	-	241 / 82271 NEW
18	-	18	-	241 / 80991
18	-	20	-	241 / 89153 NEW
20	-	20	-	241 / 80992

MATERIALS: Clamp made of reinforced polyamide black colour; grub screws and nuts made of stainless steel AISI 304.

FEATURES: This part can be used with round and square pins either, only in the version Df1 14.

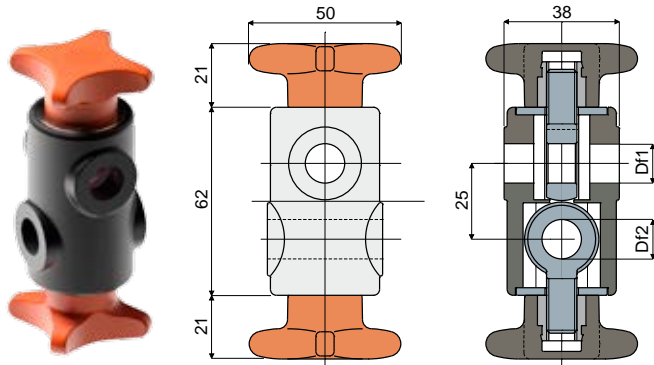
BOX QUANTITY: 24 pieces.

ON REQUEST:

- Clamps: With different bores sizes, in reinforced polypropylene, other colours.
- Box quantity: According to your request.

Clamps

Part. 297 Cross block



Df1 Bore for pin of (mm)	Df2 Bore for pin of (mm)	Code
12	12	297 / 82658

MATERIALS: Housing in reinforced polyamide black colour and knob in reinforced polyamide orange colour; eyebolts in stainless steel AISI 304; threaded insert in nickel plated brass.

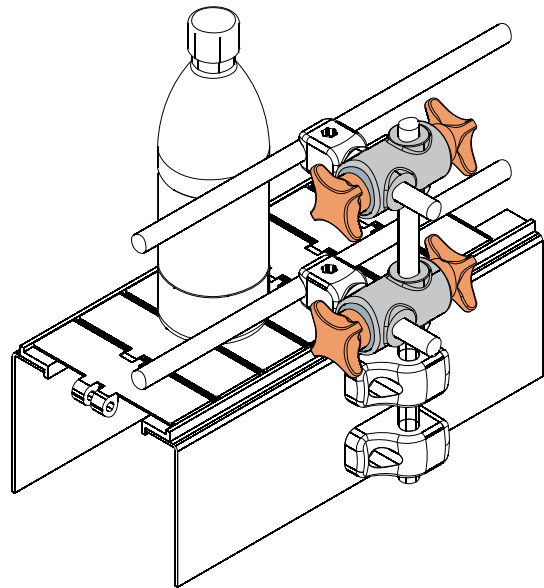
FEATURES: To be used to support the rail-holder pins.

BOX QUANTITY: 24 pieces.

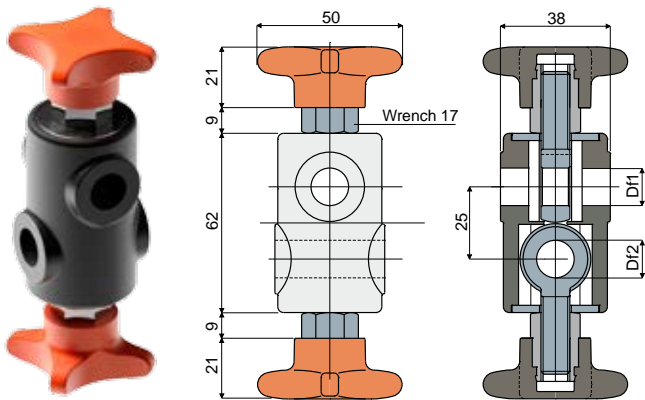
ON REQUEST:

- Housings and Knobs: in reinforced polypropylene, other colours.
- Box quantity: According to your request.

Example of application



Part. 312 Cross block



Df1 Bore for pin of (mm)	Df2 Bore for pin of (mm)	Code
12	12	312 / 82845
12	14	312 / 87811
12	16	312 / 87812
14	14	312 / 82846
14	16	312 / 87813
16	16	312 / 82847

MATERIALS: Housing in reinforced polyamide black colour and knob in reinforced polyamide orange colour; eyebolts in stainless steel AISI 304; threaded insert in nickel plated brass.

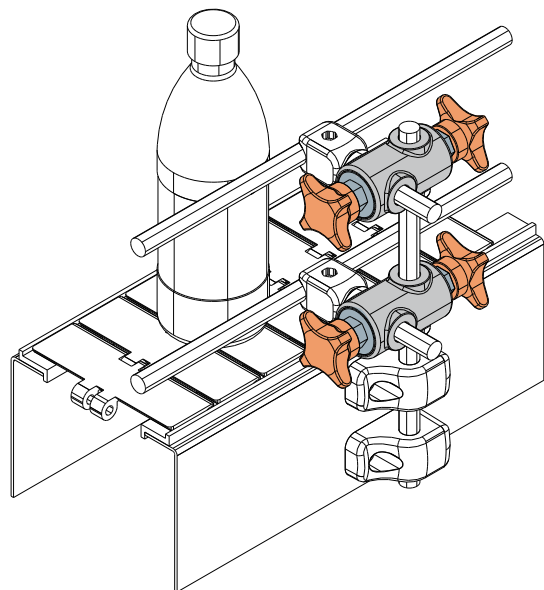
FEATURES: To be used to support the rail-holder pins.

BOX QUANTITY: 24 pieces.

ON REQUEST:

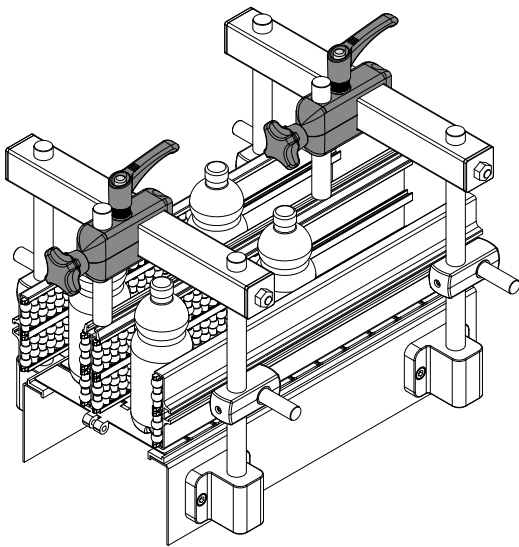
- Housings and Knobs: in reinforced polypropylene, other colours.
- Box quantity: According to your request.

Example of application



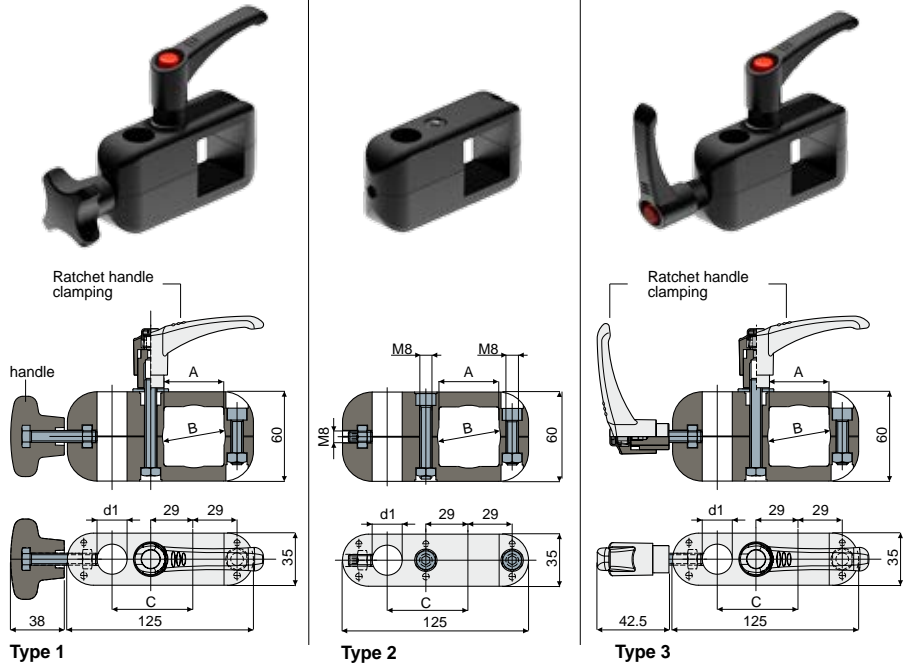
Clamps

Example of application



Cross clamp for central roller guides support

Part. **435**



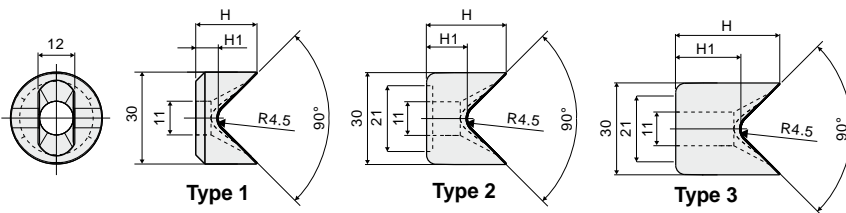
Square tube	Round tube	Pin ø	Type 1	Type 2	Type 3	
A	B	C	d1	Code	Code	Code
40	42,4	58 56	15-16 20	435 / 85166 435 / 85168	435 / 85167 435 / 85169	435 / 86692 435 / 86691

MATERIALS: Clamp and handles are made of reinforced polyamide black colour; nuts, screws and washer in stainless steel AISI 304.
FEATURES: They are used to support the central rollers side guides.
BOX QUANTITY: 8 pieces.

ON REQUEST:

- **Assembling of:** Handles, bolts and nuts.
- **Box quantity:** According to your request.

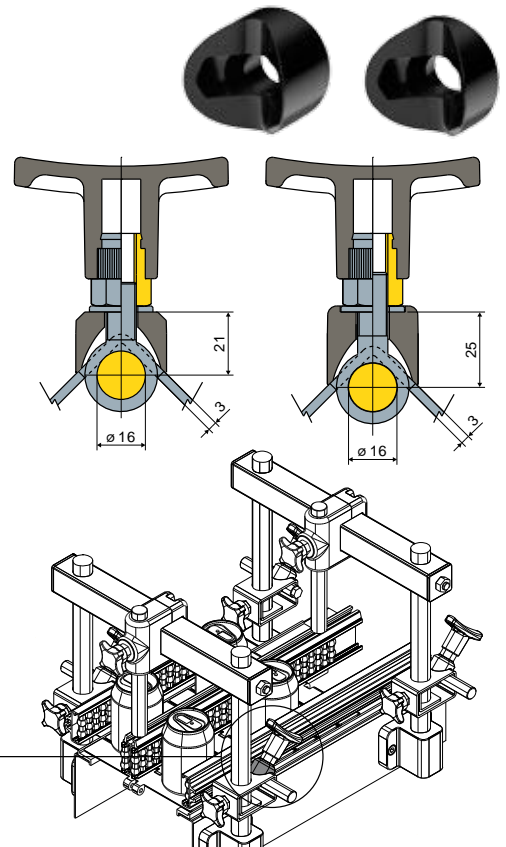
Bushing for eyebolt Part. **333**



H	H1	Type 1
(mm)	(mm)	Code
20	7,3	333 / 83117

H	H1	Type 2
(mm)	(mm)	Code
26	13,3	333 / 83115

H	H1	Type 3
(mm)	(mm)	Code
34	21,3	333 / 84025



MATERIALS: Bushing made of reinforced polyamide black colour.
FEATURES: To be used with the eyebolts to block the pins holding the transport guides.
BOX QUANTITY: 24 pieces.

ON REQUEST:

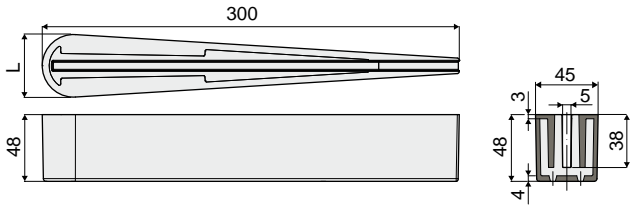
- **Bushings:** With different heights, in reinforced polypropylene, other colours.
- **Box quantity:** According to your request.

Shoes

Part. 428 Product guide shoe



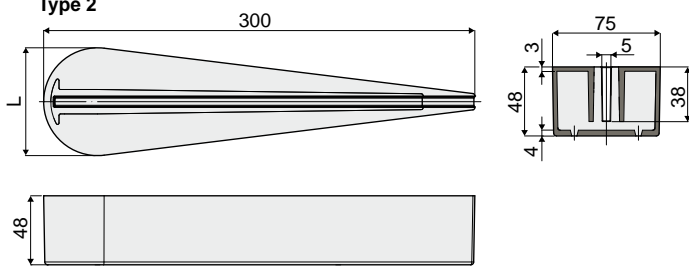
Type 1



L (mm)	Type 1 Code
45	428 / 85063



Type 2



L (mm)	Type 2 Code
75	428 / 85064

MATERIALS: Internal part made of reinforced polypropylene, black colour; external covering in HD polyethylene, black colour.

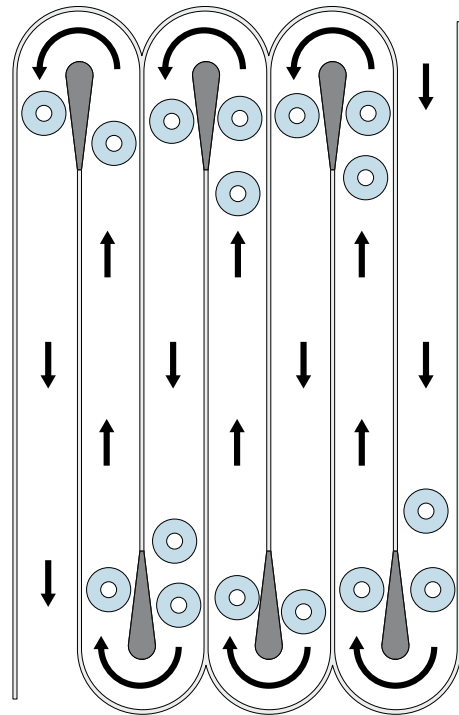
FEATURES: To be used as product guide in the conveyor systems.

BOX QUANTITY: 12 pieces.

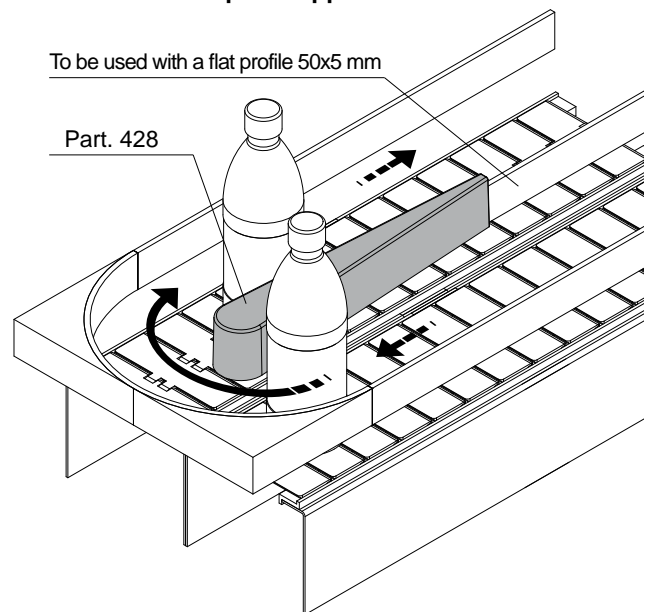
ON REQUEST:

- Box quantity: According to your request.

Example of application

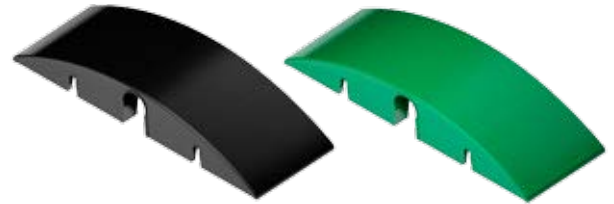
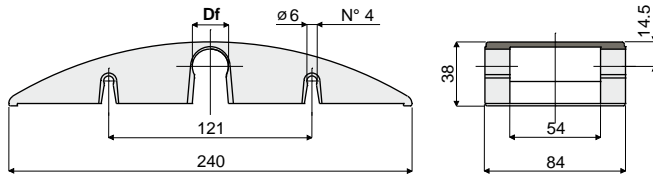


Example of application



Shoes

Self-adjusting sliding shoe for chain return Part. 267



Df Bore for pin of (mm)	Polyamide (black)	Polyethylene (green)
	Code	Code
18	267 / 82038	267 / 82812
20	267 / 82039	267 / 82813

MATERIALS: Sliding shoe is made of polyamide black colour or of polyethylene green colour.

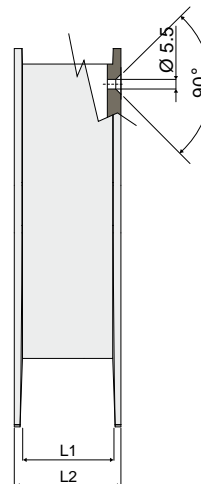
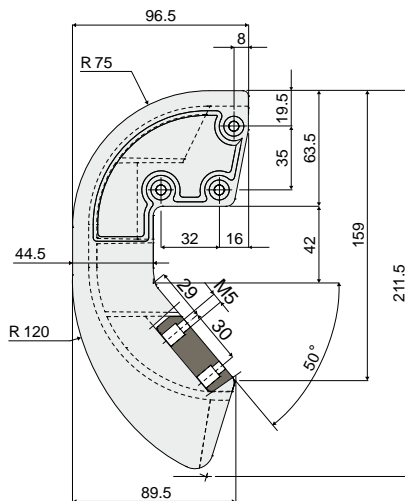
FEATURES: To be assembled in the chain return near to the sprocket. Snap-on assembly.

BOX QUANTITY: 12 pieces.

ON REQUEST:

- Sliding shoes: Other bore sizes, and colours.
- Box quantity: According to your request.

Shoe for chain return Part. 359 (for "Raised Rib" chains)



Code	L1	L2	L3 (Chain width)
359 / 83504	41	50	38,5
359 / 83503	49	58,5	47

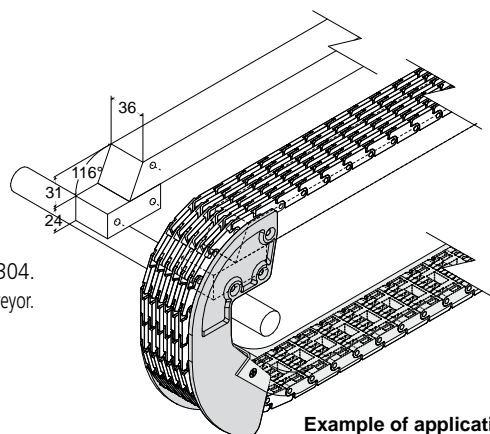
MATERIALS: Shoe in black polyethylene; screws in stainless steel AISI 304.

FEATURES: Supplied complete with screws. To be used in the idler part of the conveyor.

BOX QUANTITY: 8 pieces.

ON REQUEST:

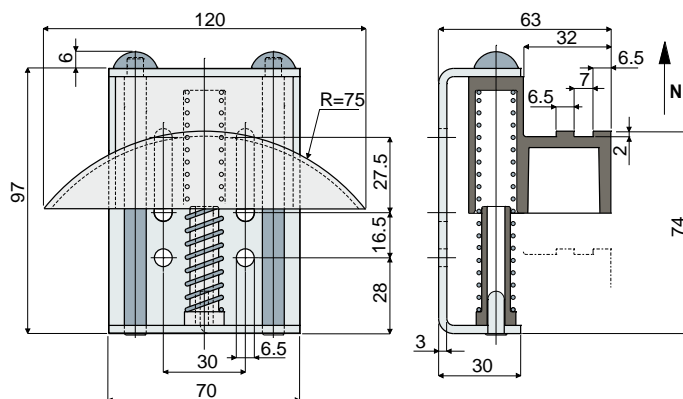
- Shoes: Other colours.
- Box quantity: According to your request.



Example of application

Chain tensioners

Part. 277 Chain tensioner with sliding shoe (for roller chains type DIN 8187 08-B1 and 08-B2)



Code	Min. tension load (N)	Max. tension load (N)
277 / 82068	60	110

MATERIALS: External part, pin and spring are made of zinc plated steel; sliding shoe and spring guide are made of polyamide black colour.

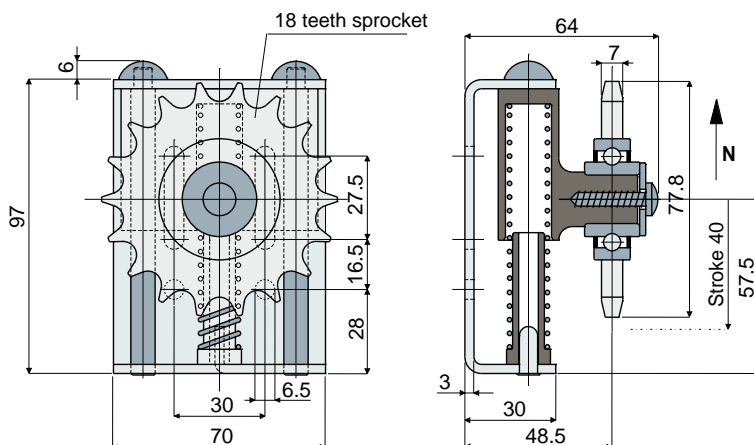
FEATURES: To be assembled in the transmissions with roller chain to stretch it.

BOX QUANTITY: 12 pieces.

ON REQUEST:

- Sliding shoes: Different shapes for different chains, other colours.
- Box quantity: According to your request.

Part. 278 Chain tensioner with sprocket (for roller chains type DIN 8187 08-B1)



Code	Min. tension load (N)	Max. tension load (N)
278 / 82069	60	110

MATERIALS: External part, sprocket, pins and spring are made of zinc plated steel; cursor and spring guide are made of polyamide black colour.

FEATURES: To be assembled in the transmissions with roller chain to stretch it.

BOX QUANTITY: 12 pieces.

ON REQUEST:

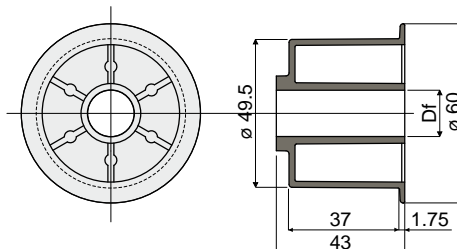
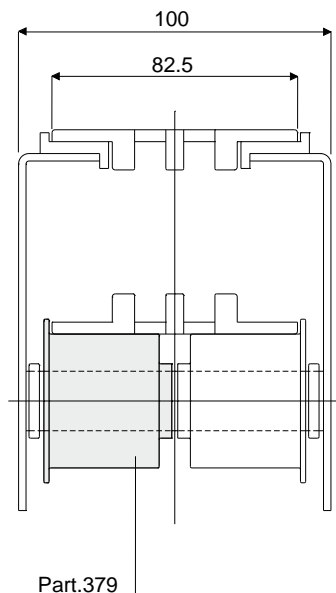
- Sprockets: With other number of teeth.
- Box quantity: According to your request.

Return rollers

Roller for chain return (with flange)

Part. **379**

Example of application



Df Bore for pin of (mm)	Code
15	379 / 84069
20	379 / 84070

MATERIALS: Roller made of reinforced polyamide, black colour.

FEATURES: To be assembled in the chain return.

BOX QUANTITY: 96 pieces.

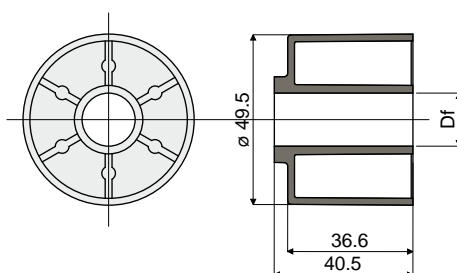
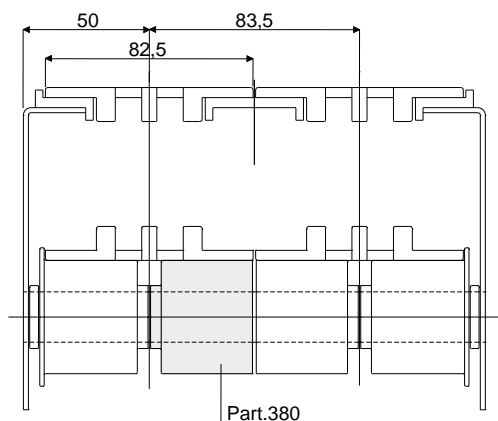
ON REQUEST:

- Rollers: with special bores, in different colours.
- Box quantity: According to your request.

Roller for chain return (without flange)

Part. **380**

Example of application



Df Bore for pin of (mm)	Code
15	380 / 84071
20	380 / 84072

MATERIALS: Roller made of reinforced polyamide, black colour.

FEATURES: To be assembled in the chain return.

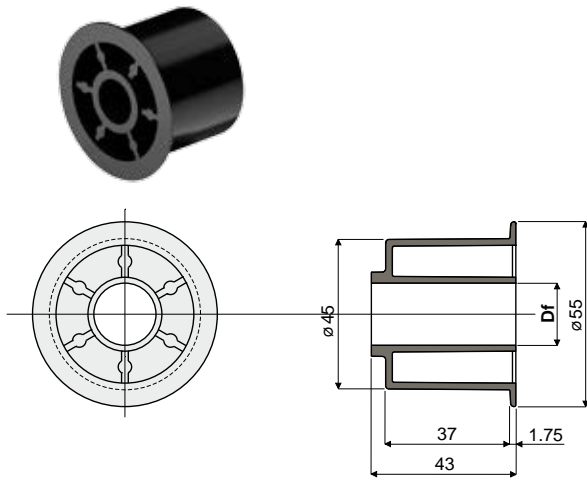
BOX QUANTITY: 96 pieces.

ON REQUEST:

- Rollers: With special bores, in different colours.
- Box quantity: According to your request.

Return rollers

Part. 270 Roller for chain return (with flange)



Df Bore for pin of (mm)	Code
15	270 / 82042
20	270 / 82043

MATERIALS: Roller made of polyamide black colour.

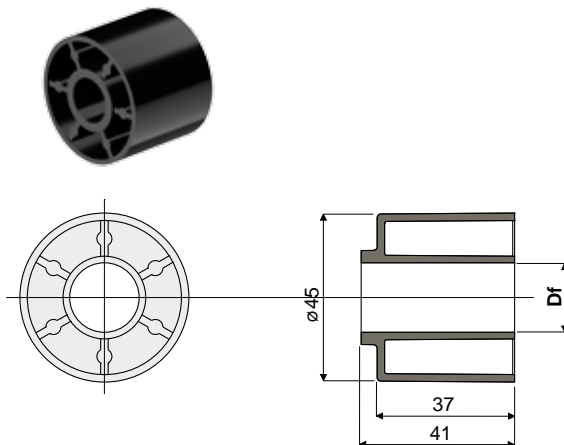
FEATURES: To be assembled in the chain return.

BOX QUANTITY: 96 pieces.

ON REQUEST:

- Rollers: Special bores, other colours.
- Box quantity: According to your request.

Part. 271 Roller for chain return (without flange)



Df Bore for pin of (mm)	Code
15	271 / 82044
20	271 / 82045

MATERIALS: Roller made of polyamide black colour.

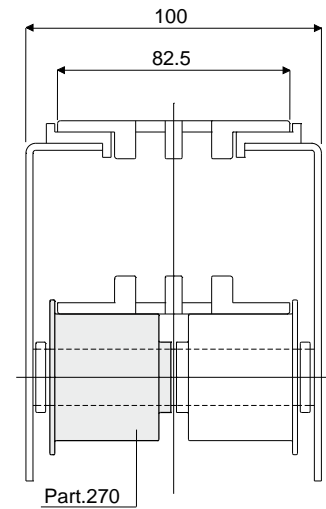
FEATURES: To be assembled in the chain return.

BOX QUANTITY: 96 pieces.

ON REQUEST:

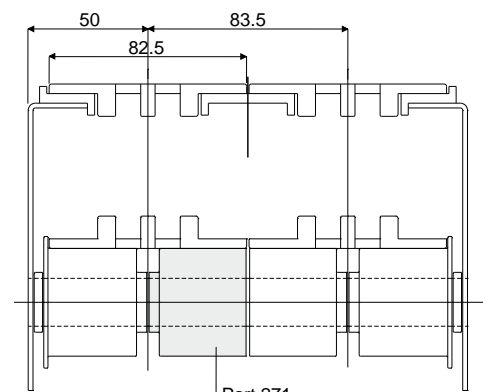
- Rollers: Special bores, other colours.
- Box quantity: According to your request.

Example of application



Part.270

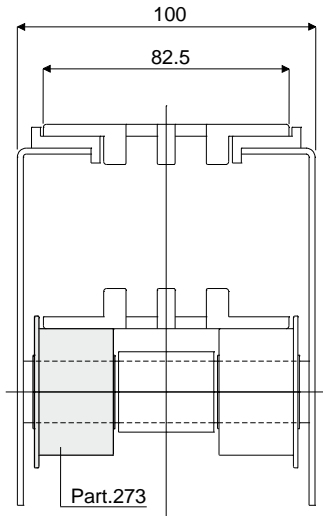
Example of application



Part.271

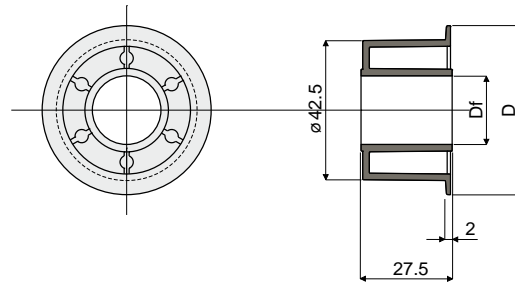
Return rollers

Example of application



Roller for chain return (with flange)

Part. **273**



Df Bore for pin of (mm)	D = 51	D = 55
	Code	Code
12	273 / 82048	273 / 85337
16	273 / 82049	273 / 85338
18	273 / 82050	273 / 85339
20	273 / 82051	273 / 85340

MATERIALS: Roller made of polyamide black colour.

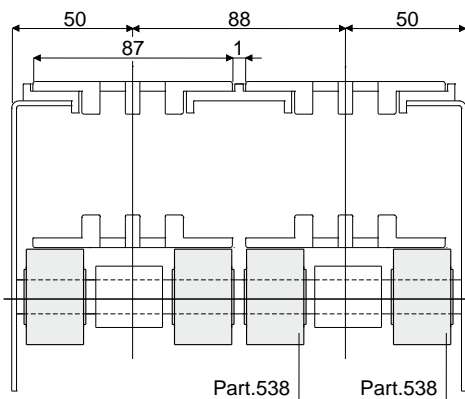
FEATURES: To be assembled in the chain return.

BOX QUANTITY: 96 pieces.

ON REQUEST:

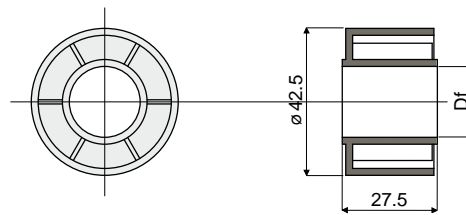
- Rollers: Special bores, other colours.
- Box quantity: According to your request.

Example of application



Roller for chain return (without flange)

Part. **538**



NEW

Df Bore for pin of (mm)	Code
12	538 / 88821
16	538 / 88822
18	538 / 88823
20	538 / 88824

MATERIALS: Roller made of polyamide black colour.

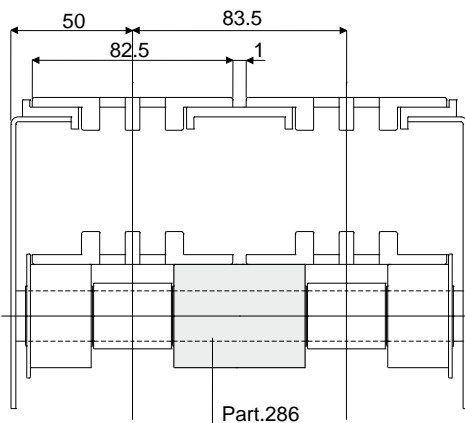
FEATURES: To be assembled in the chain return.

BOX QUANTITY: 96 pieces.

ON REQUEST:

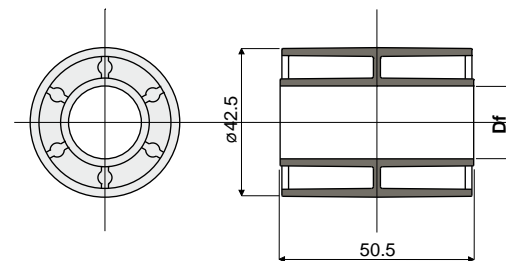
- Rollers: Special bores, other colours.
- Box quantity: According to your request.

Example of application



Double roller for chain return (without flange)

Part. **286**



Df Bore for pin of (mm)	Code
12	286 / 82532
16	286 / 82533
18	286 / 82534
20	286 / 82535

MATERIALS: Roller made of polyamide black colour.

FEATURES: To be assembled in the chain return.

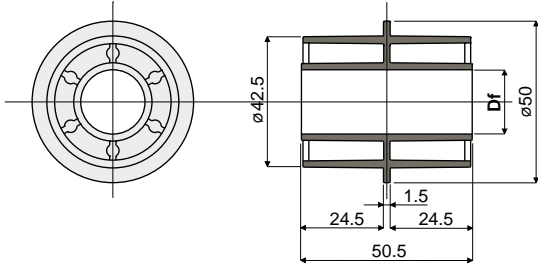
BOX QUANTITY: 96 pieces.

ON REQUEST:

- Rollers: Special bores, other colours.
- Box quantity: According to your request.

Return rollers

Part. 287 Double roller for chain return (with central flange)



Df Bore for pin of (mm)	Code
12	287 / 82536
16	287 / 82537
18	287 / 82538
20	287 / 82539

MATERIALS: Roller made of polyamide black colour.

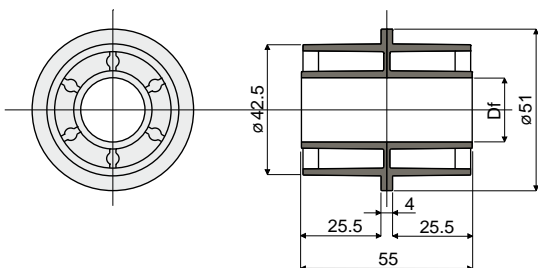
FEATURES: To be assembled in the chain return.

BOX QUANTITY: 96 pieces.

ON REQUEST:

- Rollers: Special bores, other colours.
- Box quantity: According to your request.

Part. 274 Double roller for chain return (with central flange)



Df Bore for pin of (mm)	Code
12	274 / 82052
16	274 / 82053
18	274 / 82054
20	274 / 82055

MATERIALS: Roller made of polyamide black colour.

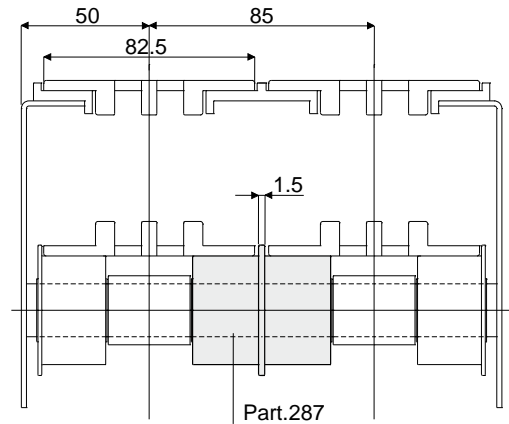
FEATURES: To be assembled in the chain return.

BOX QUANTITY: 96 pieces.

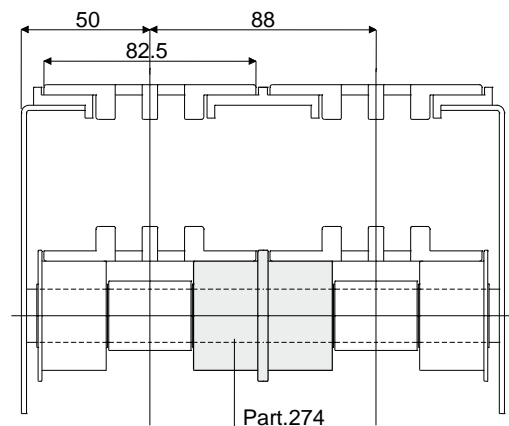
ON REQUEST:

- Rollers: Special bores, other colours.
- Box quantity: According to your request.

Example of application

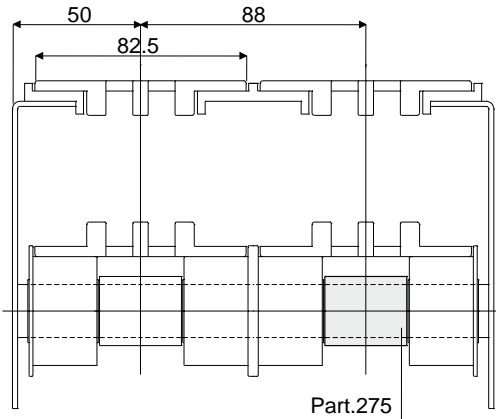


Example of application

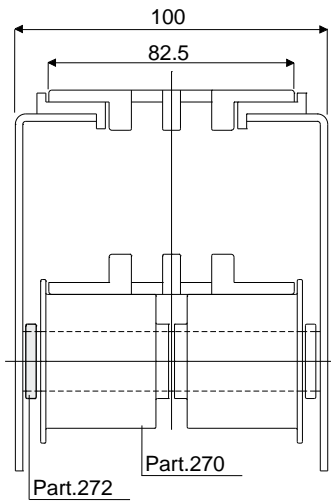


Return rollers

Example of application

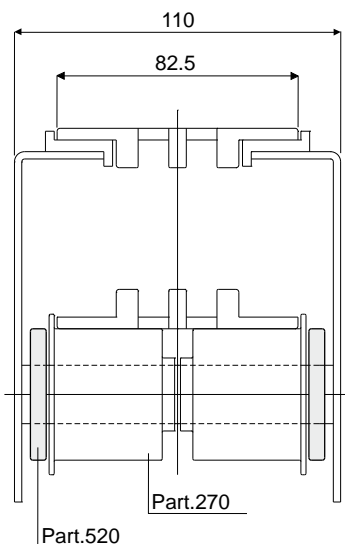


Example of application



Part.272

Example of application



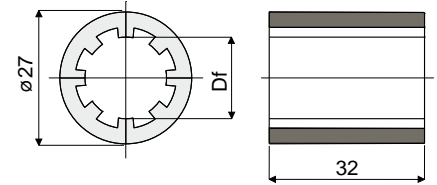
Part.270

Spacer for rollers for chain return

Part. **275**



Df Bore for pin of (mm)	Code
12	275 / 82056
16	275 / 82057
18	275 / 82058
20	275 / 82059



MATERIALS: Spacer made of polyamide black colour.
FEATURES: To be used as a spacer between the rollers.
BOX QUANTITY: 96 pieces.
ON REQUEST:

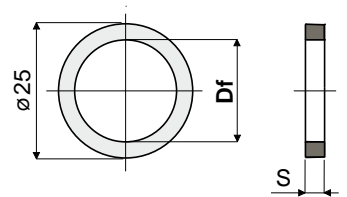
- Spacers: Special bores, other colours.
- Box quantity: According to your request.

Spacer for rollers for chain return

Part. **272**



Df Bore for pin of (mm)	S	Code
15	3,5	272 / 82046
	3,5	272 / 83331
16	5	272 / 86091
	3,5	272 / 82047
20	3,5	272 / 82047
	5	272 / 85186



MATERIALS: Spacer made of polyamide black colour.
FEATURES: To be used as a spacer between the rollers.
BOX QUANTITY: 96 pieces.
ON REQUEST:

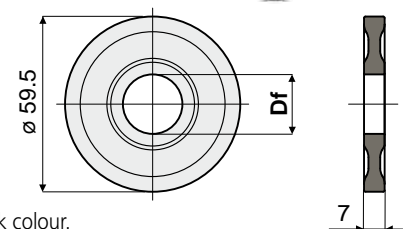
- Spacers: Special bores, other colours.
- Box quantity: According to your request.

Spacer for rollers for chain return

Part. **520**



Df Bore for pin of (mm)	Code
20	520 / 87264

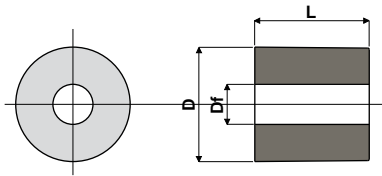


MATERIALS: Spacer made of polypropylene black colour.
FEATURES: To be used as a spacer between the rollers.
BOX QUANTITY: 96 pieces.
ON REQUEST:

- Spacers: Special bores, other colours.
- Box quantity: According to your request.

Return rollers

Part. 302 Spacer for chain profiles



Df Bore diameter (mm)	D (mm)	L (mm)	Code
7	20	20	302 / 82797
7	20	27,5	302 / 82873

MATERIALS: Spacer made of reinforced polyamide black colour.

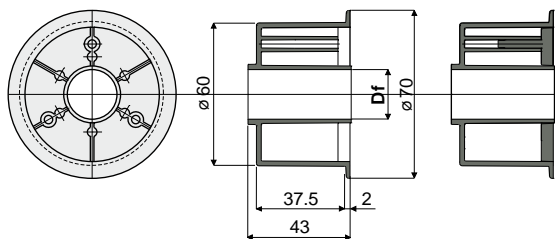
FEATURES: To be used as fixing spacer for chain profiles.

BOX QUANTITY: 96 pieces.

ON REQUEST:

- Spacers: With special bores and sizes.
- Box quantity: According to your request.

Part. 250 Roller for chain return (with flange)



Without closure cap

With closure cap

Df Bore for pin of (mm)	Without closure cap	With closure cap
	Code	Code
15	250 / 82201	250 / 82219
16	250 / 82202	250 / 82220
18	250 / 82203	250 / 82221
20	250 / 82204	250 / 82222

MATERIALS: Roller made out of polyamide black colour; cap made out of polyamide grey colour.

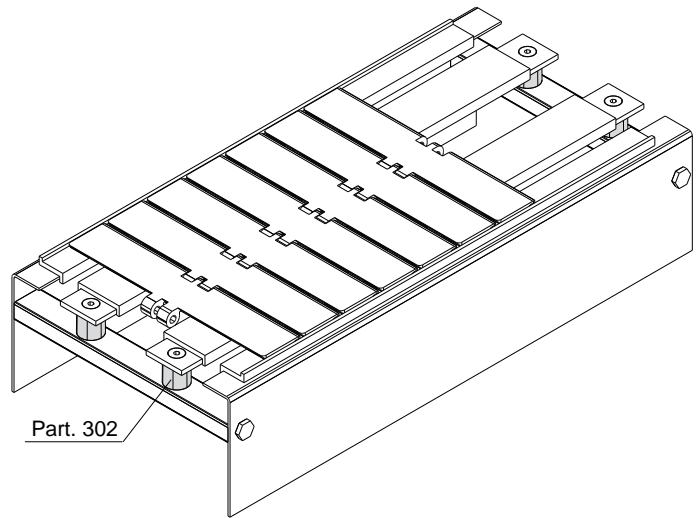
FEATURES: To be assembled in the chain return.

BOX QUANTITY: 96 pieces.

ON REQUEST:

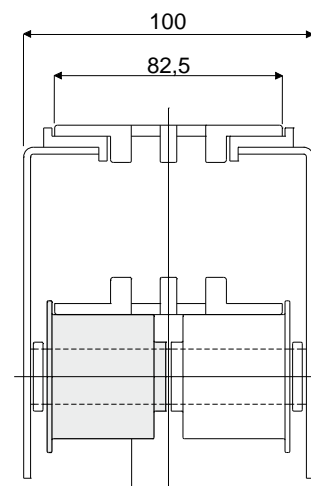
- Rollers: Special bores, other colours.
- Box quantity: According to your request.

Example of application



Part. 302

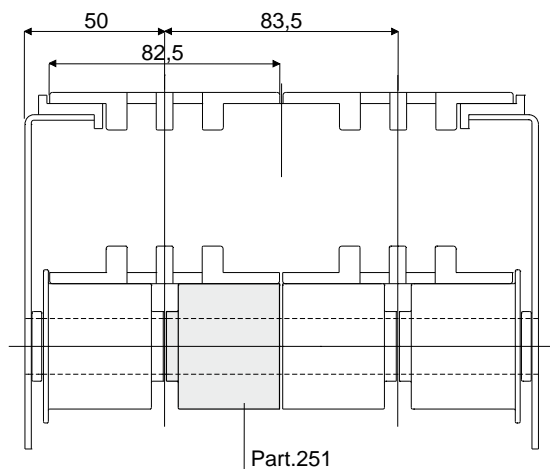
Example of application



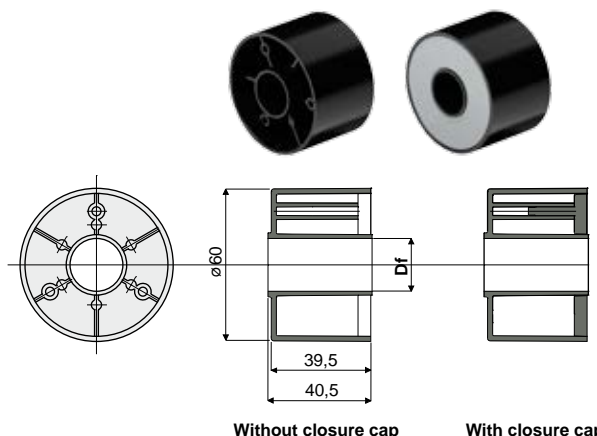
Part.250

Return rollers

Example of application



Roller for chain return (without flange) Part. 251



Df	Without closure cap	With closure cap
Bore for pin of (mm)	Code	Code
15	251 / 82205	251 / 82223
16	251 / 82206	251 / 82224
18	251 / 82207	251 / 82225
20	251 / 82208	251 / 82226

MATERIALS: Roller made out of polyamide black colour; cap made out of polyamide grey colour.

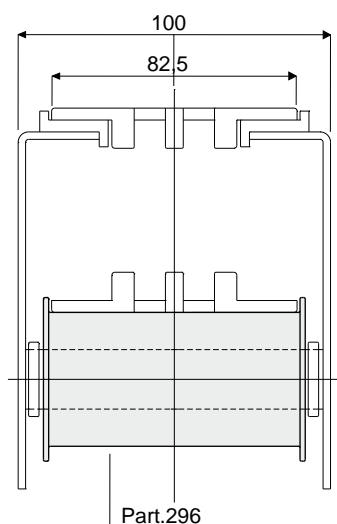
FEATURES: To be assembled in the chain return.

BOX QUANTITY: 96 pieces.

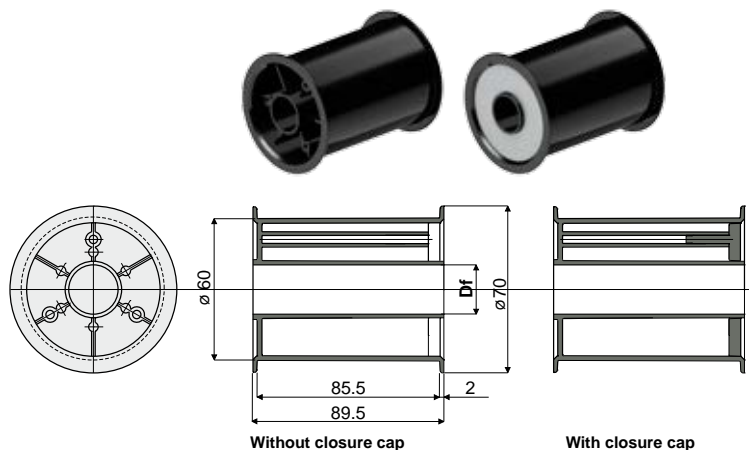
ON REQUEST:

- Rollers: Special bores, other colours.
- Box quantity: According to your request.

Example of application



Roller for chain return (with double flange) Part. 296



Df	Without closure cap	With closure cap
Bore for pin of (mm)	Code	Code
12	296 / 82611	296 / 82612
14	296 / 82613	296 / 82614
15	296 / 82615	296 / 82616
16	296 / 82617	296 / 82618
18	296 / 82619	296 / 82620
20	296 / 82621	296 / 82622

MATERIALS: Roller made out of polyamide black colour; cap made out of polyamide grey colour.

FEATURES: To be assembled in the chain return.

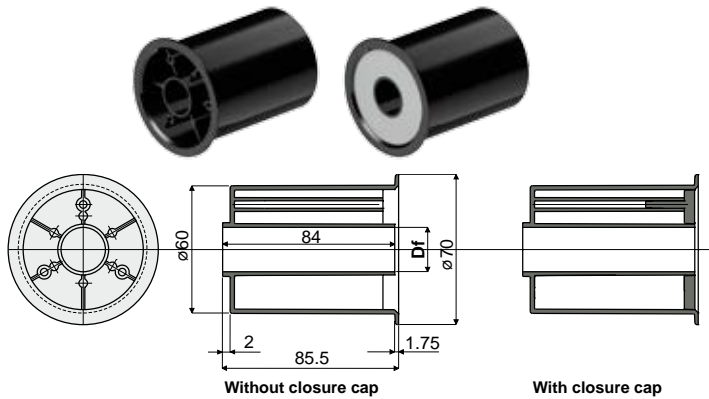
BOX QUANTITY: 48 pieces.

ON REQUEST:

- Rollers: Special bores, other colours.
- Box quantity: According to your request.

Return rollers

Part. 252 Roller for chain return (with flange)



Df Bore for pin of (mm)	Without closure cap		With closure cap	
	Code		Code	
12	252 / 82624		252 / 82625	
14	252 / 82258		252 / 82259	
15	252 / 82227		252 / 82231	
16	252 / 82228		252 / 82232	
18	252 / 82229		252 / 82233	
20	252 / 82230		252 / 82234	
25	252 / 83307		-	
30	252 / 83309		-	

MATERIALS: Roller made out of polyamide black colour; cap made out of polyamide grey colour.

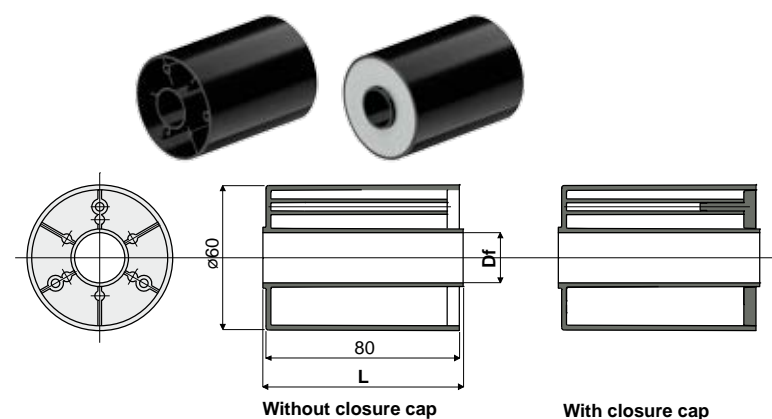
FEATURES: To be assembled in the chain return.

BOX QUANTITY: 48 pieces.

ON REQUEST:

- Rollers: Special bores, other colours.
- Box quantity: According to your request.

Part. 253 Roller for chain return (without flange)



Df Bore for pin of (mm)	Without closure cap		With closure cap	
	L = 82 mm Code	L = 84 mm Code	L = 82 mm Code	L = 84 mm Code
12	253 / 82626	253 / 82627	253 / 82628	253 / 82629
14	253 / 82260	253 / 82261	253 / 82262	253 / 82263
15	253 / 82235	253 / 82239	253 / 82243	253 / 82247
16	253 / 82236	253 / 82240	253 / 82244	253 / 82248
18	253 / 82237	253 / 82241	253 / 82245	253 / 82249
20	253 / 82238	253 / 82242	253 / 82246	253 / 82250
25	-	253 / 83313	-	-
30	-	253 / 83314	-	-

MATERIALS: Roller made out of polyamide black colour; cap made out of polyamide grey colour.

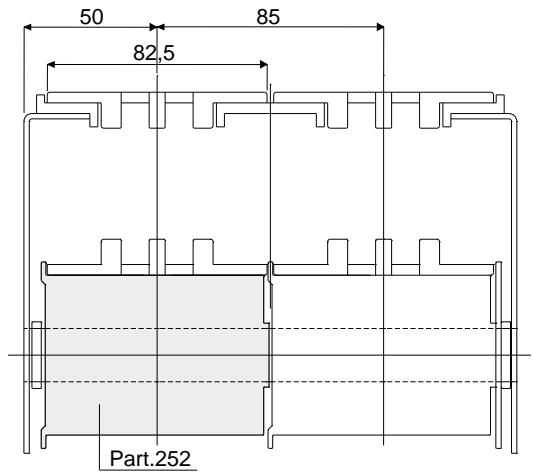
FEATURES: To be assembled in the chain return.

BOX QUANTITY: 48 pieces.

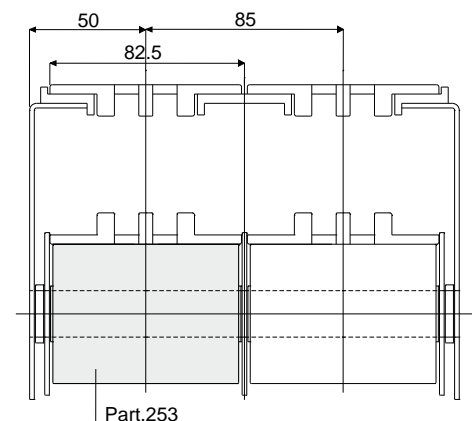
ON REQUEST:

- Rollers: Special bores, other colours.
- Box quantity: According to your request.

Example of application

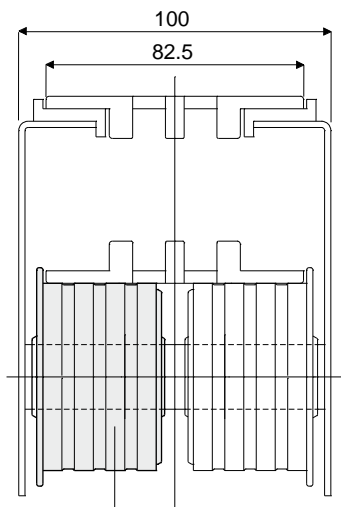


Example of application



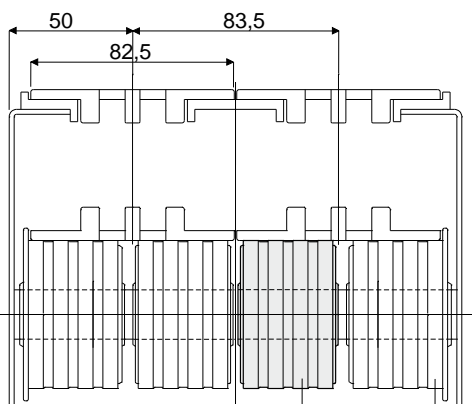
Return rollers

Example of application



Part.249

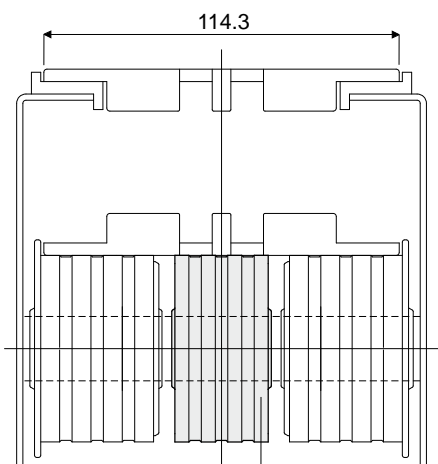
Example of application



Part.245

Part.249

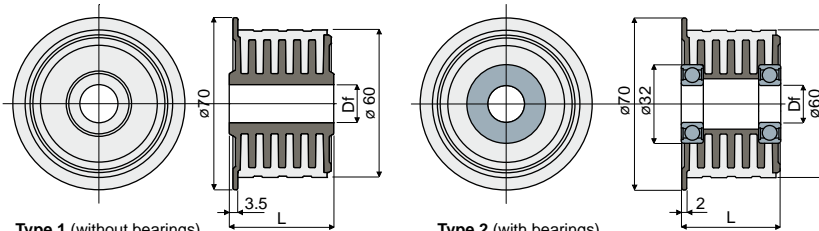
Example of application



Part.399

Roller with rubber for chain return (with flange)

Part. **249**



Type 1 (without bearings)

Type 2 (with bearings)

Df Bore for pin of (mm)	L (mm)	Type 1 (without bearings) Code
15	22	249 / 85346
15	43	249 / 82021
16	22	249 / 85347
16	43	249 / 82022
18	22	249 / 85348
18	43	249 / 82023
20	22	249 / 85349
20	43	249 / 82024

MATERIALS: Internal part is made of polyamide black colour; external rubber is made of thermoplastic rubber grey colour 65 Shore; bearing made of chrome steel.

FEATURES: This roller is completely closed, total lack of internal cavities to obtain the maximum level of cleanliness and noiselessness during working operations.

BOX QUANTITY: 48 pieces.

ON REQUEST:

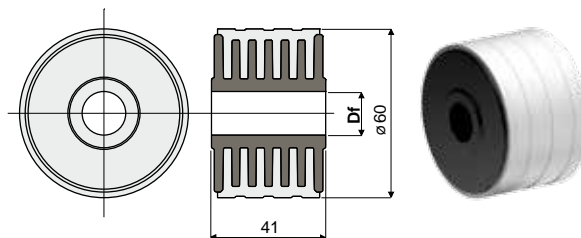
- Rollers: Special bores, other colours.
- Box quantity: According to your request.

Df Bore for pin of (mm)	L (mm)	Type 2 (with bearings) Code	Bearing type
15	40.5	249 / 83642	6002-ZZ

Roller with rubber for chain return (without flange)

Part. **245**

Df Bore for pin of (mm)	Code
12	245 / 84180
15	245 / 82017
16	245 / 82018
18	245 / 82019
20	245 / 82020



MATERIALS: Internal part is made of polyamide black colour; external rubber is made of thermoplastic rubber grey colour 65 Shore.

FEATURES: This roller is completely closed, total lack of internal cavities to obtain the maximum level of cleanliness and noiselessness during working operations.

BOX QUANTITY: 48 pieces.

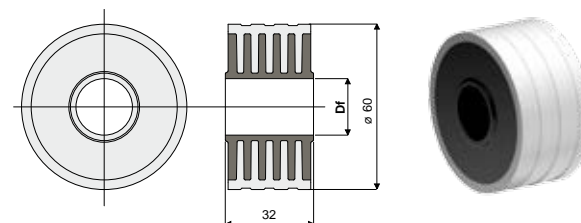
ON REQUEST:

- Rollers: Special bores, other colours.
- Box quantity: According to your request.

Roller with rubber for chain return (without flange)

Part. **399**

Df Bore for pin of (mm)	Code
12	399 / 84304
15	399 / 84305
16	399 / 84306
18	399 / 84307
20	399 / 84308



MATERIALS: Internal part is made of polyamide black colour; external rubber is made of thermoplastic rubber grey colour 65 Shore.

FEATURES: This roller is completely closed, total lack of internal cavities to obtain the maximum level of cleanliness and noiselessness during working operations.

BOX QUANTITY: 48 pieces.

ON REQUEST:

- Rollers: Special bores, other colours.
- Box quantity: According to your request.

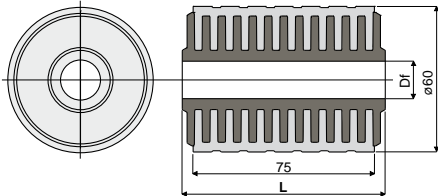
Return rollers

Roller with rubber for chain return (without flange)

Part. **293**



Df Bore for pin of (mm)	L = 82 mm	L = 84 mm
	Code	Code
12	293 / 82789	293 / 82833
15	293 / 82580	293 / 82581
16	293 / 82582	293 / 82583
18	293 / 82584	293 / 82585
20	293 / 82586	293 / 82587
25	293 / 87465	293 / 87466
30	293 / 87467	293 / 87468



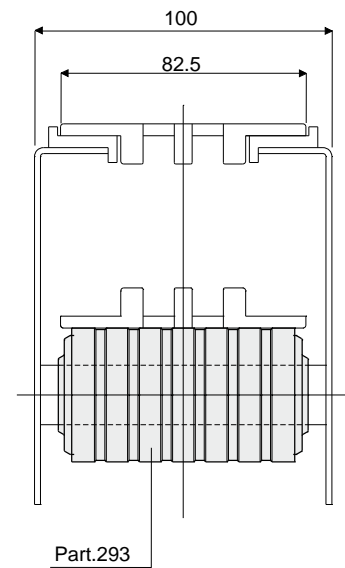
MATERIALS: Internal part is made of polyamide black colour; external rubber is made of thermoplastic rubber grey colour 65 Shore.
FEATURES: This roller is completely closed, total lack of internal cavities to obtain the maximum level of cleanability and noiselessness during working operations.

BOX QUANTITY: 48 pieces.

ON REQUEST:

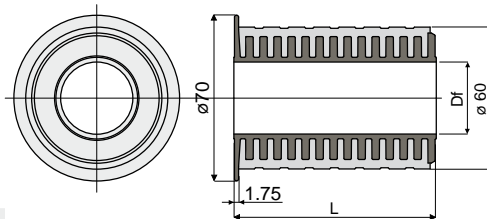
- Rollers: Special bores, other colours.
- Box quantity: According to your request.

Example of application



Part.293

Part. **525** Roller with rubber for chain return (with flange)



Df Bore for pin of (mm)	L (mm)	Code
30	85,5	525 / 87379

MATERIALS: Internal part is made of polyamide black colour; external rubber is made of thermoplastic rubber grey colour 65 Shore.

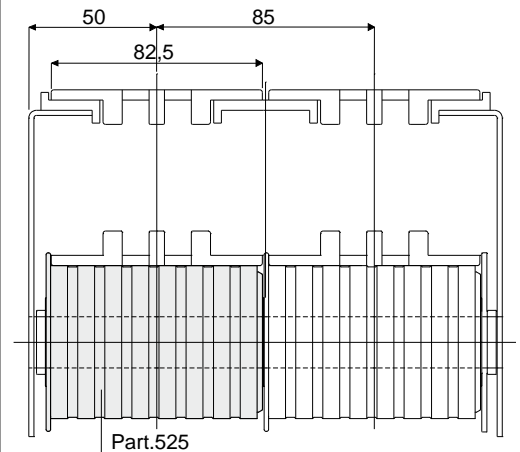
FEATURES: This roller is completely closed, total lack of internal cavities to obtain the maximum level of cleanability and noiselessness during working operations.

BOX QUANTITY: 48 pieces.

ON REQUEST:

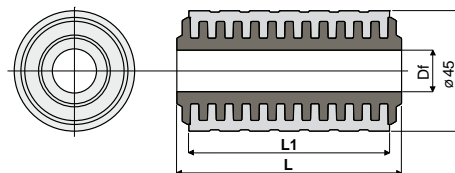
- Rollers: Special bores, other colours.
- Box quantity: According to your request.

Example of application



Part.525

Part. **276** Roller with rubber for chain return (without flange)



Df Bore for pin of (mm)	L = 41 mm L1 = 36 mm	L = 82 mm L1 = 75 mm	L = 84 mm L1 = 75 mm
	Code	Code	Code
12	276 / 85466	276 / 82853	276 / 82855
15	276 / 85462	276 / 82060	276 / 82061
16	276 / 85463	276 / 82062	276 / 82063
18	276 / 85464	276 / 82064	276 / 82065
20	276 / 85465	276 / 82066	276 / 82067

MATERIALS: Internal part is made of polyamide black colour; external rubber is made of thermoplastic rubber grey colour 65 Shore.

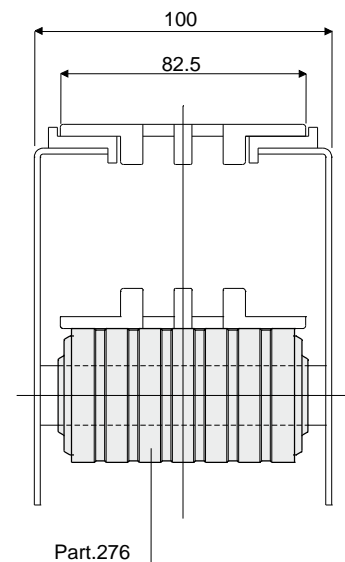
FEATURES: This roller is completely closed, total lack of internal cavities to obtain the maximum level of cleanability and noiselessness during working operations.

BOX QUANTITY: 48 pieces.

ON REQUEST:

- Rollers: Special bores, other colours.
- Box quantity: According to your request.

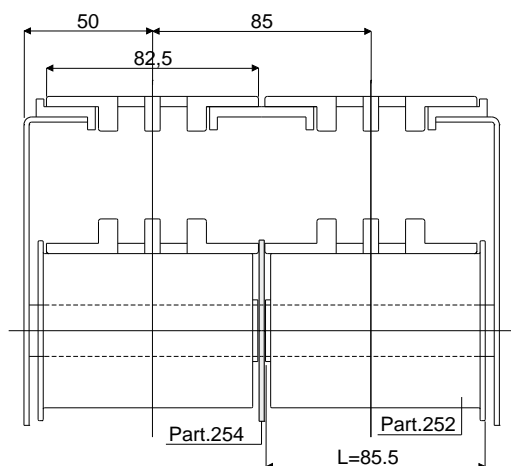
Example of application



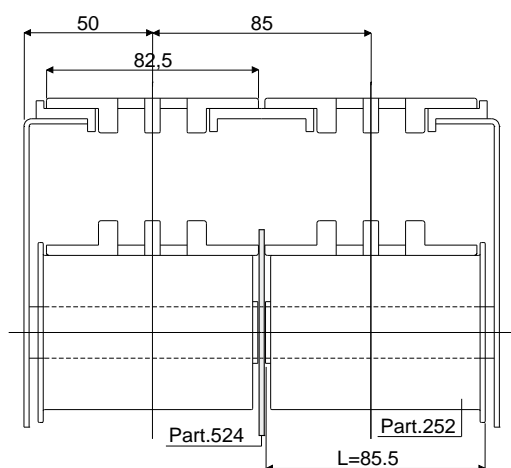
Part.276

Return rollers

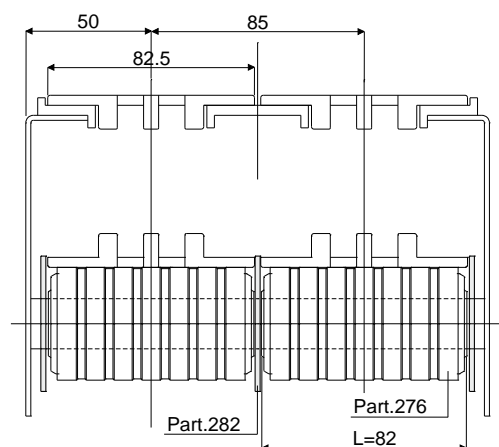
Example of application



Example of application



Example of application

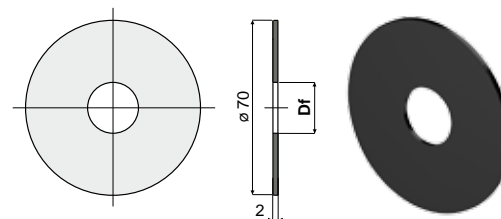


Flange for chain guide

(for rollers Part. 251, 252, 253, 245, 293, 250, 249, 399, 525)

Part. 254

Df Bore for pin of (mm)	Code
12	254 / 82630
14	254 / 82264
15	254 / 82251
16	254 / 82252
18	254 / 82253
20	254 / 82254



MATERIALS: Flange is made of polypropylene black colour.

FEATURES: To be assembled to rollers for chain return Part.251, 252, 253, 245, 293, 250, 249, 399, 525.

BOX QUANTITY: 96 pieces.

ON REQUEST:

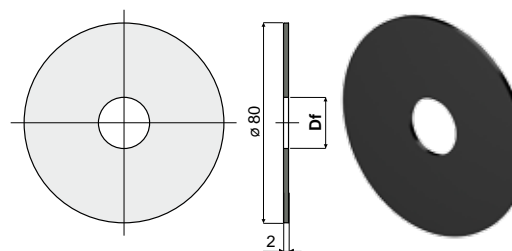
- Flanges: Special bores, other colours.
- Box quantity: According to your request.

Flange for chain guide

(for rollers Part. 251, 252, 253, 245, 293, 250, 249, 399, 525)

Part. 524

Df Bore for pin of (mm)	Code
12	524 / 87385
16	524 / 87388
20	524 / 87390



MATERIALS: Flange is made of polypropylene black colour.

FEATURES: To be assembled to rollers for chain return Part.251, 252, 253, 245, 293, 250, 249, 399, 525.

BOX QUANTITY: 96 pieces.

ON REQUEST:

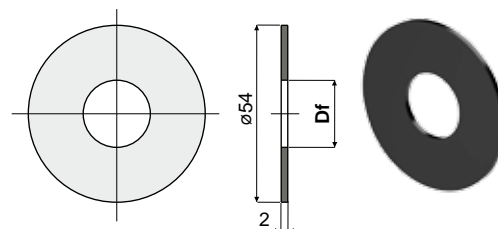
- Flanges: Special bores, other colours.
- Box quantity: According to your request.

Flange for chain guide

(for rollers Part. 276, 271, 270)

Part. 282

Df Bore for pin of (mm)	Code
15	282 / 82154
16	282 / 82155
18	282 / 82156
20	282 / 82157



MATERIALS: Flange is made of polypropylene black colour.

FEATURES: To be assembled to rollers for chain return Part.276, 271, 270.

BOX QUANTITY: 96 pieces.

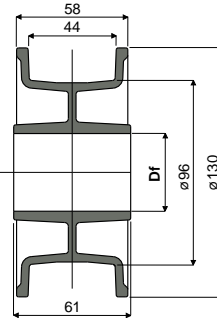
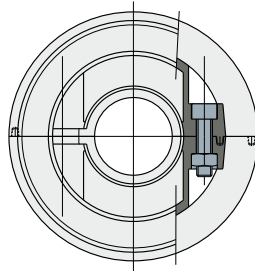
ON REQUEST:

- Flanges: Special bores, other colours.
- Box quantity: According to your request.

Idler wheels

Split idler wheel 21 teeth (for chains series 812-815-820-831)

Part. **311**



Df Bore for pin of (mm)	Code
25	311 / 82841
30	311 / 82842
35	311 / 82843
40	311 / 82844

MATERIALS: Wheel made of polyamide black colour; bolts and nuts made of stainless steel AISI 304.

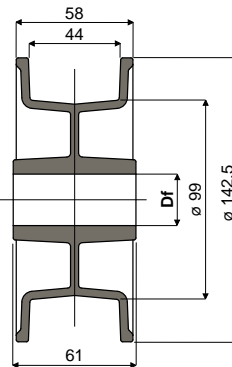
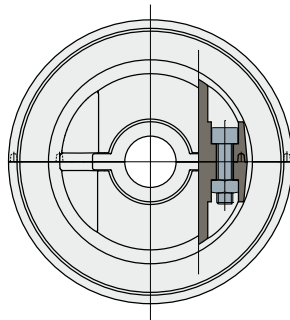
FEATURES: Supplied assembled. To be used for chain return in the series 812, 815, 820, 831.

BOX QUANTITY: 12 pieces.

ON REQUEST:

- Wheels: With special bores, other colours.
- Box quantity: According to your request.

Part. **529** Split idler wheel 23 teeth (for chains series 812-815-820-831)



Df Bore for pin of (mm)	Code
25	529 / 87589
30	529 / 87590
35	529 / 87591
40	529 / 87592

MATERIALS: Wheel made of polyamide black colour; bolts and nuts made of stainless steel AISI 304.

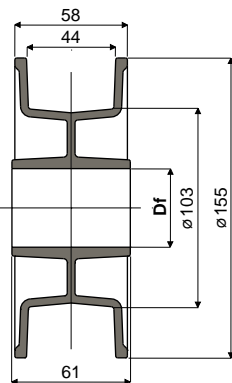
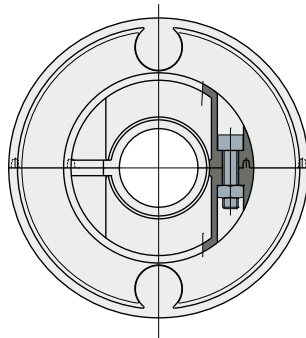
FEATURES: Supplied assembled. To be used for chain return in the series 812, 815, 820, 831.

BOX QUANTITY: 12 pieces.

ON REQUEST:

- Wheels: With special bores, other colours.
- Box quantity: According to your request.

Part. **285** Split idler wheel 25 teeth (for chains series 812-815-820-831)



Df Bore for pin of (mm)	Code
25	285 / 82526
30	285 / 82528
35	285 / 82529
40	285 / 82530

MATERIALS: Wheel made of polyamide black colour; bolt and nuts made of stainless steel AISI 304.

FEATURES: Supplied assembled. To be used for chains Series 812, 815, 820, 831.

BOX QUANTITY: 12 pieces.

ON REQUEST:

- Wheels: With special bores, other colours, with customer brand.
- Box quantity: According to your request.

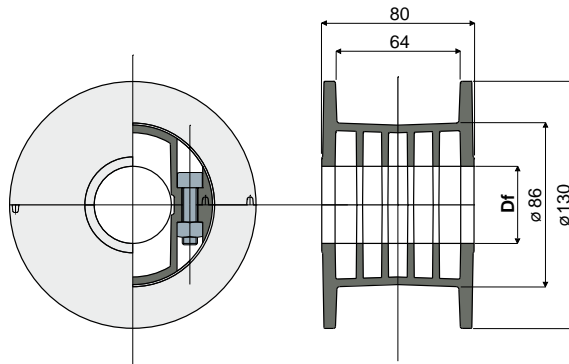
Idler wheels

Split idler wheel 10 teeth

(for chains series 879 TAB, 880 TAB and 881 TAB)

Part. **310**

Df Bore for pin of (mm)	Code
20	310 / 82827
25	310 / 82828
30	310 / 82829
35	310 / 82830
40	310 / 82831



MATERIALS: Wheel made of polyamide black colour; bolts and nuts made of stainless steel AISI 304.

FEATURES: Supplied assembled. To be used with chains Part.710, 711, 713.

BOX QUANTITY: 12 pieces.

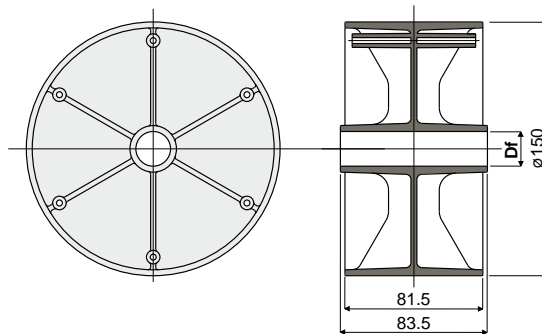
ON REQUEST:

- Wheels: With special bores, other colours.
- Box quantity: According to your request.

Idler wheel for chain return

Part. **268**

Df Bore for pin of (mm)	Code
20	268 / 82040



MATERIALS: Wheel in polyamide black colour.

FEATURES: To be assembled in the chain return near to the sprocket.

BOX QUANTITY: 12 pieces.

ON REQUEST:

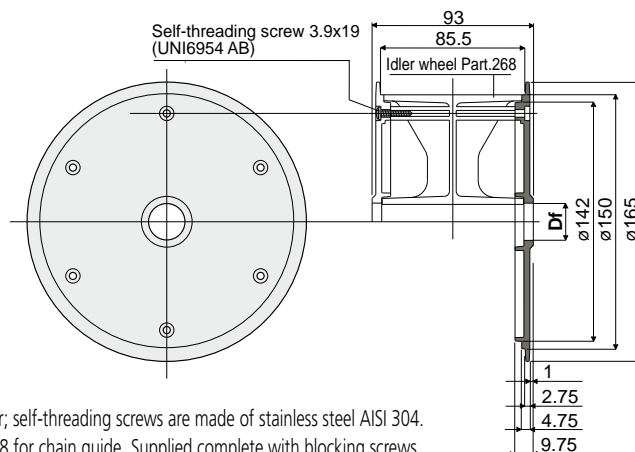
- Wheels: Other bore sizes, materials and colours.
- Box quantity: According to your request.

Flange for chain guide

(for idler wheel Part. 268)

Part. **269**

Df Bore for pin of (mm)	Code
20	269 / 82041



MATERIALS: Flange is made of polyamide black colour; self-threading screws are made of stainless steel AISI 304.

FEATURES: To be assembled to our idler wheel Part.268 for chain guide. Supplied complete with blocking screws.

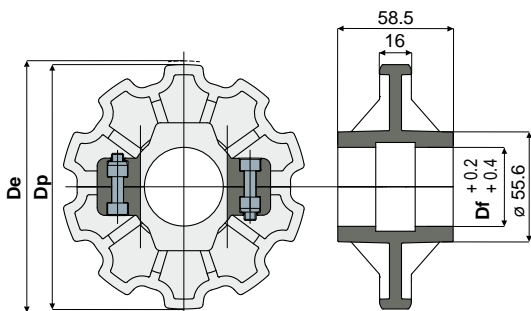
BOX QUANTITY: 24 pieces.

ON REQUEST:

- Flanges: Other bore sizes and colours.
- Box quantity: According to your request.

Idler wheels

Part. 455 Split idler wheel 10 teeth (for chains series 879, 879 TAB, 880, 880 TAB)



Df (mm)	Dp (mm)	De (mm)	Code
25	123,3	122,5	455 / 85420
30	123,3	122,5	455 / 85421
35	123,3	122,5	455 / 85422
40	123,3	122,5	455 / 85423

MATERIALS: Wheel made of polyamide black colour; screws made of stainless steel AISI 304, nuts in nickel plated brass.

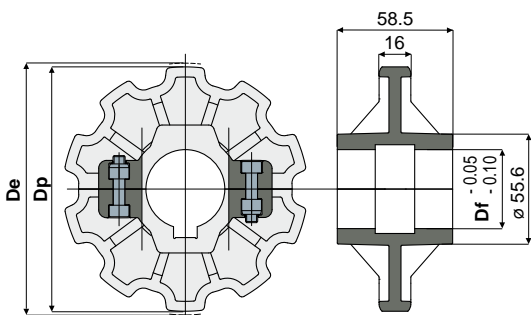
FEATURES: To be used with chains Part. 710, 711, 713.

BOX QUANTITY: 8 pieces.

ON REQUEST:

- Wheels: In other materials.
- Box quantity: According to your request.

Part. 454 Split sprocket 10 teeth (for chains series 879, 879 TAB, 880, 880 TAB)



Df (mm)	Dp (mm)	De (mm)	Code
25	123,3	122,5	454 / 85416
30	123,3	122,5	454 / 85417
35	123,3	122,5	454 / 85418
40	123,3	122,5	454 / 85419

MATERIALS: Wheel made of reinforced polyamide black colour; screws made of stainless steel AISI 304, nuts in nickel plated brass.

FEATURES: Dimensions of the keyway UNI 6604-69 - DIN 6885/1.

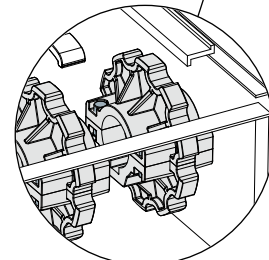
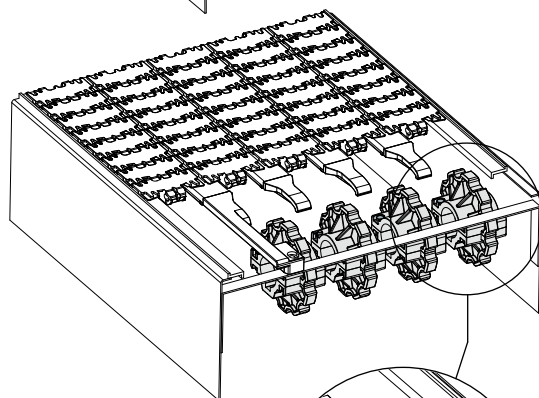
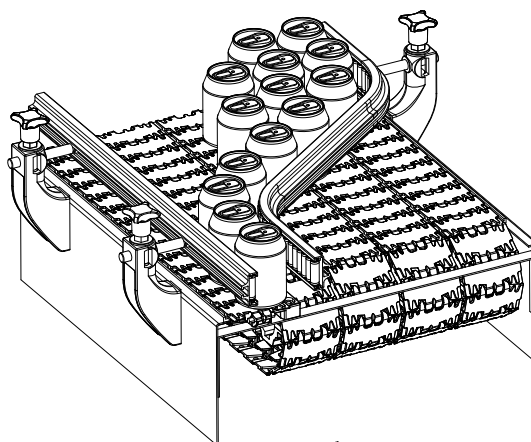
To be used with chains Part. 710, 711, 713.

BOX QUANTITY: 8 pieces.

ON REQUEST:

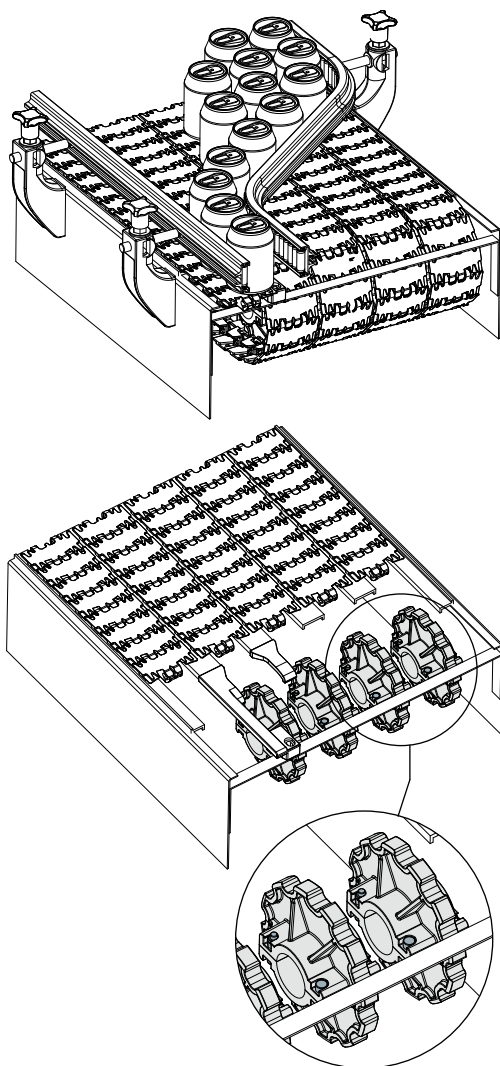
- Wheels: In other materials.
- Box quantity: According to your request.

Example of application



Idler wheels

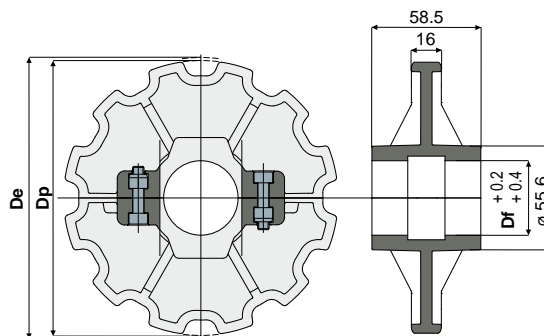
Example of application



Split idler wheel 12 teeth

(for chains series 879, 879 TAB, 880, 880 TAB)

Part. **457**



Df (mm)	Dp (mm)	De (mm)	Code
25	147,2	147,4	457 / 85428
30	147,2	147,4	457 / 85429
35	147,2	147,4	457 / 85430
40	147,2	147,4	457 / 85431

MATERIALS: Wheel made of polyamide black colour; screws made of stainless steel AISI 304, nuts in nickel plated brass.

FEATURES: To be used with chains Part.710, 711, 713.

BOX QUANTITY: 8 pieces.

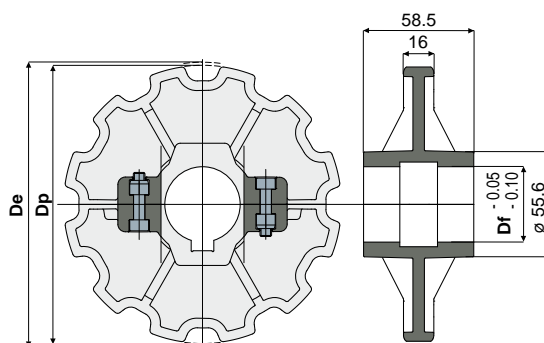
ON REQUEST:

- Wheels: In other materials.
- Box quantity: According to your request.

Split sprocket 12 teeth

(for chains series 879, 879 TAB, 880, 880 TAB)

Part. **456**



Df (mm)	Dp (mm)	De (mm)	Code
25	147,2	147,4	456 / 85424
30	147,2	147,4	456 / 85425
35	147,2	147,4	456 / 85426
40	147,2	147,4	456 / 85427

MATERIALS: Wheel made of reinforced polyamide black colour; screws made of stainless steel AISI 304, nuts in nickel plated brass.

FEATURES: Dimensions of the keyway UNI 6604-69 - DIN 6885/1.

To be used with chains Part.710, 711, 713.

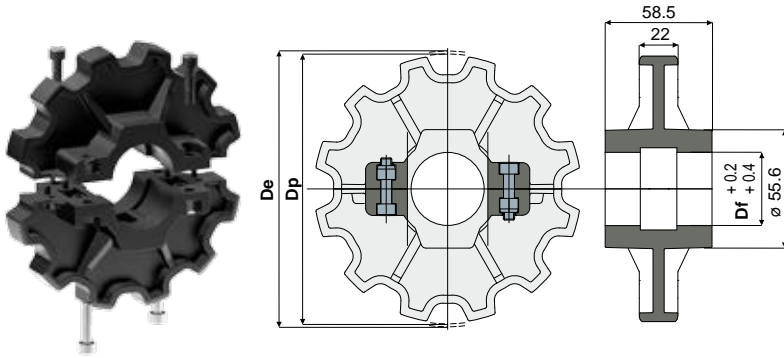
BOX QUANTITY: 8 pieces.

ON REQUEST:

- Wheels: In other materials.
- Box quantity: According to your request.

Idler wheels

Part. 472 Split idler wheel 12 teeth (for chains series 882, 882 TAB)



Df (mm)	Dp (mm)	De (mm)	Code
25	147,2	149	472 / 85969
30	147,2	149	472 / 85970
35	147,2	149	472 / 85971
40	147,2	149	472 / 85972

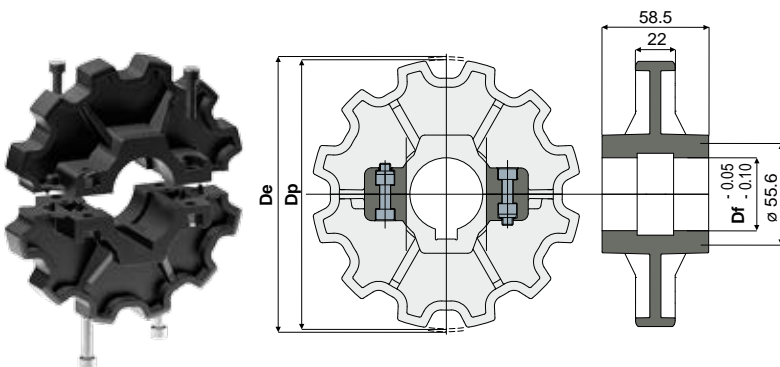
MATERIALS: Wheel made of polyamide black colour; screws made of stainless steel AISI 304, nuts in nickel plated brass.

BOX QUANTITY: 8 pieces.

ON REQUEST:

- Wheels: In other materials.
- Box quantity: According to your request.

Part. 473 Split sprocket 12 teeth (for chains series 882, 882 TAB)



Df (mm)	Dp (mm)	De (mm)	Code
25	147,2	149	473 / 85973
30	147,2	149	473 / 85974
35	147,2	149	473 / 85975
40	147,2	149	473 / 85976

MATERIALS: Wheel made of reinforced polyamide black colour; screws made of stainless steel AISI 304, nuts in nickel plated brass.

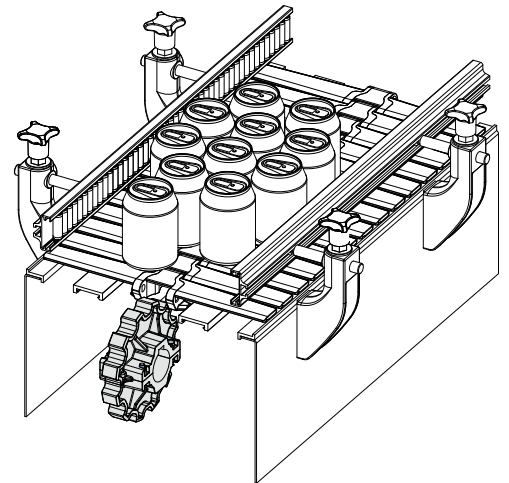
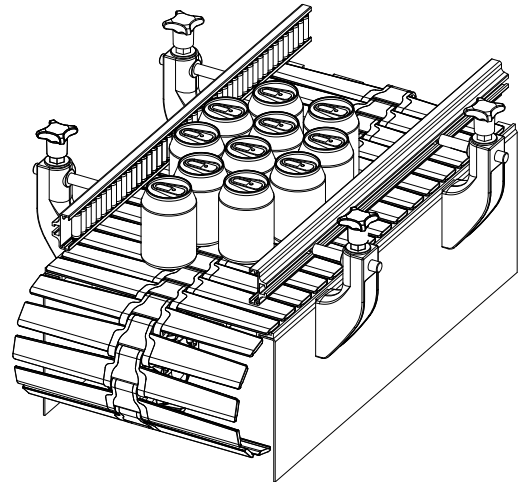
FEATURES: Dimensions of the keyway UNI 6604-69 - DIN 6885/1.

BOX QUANTITY: 8 pieces.

ON REQUEST:

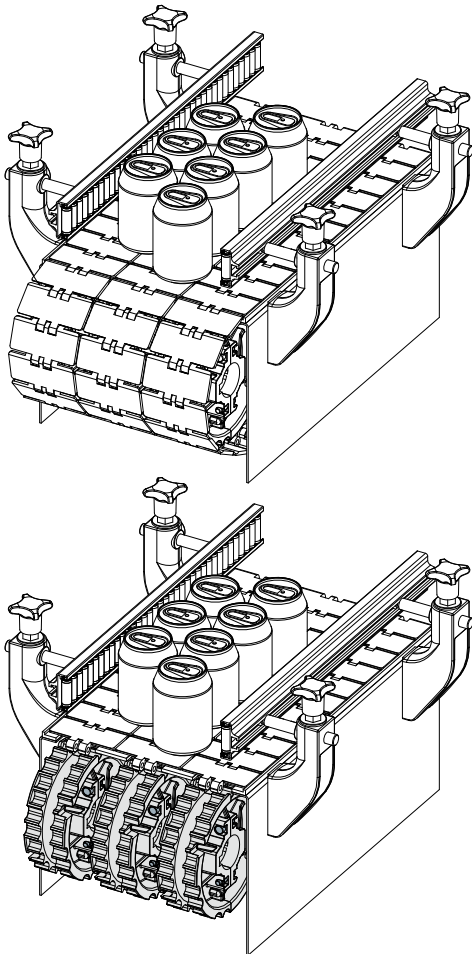
- Wheels: In other materials.
- Box quantity: According to your request.

Example of application



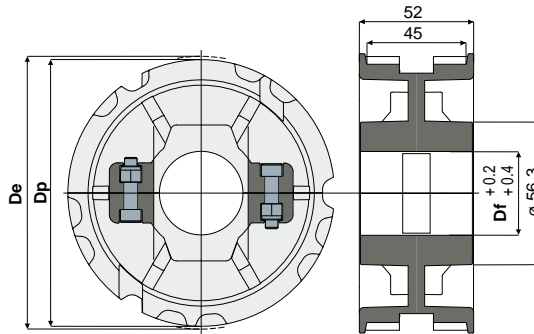
Idler wheels

Example of application



Split idler wheel 21 teeth (for chains series 815, 820, 831)

Part. **542**



NEW

Df (mm)	Dp (mm)	De (mm)	Code
25	129,3	128	542 / 89129
30	129,3	128	542 / 89131
35	129,3	128	542 / 89133
40	129,3	128	542 / 89134

MATERIALS: Wheel made of polyamide black colour; screws made of stainless steel AISI 304, nuts in nickel plated brass.

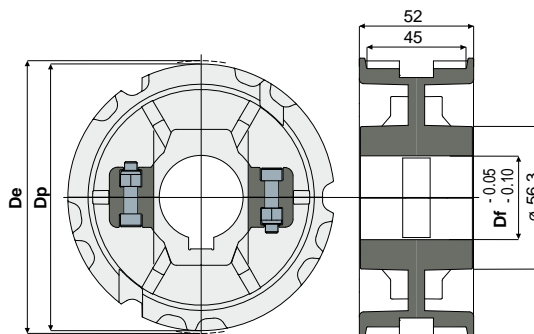
BOX QUANTITY: 8 pieces.

ON REQUEST:

- Wheels: In other materials.
- Box quantity: According to your request.

Split sprocket 21 teeth (for chains series 815, 820, 831)

Part. **543**



NEW

Df (mm)	Dp (mm)	De (mm)	Code
25	129,3	128	543 / 89135
30	129,3	128	543 / 89136
35	129,3	128	543 / 89137
40	129,3	128	543 / 89138

MATERIALS: Wheel made of reinforced polyamide black colour; screws made of stainless steel AISI 304, nuts in nickel plated brass.

FEATURES: Dimensions of the keyway UNI 6604-69 - DIN 6885/1.

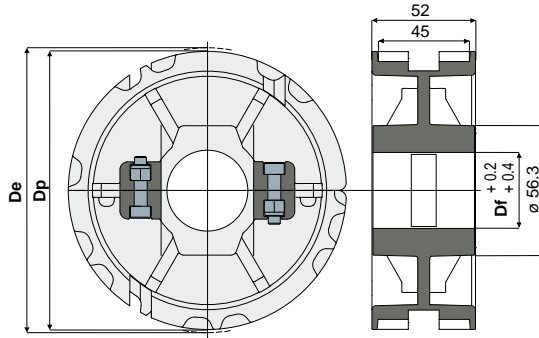
BOX QUANTITY: 8 pieces.

ON REQUEST:

- Wheels: In other materials.
- Box quantity: According to your request.

Idler wheels

Part. 540 Split idler wheel 23 teeth (for chains series 815, 820, 831)



NEW

Df (mm)	Dp (mm)	De (mm)	Code
25	141,2	140	540 / 89105
30	141,2	140	540 / 89107
35	141,2	140	540 / 89109
40	141,2	140	540 / 89110

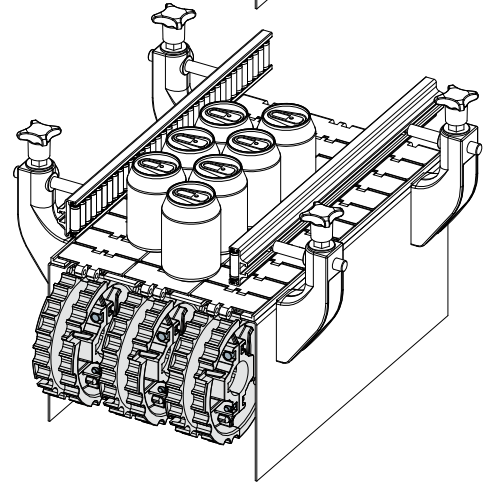
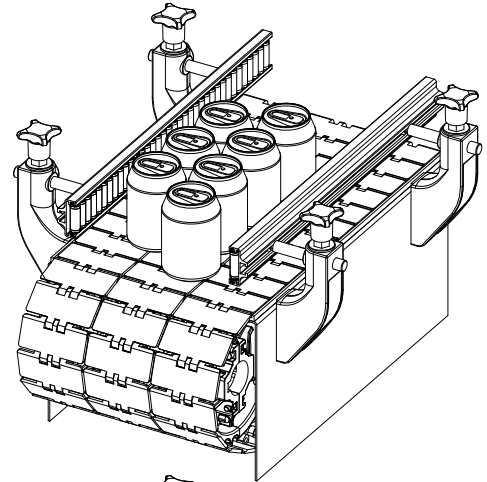
MATERIALS: Wheel made of polyamide black colour; screws made of stainless steel AISI 304, nuts in nickel plated brass.

BOX QUANTITY: 8 pieces.

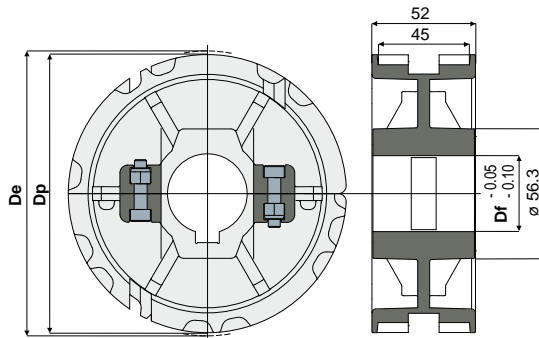
ON REQUEST:

- Wheels: In other materials.
- Box quantity: According to your request.

Example of application



Part. 541 Split sprocket 23 teeth (for chains series 815, 820, 831)



NEW

Df (mm)	Dp (mm)	De (mm)	Code
25	141,2	140	541 / 89111
30	141,2	140	541 / 89112
35	141,2	140	541 / 89113
40	141,2	140	541 / 89114

MATERIALS: Wheel made of reinforced polyamide black colour; screws made of stainless steel AISI 304, nuts in nickel plated brass.

FEATURES: Dimensions of the keyway UNI 6604-69 - DIN 6885/1.

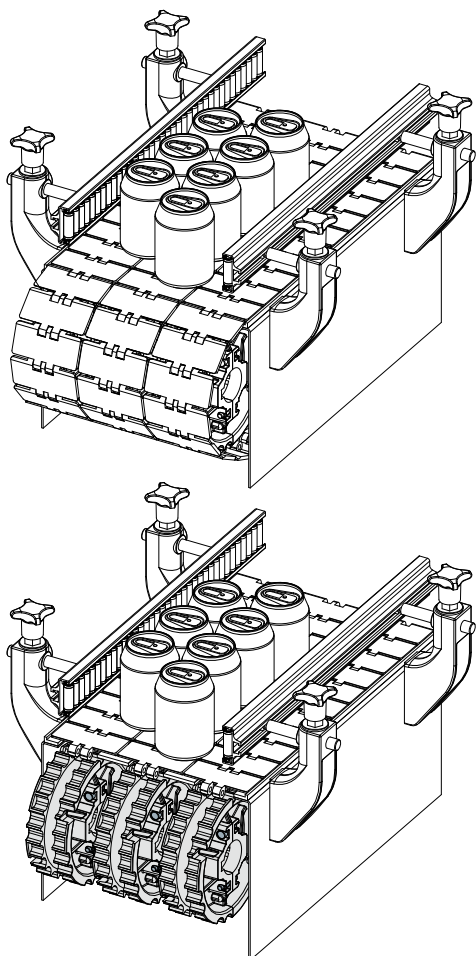
BOX QUANTITY: 8 pieces.

ON REQUEST:

- Wheels: In other materials.
- Box quantity: According to your request.

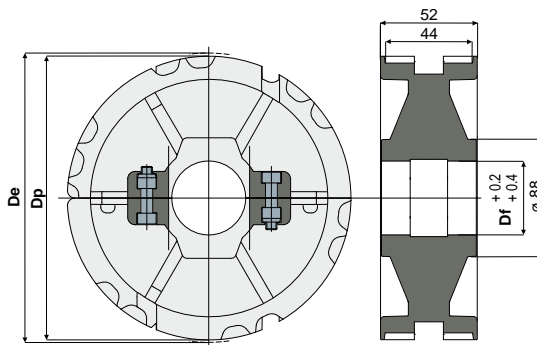
Idler wheels

Example of application



Split idler wheel 25 teeth (for chains series 815, 820, 831)

Part. **535**



Df (mm)	Dp (mm)	De (mm)	Code
25	153,2	153	535 / 88680
30	153,2	153	535 / 88681
35	153,2	153	535 / 88682
40	153,2	153	535 / 88683

MATERIALS: Wheel made of polyamide black colour; screws made of stainless steel AISI 304, nuts in nickel plated brass.

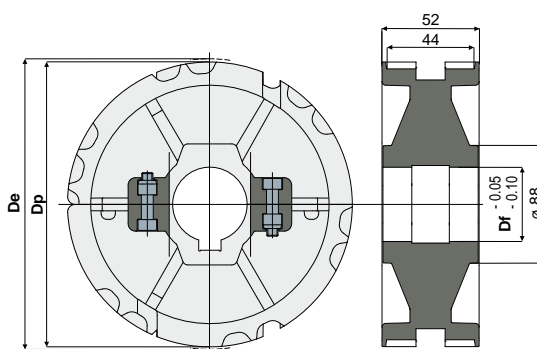
BOX QUANTITY: 8 pieces.

ON REQUEST:

- Wheels: In other materials.
- Box quantity: According to your request.

Split sprocket 25 teeth (for chains series 815, 820, 831)

Part. **523**



Df (mm)	Dp (mm)	De (mm)	Code
25	153,2	153	523 / 87357
30	153,2	153	523 / 87358
35	153,2	153	523 / 87359
40	153,2	153	523 / 87360

MATERIALS: Wheel made of reinforced polyamide black colour; screws made of stainless steel AISI 304, nuts in nickel plated brass.

FEATURES: Dimensions of the keyway UNI 6604-69 - DIN 6885/1.

BOX QUANTITY: 8 pieces.

ON REQUEST:

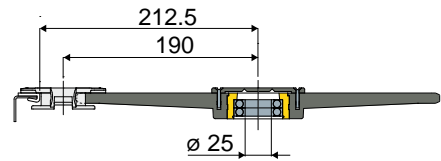
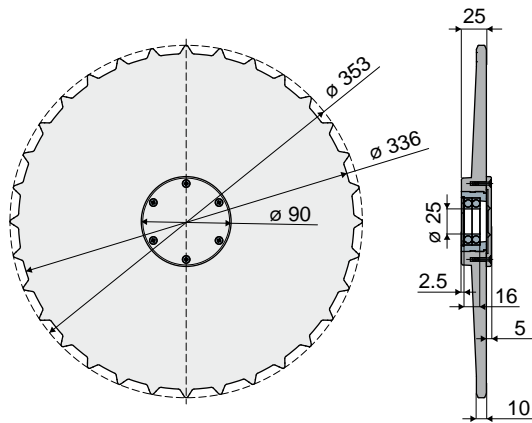
- Wheels: In other materials.
- Box quantity: According to your request.

Idler wheels

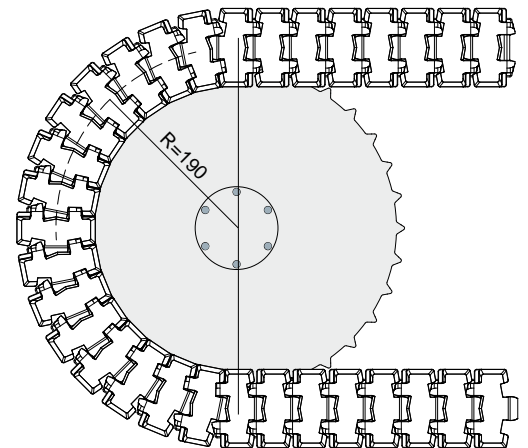
Part. **458**

Corner disc 32 teeth

(for chains series 879 BO, 879 TAB BO, 880 BO, 880 TAB BO)



Example of application



Code

458 / 85435

MATERIALS: Wheel and external cap made of reinforced polyamide black colour; bushing in brass; stop ring and self-threading screws in stainless steel AISI 304; bearing type 16005 25x47x8 in chrome steel.

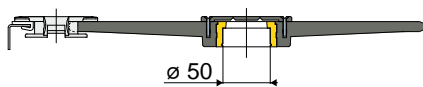
FEATURES: To be used with chains Part.710, 711, 713.

BOX QUANTITY: 2 pieces.

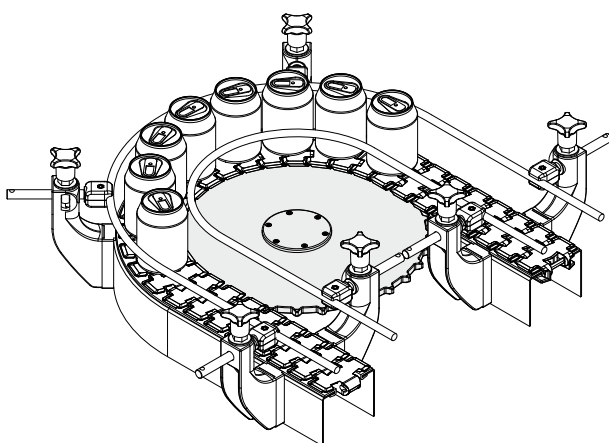
ON REQUEST:

- **Wheels:** In other materials.
- **Box quantity:** According to your request.

Idler wheels



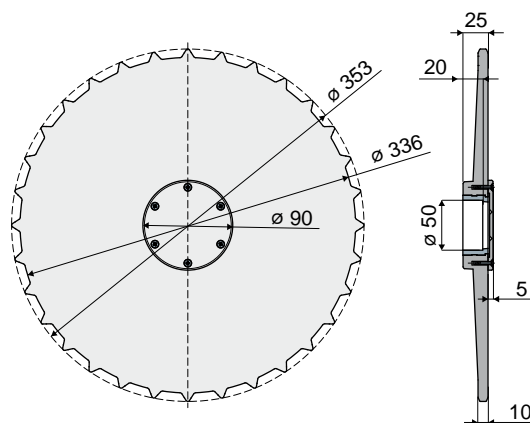
Example of application



Corner disc 32 teeth

(for chains series 879 BO, 879 TAB BO, 880 BO, 880 TAB BO)

Part. **459**



Code

459 / 85436

MATERIALS: Wheel and external cap made of reinforced polyamide black colour; bushing in brass; self-threading screws in stainless steel AISI 304.

FEATURES: To be used with chains Part.710, 711, 713.

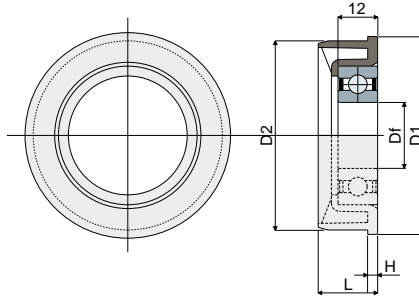
BOX QUANTITY: 2 pieces.

ON REQUEST:

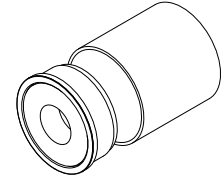
- Wheels: In other materials.
- Box quantity: According to your request.

Bearing supports

Part. 300 Bearing-holder flange



Example of assembly



Tube dimensions			Bore for pin					Code	Bearing type
Outside \varnothing (mm)	thickness (mm)	Inside \varnothing (mm)	D1 (mm)	D2 (mm)	H (mm)	L (mm)	Df (mm)		
60	1,5	57,3	60	57,3	3	18	20	300 / 84814	6004/2RS
60	1,5	57,3	60	57,3	3	18	20	300 / 82682	Supplied without bearings
50	1,5	47	50	47,3	3	18	20	300 / 86727	6004/2RS
50	1,5	47	50	47,3	3	18	20	300 / 86728	Supplied without bearings

MATERIALS: Flange is made of polyamide black colour.

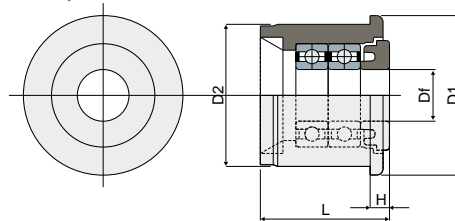
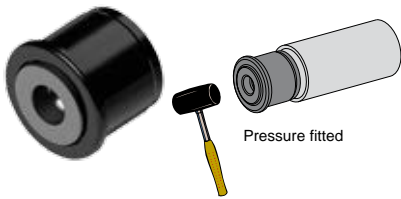
FEATURES: To be inserted in the tube sides to build a roller conveyor.

BOX QUANTITY: 24 pieces.

ON REQUEST:

- Flanges: Supplied assembled with bearings.
- Box quantity: According to your request.

Part. 317 Bearing support for conveyor rollers (with protective shield)



Tube dimensions			Bore for pin					Code	Bearing type
Outside \varnothing (mm)	thickness (mm)	Inside \varnothing (mm)	D1 (mm)	D2 (mm)	H (mm)	L (mm)	Df (mm)		
25	1,5	22	25	22	3	20	8	317 / 82911	688/8-2RS
25	1,5	22	25	22	3	20	8	317 / 82912	Supplied without bearings

MATERIALS: Bearing support with internal part and external bushing made of polyamide black colour; bearings made of chrome steel.

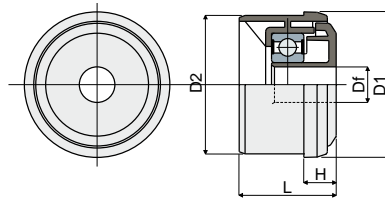
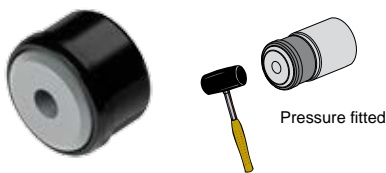
FEATURES: To be inserted in the tube sides to build a roller conveyor.

BOX QUANTITY: 24 pieces.

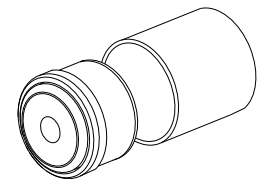
ON REQUEST:

- Bearing supports: Other colours.
- Box quantity: According to your request.

Part. 263 Bearing support for conveyor rollers (for idler roller)



Example of assembly



Tube dimensions			Bore for pin					Code	Bearing type	Max Recommended load (N)
Outside \varnothing (mm)	thickness (mm)	Inside \varnothing (mm)	D1 (mm)	D2 (mm)	H (mm)	L (mm)	Df (mm)			
50	1,5	47	50	47	11	30	12	263 / 82032	6202-2RS	200
50	1,5	47	50	47	11	30	14	263 / 82256	6202-2RS	
60	1,5	57	60	57	15	53	12	263 / 85071	6202-2RS	
60	1,5	57	60	57	15	53	14	263 / 85068	6202-2RS	
60	2	56	60	56	15	53	12	263 / 85072	6202-2RS	
60	2	56	60	56	15	53	14	263 / 85069	6202-2RS	
60	2,75	54,5	60	54,5	15	53	12	263 / 85073	6202-2RS	
60	2,75	54,5	60	54,5	15	53	14	263 / 85070	6202-2RS	

MATERIALS: Bearing support with protective shield made of polyamide grey colour; external bushing made of polyamide black colour; bearing made of chrome steel.

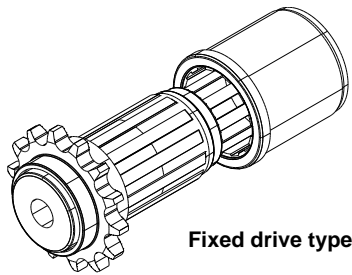
FEATURES: To be inserted in the tube sides to build a roller conveyor.

BOX QUANTITY: 24 pieces.

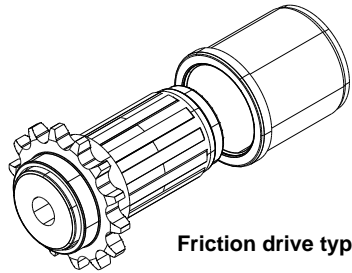
ON REQUEST:

- Bearing supports: Other colours, bores with different sizes.
- Box quantity: According to your request.

Bearing supports



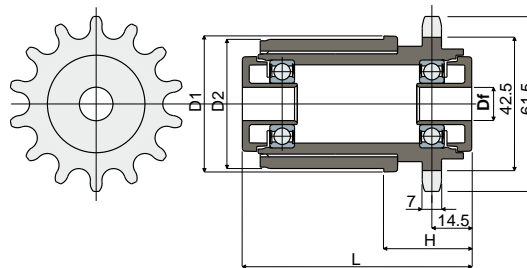
Fixed drive type



Friction drive type

14 teeth bearing support for conveyor rollers (for drive roller)

Part. **264**



Pressure fitted

Tube dimensions				Bore for pin				Fixed drive type	Friction drive type	Bearing type	Max Recommended load (N)
Outside ø (mm)	Thickness (mm)	Inside ø (mm)	D1 (mm)	D2 (mm)	H (mm)	L (mm)	Df (mm)	Code	Code		
50	1,5	47	50	47	32	83	12	264 / 82033	264 / 82217	6002-2RS	200
50	1,5	47	50	47	32	83	14	264 / 82215	264 / 82218	6002-2RS	
60	1,5	57	60	57	39	83	12	264 / 85074	264 / 84244	6002-2RS	
60	1,5	57	60	57	39	83	14	264 / 85075	264 / 84245	6002-2RS	
60	2	56	60	56	39	83	12	264 / 85076	264 / 84246	6002-2RS	
60	2	56	60	56	39	83	14	264 / 85077	264 / 84247	6002-2RS	
60	2,75	54,5	60	54,5	39	83	12	264 / 85078	264 / 84251	6002-2RS	
60	2,75	54,5	60	54,5	39	83	14	264 / 85079	264 / 84253	6002-2RS	

MATERIALS: Bearing support with protective shield made of polyamide grey colour; external bushing made of polyamide black colour; bearing made of chrome steel.

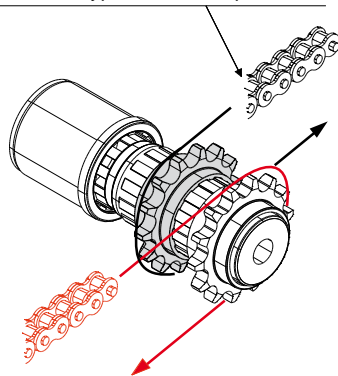
FEATURES: To be inserted in the tube sides to build a roller conveyor. Drive sprocket with 14 teeth for roller chain type DIN 8187-08-B1.

BOX QUANTITY: 24 pieces.

ON REQUEST:

- Bearing supports: Bores with different sizes, other colours.
- Box quantity: According to your request.

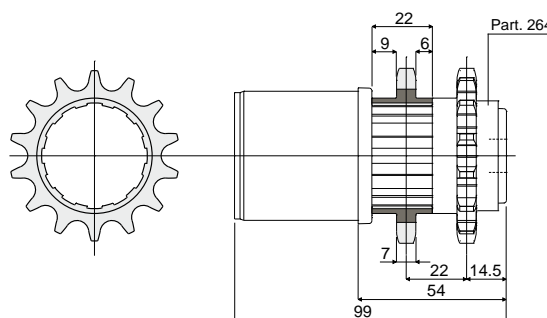
Roller chain type DIN 8187 tipo 08-B1



Example of assembly

14 teeth sprocket (for bearing support Part. 264)

Part. **265**



Code
265 / 82034

MATERIALS: Drive sprocket is made of polyamide black colour.

FEATURES: Accessory to be used with bearing support Part.264 to make the drive roller to roller. This drive type allows a greater torque.

BOX QUANTITY: 24 pieces.

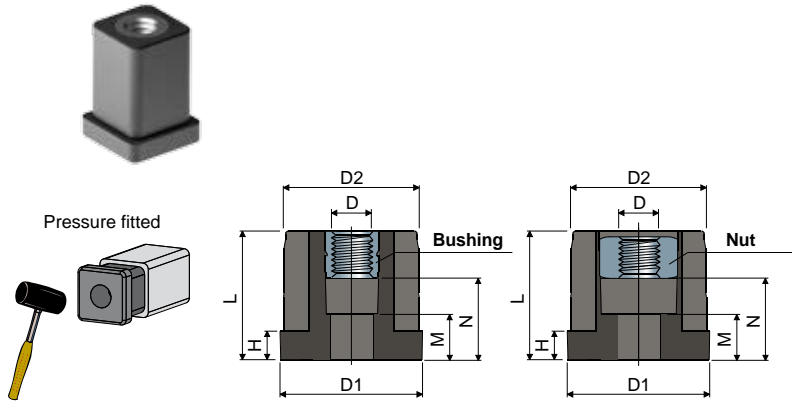
ON REQUEST:

- Sprockets: Other colours.
- Box quantity: According to your request.

Bushings

Part. 336

(for conveyor flanks)
Threaded bushing



Tube dimensions										With bushing
Outside (mm)	Thickness (mm)	Inside (mm)	Thread D	D1 (mm)	D2 (mm)	H (mm)	L (mm)	M (mm)	N (mm)	Code
20x20	1,5	17x17	M8	20x20	17x17	5	28	13	18	336 / 83138

Tube dimensions										With nut
Outside (mm)	Thickness (mm)	Inside (mm)	Thread D	D1 (mm)	D2 (mm)	H (mm)	L (mm)	M (mm)	N (mm)	Code
20x20	1,5	17x17	M8	20x20	17x17	5	28	13	18	336 / 84563

MATERIALS: Bushing in reinforced polyamide black colour; threaded insert or nut in nickel plated brass.

FEATURES: Supplied assembled. To be assembled in the conveyor flanks.

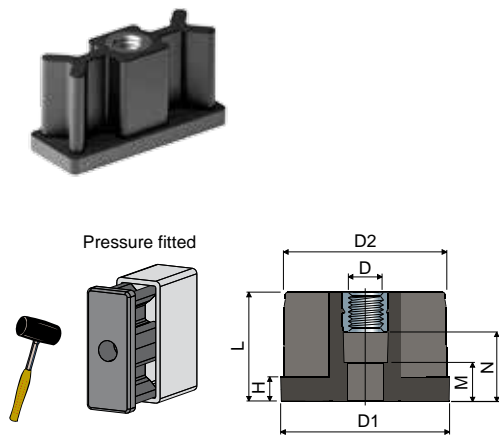
BOX QUANTITY: 48 pieces.

ON REQUEST:

- Bushings: Special thickness tubes.
- Box quantity: According to your request.

Part. 335 Threaded bushing

(for conveyor flanks)



Tube dimensions										Code
Outside (mm)	Thickness (mm)	Inside (mm)	Thread D	D1 (mm)	D2 (mm)	H (mm)	L (mm)	M (mm)	N (mm)	Code
20x50	2	16x46	M8	20x50	16x46	5	28	13	18	335 / 83128

MATERIALS: Bushing in reinforced polyamide black colour; threaded insert in nickel plated brass.

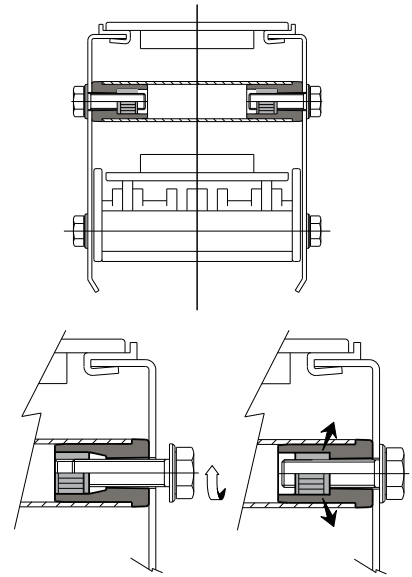
FEATURES: Supplied assembled. To be assembled in the conveyor flanks.

BOX QUANTITY: 48 pieces.

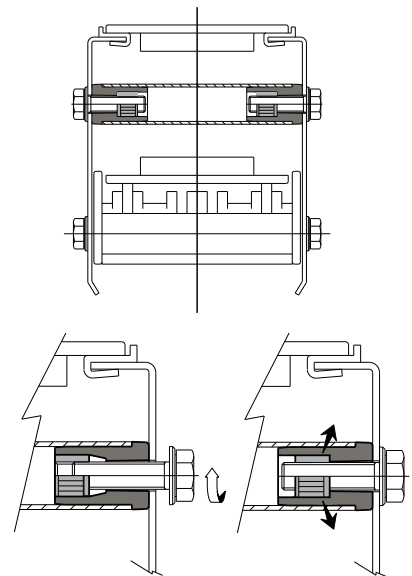
ON REQUEST:

- Bushings: Special thickness tubes.
- Box quantity: According to your request.

Example of application

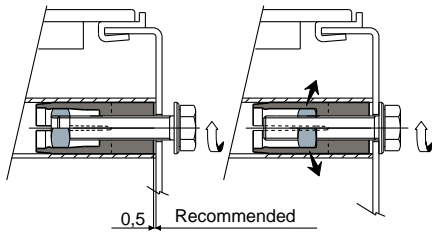
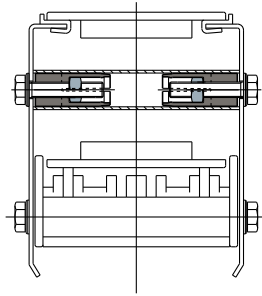


Example of application



Bushings

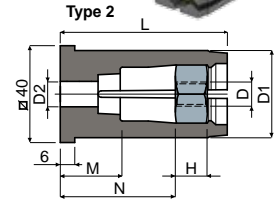
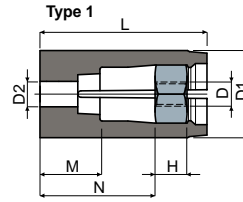
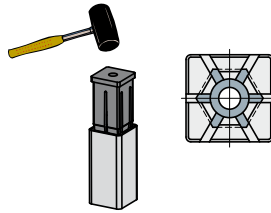
Example of application



Expansion plug (for square tubes)

Part. **414**

Pressure fitted



Tube dimensions										Type 1
Outside (mm)	Thickness (mm)	Inside (mm)	D (mm)	D1 (mm)	D2 (mm)	H (mm)	L (mm)	M (mm)	N (mm)	Code
40x40	2	36x36	M8	36	10,5	13	69	24,8	47,5	414 / 84868
40x40	2	36x36	M10	36	10,5	13	69	24,8	47,5	414 / 85096

Tube dimensions										Type 2
Outside (mm)	Thickness (mm)	Inside (mm)	D (mm)	D1 (mm)	D2 (mm)	H (mm)	L (mm)	M (mm)	N (mm)	Code
40x40	2	36x36	M8	36	10,5	13	69	24,8	47,5	414 / 84545
40x40	2	36x36	M10	36	10,5	13	69	24,8	47,5	414 / 84546

MATERIALS: Plug made of reinforced polyamide black colour; nut made of brass.

FEATURES: Supplied assembled. To be assembled in the conveyor flanks.

BOX QUANTITY: 48 pieces.

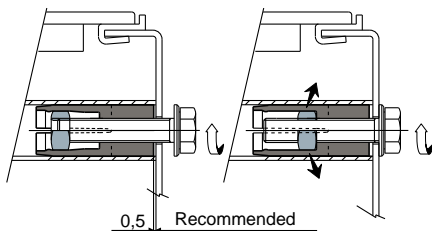
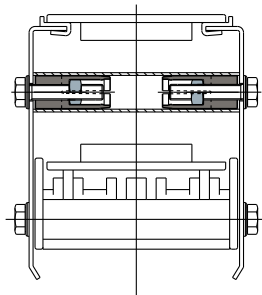
ON REQUEST:

- Plugs: Special thickness tubes.
- Box quantity: According to your request.

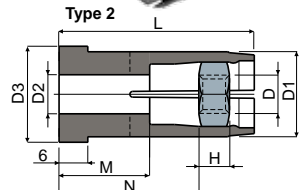
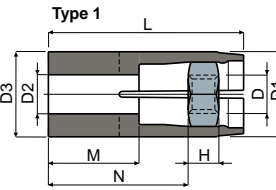
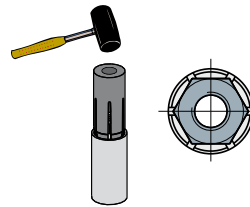
Expansion plug (for round tubes)

Part. **283**

Example of application



Pressure fitted



Tube dimensions											Type 1
Outside (mm)	Thickness (mm)	Inside (mm)	D (mm)	D1 (mm)	D2 (mm)	D3 (mm)	H (mm)	L (mm)	M (mm)	N (mm)	Code
20	1,5	17	M8	17	8,5	17	6,5	40,5	19	29	283 / 82579
33,7	1,5	30,7	M8	30,7	8,5	30,7	8	40,5	13	26	283 / 87815
38	1,5	35	M8	35	10,5	35	13	69	24,8	47,5	283 / 87816
42,4	1,5	39,4	M8	39,4	10,5	39,4	13	69	24,8	47,5	283 / 87364
48,3	1,5	45,3	M8	45,3	10,5	45,3	13	69	24,8	47,5	283 / 87817
25	1,5	22	M10	22	10,5	22	8	40,5	13	26	283 / 82505
33,7	1,5	30,7	M10	30,7	10,5	30,7	8	40,5	13	26	283 / 87818
38	1,5	35	M10	35	10,5	35	13	69	24,8	47,5	283 / 87819
42,4	1,5	39,4	M10	39,4	10,5	39,4	13	69	24,8	47,5	283 / 87365
48,3	1,5	45,3	M10	45,3	10,5	45,3	13	69	24,8	47,5	283 / 87820

Tube dimensions											Type 2
Outside (mm)	Thickness (mm)	Inside (mm)	D (mm)	D1 (mm)	D2 (mm)	D3 (mm)	H (mm)	L (mm)	M (mm)	N (mm)	Code
20	1,5	17	M8	17	8,5	20	6,5	40,5	19	29	283 / 82664
33,7	1,5	30,7	M8	30,7	8,5	33,7	8	40,5	13	26	283 / 87821
38	1,5	35	M8	35	10,5	38	13	69	24,8	47,5	283 / 87822
42,4	1,5	39,4	M8	39,4	10,5	42,4	13	69	24,8	47,5	283 / 87366
48,3	1,5	45,3	M8	45,3	10,5	48,3	13	69	24,8	47,5	283 / 87823
25	1,5	22	M10	22	10,5	25	8	40,5	13	26	283 / 84865
33,7	1,5	30,7	M10	30,7	10,5	33,7	8	40,5	13	26	283 / 87824
38	1,5	35	M10	35	10,5	38	13	69	24,8	47,5	283 / 87825
42,4	1,5	39,4	M10	39,4	10,5	42,4	13	69	24,8	47,5	283 / 87367
48,3	1,5	45,3	M10	45,3	10,5	48,3	13	69	24,8	47,5	283 / 87826

MATERIALS: Plug made of reinforced polyamide black colour; nut made of stainless steel AISI 304 (codes with outside tube dimension of 20 and 25 mm.) or made of brass (codes with outside tube dimension of 33,7 - 38 - 42,4 - 48,3 mm.).

FEATURES: Supplied assembled. To be assembled in the conveyor flanks.

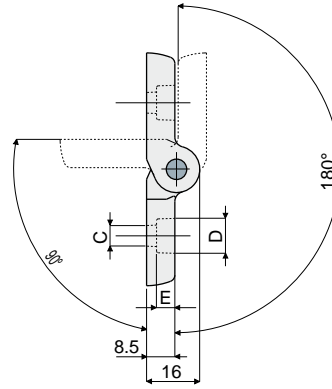
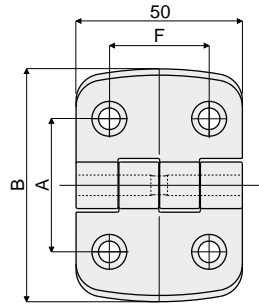
BOX QUANTITY: 48 pieces.

ON REQUEST:

- Plugs: Special thickness tubes.
- Box quantity: According to your request.

Hinges

Part. 233 Hinge



A (mm)	B (mm)	C (mm)	D (mm)	E (mm)	F (mm)	Code
34	50	5,5	10,5	3,5	34	233 / 80970
31	50	5,5	9	5	30	233 / 80772
40	70	6,5	10,5	6	30	233 / 80773
46	70	6,5	10,5	6	30	233 / 80774
46	70	8,5	13,5	5	30	233 / 80775

MATERIALS: Hinge made of reinforced polyamide black colour; pin made of stainless steel AISI 304.

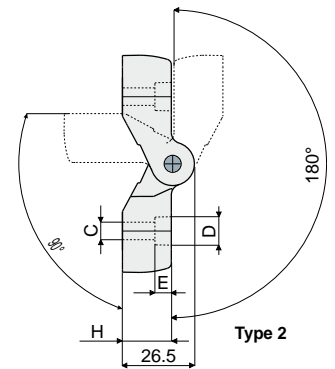
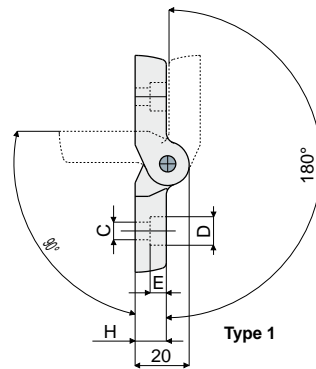
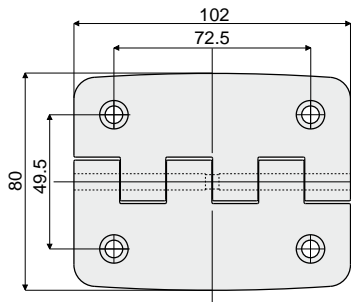
FEATURES: Maximum rotation 270°

BOX QUANTITY: 24 pieces.

ON REQUEST:

- Hinges: In reinforced polypropylene, other colours.
- Box quantity: According to your request.

Part. 234 Hinge



C (mm)	D (mm)	E (mm)	H (mm)	Type 1 Code
6,5	10,5	6	11,5	234 / 80776
8,5	13,5	8	11,5	234 / 80777

C (mm)	D (mm)	E (mm)	H (mm)	Type 2 Code
6,5	10,5	6	18	234 / 87520
8,5	13,5	8	18	234 / 87521

MATERIALS: Hinge made of reinforced polyamide black colour; pin made of stainless steel AISI 304.

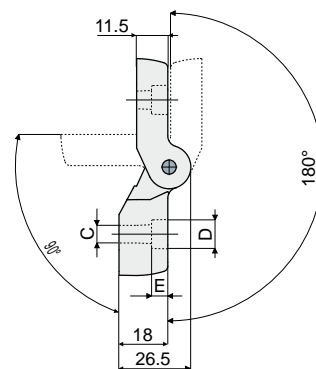
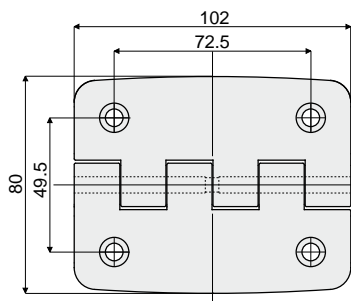
FEATURES: Maximum rotation 270°.

BOX QUANTITY: 24 pieces.

ON REQUEST:

- Hinges: In reinforced polypropylene, other colours.
- Box quantity: According to your request.

Part. 527 Hinge



C (mm)	D (mm)	E (mm)	Code
6,5	10,5	6	527 / 87522
8,5	13,5	8	527 / 87523

MATERIALS: Hinge made of reinforced polyamide black colour; pin made of stainless steel AISI 304.

FEATURES: Maximum rotation 270°.

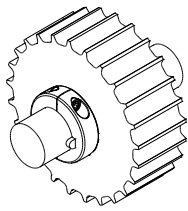
BOX QUANTITY: 24 pieces.

ON REQUEST:

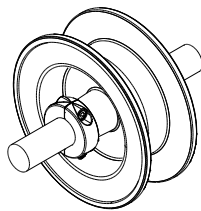
- Hinges: In reinforced polypropylene, other colours.
- Box quantity: According to your request.

Split shaft collars

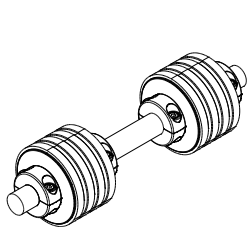
Example of applications



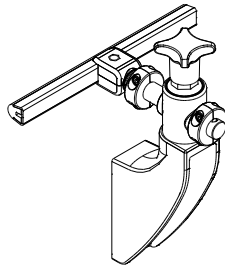
Sprockets



Idler wheels



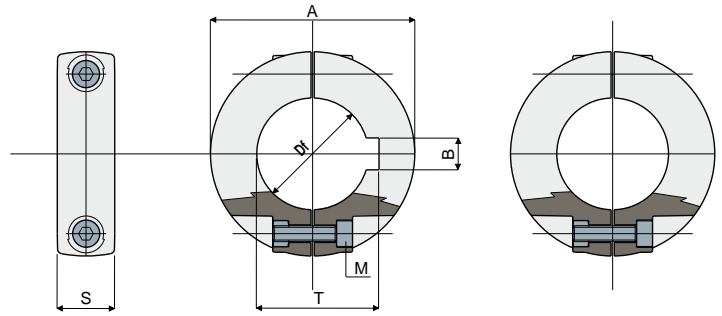
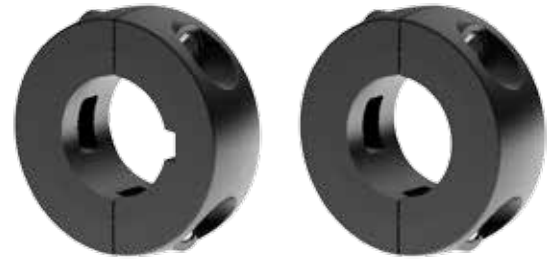
Rollers for chain return



Guide rail bracket

Split shaft collars

Part. 288



With Keyway

Without Keyway

With keyway						
Df (mm)	A (mm)	S (mm)	M (mm)	B (mm)	T (mm)	Code
20	40	14	M4	6	22,8	288 / 82555
25	50	14	M5	8	28,3	288 / 82556
30	50	14	M5	8	33,3	288 / 82557
35	65	14	M5	10	38,3	288 / 82558
40	65	14	M5	12	43,3	288 / 82559

Without keyway				
Df (mm)	A (mm)	S (mm)	M (mm)	Code
12	35	13	M4	288 / 82560
14	35	13	M4	288 / 82561
15	35	13	M4	288 / 83649
16	35	13	M4	288 / 82562
18	40	14	M4	288 / 82563
20	40	14	M4	288 / 82564
25	50	14	M5	288 / 82565
30	50	14	M5	288 / 82566
35	65	14	M5	288 / 82567
40	65	14	M5	288 / 82568

MATERIALS: Collars made out of reinforced polyamide black colour; bolt and nuts made out of stainless steel AISI 304.

FEATURES: Supplied assembled. To be assembled on the shaft to obtain wheels axial blocking; to be assembled on pins for guides supporting to adjust the position of guides according to the bottle size. Dimensions of the keyway UNI 6604-69 - DIN 6885/1

BOX QUANTITY: 96 pieces.

ON REQUEST:

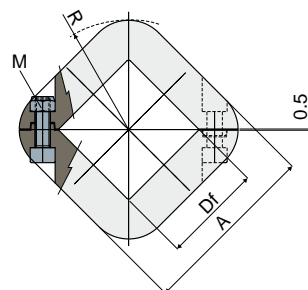
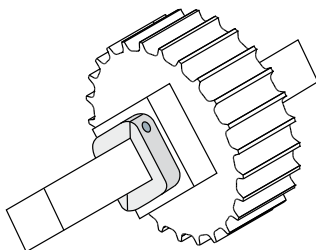
- Collars: With special bores, other colours.
- Box quantity: According to your request.

Split shaft collar

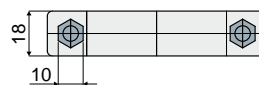
Part. 376

(with square bore 40x40 mm - 60x60 mm)

Example of application



M (mm)	Df (mm)	A (mm)	R (mm)	Code
M6	40	72	44	376 / 83895
M6	60	92	58	376 / 85067



MATERIALS: Collar made out of reinforced polyamide black colour; self-locking nuts and screws made of stainless steel AISI 304.

FEATURES: To be assembled on the shaft to obtain wheels axial blocking.

BOX QUANTITY: 96 pieces.

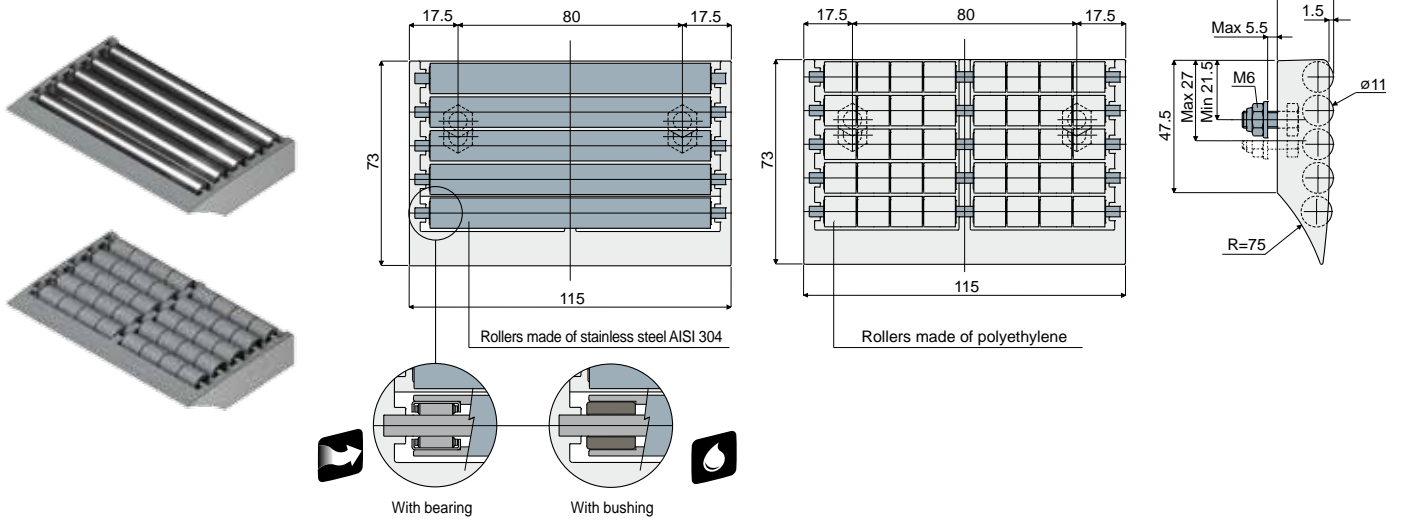
ON REQUEST:

- Box quantity: According to your request.

Modular transfer plates

Part. 257

Modular transfer plates with lip (width 115 mm 5 rows of rollers)



Rollers made of stainless steel AISI 304		Rollers made of Polyethylene
With bearings	With bushings	
Code	Code	Code
257 / 85004	257 / 85802	257 / 82005

MATERIALS: Modular transfer plate with external module made of grey colour acetal; rollers made of grey colour polyethylene or stainless steel AISI 304; bearings made of chrome steel; bushings made of auto-lubricating polyamide; pins and fixing nuts made of stainless steel AISI 304.

FEATURES: To be assembled at the end of your conveyor to help the products transfer. Low friction coefficient, minimum noise level, extremely cleanable. The versions with rollers made in stainless steel, are available both with bearings made of chrome steel or with bushings made of auto-lubricating polyamide which are suitable for applications in contact with water.

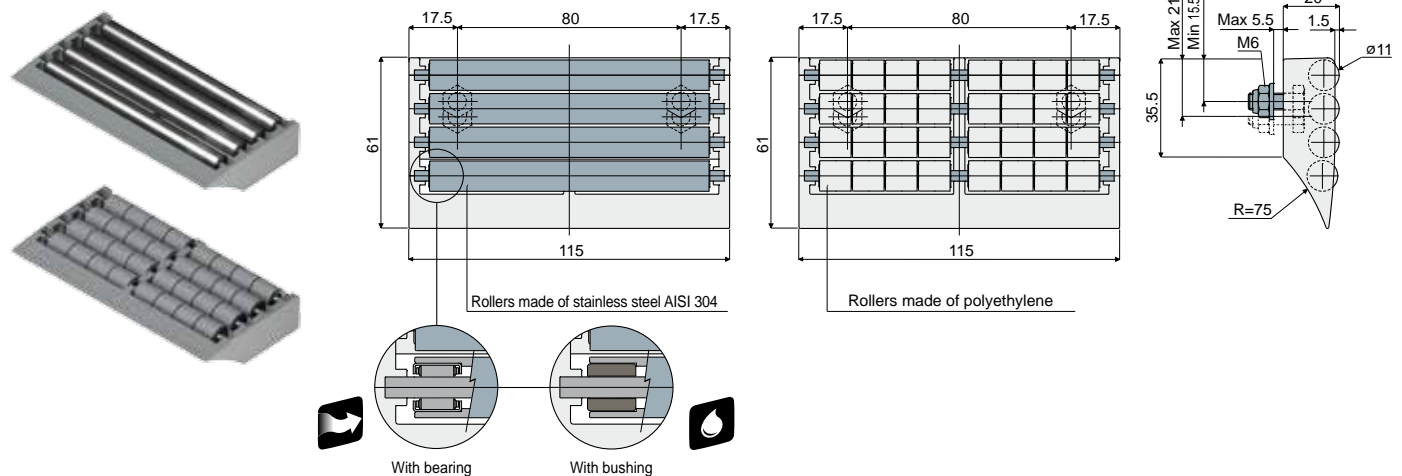
BOX QUANTITY: 8 pieces.

ON REQUEST:

- External module and rollers: Can be produced in other colours.
- Box quantity: According to your request.

Part. 417

Modular transfer plates with lip (width 115 mm 4 rows of rollers)



Rollers made of stainless steel AISI 304		Rollers made of Polyethylene
With bearings	With bushings	
Code	Code	Code
417 / 85031	417 / 85803	417 / 84576

MATERIALS: Modular transfer plate with external module made of grey colour acetal; rollers made of grey colour polyethylene or stainless steel AISI 304; bearings made of chrome steel; bushings made of auto-lubricating polyamide; pins and fixing nuts made of stainless steel AISI 304.

FEATURES: To be assembled at the end of your conveyor to help the products transfer. Low friction coefficient, minimum noise level, extremely cleanable. The versions with rollers made in stainless steel, are available both with bearings made of chrome steel or with bushings made of auto-lubricating polyamide which are suitable for applications in contact with water.

BOX QUANTITY: 8 pieces.

ON REQUEST:

- External module and rollers: Can be produced in other colours.
- Box quantity: According to your request.

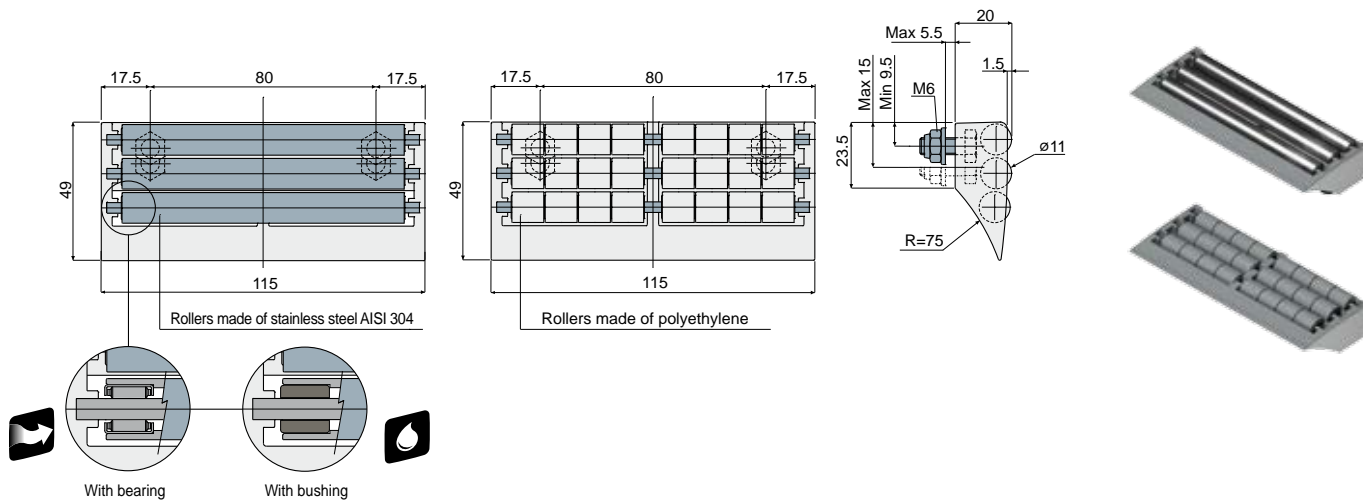
Suitable for applications which require maximum smoothness.

Suitable for applications in contact with water.

Modular transfer plates

Modular transfer plates with lip (width 115 mm 3 rows of rollers)

Part. **258**



Rollers made of stainless steel AISI 304		Rollers made of Polyethylene
With bearings	With bushings	
Code	Code	Code
258 / 85003	258 / 85804	258 / 82004

MATERIALS: Modular transfer plate with external module made of grey colour acetal; rollers made of grey colour polyethylene or stainless steel AISI 304; bearings made of chrome steel; bushings made of auto-lubricating polyamide; pins and fixing nuts made of stainless steel AISI 304.

FEATURES: To be assembled at the end of your conveyor to help the products transfer. Low friction coefficient, minimum noise level, extremely cleanable. The versions with rollers made in stainless steel, are available both with bearings made of chrome steel or with bushings made of auto-lubricating polyamide which are suitable for applications in contact with water.

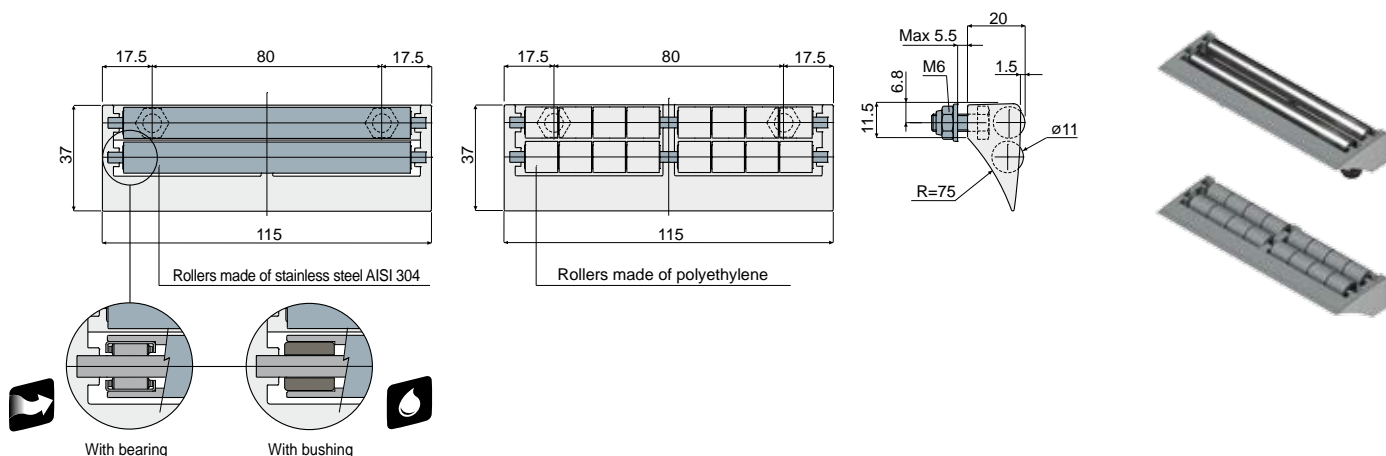
BOX QUANTITY: 8 pieces.

ON REQUEST:

- External module and rollers: Can be produced in other colours.
- Box quantity: According to your request.

Modular transfer plates with lip (width 115 mm 2 rows of rollers)

Part. **259**



Rollers made of stainless steel AISI 304		Rollers made of Polyethylene
With bearings	With bushings	
Code	Code	Code
259 / 85002	259 / 85805	259 / 82003

MATERIALS: Modular transfer plate with external module made of grey colour acetal; rollers made of grey colour polyethylene or stainless steel AISI 304; bearings made of chrome steel; bushings made of auto-lubricating polyamide; pins and fixing nuts made of stainless steel AISI 304.

FEATURES: To be assembled at the end of your conveyor to help the products transfer. Low friction coefficient, minimum noise level, extremely cleanable. The versions with rollers made in stainless steel, are available both with bearings made of chrome steel or with bushings made of auto-lubricating polyamide which are suitable for applications in contact with water.

BOX QUANTITY: 8 pieces.

ON REQUEST:

- External module and rollers: Can be produced in other colours.
- Box quantity: According to your request.



Suitable for applications which require maximum smoothness.

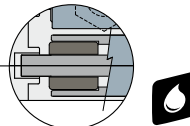
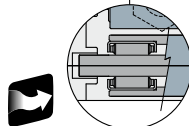
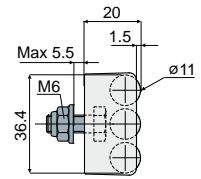
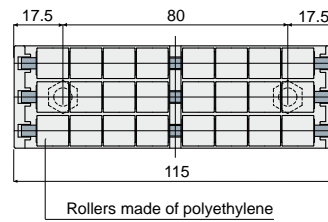
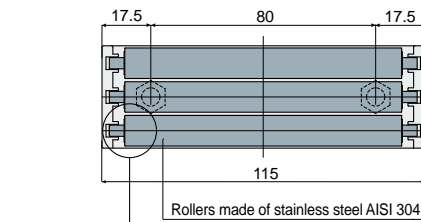


Suitable for applications in contact with water.

Modular transfer plates

Modular transfer plates without lip (width 115 mm 3 rows of rollers)

Part. 430



With bearing

With bushing

Rollers made of stainless steel AISI 304		Rollers made of Polyethylene
With bearings	With bushings	
Code	Code	Code
430 / 85080	430 / 85806	430 / 85084

MATERIALS: Modular transfer plate with external module made of grey colour acetal; rollers made of grey colour polyethylene or stainless steel AISI 304; bearings made of chrome steel; bushings made of auto-lubricating polyamide; pins and fixing nuts made of stainless steel AISI 304.

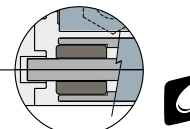
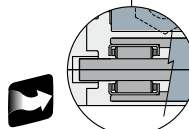
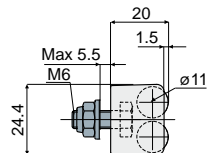
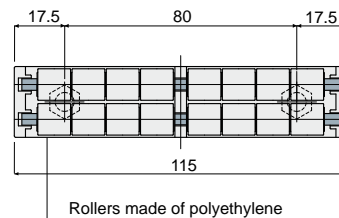
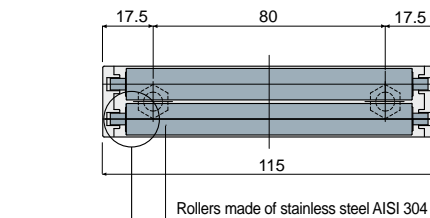
FEATURES: To be assembled at the end of your conveyor to help the products transfer. Low friction coefficient, minimum noise level, extremely cleanable. The versions with rollers made in stainless steel, are available both with bearings made of chrome steel or with bushings made of auto-lubricating polyamide which are suitable for applications in contact with water.

BOX QUANTITY: 8 pieces.

ON REQUEST:

- External module and rollers: Can be produced in other colours.
- Box quantity: According to your request.

Part. 431 Modular transfer plates without lip (width 115 mm 2 rows of rollers)



With bearing

With bushing

Rollers made of stainless steel AISI 304		Rollers made of Polyethylene
With bearings	With bushings	
Code	Code	Code
431 / 85081	431 / 85807	431 / 85085

MATERIALS: Modular transfer plate with external module made of grey colour acetal; rollers made of grey colour polyethylene or stainless steel AISI 304; bearings made of chrome steel; bushings made of auto-lubricating polyamide; pins and fixing nuts made of stainless steel AISI 304.

FEATURES: To be assembled at the end of your conveyor to help the products transfer. Low friction coefficient, minimum noise level, extremely cleanable. The versions with rollers made in stainless steel, are available both with bearings made of chrome steel or with bushings made of auto-lubricating polyamide which are suitable for applications in contact with water.

BOX QUANTITY: 8 pieces.

ON REQUEST:

- External module and rollers: Can be produced in other colours.
- Box quantity: According to your request.



Suitable for applications which require maximum smoothness.

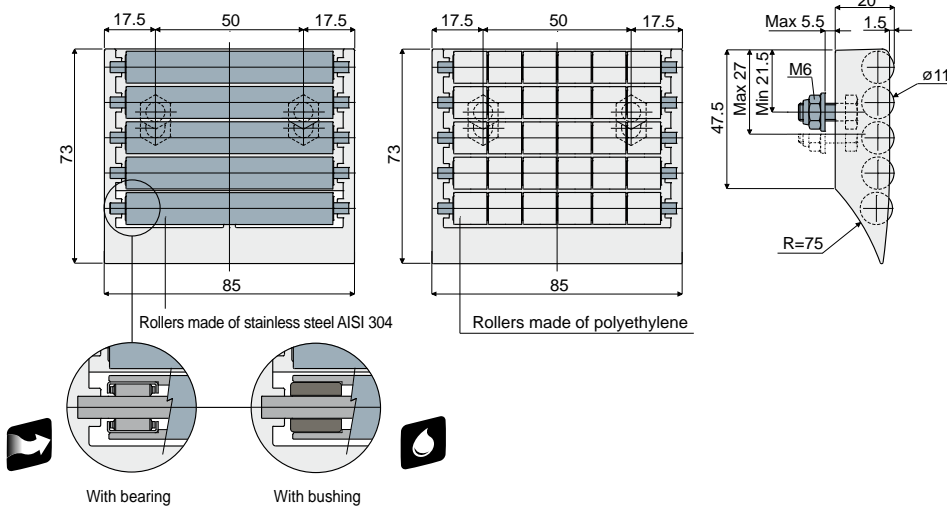


Suitable for applications in contact with water.

Modular transfer plates

Modular transfer plates with lip (width 85 mm 5 rows of rollers)

Part. **260**



Rollers made of stainless steel AISI 304		Rollers made of Polyethylene
With bearings	With bushings	
Code	Code	Code
260 / 85007	260 / 85808	260 / 82002

MATERIALS: Modular transfer plate with external module made of grey colour acetal; rollers made of grey colour polyethylene or stainless steel AISI 304; bearings made of chrome steel; bushings made of auto-lubricating polyamide; pins and fixing nuts made of stainless steel AISI 304.

FEATURES: To be assembled at the end of your conveyor to help the products transfer. Low friction coefficient, minimum noise level, extremely cleanable. The versions with rollers made in stainless steel, are available both with bearings made of chrome steel or with bushings made of auto-lubricating polyamide which are suitable for applications in contact with water.

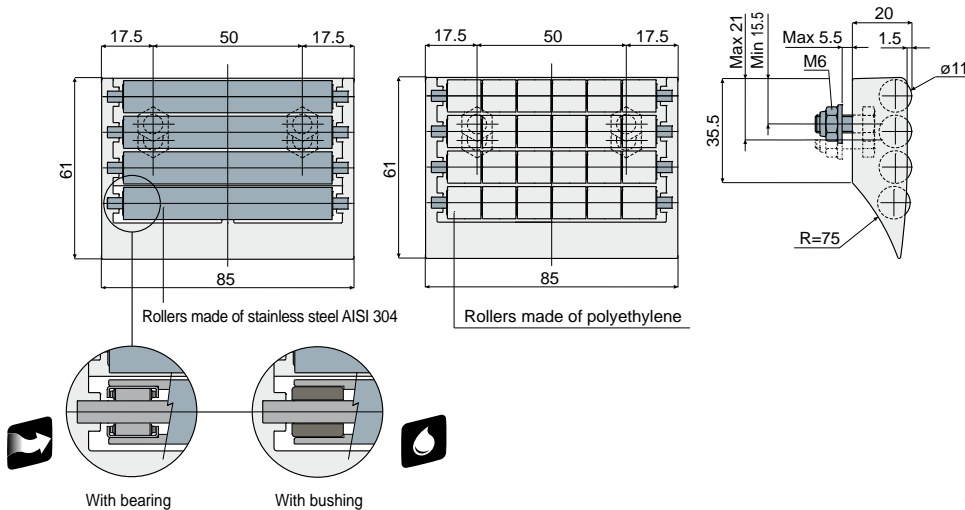
BOX QUANTITY: 8 pieces.

ON REQUEST:

- External module and rollers: Can be produced in other colours.
- Box quantity: According to your request.

Modular transfer plates with lip (width 85 mm 4 rows of rollers)

Part. **416**



Rollers made of stainless steel AISI 304		Rollers made of Polyethylene
With bearings	With bushings	
Code	Code	Code
416 / 85032	416 / 85809	416 / 84575

MATERIALS: Modular transfer plate with external module made of grey colour acetal; rollers made of grey colour polyethylene or stainless steel AISI 304; bearings made of chrome steel; bushings made of auto-lubricating polyamide; pins and fixing nuts made of stainless steel AISI 304.

FEATURES: To be assembled at the end of your conveyor to help the products transfer. Low friction coefficient, minimum noise level, extremely cleanable. The versions with rollers made in stainless steel, are available both with bearings made of chrome steel or with bushings made of auto-lubricating polyamide which are suitable for applications in contact with water.

BOX QUANTITY: 8 pieces.

ON REQUEST:

- External module and rollers: Can be produced in other colours.
- Box quantity: According to your request.



Suitable for applications which require maximum smoothness.

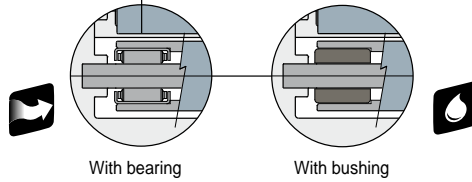
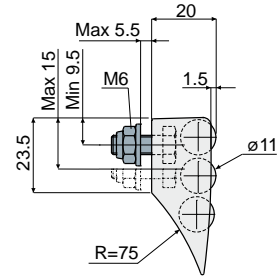
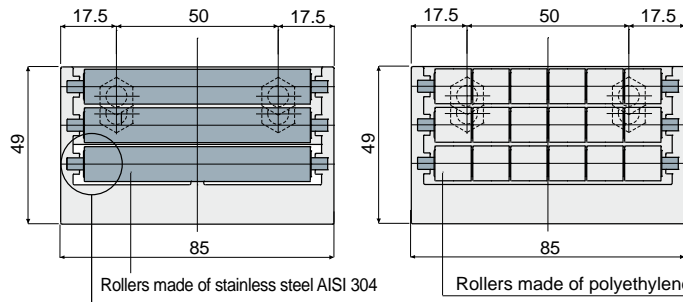


Suitable for applications in contact with water.

Modular transfer plates

Part. 261

Modular transfer plates with lip
(width 85 mm 3 rows of rollers)



Rollers made of stainless steel AISI 304	Rollers made of Polyethylene
With bearings	With bushings
Code	Code
261 / 85006	261 / 85810
	Code
	261 / 82001

MATERIALS: Modular transfer plate with external module made of grey colour acetal; rollers made of grey colour polyethylene or stainless steel AISI 304; bearings made of chrome steel; bushings made of auto-lubricating polyamide; pins and fixing nuts made of stainless steel AISI 304.

FEATURES: To be assembled at the end of your conveyor to help the products transfer. Low friction coefficient, minimum noise level, extremely cleanable. The versions with rollers made in stainless steel, are available both with bearings made of chrome steel or with bushings made of auto-lubricating polyamide which are suitable for applications in contact with water.

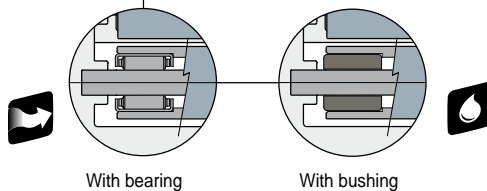
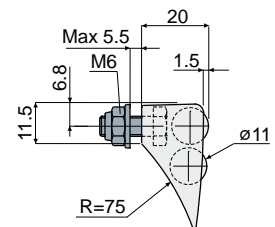
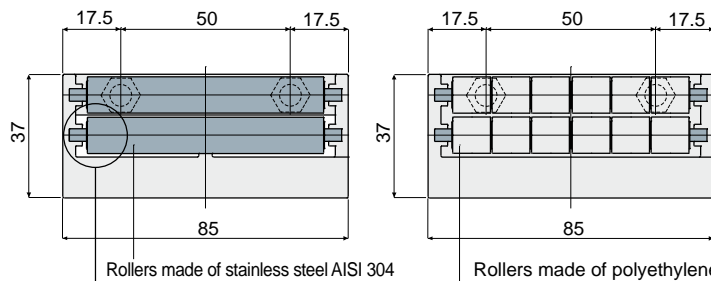
BOX QUANTITY: 8 pieces.

ON REQUEST:

- External module and rollers: Can be produced in other colours.
- Box quantity: According to your request.

Part. 262

Modular transfer plates with lip
(width 85 mm 2 rows of rollers)



Rollers made of stainless steel AISI 304	Rollers made of Polyethylene
With bearings	With bushings
Code	Code
262 / 85005	262 / 85811
	Code
	262 / 82000

MATERIALS: Modular transfer plate with external module made of grey colour acetal; rollers made of grey colour polyethylene or stainless steel AISI 304; bearings made of chrome steel; bushings made of auto-lubricating polyamide; pins and fixing nuts made of stainless steel AISI 304.

FEATURES: To be assembled at the end of your conveyor to help the products transfer. Low friction coefficient, minimum noise level, extremely cleanable. The versions with rollers made in stainless steel, are available both with bearings made of chrome steel or with bushings made of auto-lubricating polyamide which are suitable for applications in contact with water.

BOX QUANTITY: 8 pieces.

ON REQUEST:

- External module and rollers: Can be produced in other colours.
- Box quantity: According to your request.



Suitable for applications which require maximum smoothness.

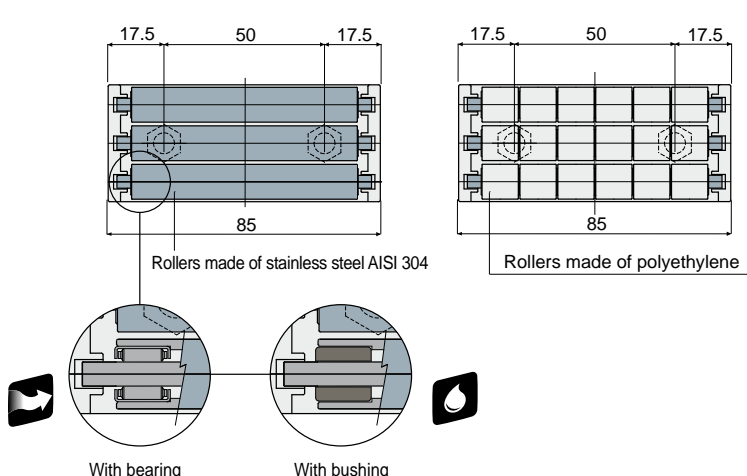


Suitable for applications in contact with water.

Modular transfer plates

Modular transfer plates without lip (width 85 mm 3 rows of rollers)

Part. **432**



Rollers made of stainless steel AISI 304		Rollers made of Polyethylene
With bearings	With bushings	
Code	Code	Code
432 / 85082	432 / 85812	432 / 85086

MATERIALS: Modular transfer plate with external module made of grey colour acetal; rollers made of grey colour polyethylene or stainless steel AISI 304; bearings made of chrome steel; bushings made of auto-lubricating polyamide; pins and fixing nuts made of stainless steel AISI 304.

FEATURES: To be assembled at the end of your conveyor to help the products transfer. Low friction coefficient, minimum noise level, extremely cleanable. The versions with rollers made in stainless steel, are available both with bearings made of chrome steel or with bushings made of auto-lubricating polyamide which are suitable for applications in contact with water.

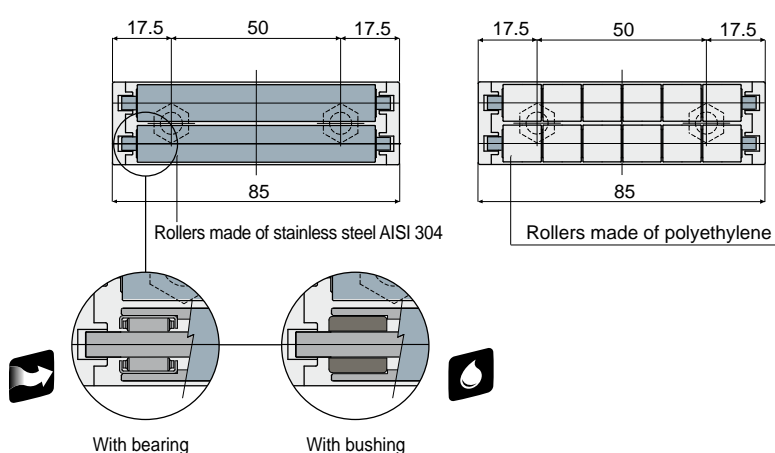
BOX QUANTITY: 8 pieces.

ON REQUEST:

- External module and rollers: Can be produced in other colours.
- Box quantity: According to your request.

Modular transfer plates without lip (width 85 mm 2 rows of rollers)

Part. **433**



Rollers made of stainless steel AISI 304		Rollers made of Polyethylene
With bearings	With bushings	
Code	Code	Code
433 / 85083	433 / 85813	433 / 85087

MATERIALS: Modular transfer plate with external module made of grey colour acetal; rollers made of grey colour polyethylene or stainless steel AISI 304; bearings made of chrome steel; bushings made of auto-lubricating polyamide; pins and fixing nuts made of stainless steel AISI 304.

FEATURES: To be assembled at the end of your conveyor to help the products transfer. Low friction coefficient, minimum noise level, extremely cleanable. The versions with rollers made in stainless steel, are available both with bearings made of chrome steel or with bushings made of auto-lubricating polyamide which are suitable for applications in contact with water.

BOX QUANTITY: 8 pieces.

ON REQUEST:

- External module and rollers: Can be produced in other colours.
- Box quantity: According to your request.



Suitable for applications which require maximum smoothness.

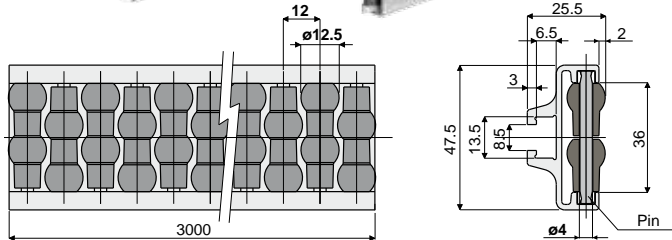
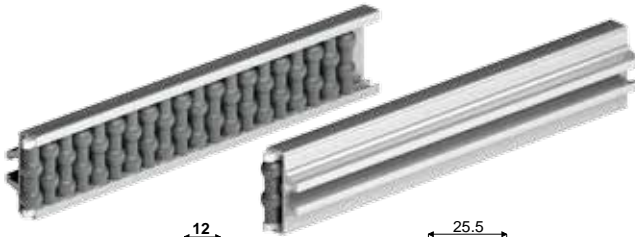


Suitable for applications in contact with water.

Product guides and accessories

Part. 306

Roller side guide with pearls
(single type, pitch of the rollers: 12 mm.)



Pins made of acetal	Pins made of stainless steel AISI 304
Code	Code
306 / 82809	306 / 84548

MATERIALS: Metal profile in anodized aluminium; rollers in grey polyethylene; support pins in white acetal or in stainless steel AISI 304.

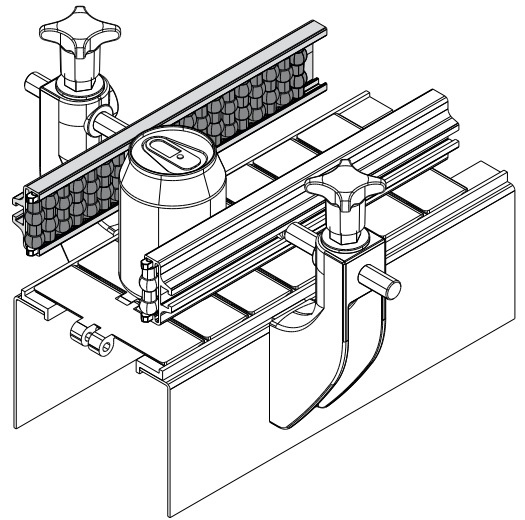
FEATURES: Supplied already assembled, in bars of 3 meters length.
Min. curvature radius: 250 mm.

BOX QUANTITY: 2 bars of 3 meters (total 6 meters).

ON REQUEST:

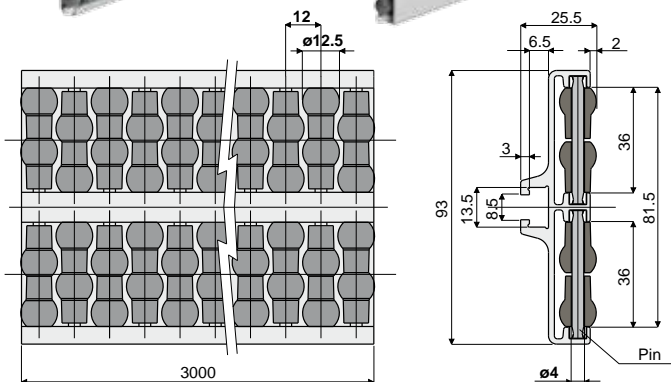
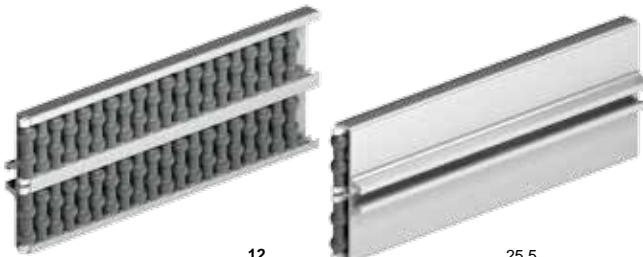
- Roller side guide: Other colours.

Example of application



Part. 307

Roller side guide with pearls
(double type, pitch of the rollers: 12 mm.)



Pins made of acetal	Pins made of stainless steel AISI 304
Code	Code
307 / 82810	307 / 84549

MATERIALS: Metal profile in anodized aluminium; rollers in grey polyethylene; support pins in white acetal or in stainless steel AISI 304.

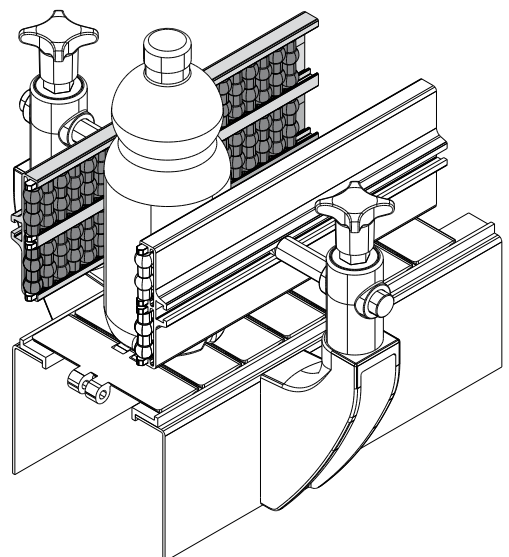
FEATURES: Supplied already assembled, in bars of 3 meters length.
Min. curvature radius: 500 mm.

BOX QUANTITY: 2 bars of 3 meters (total 6 meters).

ON REQUEST:

- Roller side guide: Other colours.

Example of application



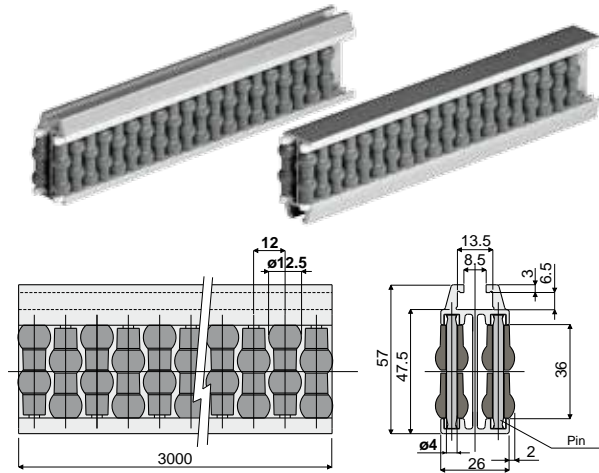
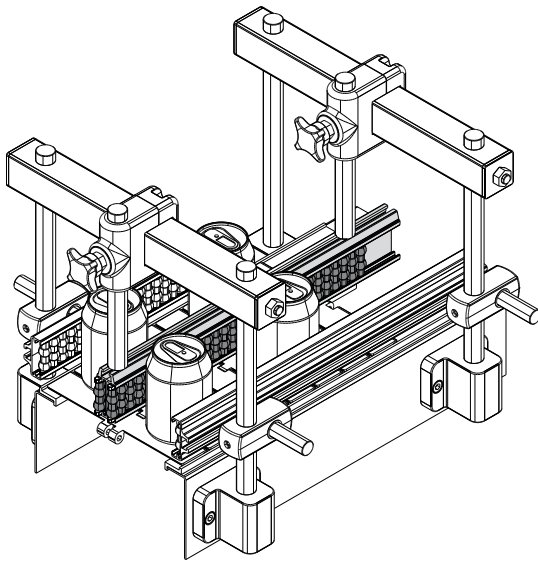
Suitable for applications which require maximum robustness.

Product guides and accessories

Roller central guide with pearls (single type, pitch of the rollers: 12 mm.)

Part. **308**

Example of application



Pins made of acetal	Pins made of stainless steel AISI 304
Code	Code
308 / 82811	308 / 84550

MATERIALS: Metal profile in anodized aluminium; rollers in grey polyethylene; support pins in white acetal or in stainless steel AISI 304.

FEATURES: Supplied already assembled, in bars of 3 meters length. Min. curvature radius: 500 mm.

BOX QUANTITY: 2 bars of 3 meters (total 6 meters).

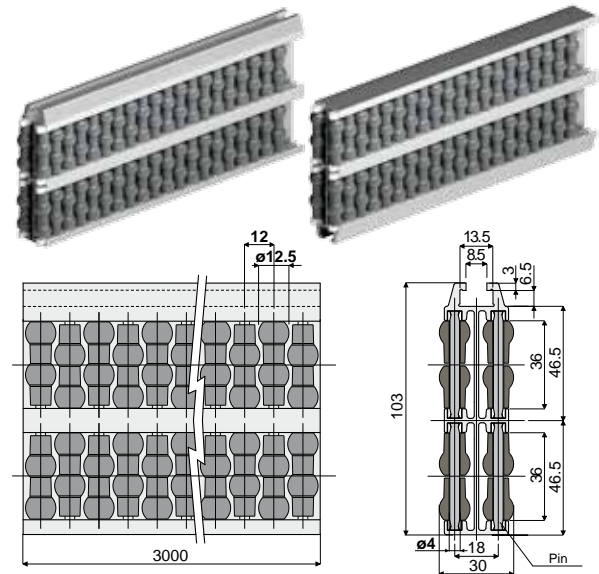
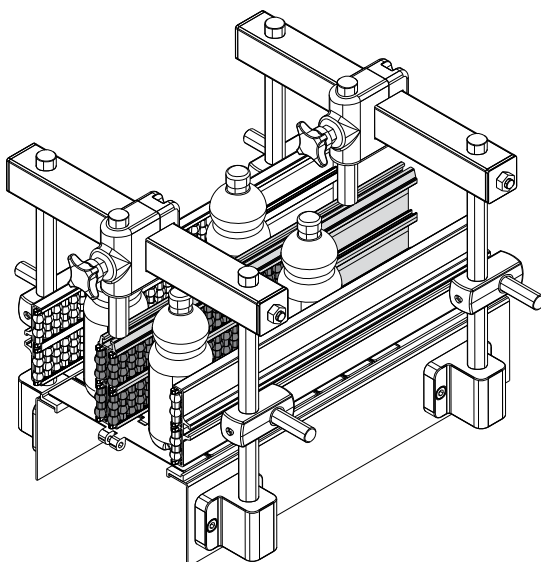
ON REQUEST:

- Roller central guide: Other colours.

Roller central guide with pearls (double type, pitch of the rollers: 12 mm.)

Part. **319**

Example of application



Pins made of acetal	Pins made of stainless steel AISI 304
Code	Code
319 / 82916	319 / 84551

MATERIALS: Metal profile in anodized aluminium; rollers in grey polyethylene; support pins in white acetal or in stainless steel AISI 304.

FEATURES: Supplied already assembled, in bars of 3 meters length. Min. curvature radius: 750 mm.

BOX QUANTITY: 2 bars of 3 meters (total 6 meters).

ON REQUEST:

- Roller central guide: Other colours.

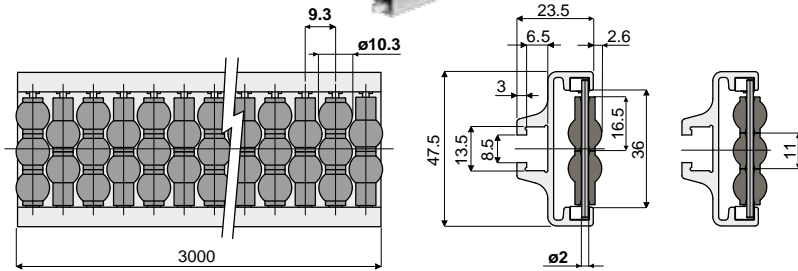
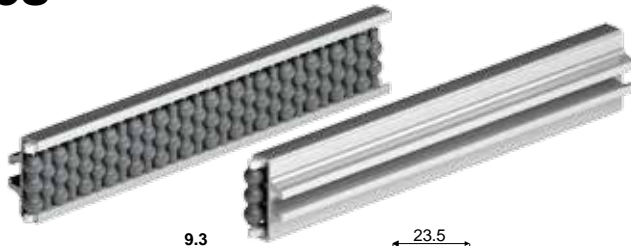


Suitable for applications which require maximum robustness.

Product guides and accessories

Part. 468

Roller side guide with pearls
(single type, pitch of the rollers: 9.3 mm.)



Code

468 / 85585

MATERIALS: Metal profile in anodized aluminium; rollers in grey polyethylene; support pins in stainless steel AISI 304.

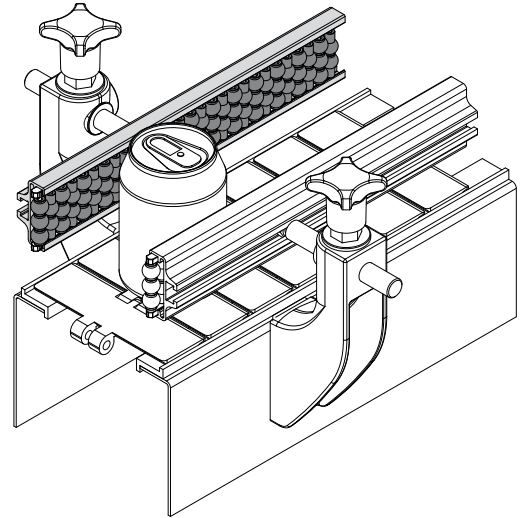
FEATURES: The reduced pitch of the rollers guarantees the maximum smoothness of the product. Supplied already assembled, in bars of 3 meters length. Min. curvature radius: 250 mm.

BOX QUANTITY: 2 bars of 3 meters (total 6 meters).

ON REQUEST:

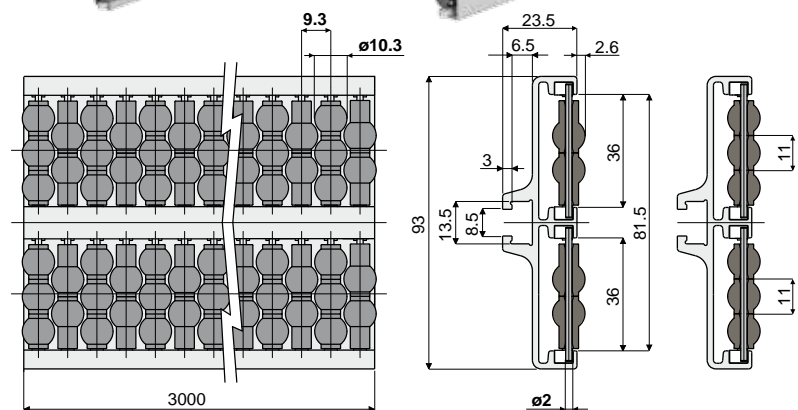
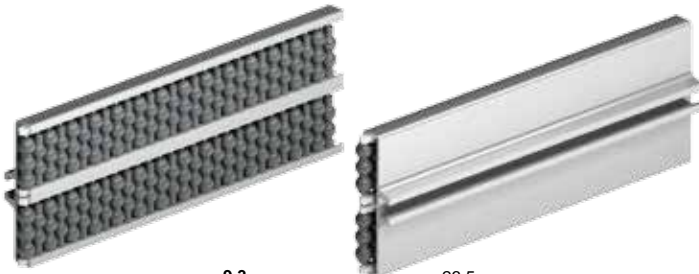
- Roller side guide: Other colours.

Example of application



Part. 474

Roller side guide with pearls
(double type, pitch of the rollers: 9.3 mm.)



Code

474 / 85978

MATERIALS: Metal profile in anodized aluminium; rollers in grey polyethylene; support pins in stainless steel AISI 304.

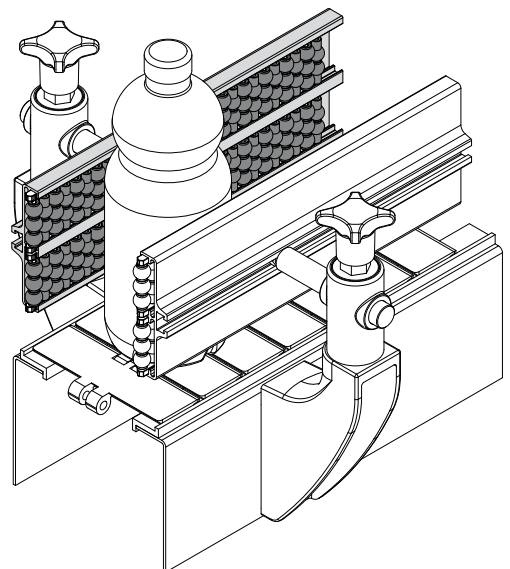
FEATURES: The reduced pitch of the rollers guarantees the maximum smoothness of the product. Supplied already assembled, in bars of 3 meters length. Min. curvature radius: 500 mm.

BOX QUANTITY: 2 bars of 3 meters (total 6 meters).

ON REQUEST:

- Roller side guide: Other colours.

Example of application



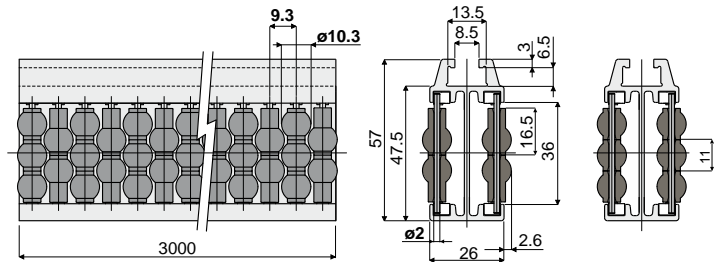
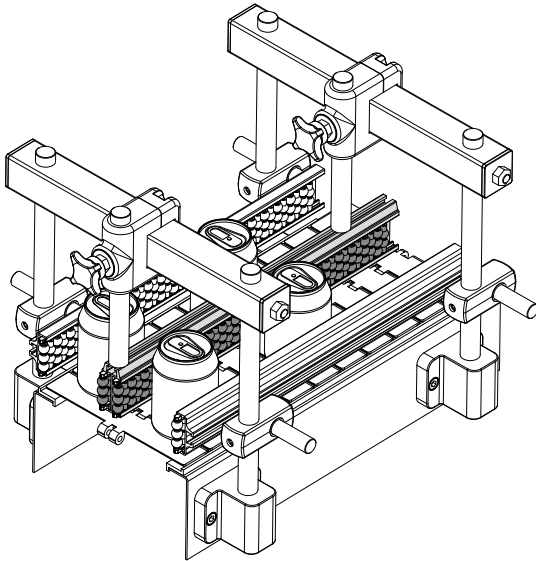
Suitable for applications which require maximum smoothness.

Product guides and accessories

Roller central guide with pearls (single type, pitch of the rollers: 9.3 mm.)

Part. **475**

Example of application



Code
475 / 85979

MATERIALS: Metal profile in anodized aluminium; rollers in grey polyethylene; support pins in stainless steel AISI 304.

FEATURES: The reduced pitch of the rollers guarantees the maximum smoothness of the product. Supplied already assembled, in bars of 3 meters length. Min. curvature radius: 500 mm.

BOX QUANTITY: 2 bars of 3 meters (total 6 meters).

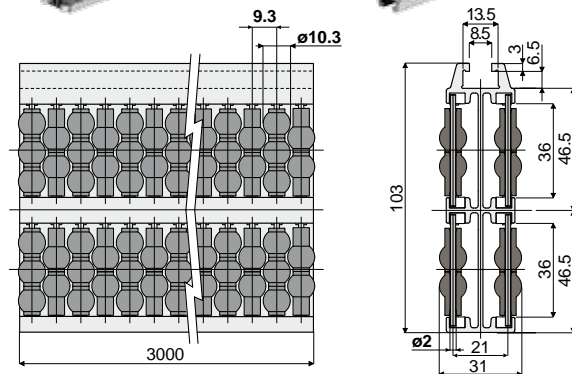
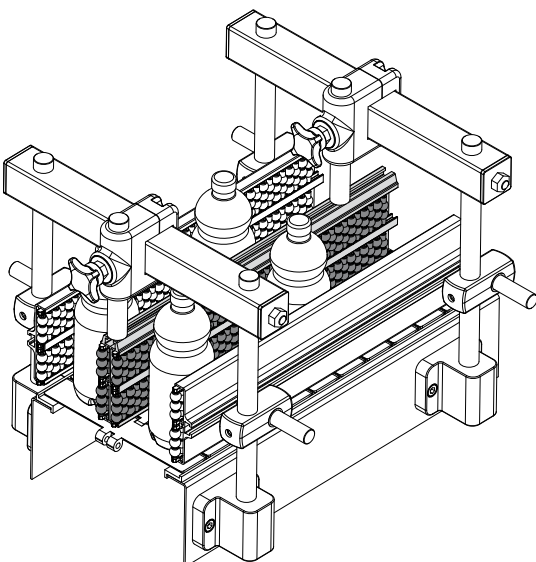
ON REQUEST:

- Roller central guide: Other colours.

Roller central guide with pearls (double type, pitch of the rollers: 9.3 mm.)

Part. **476**

Example of application



Code
476 / 85980

MATERIALS: Metal profile in anodized aluminium; rollers in grey polyethylene; support pins in stainless steel AISI 304.

FEATURES: The reduced pitch of the rollers guarantees the maximum smoothness of the product. Supplied already assembled, in bars of 3 meters length. Min. curvature radius: 750 mm.

BOX QUANTITY: 2 bars of 3 meters (total 6 meters).

ON REQUEST:

- Roller central guide: Other colours.

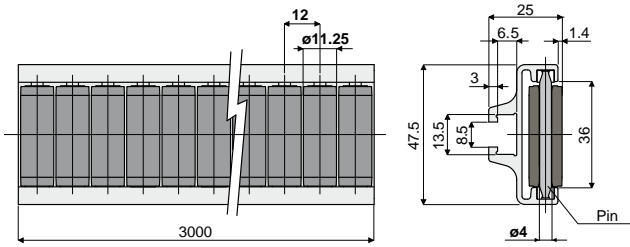


Suitable for applications which require maximum smoothness.

Product guides and accessories

Part. 325

Roller side guide with cylinders
(single type, pitch of the rollers: 12 mm.)



Pins made of acetal	Pins made of stainless steel AISI 304
Code	Code
325 / 83003	325 / 84552

MATERIALS: Metal profile in anodized aluminium; rollers in grey polyethylene; support pins in white acetal or in stainless steel AISI 304.

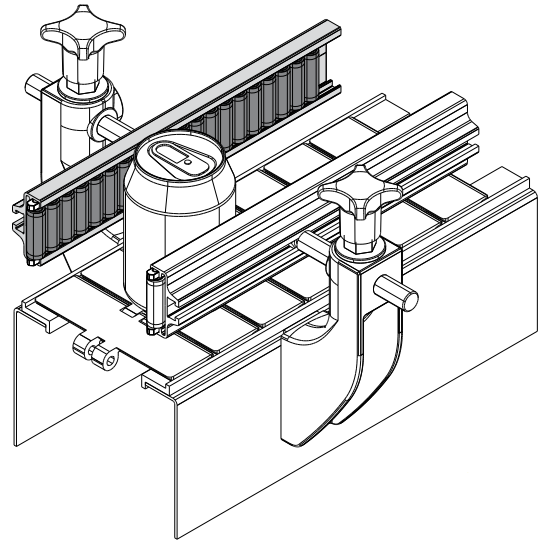
FEATURES: Supplied already assembled, in bars of 3 meters length.
Min. curvature radius: 250 mm.

BOX QUANTITY: 2 bars of 3 meters (total 6 meters).

ON REQUEST:

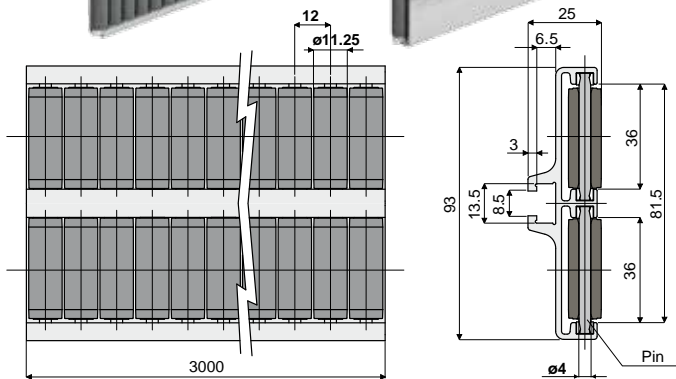
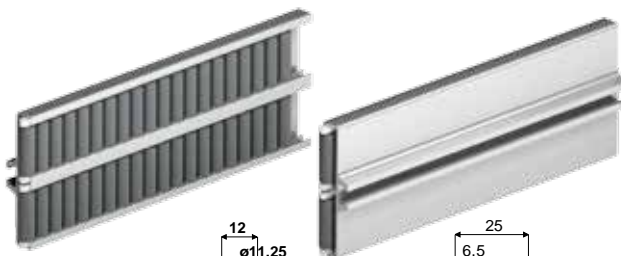
- Roller side guide: Other colours.

Example of application



Part. 326

Roller side guide with cylinders
(double type, pitch of the rollers: 12 mm.)



Pins made of acetal	Pins made of stainless steel AISI 304
Code	Code
326 / 83004	326 / 84553

MATERIALS: Metal profile in anodized aluminium; rollers in grey polyethylene; support pins in white acetal or in stainless steel AISI 304.

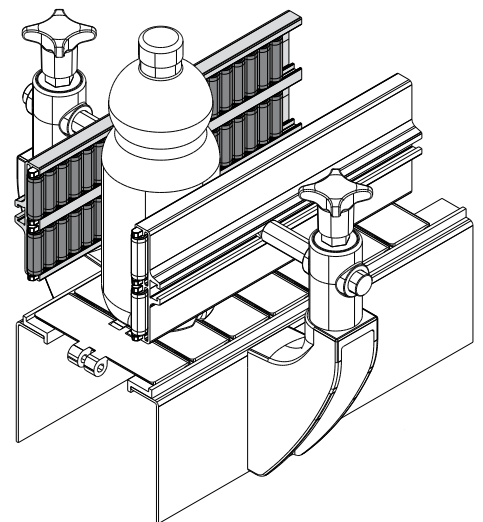
FEATURES: Supplied already assembled, in bars of 3 meters length.
Min. curvature radius: 500 mm.

BOX QUANTITY: 2 bars of 3 meters (total 6 meters).

ON REQUEST:

- Roller side guide: Other colours.

Example of application



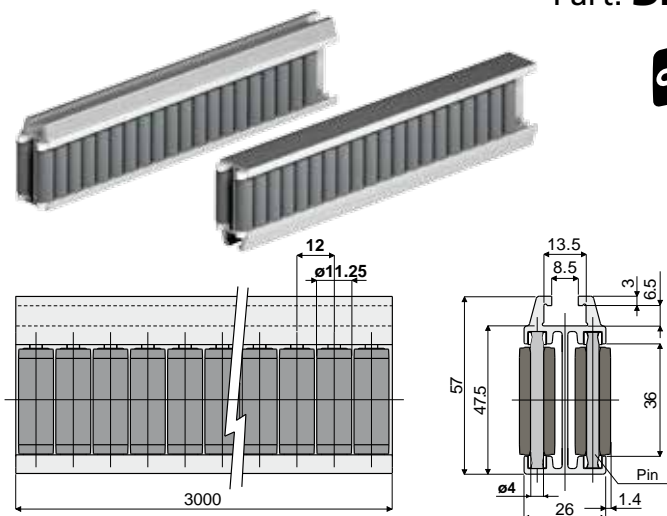
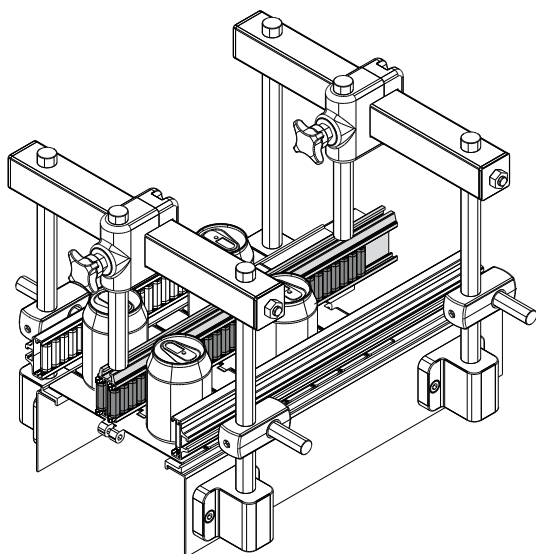
Suitable for applications which require maximum robustness.

Product guides and accessories

Roller central guide with cylinders (single type, pitch of the rollers: 12 mm.)

Part. **327**

Example of application



Pins made of acetal	Pins made of stainless steel AISI 304
Code	Code
327 / 83005	327 / 84555

MATERIALS: Metal profile in anodized aluminium; rollers in grey polyethylene; support pins in white acetal or in stainless steel AISI 304.

FEATURES: Supplied already assembled, in bars of 3 meters length.
Min. curvature radius: 500 mm.

BOX QUANTITY: 2 bars of 3 meters (total 6 meters).

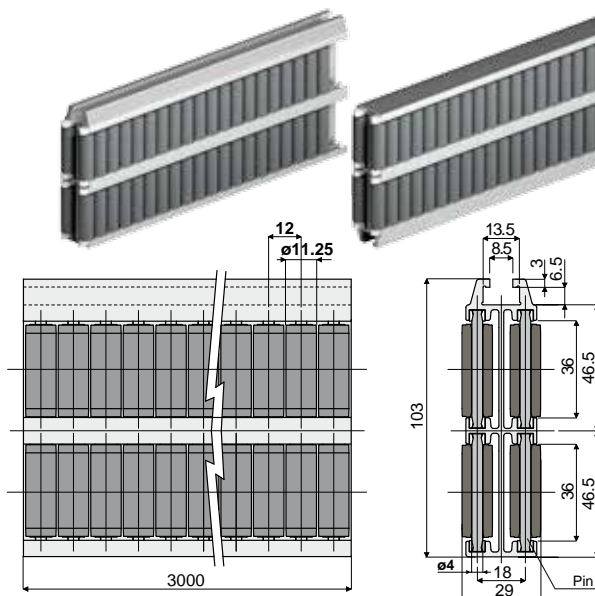
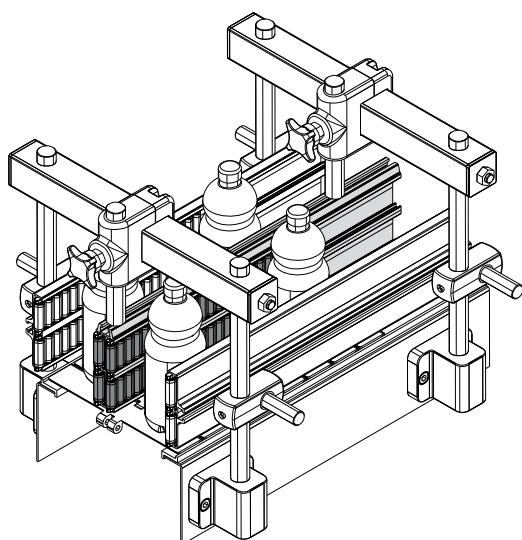
ON REQUEST:

- Roller central guide: Other colours.

Roller central guide with cylinders (double type, pitch of the rollers: 12 mm.)

Part. **328**

Example of application



Pins made of acetal	Pins made of stainless steel AISI 304
Code	Code
328 / 83006	328 / 84556

MATERIALS: Metal profile in anodized aluminium; rollers in grey polyethylene; support pins in white acetal or in stainless steel AISI 304.

FEATURES: Supplied already assembled, in bars of 3 meters length.
Min. curvature radius: 750 mm.

BOX QUANTITY: 2 bars of 3 meters (total 6 meters).

ON REQUEST:

- Roller central guide: Other colours.

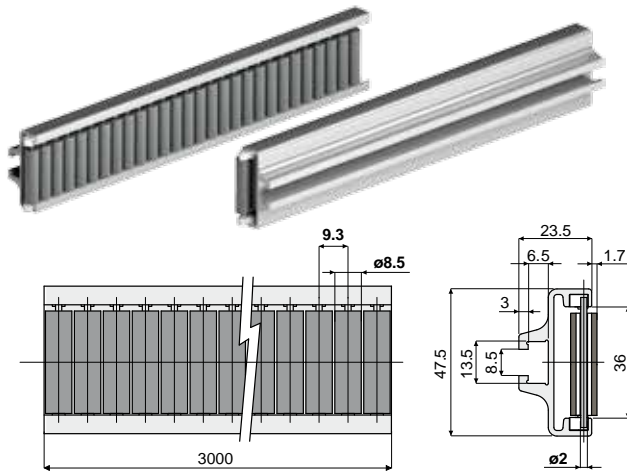


Suitable for applications which require maximum robustness.

Product guides and accessories

Part. 467

Roller side guide with rubberised cylinders
(single type, pitch of the rollers: 9.3 mm.)



Code

467 / 85584

MATERIALS: Metal profile in anodized aluminium; rollers in polyethylene and grey colour rubber; support pins in stainless steel AISI 304.

FEATURES: The rubberised surface of the rollers guarantees a lower noise level. Supplied already assembled, in bars of 3 meters length. Min. curvature radius: 250 mm.

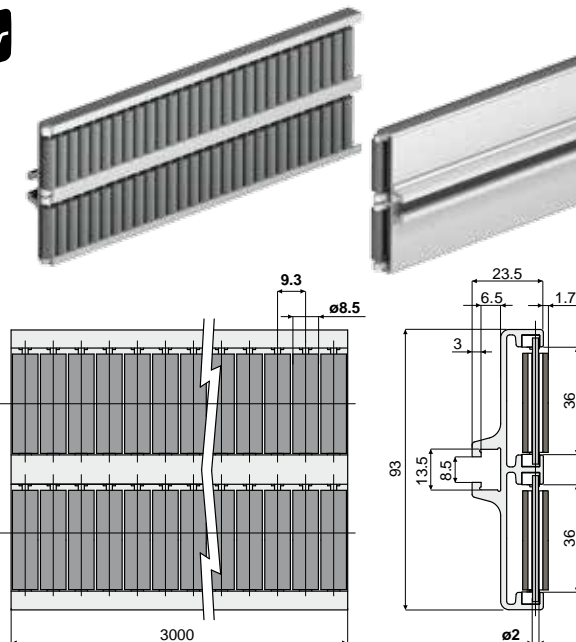
BOX QUANTITY: 2 bars of 3 meters (total 6 meters).

ON REQUEST:

- Roller side guide: Other colours.

Part. 477 **Roller side guide with rubberised cylinders**

(double type, pitch of the rollers: 9.3 mm.)



Code

477 / 85981

MATERIALS: Metal profile in anodized aluminium; rollers in polyethylene and grey colour rubber; support pins in stainless steel AISI 304.

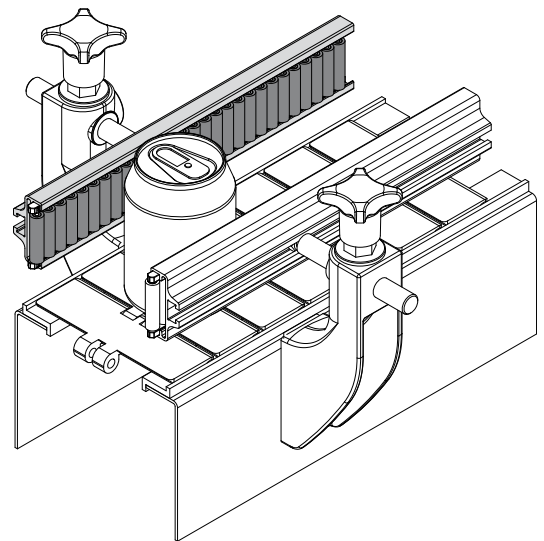
FEATURES: The rubberised surface of the rollers guarantees a lower noise level. Supplied already assembled, in bars of 3 meters length. Min. curvature radius: 500 mm.

BOX QUANTITY: 2 bars of 3 meters (total 6 meters).

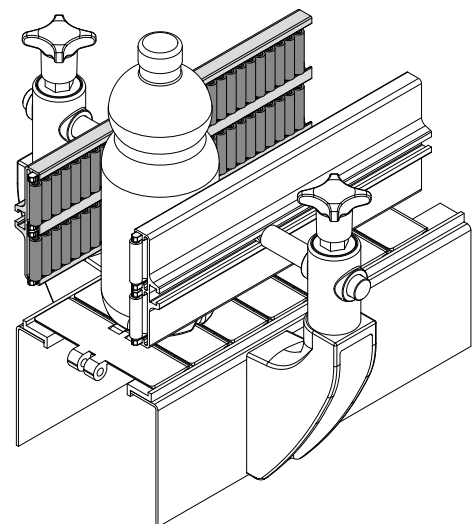
ON REQUEST:

- Roller side guide: Other colours.

Example of application



Example of application



Suitable for applications which require low noise levels.

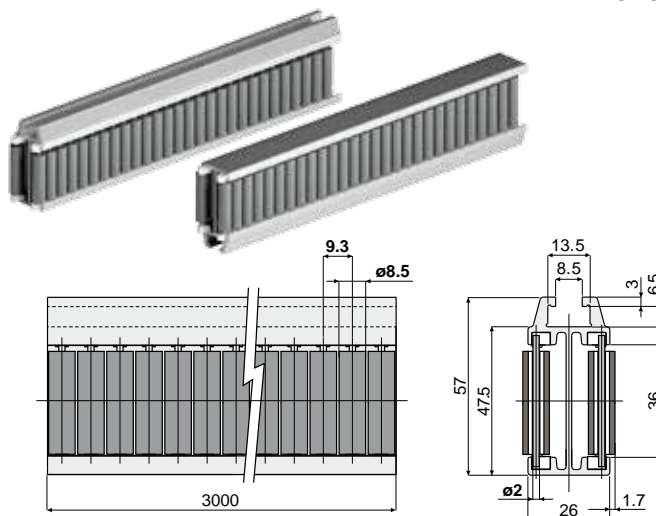
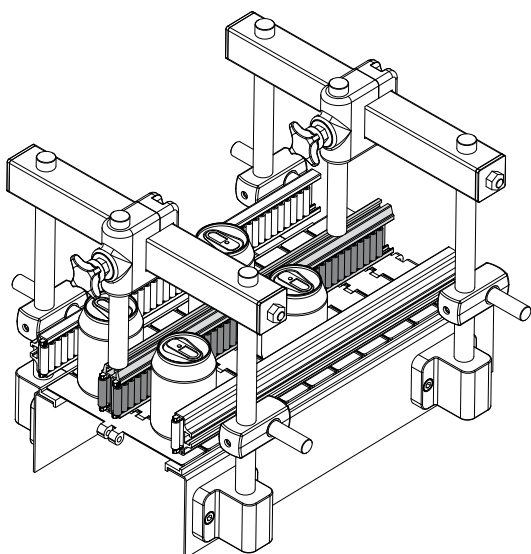
Product guides and accessories

Roller central guide with rubberised cylinders (single type, pitch of the rollers: 9.3 mm.)

Part. **478**



Example of application



Code
478 / 85982

MATERIALS: Metal profile in anodized aluminium; rollers in polyethylene and grey colour rubber; support pins in stainless steel AISI 304.

FEATURES: The rubberised surface of the rollers guarantees a lower noise level. Supplied already assembled, in bars of 3 meters length. Min. curvature radius: 500 mm.

BOX QUANTITY: 2 bars of 3 meters (total 6 meters).

ON REQUEST:

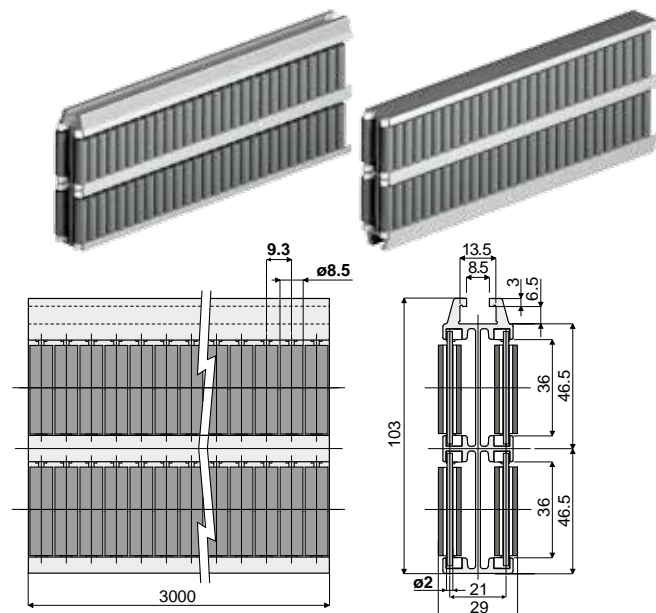
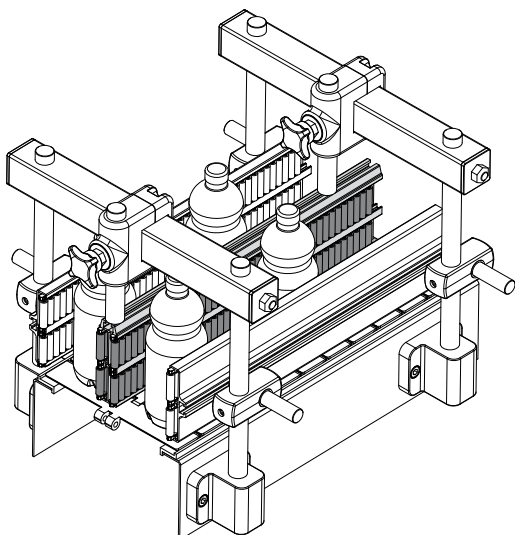
- Roller central guide: Other colours.

Roller central guide with rubberised cylinders (double type, pitch of the rollers: 9.3 mm.)

Part. **479**



Example of application



Code
479 / 85983

MATERIALS: Metal profile in anodized aluminium; rollers in polyethylene and grey colour rubber; support pins in stainless steel AISI 304.

FEATURES: The rubberised surface of the rollers guarantees a lower noise level. Supplied already assembled, in bars of 3 meters length. Min. curvature radius: 750 mm.

BOX QUANTITY: 2 bars of 3 meters (total 6 meters).

ON REQUEST:

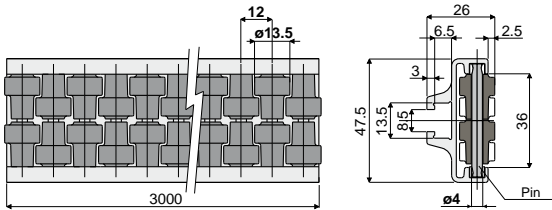
- Roller central guide: Other colours.



Suitable for applications which require low noise levels.

Product guides and accessories

Part. **355** Roller side guide with round rollers (single type, pitch of the rollers: 12 mm.)



Pins made of acetal	Pins made of stainless steel AISI 304
Code	Code
355 / 83473	355 / 84557

MATERIALS: Metal profile in anodized aluminium; rollers in grey polyethylene; support pins in white acetal or in stainless steel AISI 304.

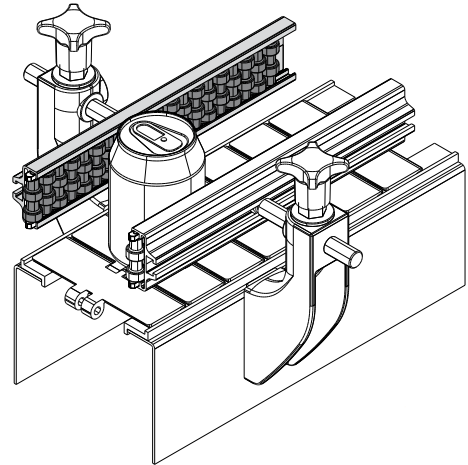
FEATURES: Supplied already assembled, in bars of 3 meters length. Min. curvature radius: 250 mm.

BOX QUANTITY: 2 bars of 3 meters (total 6 meters).

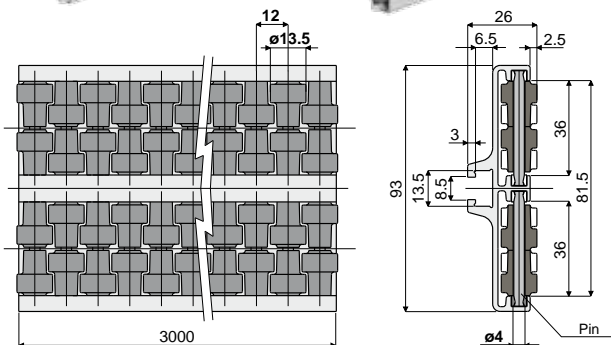
ON REQUEST:

- Roller side guide: Other colours.

Example of application



Part. **356** Roller side guide with round rollers (double type, pitch of the rollers: 12 mm.)



Pins made of acetal	Pins made of stainless steel AISI 304
Code	Code
356 / 83474	356 / 84558

MATERIALS: Metal profile in anodized aluminium; rollers in grey polyethylene; support pins in white acetal or in stainless steel AISI 304.

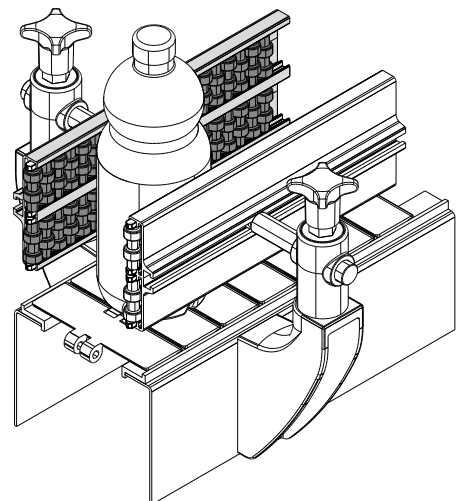
FEATURES: Supplied already assembled, in bars of 3 meters length. Min. curvature radius: 500 mm.

BOX QUANTITY: 2 bars of 3 meters (total 6 meters).

ON REQUEST:

- Roller side guide: Other colours.

Example of application



Suitable for applications which require maximum robustness.

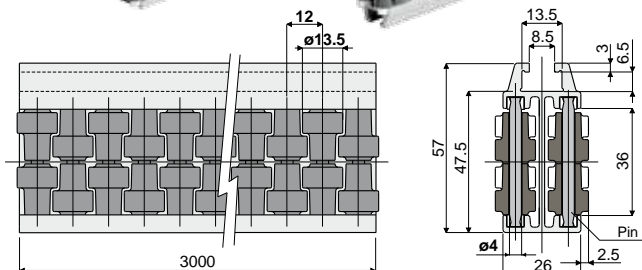
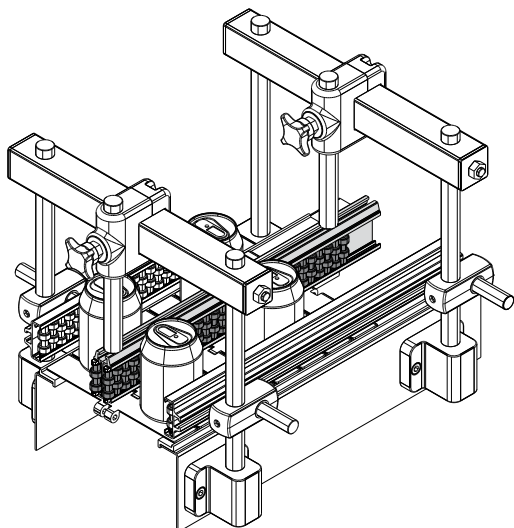
Product guides and accessories

Roller central guide with round rollers

(single type, pitch of the rollers: 12 mm.)

Part. **357**

Example of application



Pins made of acetal	Pins made of stainless steel AISI 304
Code	Code
357 / 83475	357 / 84559

MATERIALS: Metal profile in anodized aluminium; rollers in grey polyethylene; support pins in white acetal or in stainless steel AISI 304.

FEATURES: Supplied already assembled, in bars of 3 meters length.
 Min. curvature radius: 500 mm.

BOX QUANTITY: 2 bars of 3 meters (total 6 meters).

ON REQUEST:

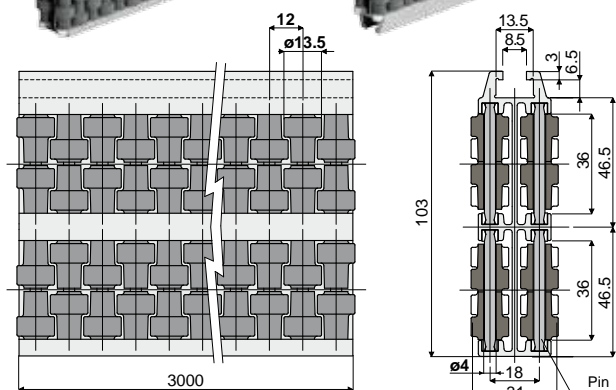
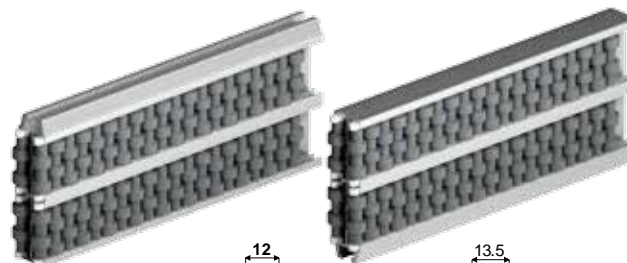
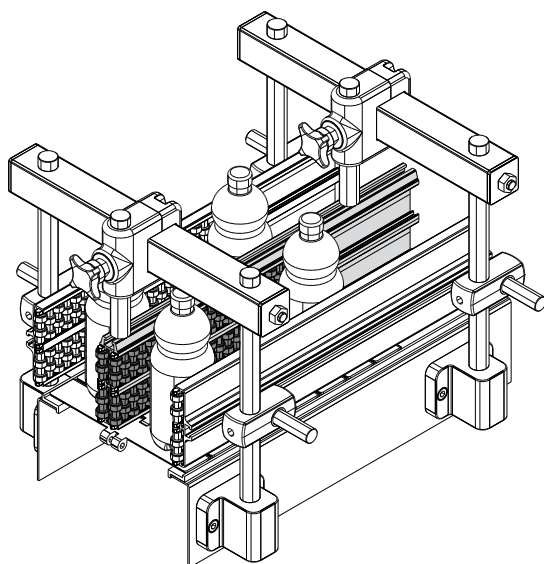
- Roller central guide: Other colours.

Roller central guide with round rollers

(double type, pitch of the rollers: 12 mm.)

Part. **358**

Example of application



Pins made of acetal	Pins made of stainless steel AISI 304
Code	Code
358 / 83476	358 / 84560

MATERIALS: Metal profile in anodized aluminium; rollers in grey polyethylene; support pins in white acetal or in stainless steel AISI 304.

FEATURES: Supplied already assembled, in bars of 3 meters length.
 Min. curvature radius: 750 mm.

BOX QUANTITY: 2 bars of 3 meters (total 6 meters).

ON REQUEST:

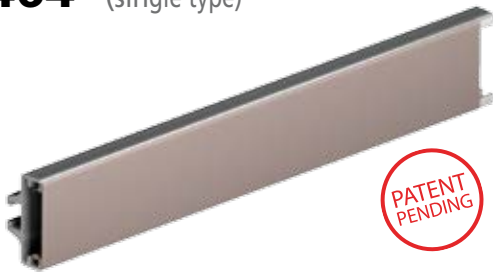
- Roller central guide: Other colours.



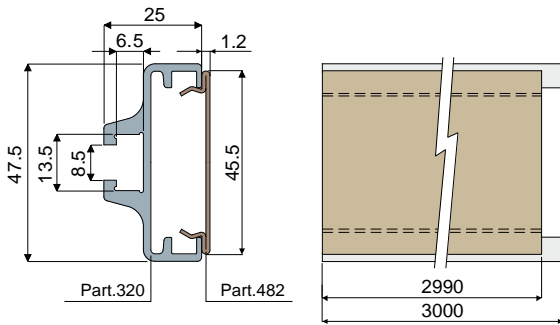
Suitable for applications which require maximum robustness.

Product guides and accessories

Part. 464 Side guide (single type)



PATENT PENDING



Code
464 / 85561

MATERIALS: Metal profile in anodized aluminium; guide profile in stainless steel AISI 304 covered with peek.

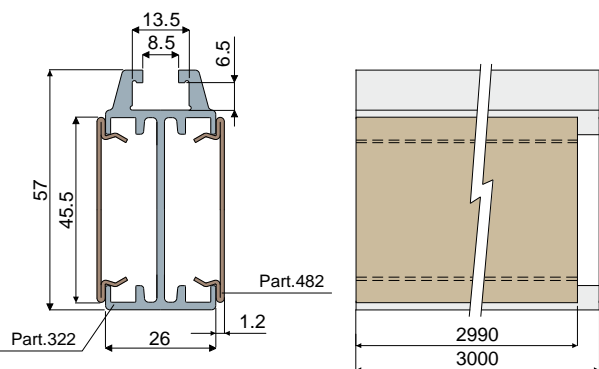
FEATURES: Suitable for use with bundles covered with shrink-wrapped polyethylene film. The coating with peek guarantees maximum smoothness of the product. Suitable for high temperatures applications. Peek covering thickness: min. 40 µ, max 50 µ. Supplied already assembled, in bars of 3 meters length.

BOX QUANTITY: 2 bars of 3 meters (total 6 meters).

Part. 480 Central guide (single type)



PATENT PENDING



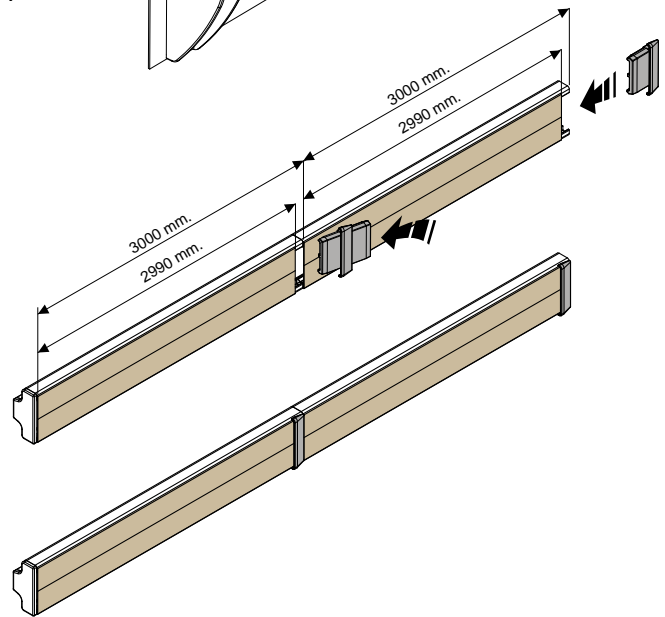
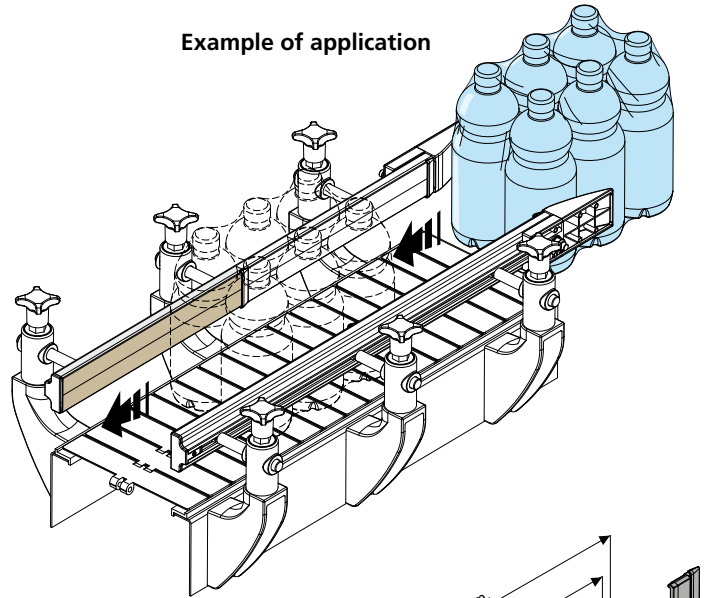
Code
480 / 86696

MATERIALS: Metal profile in anodized aluminium; guide profile in stainless steel AISI 304 covered with peek.

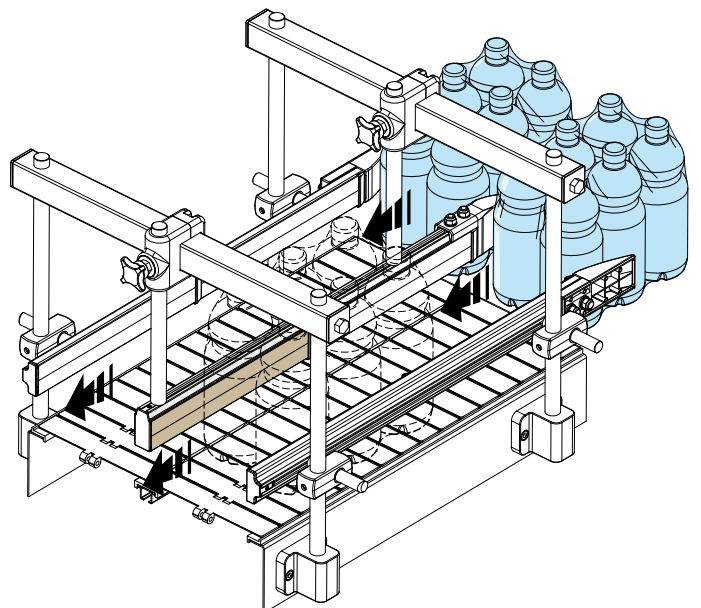
FEATURES: Suitable for use with bundles covered with shrink-wrapped polyethylene film. The coating with peek guarantees maximum smoothness of the product. Suitable for high temperatures applications. Peek covering thickness: min. 40 µ, max 50 µ. Supplied already assembled, in bars of 3 meters length.

BOX QUANTITY: 2 bars of 3 meters (total 6 meters).

Example of application



Example of application



Suitable for applications which require maximum smoothness.



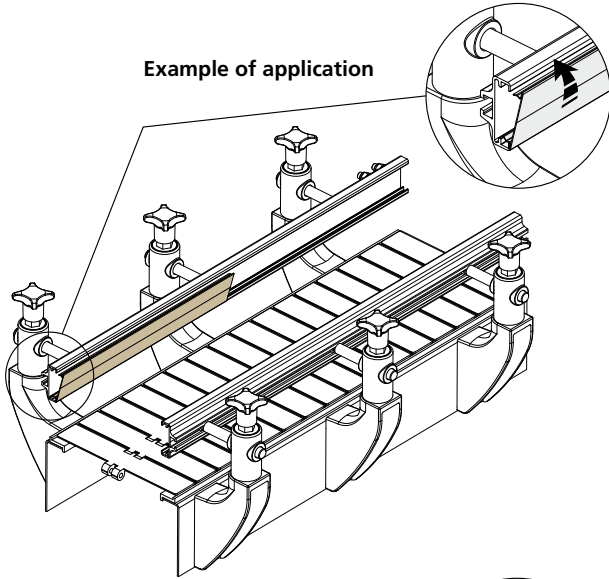
Suitable for use with bundles covered with shrink-wrapped polyethylene film.



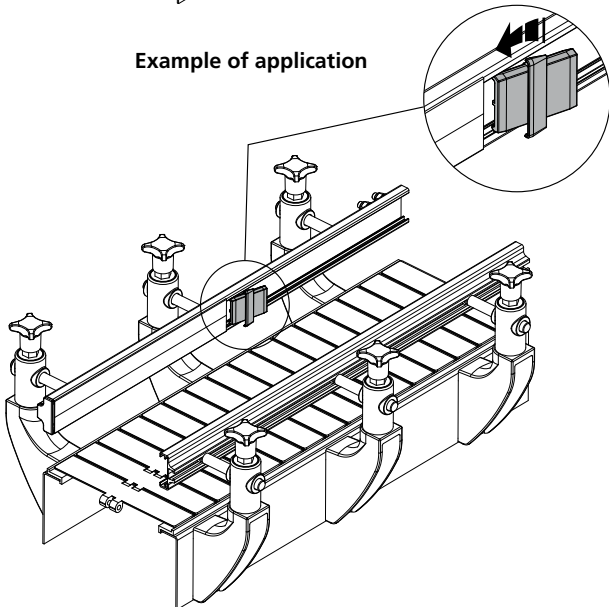
Suitable for high temperatures applications.

Product guides and accessories

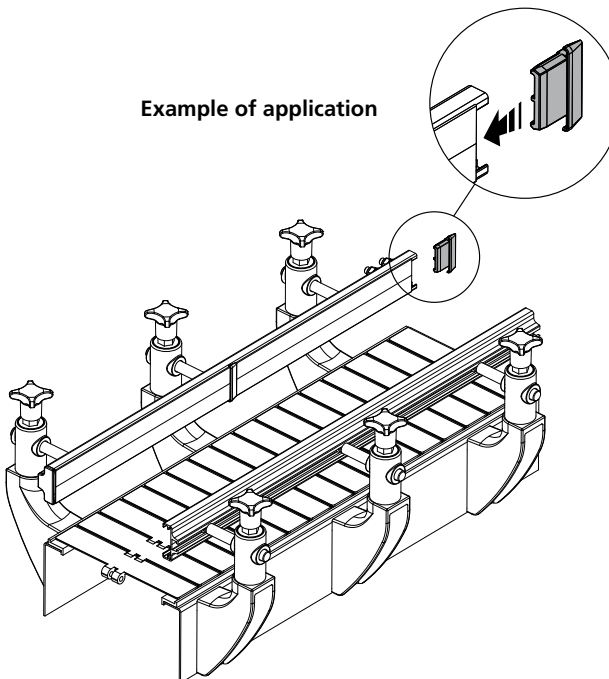
Example of application



Example of application

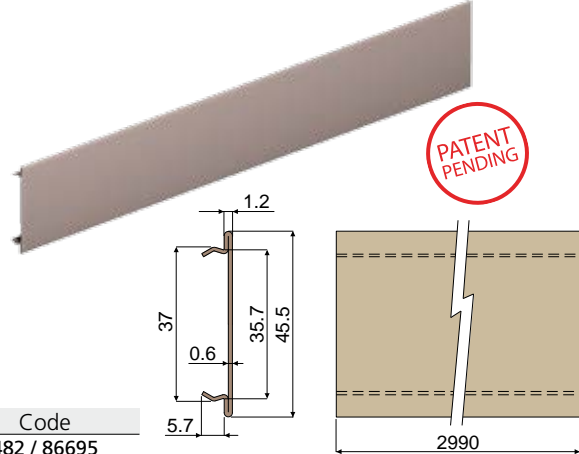


Example of application



Guide profile (metallic profile)

Part. **482**



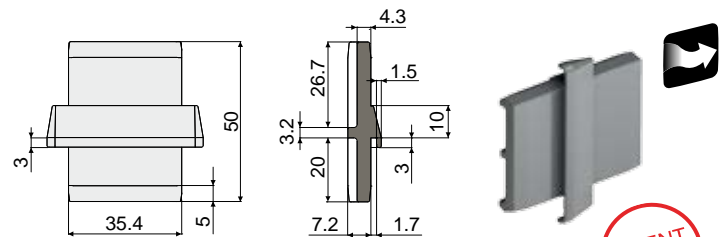
Code
482 / 86695

MATERIALS: Guide profile in stainless steel AISI 304 covered with peek.
FEATURES: Suitable for use with bundles covered with shrink-wrapped polyethylene film. The coating with peek guarantees maximum smoothness of the product. Suitable for high temperatures applications. Peek covering thickness: min. 40 μ, max 50 μ. Supplied in bars of 2.99 meters length. Snap-on assembly on profiles: Part.320, 321, 322, 323.

BOX QUANTITY: 2 bars of 2.99 meters (total 5.98 meters).

Connecting element (for Part.464, 480)

Part. **466**



Code
466 / 85563

MATERIALS: Connecting element in grey colour polyamide and auto-lubricating additive.
FEATURES: To be used as a connecting element between the guides: Part.464, 480. The self-lubricating additive guarantees maximum smoothness of the product.

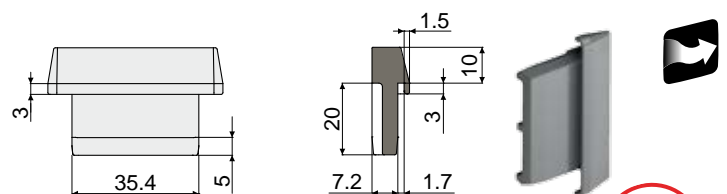
BOX QUANTITY: 8 pieces.

ON REQUEST:

- Box quantity: According to your request.

Closing cap (for Part.464, 480)

Part. **465**



Code
465 / 85562

MATERIALS: Cap in grey colour polyamide and auto-lubricating additive.
FEATURES: To be used as a closure cap at the extremities of the guides: Part.464, 480. The self-lubricating additive guarantees maximum smoothness of the product.

BOX QUANTITY: 8 pieces.

ON REQUEST:

- Box quantity: According to your request.



Suitable for applications which require maximum smoothness.



Suitable for use with bundles covered with shrink-wrapped polyethylene film.

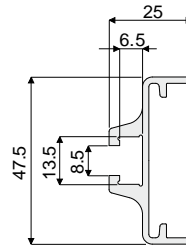
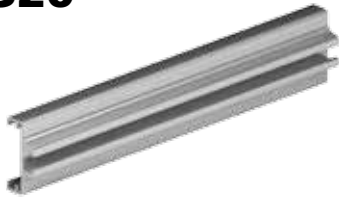


Suitable for high temperatures applications.

Product guides and accessories

Profile for side guides

Part. 320



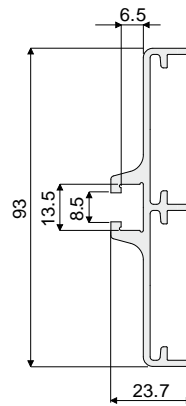
Type	Version	Code	Length
Side	Single	320 / 82917	3 Mt.

MATERIALS: Metal profile in anodized aluminium.

FEATURES: Supplied in bars of 3 meters length. To be used with guides Part.306, 325, 355, 467, 468, 464.

BOX QUANTITY: 2 bars of 3 meters (total 6 meters).

Part. 321 Profile for side guides



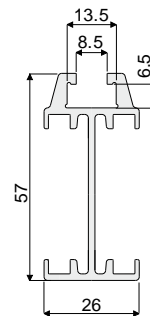
Type	Version	Code	Length
Side	Double	321 / 82918	3 Mt.

MATERIALS: Metal profile in anodized aluminium.

FEATURES: Supplied in bars of 3 meters length. To be used with guides Part.307, 326, 356, 474, 477.

BOX QUANTITY: 2 bars of 3 meters (total 6 meters).

Part. 322 Profile for central guides



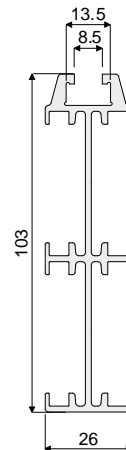
Type	Version	Code	Length
Central	Single	322 / 82919	3 Mt.

MATERIALS: Metal profile in anodized aluminium.

FEATURES: Supplied in bars of 3 meters length. To be used with guides Part.308, 327, 357, 475, 478, 480.

BOX QUANTITY: 2 bars of 3 meters (total 6 meters).

Part. 323 Profile for central guides



Type	Version	Code	Length
Central	Double	323 / 82920	3 Mt.

MATERIALS: Metal profile in anodized aluminium.

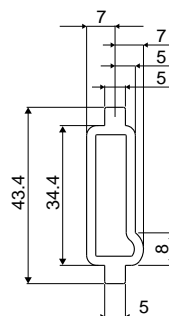
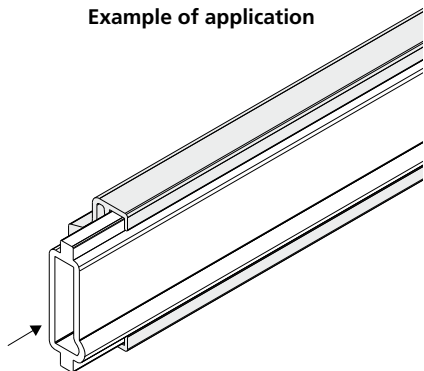
FEATURES: Supplied in bars of 3 meters length. To be used with guides Part.319, 328, 358, 476, 479.

BOX QUANTITY: 2 bars of 3 meters (total 6 meters).

Product guides and accessories

Guide profile for products Part. 329

Example of application



Code
329 / 83007

MATERIALS: Profile made of natural polyethylene white colour.

FEATURES: Supplied in bars of 3 meters length.

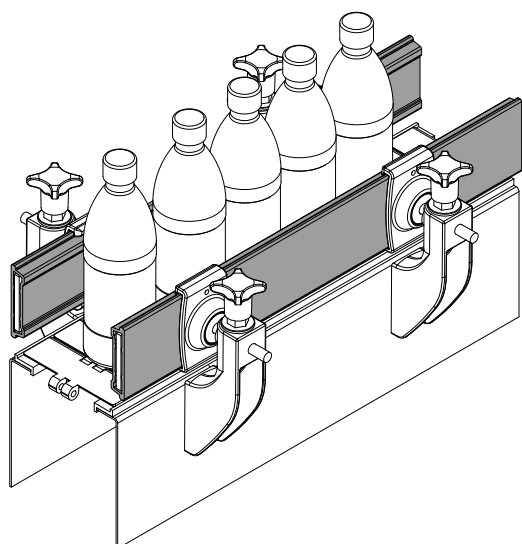
To be used with guides Part.320, 321, 322, 323.

BOX QUANTITY: 6 bars of 3 meters (total 18 meters).

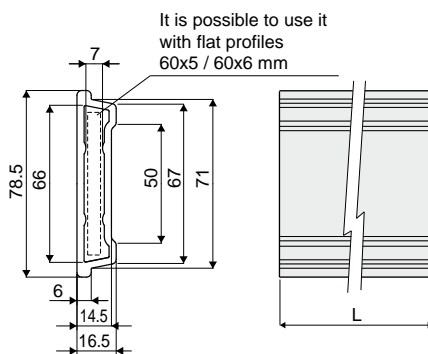
ON REQUEST:

- Box quantity: According to your request.

Example of application



Guide profile Part. 463



Code	Colour	L
463 / 85552	Black	3 Mt.
463 / 87562	Black	6 Mt.
463 / 87563	Blue Ral 5005	3 Mt.
463 / 87564	Blue Ral 5005	6 Mt.

MATERIALS: Profile made of HD polyethylene black or blue Ral 5005 colour.

FEATURES: Supplied in bars of 3 or 6 meters length. To be mounted with rail clamps: Part.427, 434 and with the connecting joint Part.511. Min. curvature radius: 200 mm.

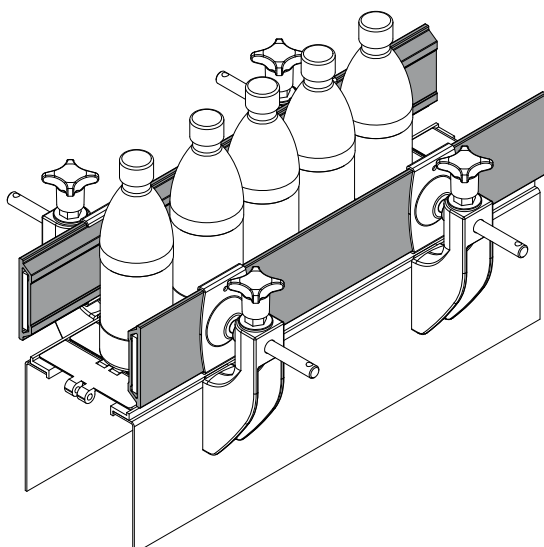
BOX QUANTITY:

- 3 Mt. lengths version: This item is sold in Mt. - Min. 6 Mt. (2 lengths);
- 6 Mt. lengths version: This item is sold in Mt. - Min. 12 Mt. (2 lengths).

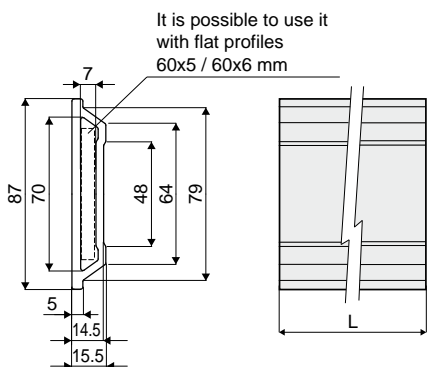
ON REQUEST:

- Box quantity: According to your request.

Example of application



Guide profile Part. 528



Code	Colour	L
528 / 87565	Black	3 Mt.
528 / 87566	Black	6 Mt.
528 / 87567	Blue Ral 5005	3 Mt.
528 / 87568	Blue Ral 5005	6 Mt.

MATERIALS: Profile made of HD polyethylene black or blue Ral 5005 colour.

FEATURES: Supplied in bars of 3 or 6 meters length. To be mounted with rail clamp Part.531. Min. curvature radius: 200 mm.

BOX QUANTITY:

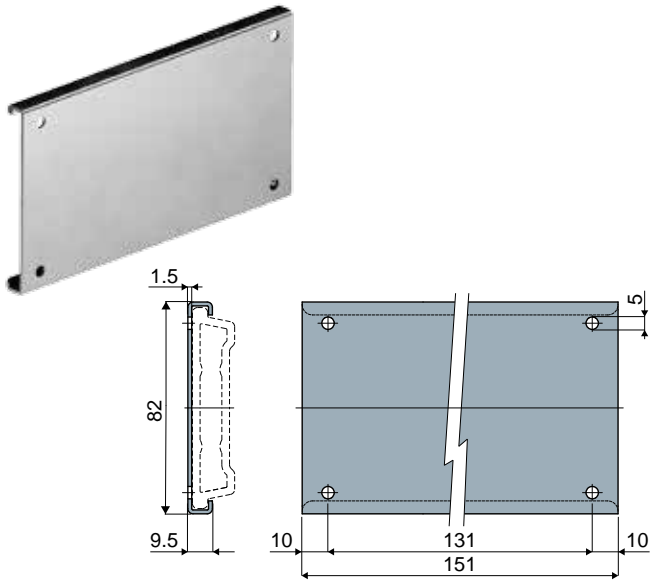
- 3 Mt. lengths version: This item is sold in Mt. - Min. 6 Mt. (2 lengths);
- 6 Mt. lengths version: This item is sold in Mt. - Min. 12 Mt. (2 lengths).

ON REQUEST:

- Box quantity: According to your request.

Product guides and accessories

Part. 511 Connecting joint (for Part.463)



Code
511 / 87044

MATERIALS: Joint and screws made of stainless steel AISI 304.

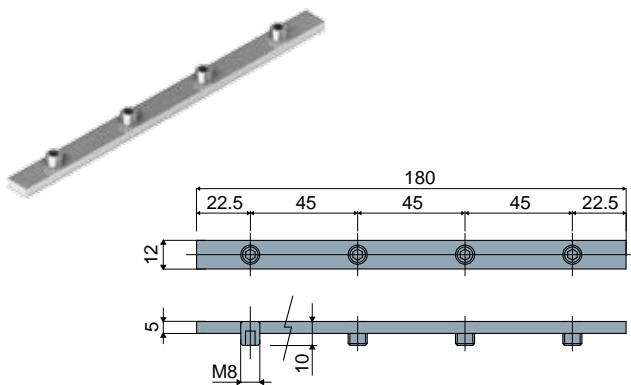
FEATURES: To be used for connecting the profiles Part.463.

BOX QUANTITY: 8 pieces.

ON REQUEST:

- Box quantity: According to your request.

Part. 318 Connecting bar for guides



Bar in zinc plated steel	Bar in stainless steel AISI 304
Code	Code
318 / 82913	318 / 90415 NEW

MATERIALS: Bar made of zinc plated steel or stainless steel AISI 304; screws M8x10 made of zinc plated steel or stainless steel.

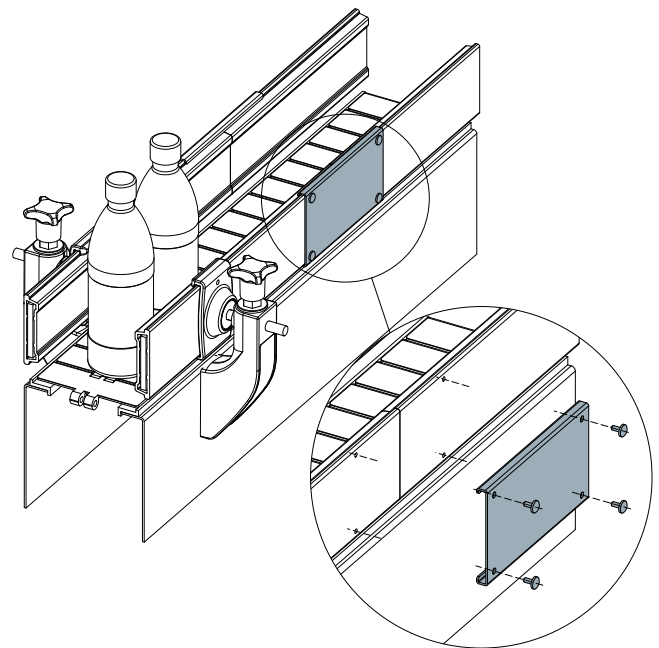
FEATURES: To be used for connecting the metal profiles of Part. 306, 307, 308, 319, 468, 474, 475, 476, 325, 326, 327, 328, 467, 477, 478, 479, 355, 356, 357, 358, 464, 480, 320, 321, 322, 323, 381 (Type 2), 384 (Type 2).

BOX QUANTITY: 8 pieces.

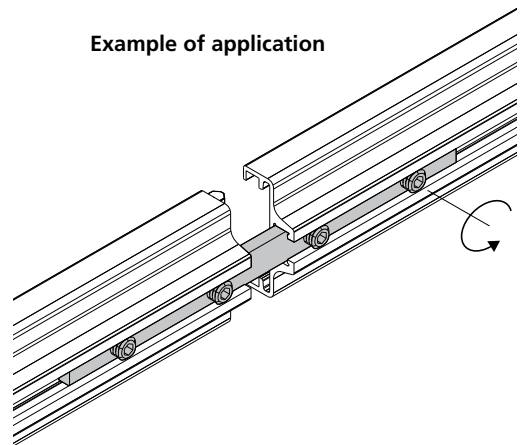
ON REQUEST:

- Box quantity: According to your request.

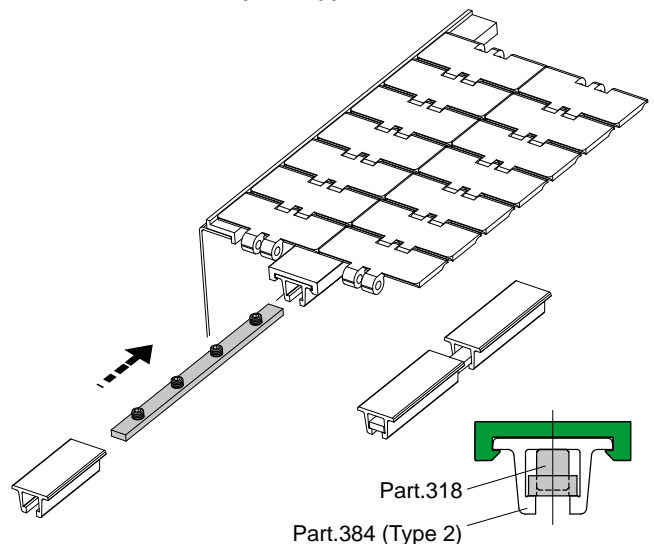
Example of application



Example of application

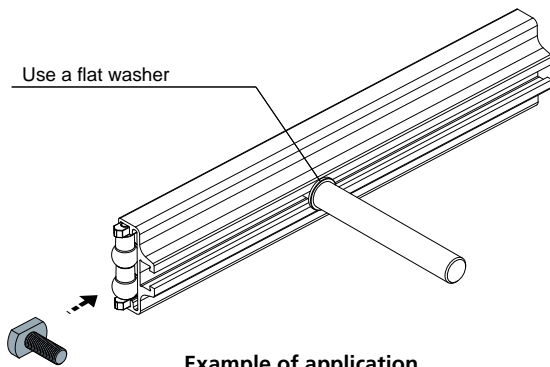


Example of application

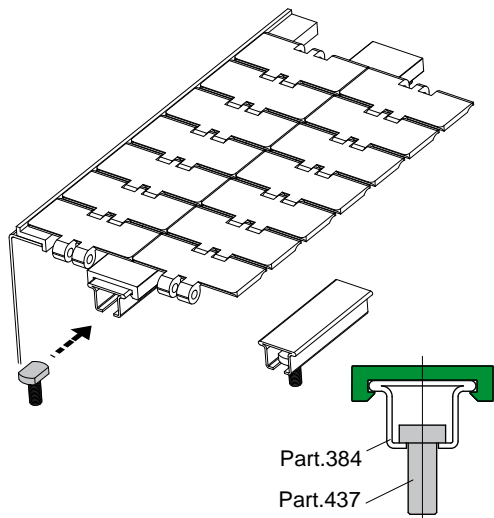


Product guides and accessories

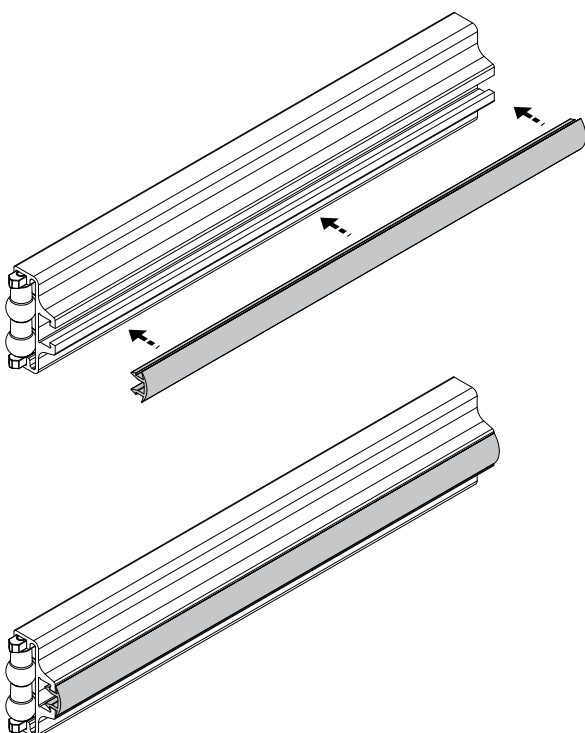
Example of application



Example of application

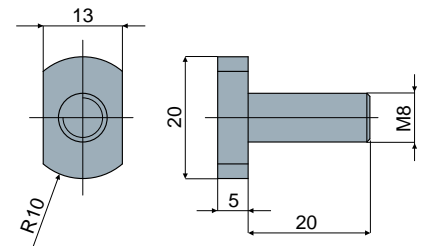


Example of application



Screw with shaped head (hammer head)

Part. **437**



Screw in zinc plated steel	Screw in stainless steel AISI 304
Code	Code
437 / 85235	437 / 90419 NEW

MATERIALS: Screw in zinc plated steel or stainless steel AISI 304.

FEATURES: To be used with guides Part.306, 307, 308, 319, 468, 474, 475, 476, 325, 326, 327, 328, 467, 477, 478, 479, 355, 356, 357, 358, 464, 480, 320, 321, 322, 323, 381, 384.

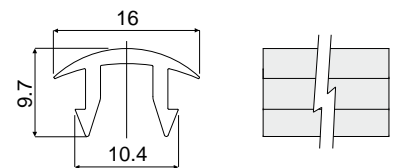
BOX QUANTITY: 24 pieces.

ON REQUEST:

- Box quantity: According to your request.

Slot closing profile

Part. **522**



Code
522 / 87355

MATERIALS: Profile made of soft PVC grey colour.

FEATURES: To be used with guides Part.306, 307, 308, 319, 468, 474, 475, 476, 325, 326, 327, 328, 467, 477, 478, 479, 355, 356, 357, 358, 464, 480, 320, 321, 322, 323, 381, 384. Pressure mounting.

BOX QUANTITY: This item is sold in Mt. - Min. 20 Mt.

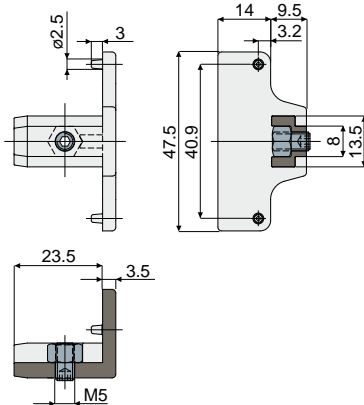
ON REQUEST:

- Box quantity: According to your request.

Product guides and accessories

Part. 415

Closing cap (for side guides, single type)



Code

415 / 84547

MATERIALS: Cap in reinforced polyamide grey colour; nut and grub screw in stainless steel AISI 304.

FEATURES: To be used as a closure cap at the extremities of the side guides: Part.306, 468, 325, 467, 355, 464.

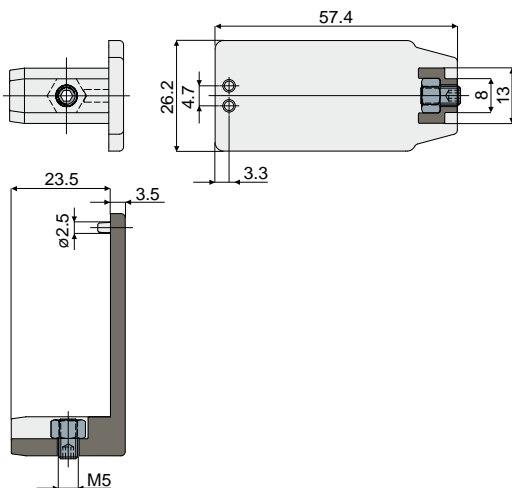
BOX QUANTITY: 24 pieces.

ON REQUEST:

- Assembling of: Nuts and grub screws.
- Box quantity: According to your request.

Part. 481

Closing cap (for central guides, single type)



Code

481 / 86002

MATERIALS: Cap in reinforced polyamide grey colour; nut and grub screw in stainless steel AISI 304.

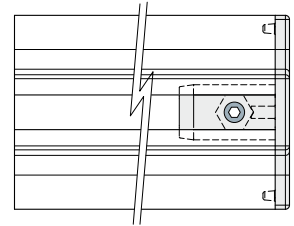
FEATURES: To be used as a closure cap at the extremities of the central guides: Part.308, 475, 327, 478, 357, 480.

BOX QUANTITY: 24 pieces.

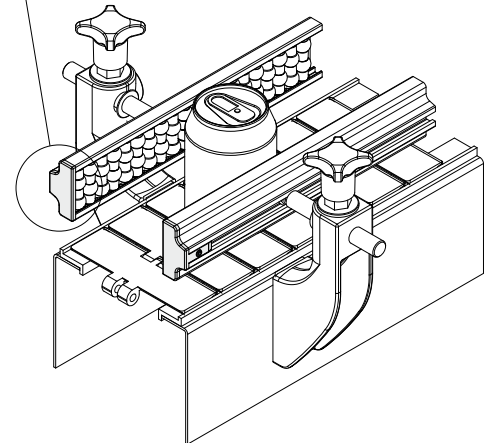
ON REQUEST:

- Assembling of: Nuts and grub screws.
- Box quantity: According to your request.

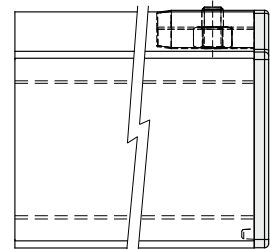
Example of application



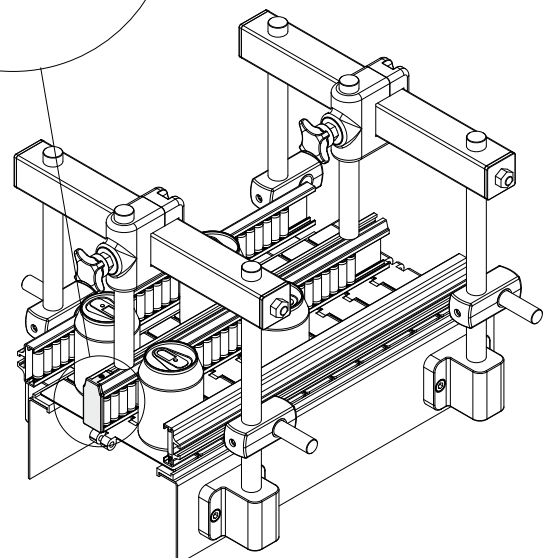
Example of application



Example of application



Example of application

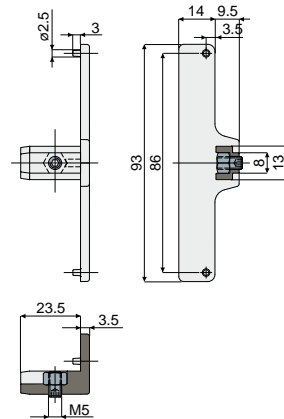
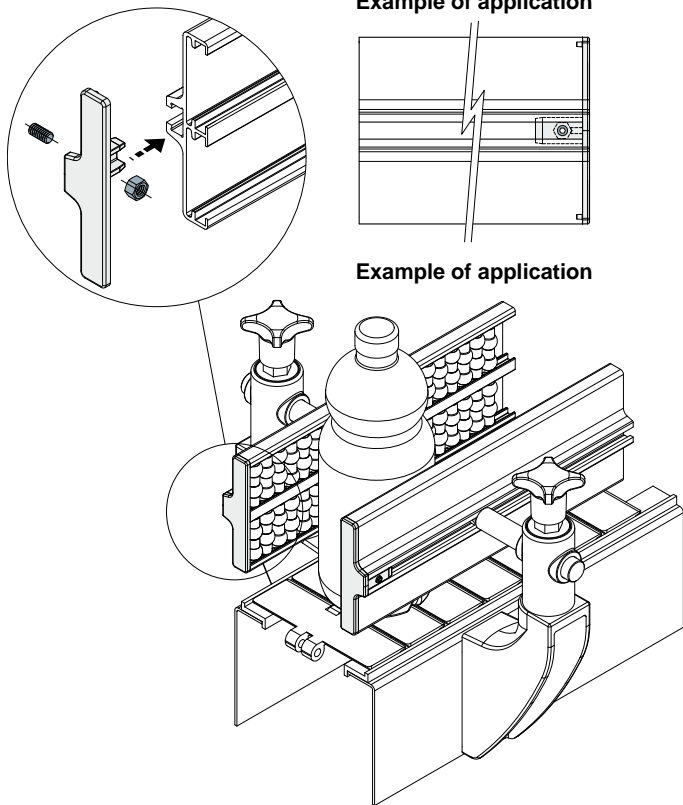


Product guides and accessories

Closing cap

(for side guides, double type)

Part. **493**



Code

493 / 87014

MATERIALS: Cap in reinforced polyamide grey colour; nut and grub screw in stainless steel AISI 304.

FEATURES: To be used as a closure cap at the extremities of the side guides: Part.307, 474, 326, 477, 356.

BOX QUANTITY: 24 pieces.

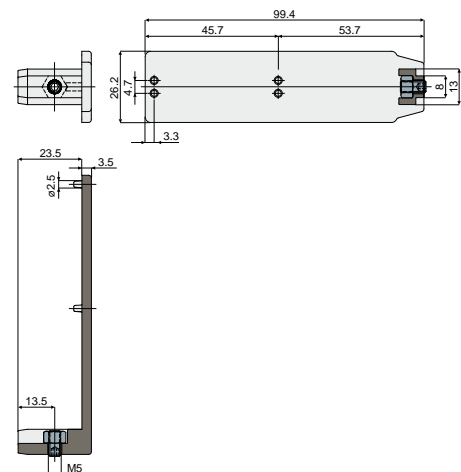
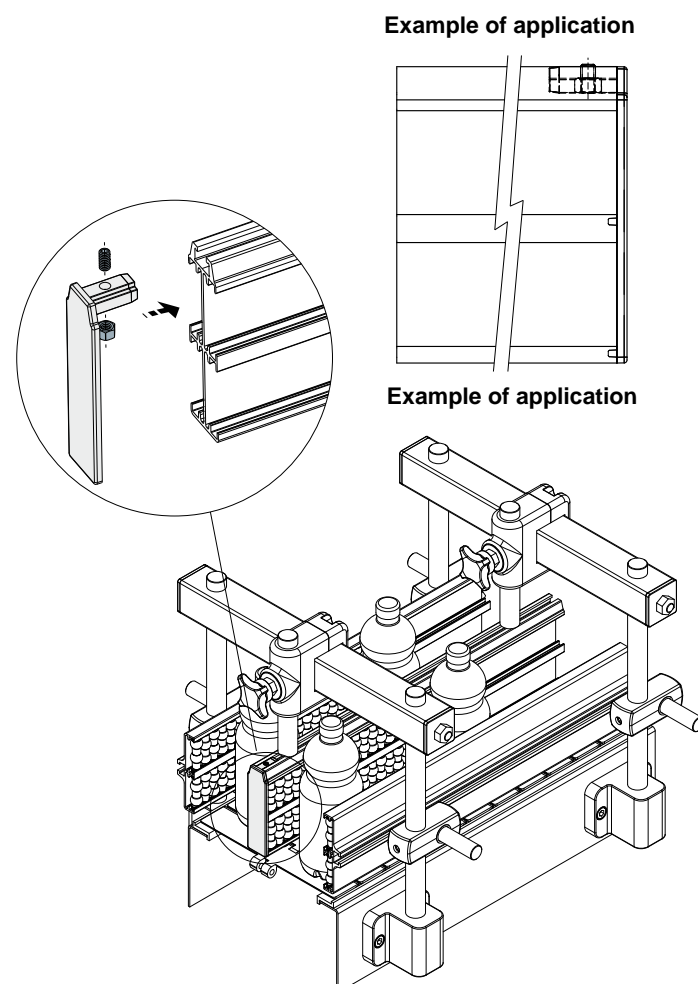
ON REQUEST:

- Assembling of: Nuts and grub screws.
- Box quantity: According to your request.

Closing cap

(for central guides, double type)

Part. **494**



Code

494 / 87015

MATERIALS: Cap in reinforced polyamide grey colour; nut and grub screw in stainless steel AISI 304.

FEATURES: To be used as a closure cap at the extremities of the central guides: Part.319, 476, 328, 479, 358.

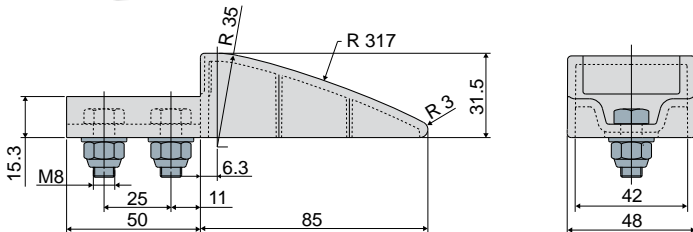
BOX QUANTITY: 24 pieces.

ON REQUEST:

- Assembling of: Nuts and grub screws.
- Box quantity: According to your request.

Product guides and accessories

Part. 340 Separation Block for roller side guide (single type)



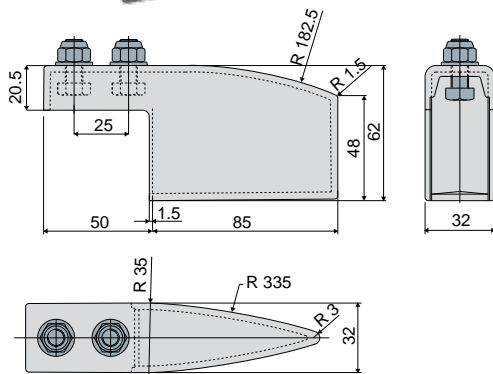
Code	Material
340 / 83357	Polyethylene
340 / 85826	PA + auto-lubricating additive

MATERIALS: Separation block in polyethylene or in polyamide with auto-lubricating additive; bolts and nuts in stainless steel AISI 304.
FEATURES: To be used at the end of the side guides (Part.306, 468, 325, 467, 355, 464), to help the arrival of the products. The version with auto-lubricating additive guarantees maximum smoothness of the product. Supplied complete with bolts and nuts.
BOX QUANTITY: 8 pieces.

ON REQUEST:

- Separation blocks: Other colours.
- Box quantity: According to your request.

Part. 341 Separation Block for roller central guide (single type)



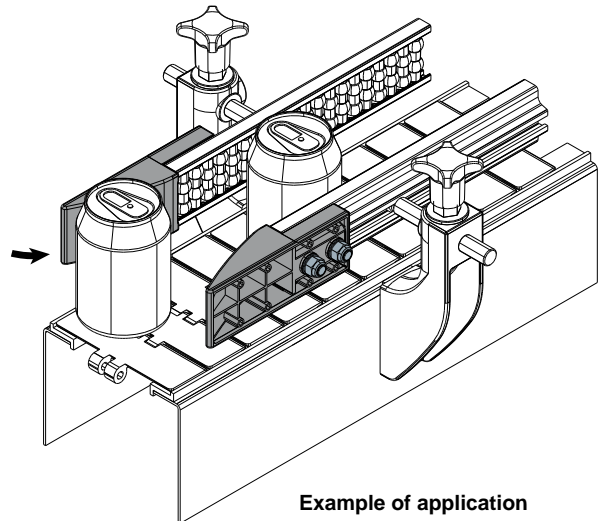
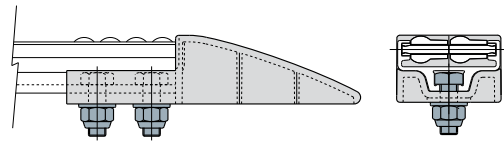
Code	Material
341 / 83359	Polyethylene
341 / 85828	PA + auto-lubricating additive

MATERIALS: Separation block in polyethylene or in polyamide with auto-lubricating additive; bolts and nuts in stainless steel AISI 304.
FEATURES: To be used at the end of the central guides (Part.308, 475, 327, 478, 357, 480), to help the arrival of the products. The version with auto-lubricating additive guarantees maximum smoothness of the product. Supplied complete with bolts and nuts.
BOX QUANTITY: 8 pieces.

ON REQUEST:

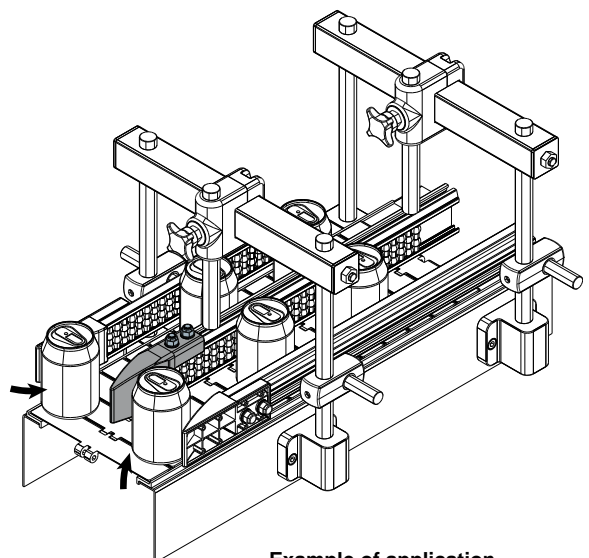
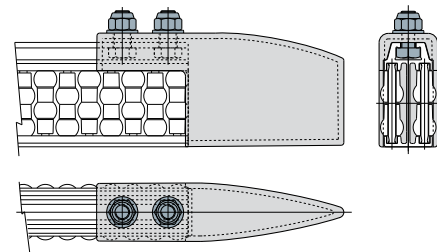
- Separation blocks: Other colours.
- Box quantity: According to your request.

Example of application



Example of application

Example of application



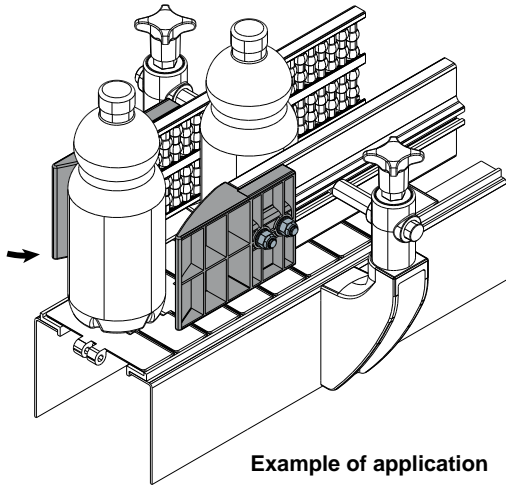
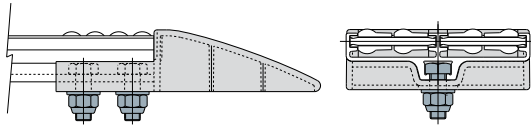
Example of application



Suitable for applications which require maximum smoothness.

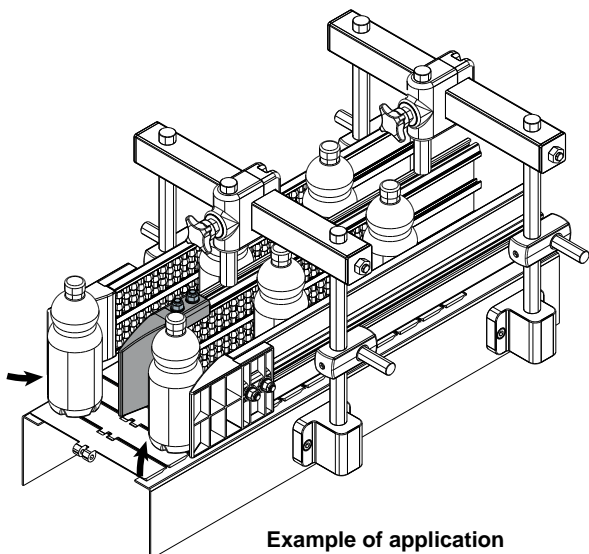
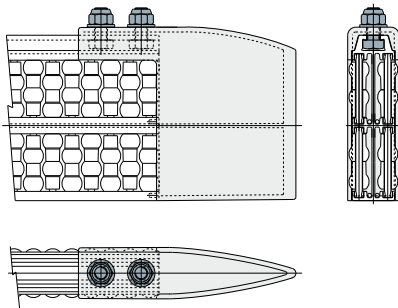
Product guides and accessories

Example of application



Example of application

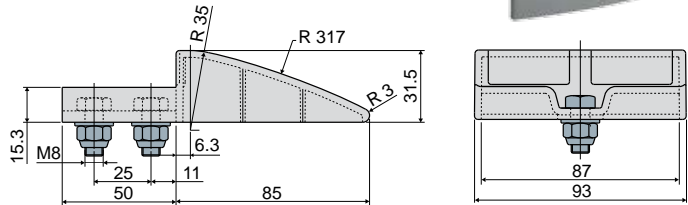
Example of application



Example of application

Separation Block for roller side guide (double type)

Part. **342**



Code	Material
342 / 83361	Polyethylene
342 / 85984	PA + auto-lubricating additive

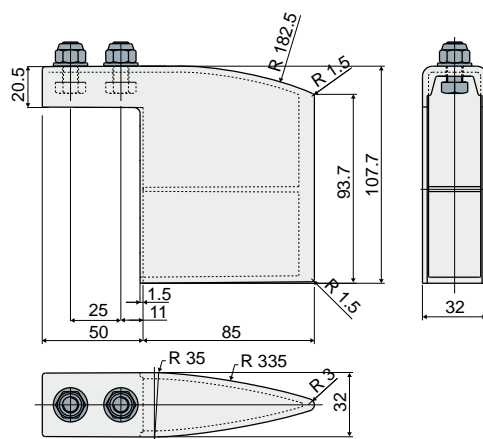
MATERIALS: Separation block in polyethylene or in polyamide with auto-lubricating additive; bolts and nuts in stainless steel AISI 304.
FEATURES: To be used at the end of the side guides (Part.307, 474, 326, 477, 356), to help the arrival of the products. The version with auto-lubricating additive guarantees maximum smoothness of the product. Supplied complete with bolts and nuts.
BOX QUANTITY: 8 pieces.

ON REQUEST:

- Separation blocks: Other colours.
- Box quantity: According to your request.

Separation Block for roller central guide (double type)

Part. **343**



Code	Material
343 / 83363	Polyethylene
343 / 85985	PA + auto-lubricating additive

MATERIALS: Separation block in polyethylene or in polyamide with auto-lubricating additive; bolts and nuts in stainless steel AISI 304.

FEATURES: To be used at the end of the central guides (Part.319, 476, 328, 479, 358), to help the arrival of the products. The version with auto-lubricating additive guarantees maximum smoothness of the product. Supplied complete with bolts and nuts.

BOX QUANTITY: 8 pieces.

ON REQUEST:

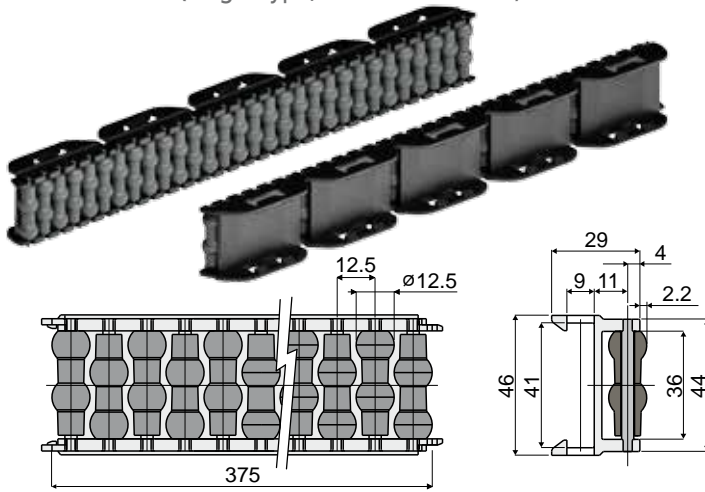
- Separation blocks: Other colours.
- Box quantity: According to your request.



Suitable for applications which require maximum smoothness.

Product guides and accessories

Part. 345 Roller side guide with pearls (single type, 375 mm modules)



Pins made of acetal	Pins made of stainless steel AISI 304
Code	Code
345 / 83380	345 / 86717

MATERIALS: Rollers in polyethylene grey colour; modules in acetal resin black colour; support pins in black acetal or in stainless steel AISI 304.

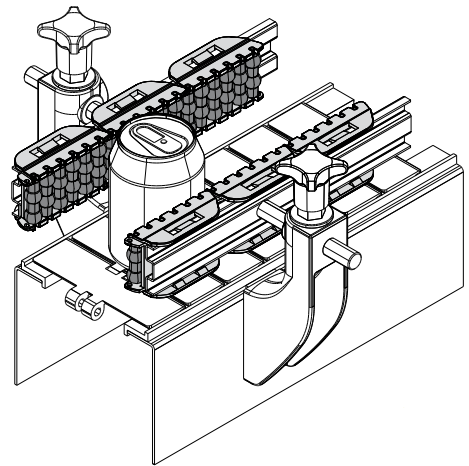
FEATURES: Supplied already assembled, in modules of 375 mm length, for 40x8 mm plate. Min. curvature radius: ext = 500 mm; int. = 350 mm.

BOX QUANTITY: 12 pieces.

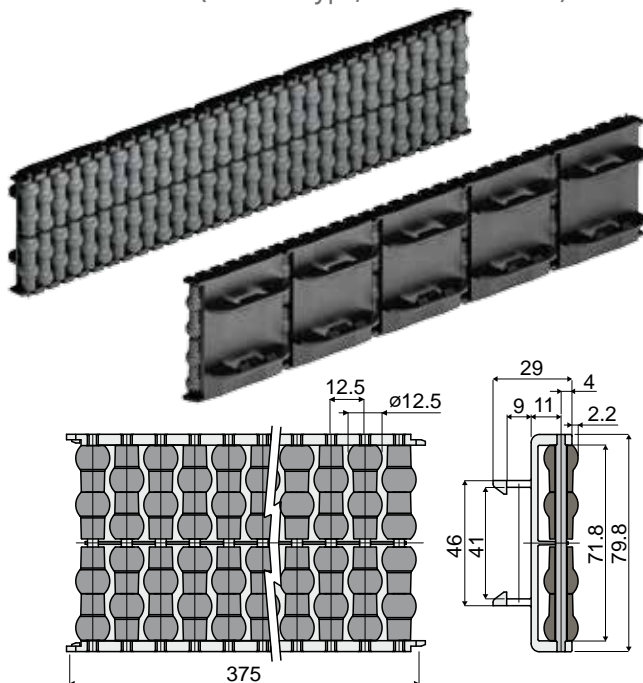
ON REQUEST:

- Module and rollers: Can be produced in other colours.
- Box quantity: According to your request.

Example of application



Part. 423 Roller side guide with pearls (double type, 375 mm modules)



Pins made of acetal	Pins made of stainless steel AISI 304
Code	Code
423 / 84818	423 / 85272

MATERIALS: Rollers in polyethylene grey colour; modules in acetal resin black colour; support pins in black acetal or in stainless steel AISI 304.

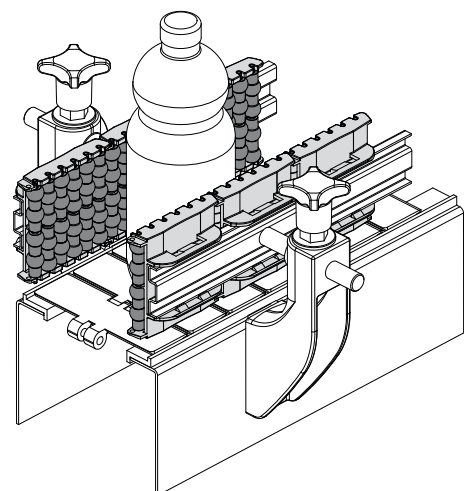
FEATURES: Supplied already assembled, in modules of 375 mm length, for 40x8 mm plate. Min. curvature radius: ext = 500 mm; int. = 350 mm.

BOX QUANTITY: 12 pieces.

ON REQUEST:

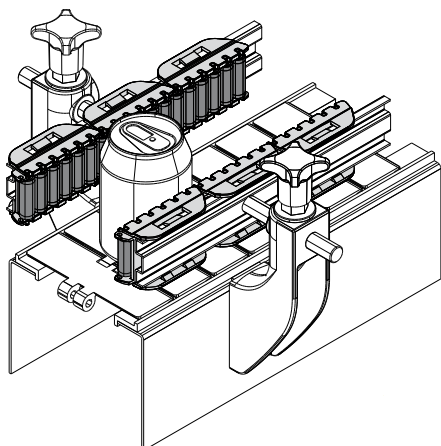
- Module and rollers: Can be produced in other colours.
- Box quantity: According to your request.

Example of application



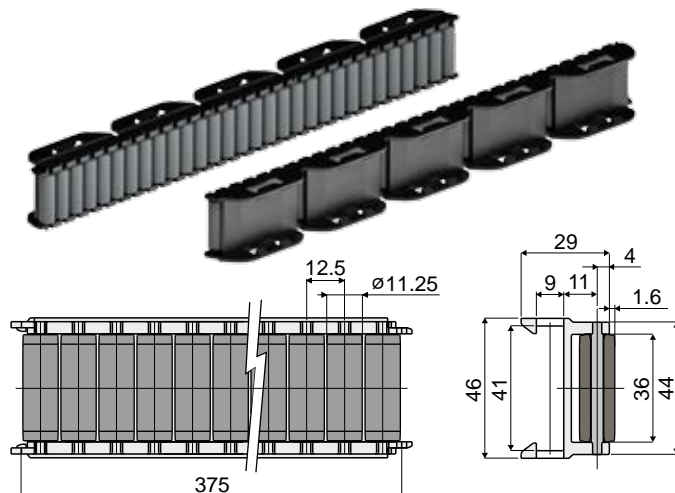
Product guides and accessories

Example of application



Roller side guide with cylinders (single type, 375 mm modules)

Part. **339**



Pins made of acetal	Pins made of stainless steel AISI 304
Code	Code
339 / 83319	339 / 86718

MATERIALS: Rollers in polyethylene grey colour; modules in acetal resin black colour; support pins in black acetal or in stainless steel AISI 304.

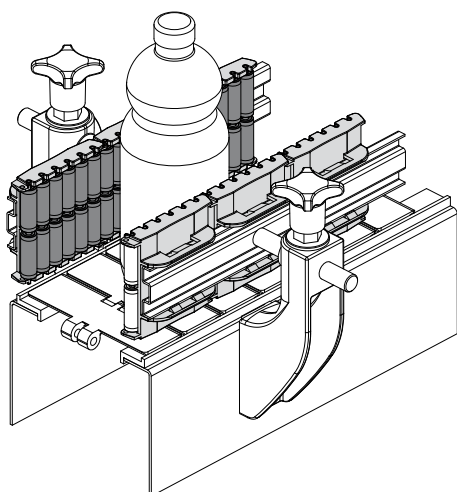
FEATURES: Supplied already assembled, in modules of 375 mm length, for 40x8 mm plate. Min. curvature radius: ext = 500 mm; int. = 350 mm.

BOX QUANTITY: 12 pieces.

ON REQUEST:

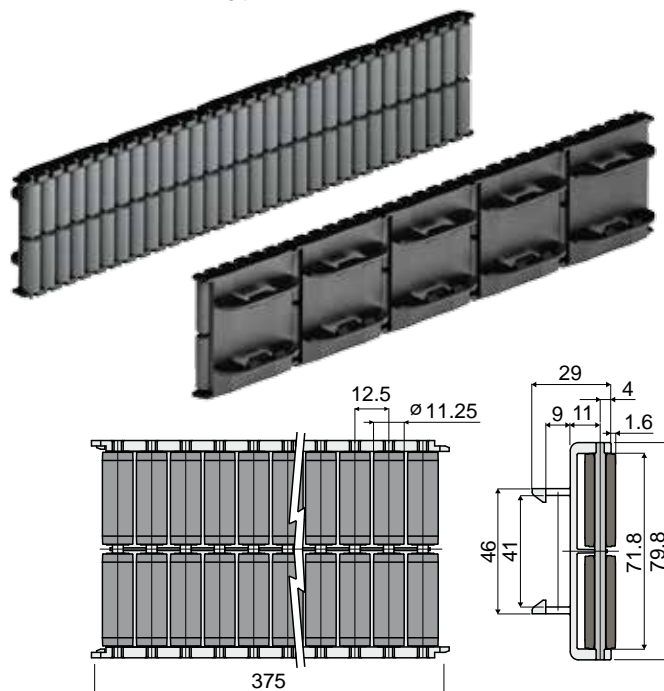
- Module and rollers: can be produced in other colours.
- Box quantity: According to your request.

Example of application



Roller side guide with cylinders (double type, 375 mm modules)

Part. **422**



Pins made of acetal	Pins made of stainless steel AISI 304
Code	Code
422 / 84817	422 / 85273

MATERIALS: Rollers in polyethylene grey colour; modules in acetal resin black colour; support pins in black acetal or in stainless steel AISI 304.

FEATURES: Supplied already assembled, in modules of 375 mm length, for 40x8 mm plate. Min. curvature radius: ext = 500 mm; int. = 350 mm.

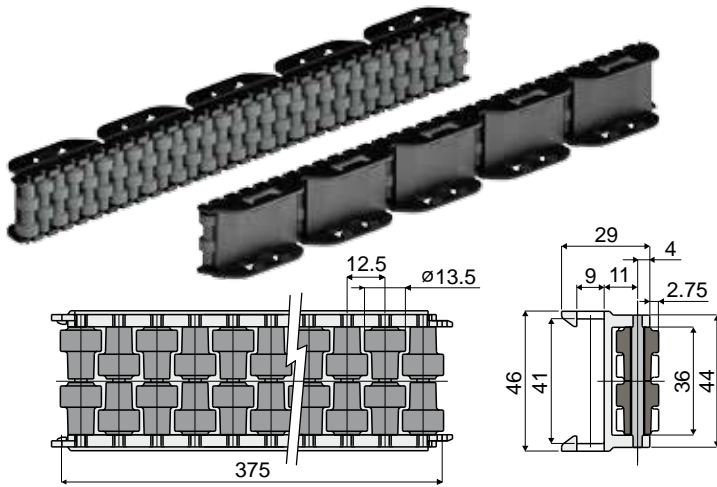
BOX QUANTITY: 12 pieces.

ON REQUEST:

- Module and rollers: Can be produced in other colours.
- Box quantity: According to your request.

Product guides and accessories

Part. 344 Roller side guide with round rollers (single type, 375 mm modules)



Pins made of acetal	Pins made of stainless steel AISI 304
Code	Code
344 / 83372	344 / 86719

MATERIALS: Rollers in polyethylene grey colour; modules in acetal resin black colour; support pins in black acetal or in stainless steel AISI 304.

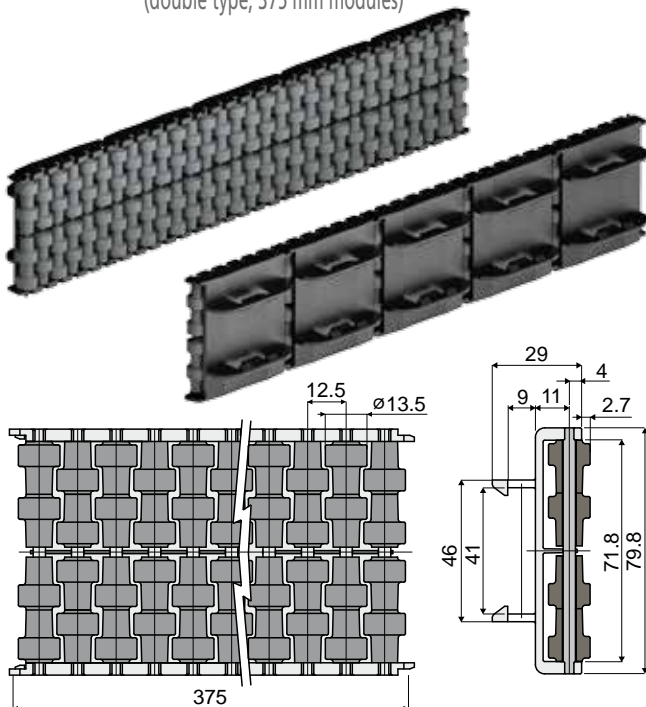
FEATURES: Supplied already assembled, in modules of 375 mm length, for 40x8 mm plate. Min. curvature radius: ext = 500 mm; int. = 350 mm.

BOX QUANTITY: 12 pieces.

ON REQUEST:

- Module and rollers: can be produced in other colours.
- Box quantity: According to your request.

Part. 421 Roller side guide with round rollers (double type, 375 mm modules)



Pins made of acetal	Pins made of stainless steel AISI 304
Code	Code
421 / 84816	421 / 85274

MATERIALS: Rollers in polyethylene grey colour; modules in acetal resin black colour; support pins in black acetal or in stainless steel AISI 304.

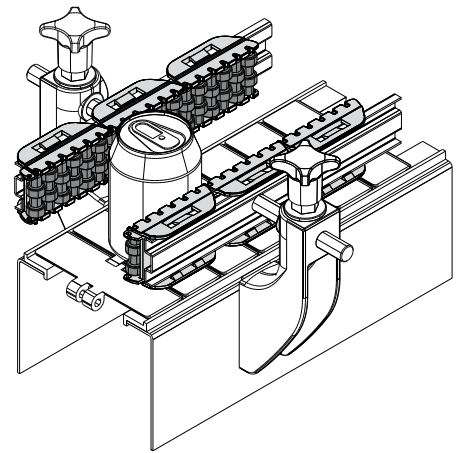
FEATURES: Supplied already assembled, in modules of 375 mm length, for 40x8 mm plate. Min. curvature radius: ext = 500 mm; int. = 350 mm.

BOX QUANTITY: 12 pieces.

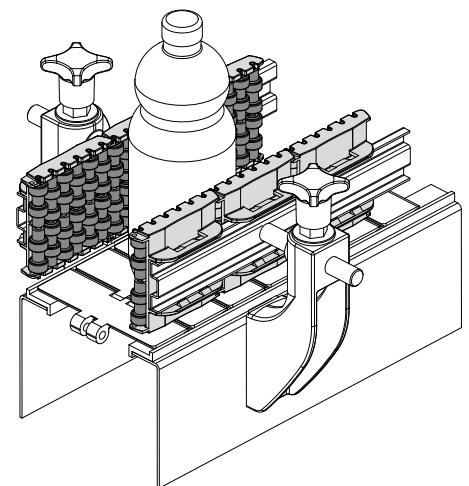
ON REQUEST:

- Module and rollers: Can be produced in other colours.
- Box quantity: According to your request.

Example of application

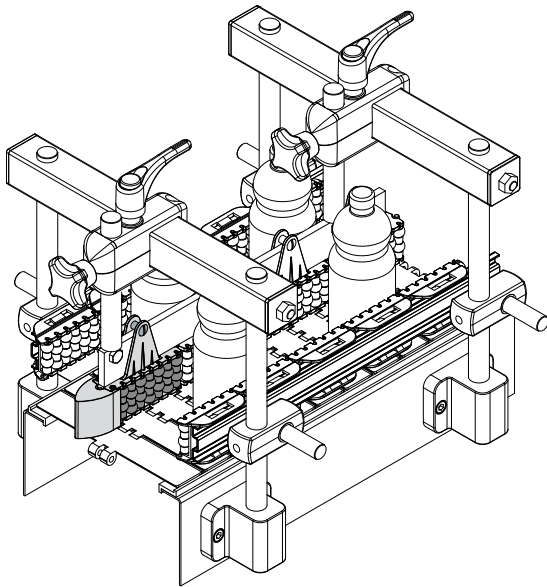
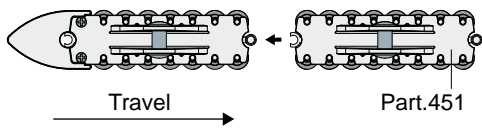


Example of application



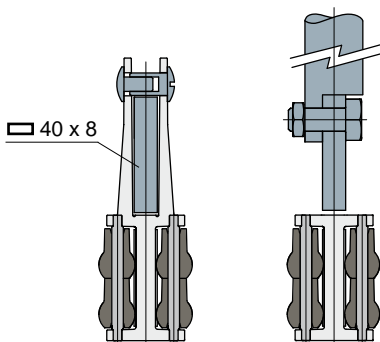
Product guides and accessories

Example of application

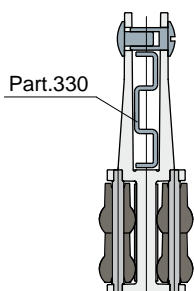


Example of application

Fixing with plate

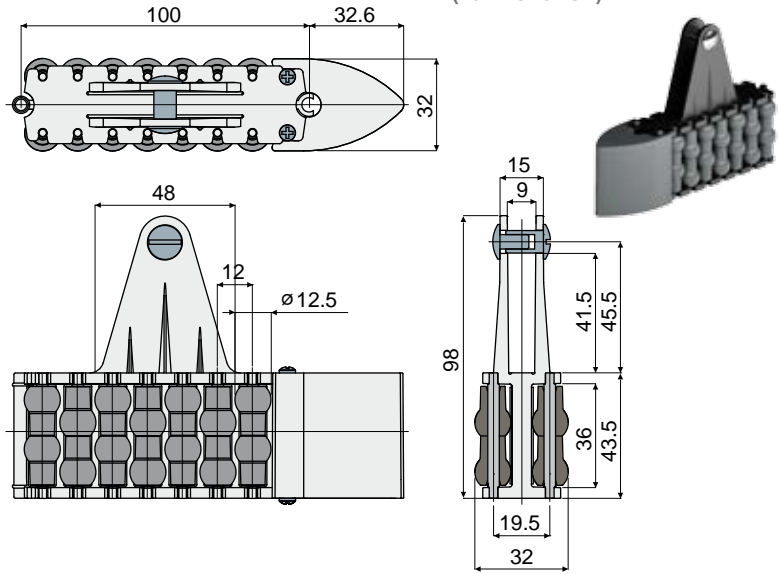


Fixing with metal profile



Separation Block with pearls (for Part.451)

Part. **448**



Pins made of acetal	Pins made of stainless steel AISI 304
Code	Code
448 / 85374	448 / 85459

MATERIALS: Rollers in polyethylene grey colour; module in acetal resin black colour; shoe in acetal resin grey colour; support pins in black acetal or in stainless steel AISI 304.

FEATURES: Supplied already assembled (1 module + 1 shoe); for 40x8 mm plate.

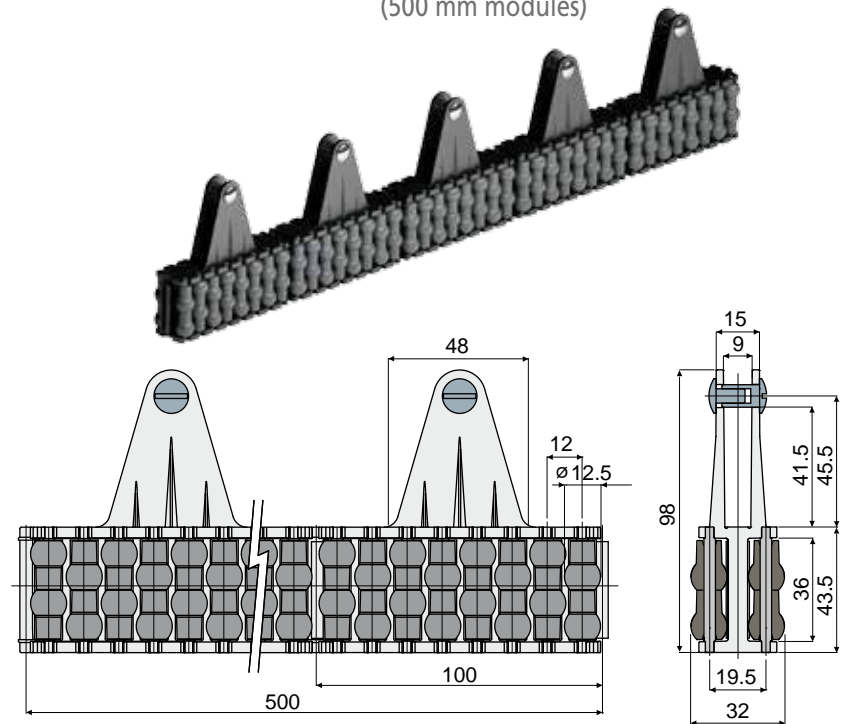
BOX QUANTITY: 2 pieces.

ON REQUEST:

- Module and rollers: Can be produced in other colours.
- Box quantity: According to your request.

Roller central guide with pearls (500 mm modules)

Part. **451**



Pins made of acetal	Pins made of stainless steel AISI 304
Code	Code
451 / 85377	451 / 85467

MATERIALS: Rollers in polyethylene grey colour; modules in acetal resin black colour; support pins in black acetal or in stainless steel AISI 304.

FEATURES: Supplied already assembled, in modules of 500 mm length, for 40x8 mm plate. Min. curvature radius: 335 mm.

BOX QUANTITY: 12 pieces.

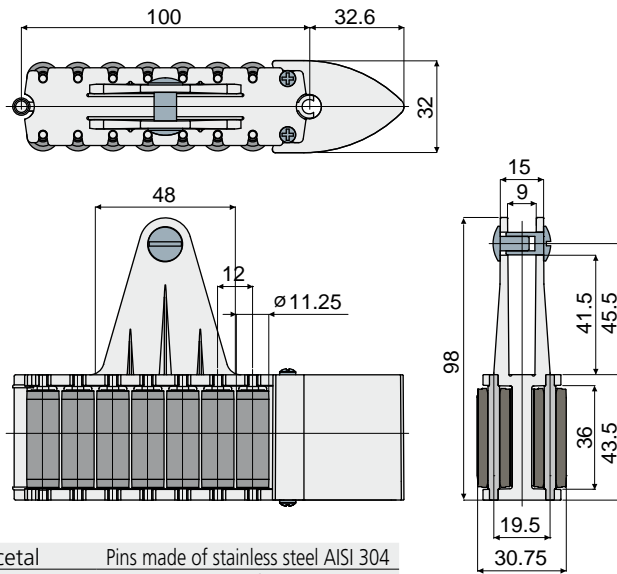
ON REQUEST:

- Module and rollers: Can be produced in other
- Box quantity: According to your request.

Product guides and accessories

Part. 449

Separation Block with cylinders (for Part.452)



Pins made of acetal	Pins made of stainless steel AISI 304
Code	Code
449 / 85375	449 / 85460

MATERIALS: Rollers in polyethylene grey colour; module in acetal resin black colour; shoe in acetal resin grey colour; support pins in black acetal or in stainless steel AISI 304.

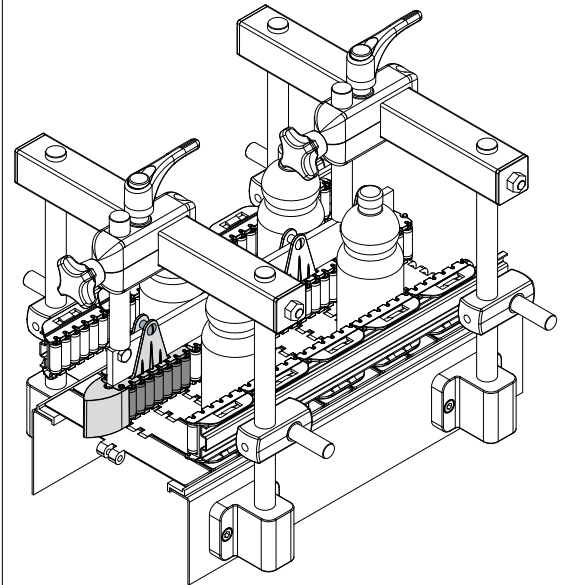
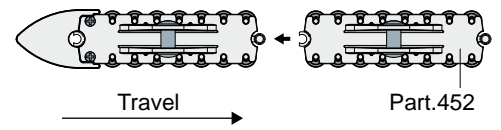
FEATURES: Supplied already assembled (1 module + 1 shoe); for 40x8 mm plate.

BOX QUANTITY: 2 pieces.

ON REQUEST:

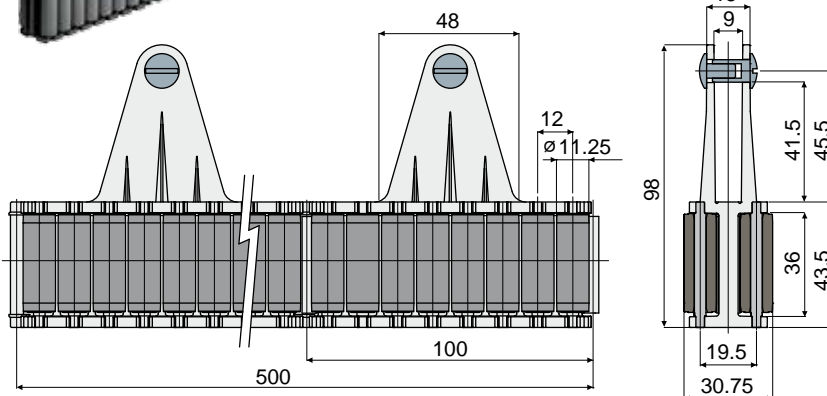
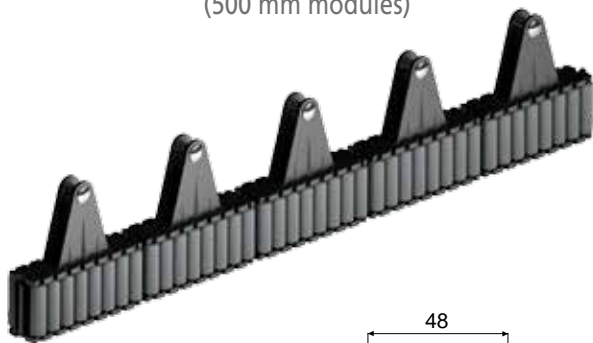
- Module and rollers: Can be produced in other colours.
- Box quantity: According to your request.

Example of application



Part. 452

Roller central guide with cylinders (500 mm modules)



Pins made of acetal	Pins made of stainless steel AISI 304
Code	Code
452 / 85378	452 / 85468

MATERIALS: Rollers in polyethylene grey colour; modules in acetal resin black colour; support pins in black acetal or in stainless steel AISI 304.

FEATURES: Supplied already assembled, in modules of 500 mm length, for 40x8 mm plate.

Min. curvature radius: 335 mm.

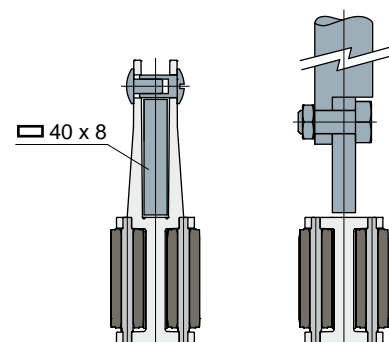
BOX QUANTITY: 12 pieces.

ON REQUEST:

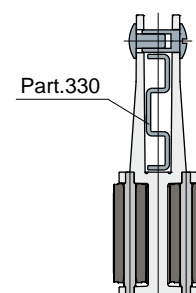
- Module and rollers: Can be produced in other colours.
- Box quantity: According to your request.

Example of application

Fixing with plate

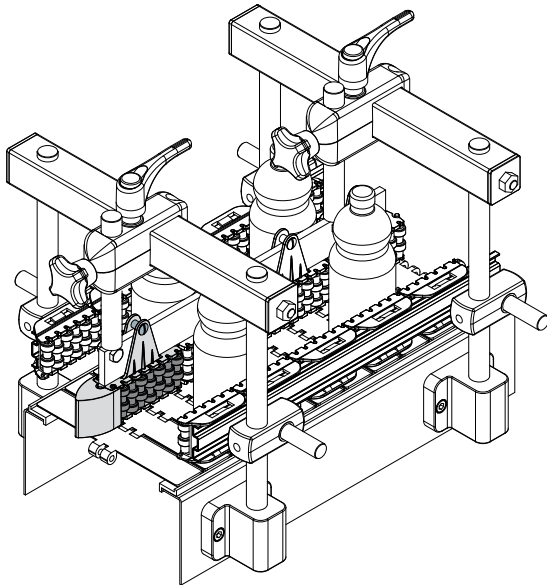
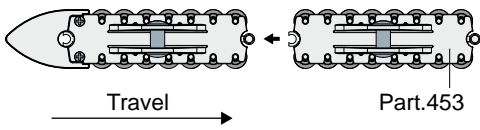


Fixing with metal profile



Product guides and accessories

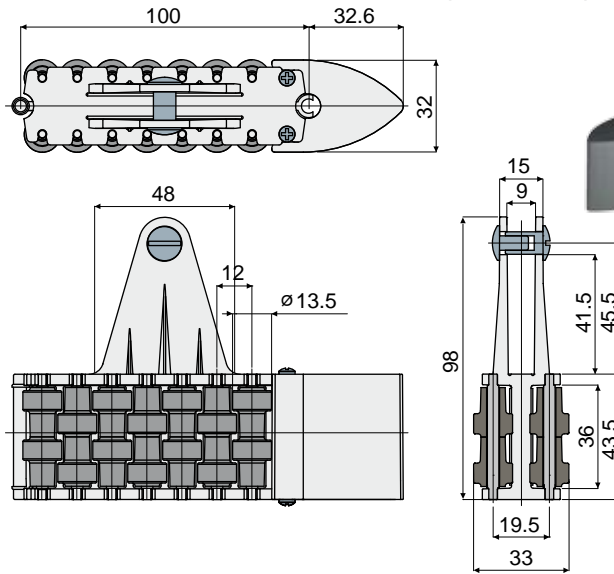
Example of application



Example of application

Separation Block with round rollers (for Part.453)

Part. **450**



Pins made of acetal	Pins made of stainless steel AISI 304
Code	Code
450 / 85376	450 / 85461

MATERIALS: Rollers in polyethylene grey colour; module in acetal resin black colour; shoe in acetal resin grey colour; support pins in black acetal or in stainless steel AISI 304.

FEATURES: Supplied already assembled (1 module + 1 shoe); for 40x8 mm plate.

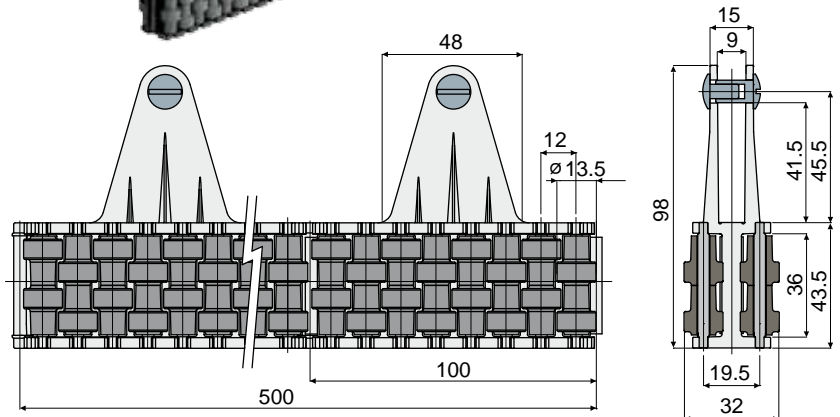
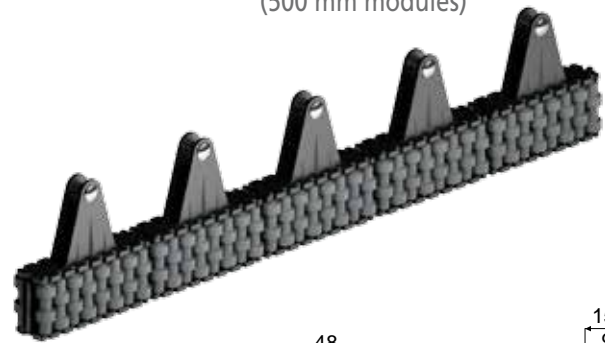
BOX QUANTITY: 2 pieces.

ON REQUEST:

- Module and rollers: Can be produced in other colours.
- Box quantity: According to your request.

Roller central guide with round rollers (500 mm modules)

Part. **453**



Pins made of acetal	Pins made of stainless steel AISI 304
Code	Code
453 / 85379	453 / 85469

MATERIALS: Rollers in polyethylene grey colour; modules in acetal resin black colour; support pins in black acetal or in stainless steel AISI 304.

FEATURES: Supplied already assembled, in modules of 500 mm length, for 40x8 mm plate.

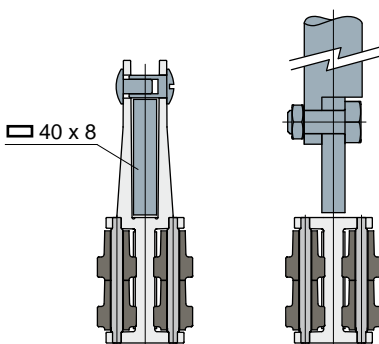
Min. curvature radius: 335 mm.

BOX QUANTITY: 12 pieces.

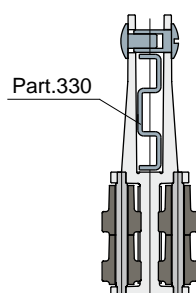
ON REQUEST:

- Module and rollers: Can be produced in other colours.
- Box quantity: According to your request.

Fixing with plate



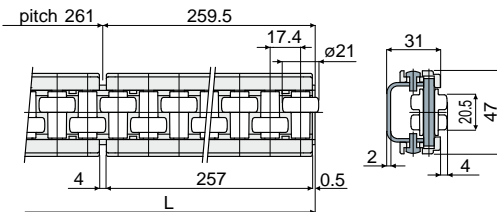
Fixing with metal profile



Product guides and accessories

Part. 502

Roller side guide with round rollers (single type, curvilinear)



L (mm)	Metal profile in zinc plated steel Code	Metal profile in stainless steel AISI 304 Code
3129	502 / 86998	502 / 86999

MATERIALS: Rollers in acetal white colour; modules in reinforced polyamide black colour; support pins in stainless steel; metal profile in zinc plated steel or stainless steel AISI 304.

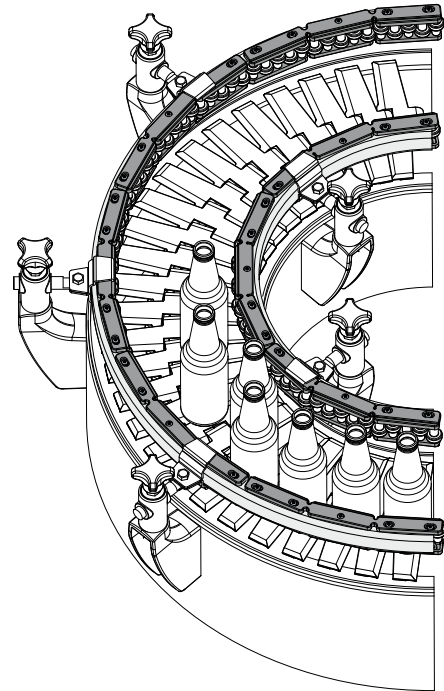
FEATURES: Supplied already assembled. To be used with the guide rail clamp Part.521. Min. curvature radius: ext = 800 mm; int. = 500 mm.

BOX QUANTITY: 2 pieces.

ON REQUEST:

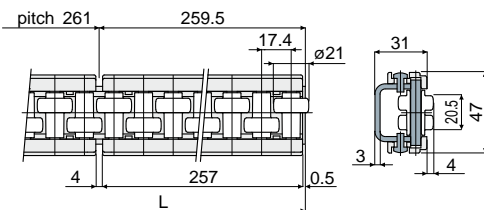
- Module and rollers: can be produced in other colours.

Example of application



Part. 501

Roller side guide with round rollers (single type, rectilinear)



L (mm)	Metal profile in zinc plated steel Code	Metal profile in stainless steel AISI 304 Code
1041	501 / 86984	501 / 86985
2085	501 / 86982	501 / 86983
3129	501 / 86980	501 / 86981

MATERIALS: Rollers in acetal white colour; modules in reinforced polyamide black colour; support pins in stainless steel; metal profile in zinc plated steel or stainless steel AISI 304.

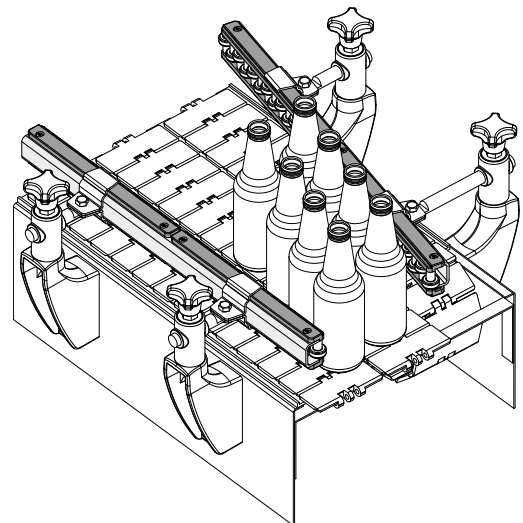
FEATURES: Supplied already assembled. To be used with the guide rail clamp Part.521.

BOX QUANTITY: 2 pieces.

ON REQUEST:

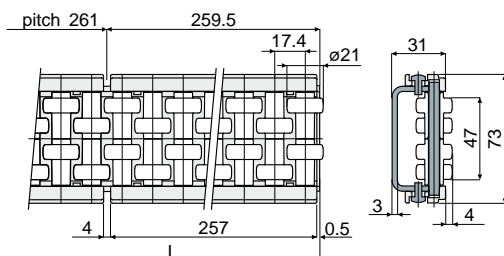
- Module and rollers: can be produced in other colours.

Example of application



Part. 501

Roller side guide with round rollers (double type, rectilinear)



L (mm)	Metal profile in zinc plated steel Code	Metal profile in stainless steel AISI 304 Code
1041	501 / 86990	501 / 86991
2085	501 / 86988	501 / 86989
3129	501 / 86986	501 / 86987

MATERIALS: Rollers in acetal white colour; modules in reinforced polyamide black colour; support pins in stainless steel; metal profile in zinc plated steel or stainless steel AISI 304.

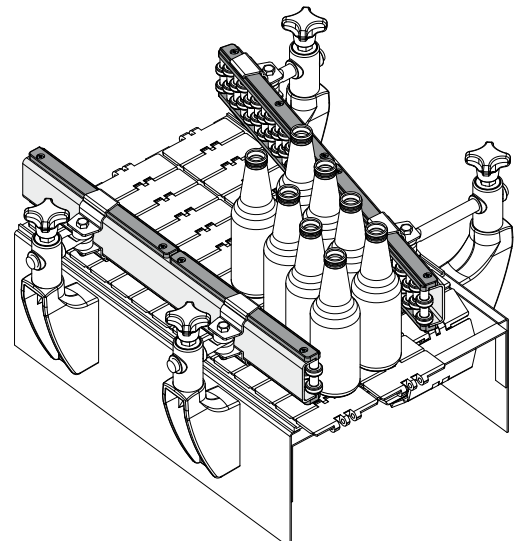
FEATURES: Supplied already assembled. To be used with the guide rail clamp Part.521.

BOX QUANTITY: 2 pieces.

ON REQUEST:

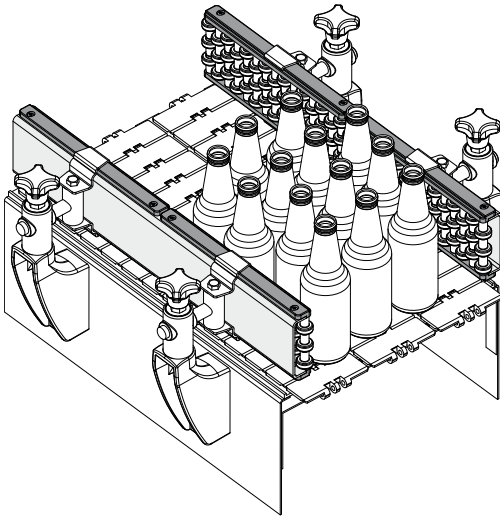
- Module and rollers: can be produced in other colours.

Example of application



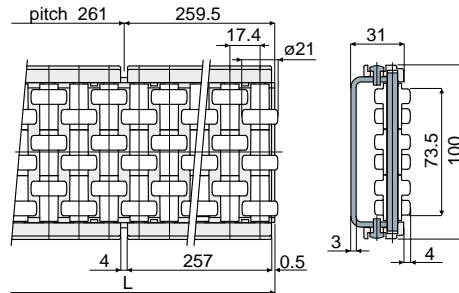
Product guides and accessories

Example of application



Roller side guide with round rollers (triple type, rectilinear)

Part. **501**



L (mm)	Metal profile in zinc plated steel Code	Metal profile in stainless steel AISI 304 Code
1041	501 / 86996	501 / 86997
2085	501 / 86994	501 / 86995
3129	501 / 86992	501 / 86993

MATERIALS: Rollers in acetal white colour; modules in reinforced polyamide black colour; support pins in stainless steel; metal profile in zinc plated steel or stainless steel AISI 304.

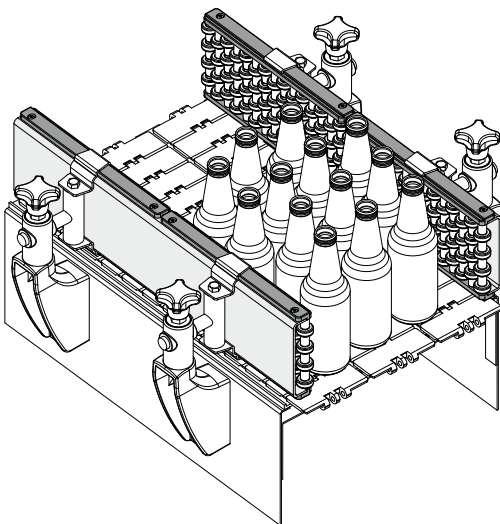
FEATURES: Supplied already assembled. To be used with the guide rail clamp Part.521.

BOX QUANTITY: 2 pieces.

ON REQUEST:

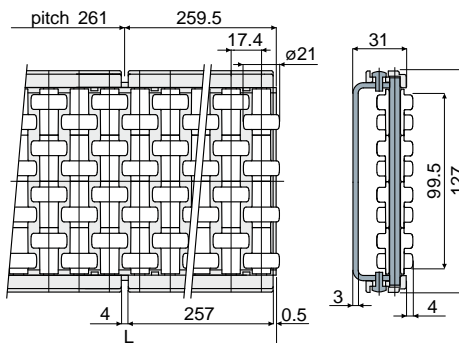
- Module and rollers: can be produced in other colours.

Example of application



Roller side guide with round rollers (quadruple type, rectilinear)

Part. **501**



L (mm)	Metal profile in zinc plated steel Code	Metal profile in stainless steel AISI 304 Code
1041	501 / 87828	501 / 87827
2085	501 / 87830	501 / 87829
3129	501 / 87414	501 / 87415

MATERIALS: Rollers in acetal white colour; modules in reinforced polyamide black colour; support pins in stainless steel; metal profile in zinc plated steel or stainless steel AISI 304.

FEATURES: Supplied already assembled. To be used with the guide rail clamp Part.521.

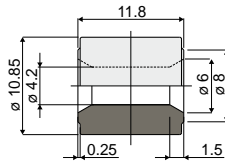
BOX QUANTITY: 2 pieces.

ON REQUEST:

- Module and rollers: can be produced in other colours.

Product guides and accessories

Part. 388 Roller for transfer plates (for Part. 257, 258, 259, 260, 261, 262, 416, 417, 430, 431, 432, 433)



Code
388 / 84131

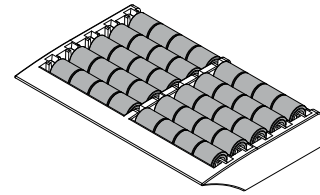
MATERIALS: Roller made of polyethylene, grey colour.

BOX QUANTITY: 480 pieces.

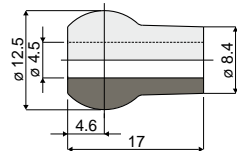
ON REQUEST:

- Rollers: In different colours.
- Box quantity: According to your request.

Example of application



Part. 393 Roller for roller guides (for Part. 306, 307, 308, 319, 345, 423, 448, 451)



Code
393 / 84182

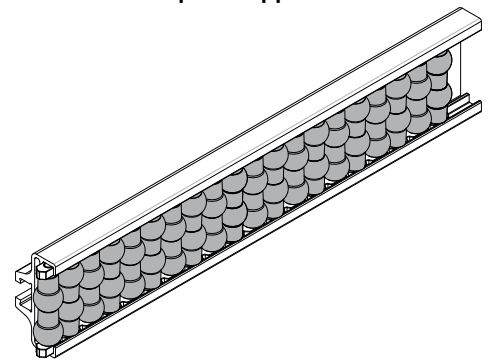
MATERIALS: Roller made of polyethylene, grey colour.

BOX QUANTITY: 480 pieces.

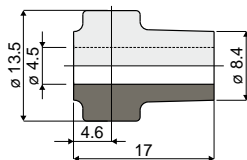
ON REQUEST:

- Rollers: In different colours.
- Box quantity: According to your request.

Example of application



Part. 394 Roller for roller guides (for Part. 344, 355, 356, 357, 358, 421, 450, 453)



Code
394 / 84183

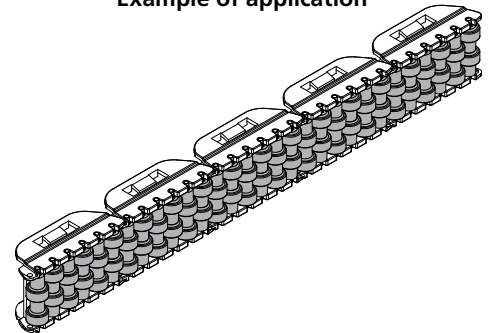
MATERIALS: Roller made of polyethylene, grey colour.

BOX QUANTITY: 480 pieces.

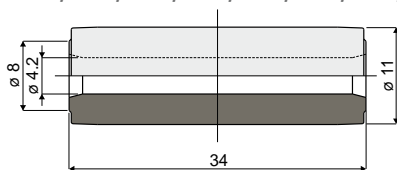
ON REQUEST:

- Rollers: In different colours.
- Box quantity: According to your request.

Example of application



Part. 395 Roller for roller guides (for Part. 325, 326, 327, 328, 339, 422, 449, 452)



Code
395 / 84185

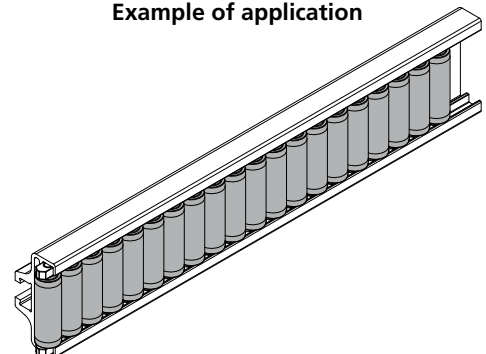
MATERIALS: Roller made of polyethylene, grey colour.

BOX QUANTITY: 480 pieces.

ON REQUEST:

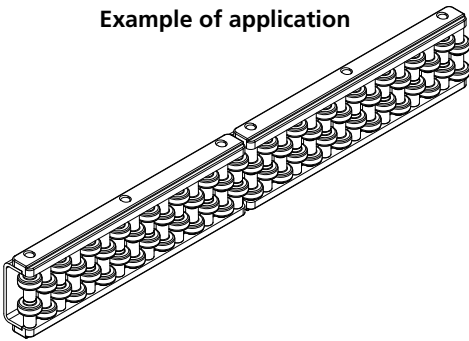
- Rollers: In different colours.
- Box quantity: According to your request.

Example of application



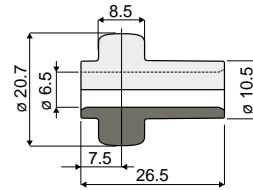
Product guides and accessories

Example of application



Roller for roller guides (for Part. 501, 502)

Part. **500**



Code
500 / 86215

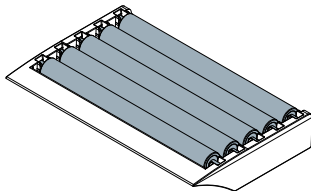
MATERIALS: Roller made of acetal, white colour.

BOX QUANTITY: 480 pieces.

ON REQUEST:

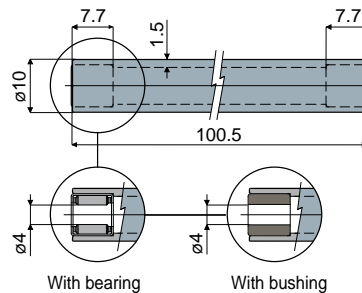
- Rollers: In different colours.
- Box quantity: According to your request.

Example of application



Roller for transfer plates (for Part.257, 417, 258, 259, 430, 431)

Part. **544**



Rollers made of stainless steel AISI 304	
With bearings	With bushings
Code	Code
544 / 90406	544 / 90408

MATERIALS: Roller made of stainless steel AISI 304; bearings made of chrome steel; bushings made of auto-lubricating polyamide.

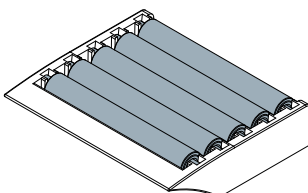
FEATURES: Available with bearings made of chrome steel or with bushings made of auto-lubricating polyamide.

BOX QUANTITY: 96 pieces.

ON REQUEST:

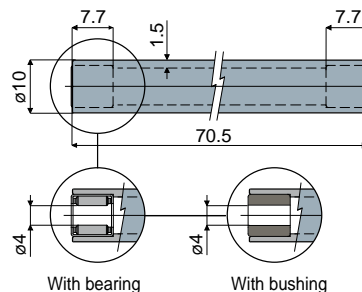
- Box quantity: According to your request.

Example of application



Roller for transfer plates (for Part.260, 416, 261, 262, 432, 433)

Part. **545**



Rollers made of stainless steel AISI 304	
With bearings	With bushings
Code	Code
545 / 90409	545 / 90410

MATERIALS: Roller made of stainless steel AISI 304; bearings made of chrome steel; bushings made of auto-lubricating polyamide.

FEATURES: Available with bearings made of chrome steel or with bushings made of auto-lubricating polyamide.

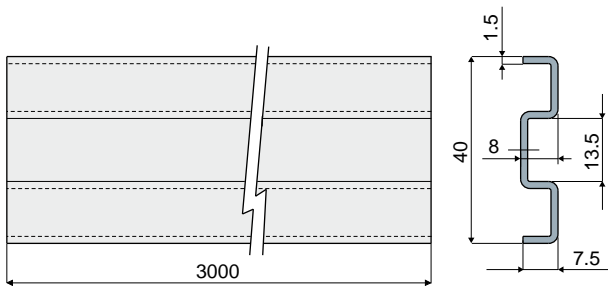
BOX QUANTITY: 96 pieces.

ON REQUEST:

- Box quantity: According to your request.

Product guides and accessories

Part. 330 Profiles for side guides



Stainless steel AISI 304	Stainless steel AISI 430
Code	Code
330 / 83089	330 / 83021

MATERIALS: Profiles in stainless steel AISI 430 or AISI 304.

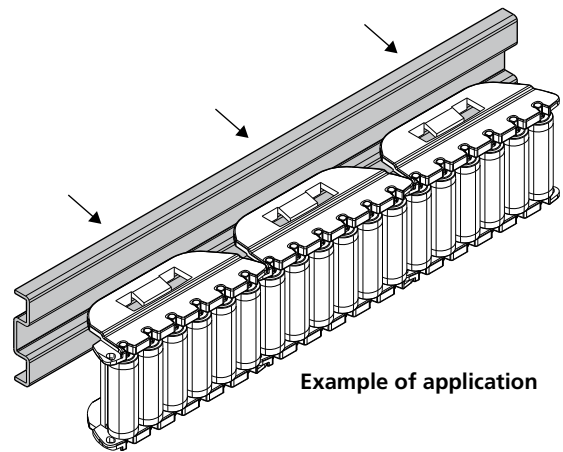
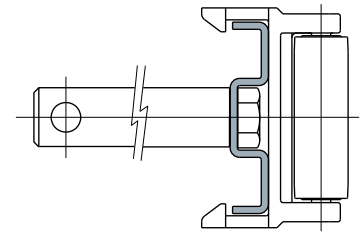
FEATURES: Supplied in bars of 3 meters length. Min. curvature radius: 500 mm. To be used with side guide Part.345, 423, 339, 422, 344, 421.

BOX QUANTITY: 2 bars of 3 meters (total 6 meters).

ON REQUEST:

- **Box quantity:** According to your request.

Example of application

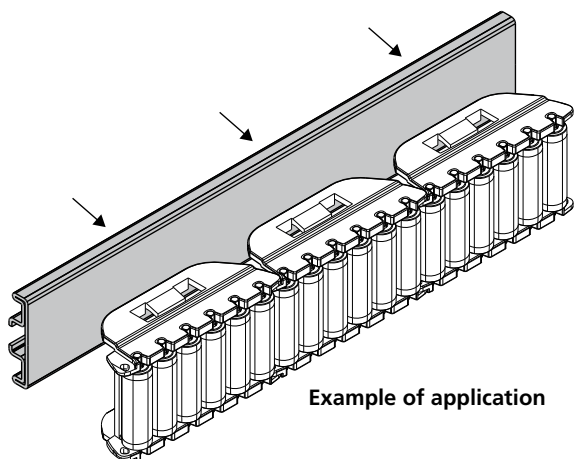
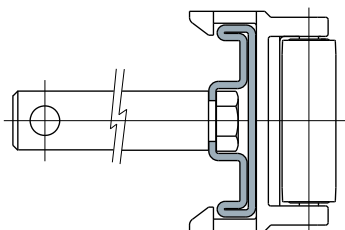


Example of application

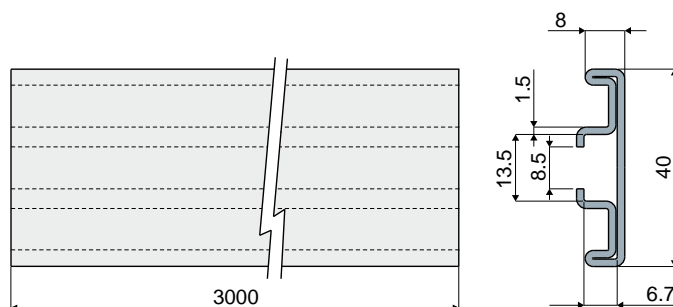
Product guides and accessories

Profile for side guides Part. **375**

Example of application



Example of application



Code

375 / 83890

MATERIALS: Profiles in stainless steel AISI 304.

FEATURES: Supplied in lengths of 3 meters.

To be used with side guide Part.345, 423, 339, 422, 344, 421.

BOX QUANTITY: 2 lengths of 3 meters each (total 6 meters).

ON REQUEST:

- Box quantity: According to your request.

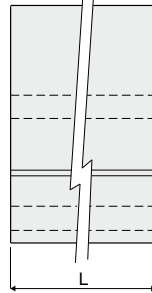
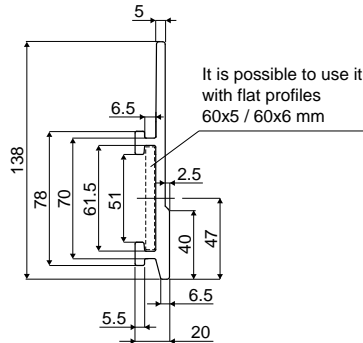
Product guides and accessories

Part. 426

Profile
(for the product side guide)



Code	Colour	L
426 / 84994	Black	3 Mt.
426 / 84995	Black	6 Mt.
426 / 84996	Blue Ral 5005	3 Mt.
426 / 84997	Blue Ral 5005	6 Mt.



MATERIALS: Profile in HMWPE black or blue Ral 5005 colour.

FEATURES: Supplied in lengths of 3 or 6 Mt. Min. curvature radius: 200 mm. To be assembled with clamps Part. 427, 434.

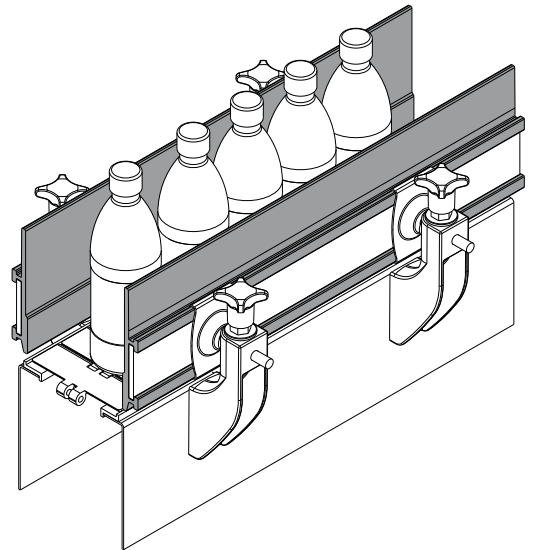
BOX QUANTITY:

- 3 Mt. lengths version: This item is sold in Mt. - Min. 6 Mt. (2 lengths);
- 6 Mt. lengths version: This item is sold in Mt. - Min. 12 Mt. (2 lengths).

ON REQUEST:

- Profiles: In different colours and sizes.
- Box quantity: According to your request.

Example of application

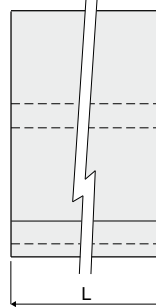
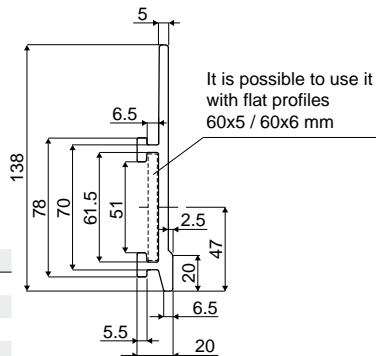


Part. 425

Profile
(for the product side guide)



Code	Colour	L
425 / 84998	Black	3 Mt.
425 / 84999	Black	6 Mt.
425 / 85000	Blue RAL 5005	3 Mt.
425 / 85001	Blue RAL 5005	6 Mt.



MATERIALS: Profile in HMWPE black or blue Ral 5005 colour.

FEATURES: Supplied in lengths of 3 or 6 Mt. Min. curvature radius: 200 mm. To be assembled with clamps Part. 427, 434.

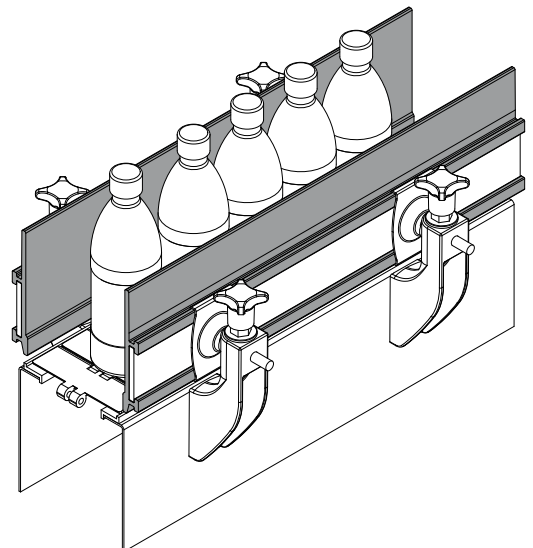
BOX QUANTITY:

- 3 Mt. lengths version: This item is sold in Mt. - Min. 6 Mt. (2 lengths);
- 6 Mt. lengths version: This item is sold in Mt. - Min. 12 Mt. (2 lengths).

ON REQUEST:

- Profiles: In different colours and sizes.
- Box quantity: According to your request.

Example of application

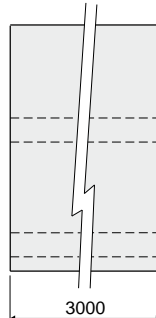
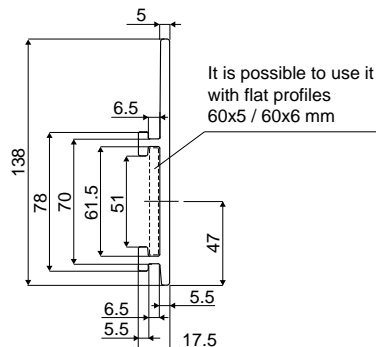


Part. 518

Profile
(for the product side guide)



Code
518 / 87252



MATERIALS: Profile in HMWPE black colour.

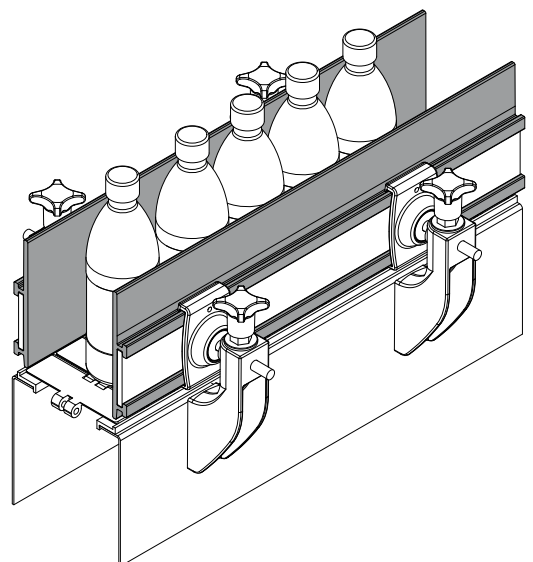
FEATURES: Supplied in lengths of 3 Mt. Min. curvature radius: 200 mm. To be assembled with clamps Part. 427, 434.

BOX QUANTITY: This item is sold in Mt. - min. 6 Mt (2 pieces).

ON REQUEST:

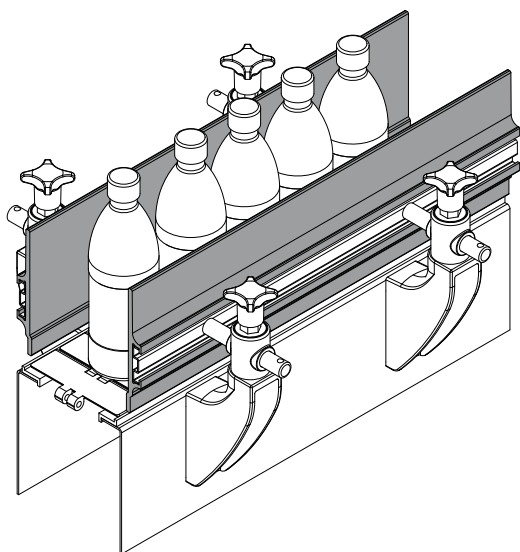
- Profiles: In different colours and sizes.
- Box quantity: According to your request.

Example of application

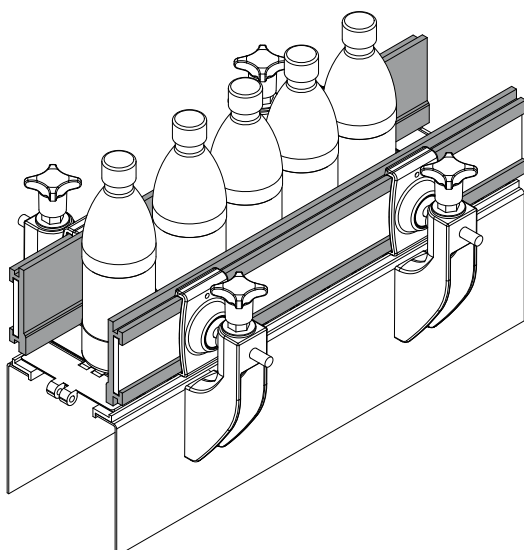


Product guides and accessories

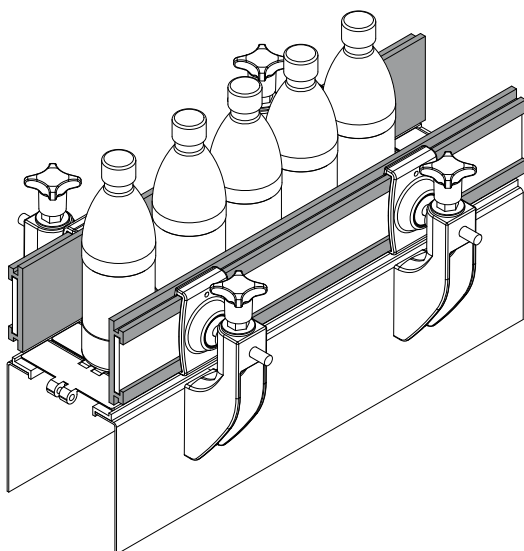
Example of application



Example of application

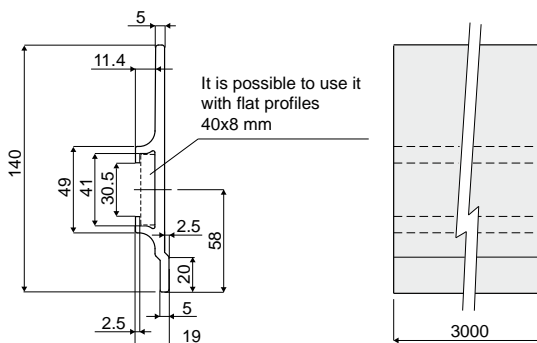


Example of application



Profile
(for the product side guide)

Part. **536**



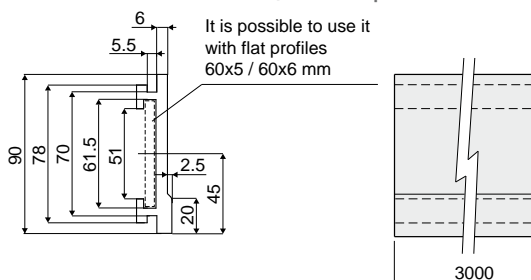
Code
536 / 88699

MATERIALS: Profile in HMWPE black colour.
FEATURES: Supplied in lengths of 3 Mt. To be assembled with profiles Part.330, 375.
BOX QUANTITY: This item is sold in Mt. - min. 6 Mt (2 pieces)
ON REQUEST:

- Profiles: In different colours and sizes.
- Box quantity: According to your request.

Profile
(for the product side guide)

Part. **515**



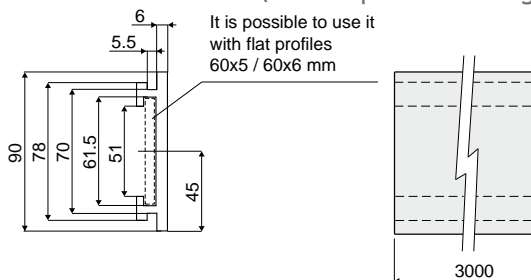
Code
515 / 87156

MATERIALS: Profile in HMWPE black colour.
FEATURES: Supplied in lengths of 3 Mt. Min. curvature radius: 200 mm. To be assembled with clamps Part. 427, 434.
BOX QUANTITY: This item is sold in Mt. - min. 6 Mt (2 pieces)
ON REQUEST:

- Profiles: In different colours and sizes.
- Box quantity: According to your request.

Profile
(for the product side guide)

Part. **534**



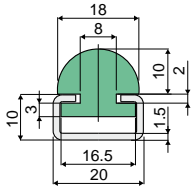
Code	Colour
534 / 88678	Black
534 / 89074	Blue Ral 5005 NEW

MATERIALS: Profile in HMWPE black or blue Ral 5005 colour.
FEATURES: Supplied in lengths of 3 Mt. Min. curvature radius: 200 mm. To be assembled with clamps Part. 427, 434.
BOX QUANTITY: This item is sold in Mt. - min. 6 Mt (2 pieces).
ON REQUEST:

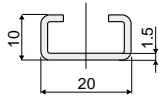
- Profiles: In different colours and sizes.
- Box quantity: According to your request.

Product guides and accessories

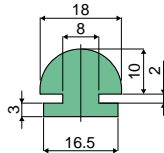
Part. **373** Guide rail (round) (with metal profile)



With profile and guide



Only profile



Only guide

Length	With profile and guide Code
3 Mt.	373 / 83733
6 Mt.	373 / 83735

Length	Only profile Code
3 Mt.	373 / 84303

Length	Only guide Code
3 Mt.	373 / 83882

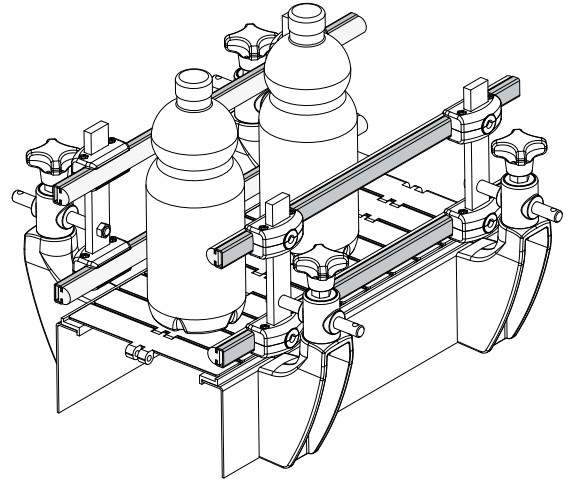
MATERIALS: Extruded HMWPE green colour, metal profile in stainless steel AISI 304.

FEATURES: Min. curvature radius: 145 mm.

BOX QUANTITY:

- 3 Mt. lengths version: This item is sold in Mt. - Min. 6 Mt. (2 lengths);
- 6 Mt. lengths version: This item is sold in Mt. - Min. 12 Mt. (2 lengths).

Example of application

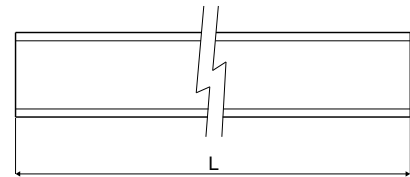
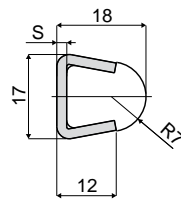
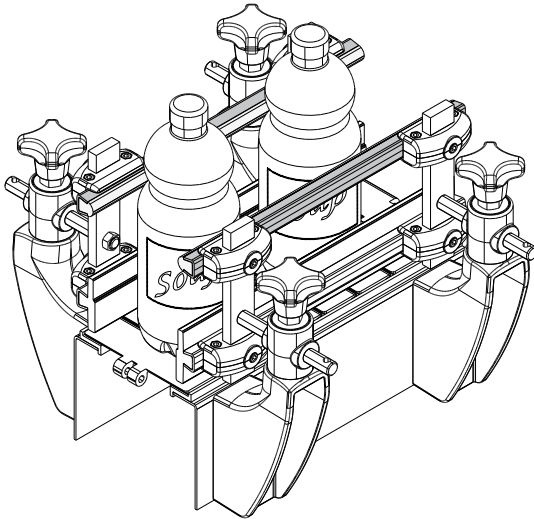


Product guides and accessories

Guide rail (round) (with metal profile)

Part. **354**

Example of application



Code	Colour	S	L
354 / 84198	Polyethylene natural	1,5	6 Mt.
354 / 84199	Polyethylene natural	1,5	3 Mt.
354 / 83442	Polyethylene natural	2	6 Mt.
354 / 83626	Polyethylene natural	2	3 Mt.
354 / 85484	Blue RAL 5005	1,5	6 Mt.
354 / 86726	Blue RAL 5005	1,5	3 Mt.
354 / 85488	Blue RAL 5005	2	6 Mt.
354 / 85486	Blue RAL 5005	2	3 Mt.

MATERIALS: Plastic profile in polyethylene natural or blue Ral 5005 colour; metal profile in stainless steel AISI 304.

FEATURES: Supplied already assembled in lengths of 3 or 6 meters. Min. curvature radius: 145 mm.

BOX QUANTITY:

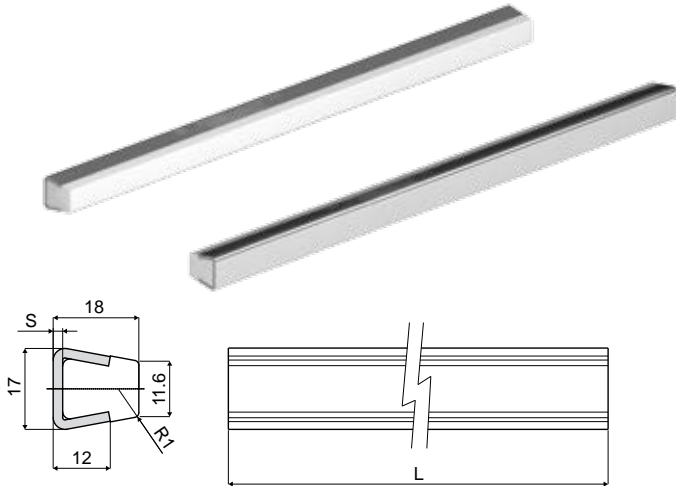
- **3 Mt. lengths version:** This item is sold in Mt. - Min. 6 Mt. (2 lengths);
- **6 Mt. lengths version:** This item is sold in Mt. - Min. 12 Mt. (2 lengths).

ON REQUEST:

- **Box quantity:** According to your request.

Product guides and accessories

Part. 418 Product guide rail (with metal profile)



Code	S	L
418 / 84800	1,5	6 Mt.
418 / 84802	1,5	3 Mt.
418 / 84801	2	6 Mt.
418 / 84803	2	3 Mt.

MATERIALS: Guide profile in natural polyethylene; metal profile in stainless steel AISI 304.

FEATURES: Supplied in lengths of 3 or 6 Mt. Min. curvature radius: 145 mm.

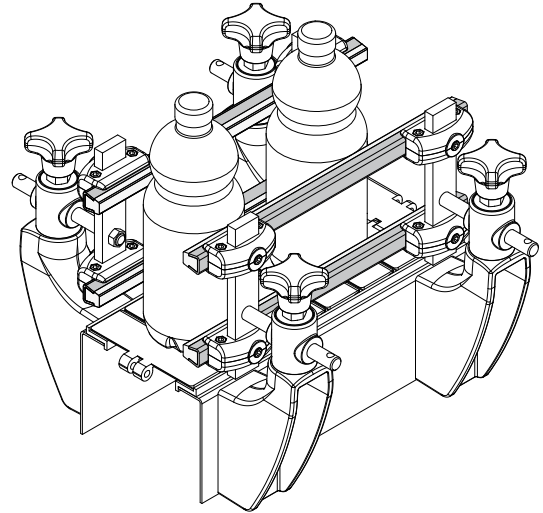
BOX QUANTITY:

- 3 Mt. lengths version: This item is sold in Mt. - Min. 6 Mt. (2 lengths);
- 6 Mt. lengths version: This item is sold in Mt. - Min. 12 Mt. (2 lengths).

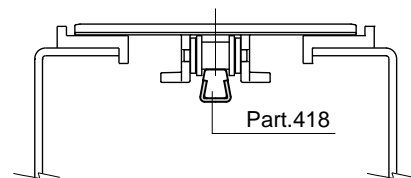
ON REQUEST:

- Box quantity: According to your request.

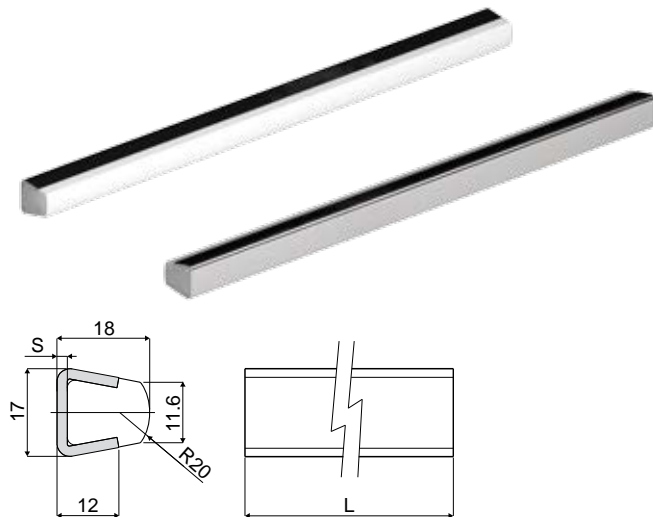
Example of application



Example of application



Part. 419 Product guide rail (with metal profile)



Code	S	L
419 / 84804	1,5	6 Mt.
419 / 84806	1,5	3 Mt.
419 / 84805	2	6 Mt.
419 / 84807	2	3 Mt.

MATERIALS: Guide profile in natural polyethylene; metal profile in stainless steel AISI 304.

FEATURES: Supplied in lengths of 3 or 6 Mt. Min. curvature radius: 145 mm.

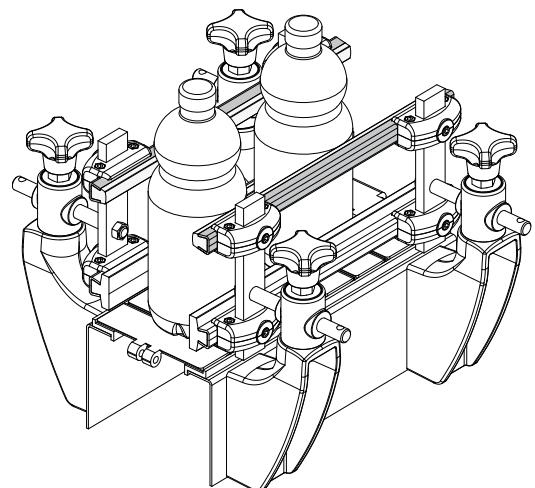
BOX QUANTITY:

- 3 Mt. lengths version: This item is sold in Mt. - Min. 6 Mt. (2 lengths);
- 6 Mt. lengths version: This item is sold in Mt. - Min. 12 Mt. (2 lengths).

ON REQUEST:

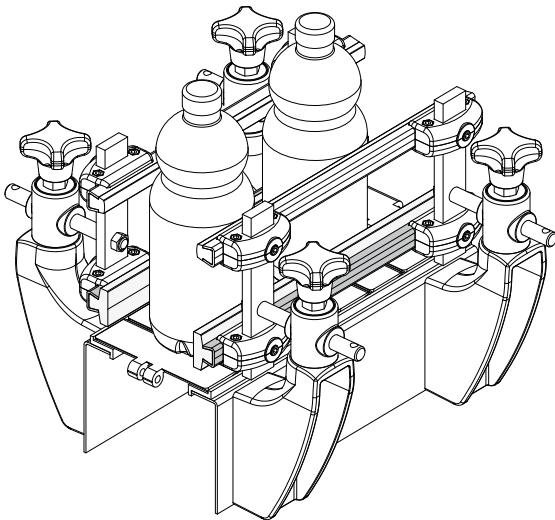
- Box quantity: According to your request.

Example of application

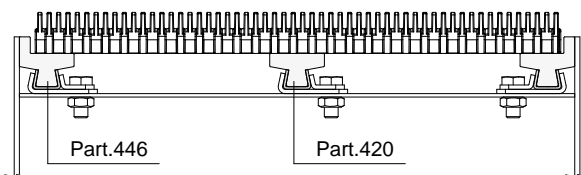


Product guides and accessories

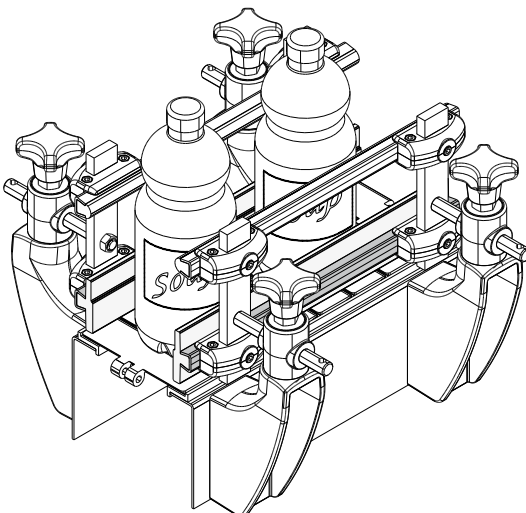
Example of application



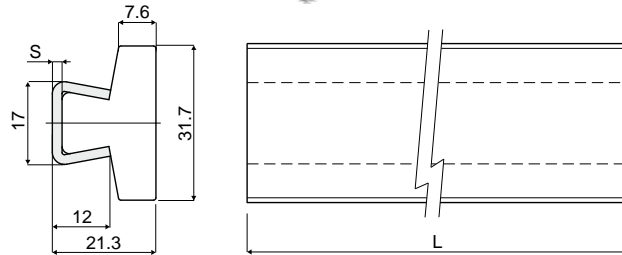
Example of application



Example of application



Side guide rail, flat type **Part. 420** (with metal profile)



Code	S	L
420 / 84808	1,5	6 Mt.
420 / 84810	1,5	3 Mt.
420 / 84809	2	6 Mt.
420 / 84811	2	3 Mt.

MATERIALS: Guide profile in natural polyethylene; metal profile in stainless steel AISI 304.

FEATURES: Supplied in lengths of 3 or 6 Mt. Min. curvature radius: 160 mm.

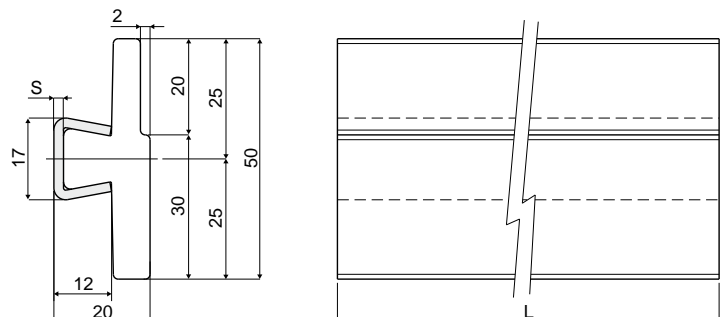
BOX QUANTITY:

- 3 Mt. lengths version: This item is sold in Mt. - Min. 6 Mt. (2 lengths);
- 6 Mt. lengths version: This item is sold in Mt. - Min. 12 Mt. (2 lengths).

ON REQUEST:

- Box quantity: According to your request.

Guide rail **Part. 353** (with metal profile)



Code	S	L
353 / 84196	1,5	6 Mt.
353 / 84197	1,5	3 Mt.
353 / 83441	2	6 Mt.
353 / 83881	2	3 Mt.

MATERIALS: Guide profile in natural polyethylene; metal profile in stainless steel AISI 304.

FEATURES: Supplied in lengths of 3 or 6 Mt. Min. curvature radius: 200 mm.

BOX QUANTITY:

- 3 Mt. lengths version: This item is sold in Mt. - Min. 6 Mt. (2 lengths);
- 6 Mt. lengths version: This item is sold in Mt. - Min. 12 Mt. (2 lengths).

ON REQUEST:

- Box quantity: According to your request

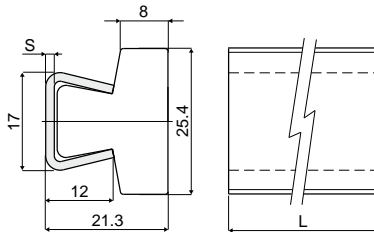
Product guides and accessories

Part. 469

Side guide rail, flat type (with metal profile)



Code	S	L
469 / 85588	1,5	6 Mt.
469 / 85589	1,5	3 Mt.
469 / 85590	2	6 Mt.
469 / 85591	2	3 Mt.



MATERIALS: Guide profile made of HD polyethylene natural; metal profile in stainless steel AISI 304.
FEATURES: Supplied in lengths of 3 or 6 Mt. Min. curvature radius: 160 mm.

BOX QUANTITY:

- 3 Mt. lengths version: This item is sold in Mt. - Min. 6 Mt. (2 lengths);
- 6 Mt. lengths version: This item is sold in Mt. - Min. 12 Mt. (2 lengths).

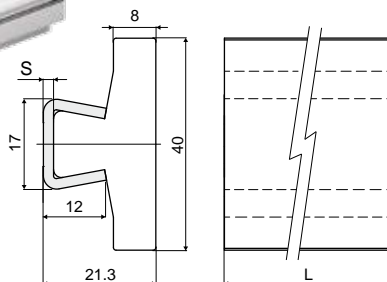
ON REQUEST:

- Box quantity: According to your request.

Part. 514 Side guide rail, flat type (with metal profile)



Code	S	L
514 / 87119	1,5	6 Mt.
514 / 87118	1,5	3 Mt.
514 / 87121	2	6 Mt.
514 / 87120	2	3 Mt.



MATERIALS: Guide profile made of HD polyethylene natural; metal profile in stainless steel AISI 304.
FEATURES: Supplied in lengths of 3 or 6 Mt. Min. curvature radius: 200 mm.

BOX QUANTITY:

- 3 Mt. lengths version: This item is sold in Mt. - Min. 6 Mt. (2 lengths);
- 6 Mt. lengths version: This item is sold in Mt. - Min. 12 Mt. (2 lengths).

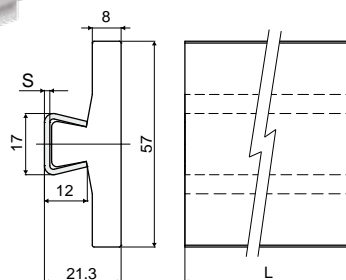
ON REQUEST:

- Box quantity: According to your request.

Part. 485 Side guide rail, flat type (with metal profile)



Code	S	L
485 / 86163	1,5	6 Mt.
485 / 86164	1,5	3 Mt.
485 / 86165	2	6 Mt.
485 / 86166	2	3 Mt.



MATERIALS: Guide profile made of HD polyethylene natural; metal profile in stainless steel AISI 304.
FEATURES: Supplied in lengths of 3 or 6 Mt. Min. curvature radius: 200 mm.

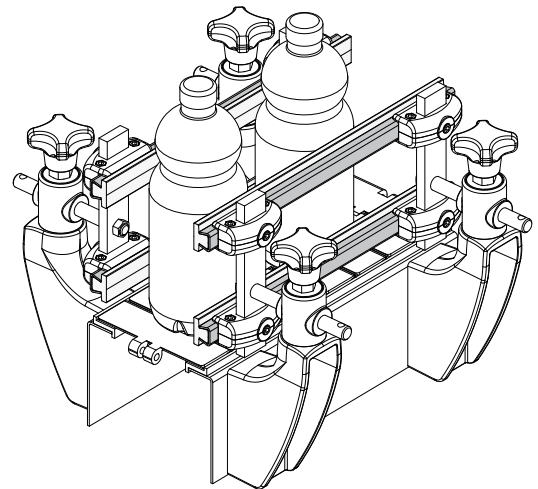
BOX QUANTITY:

- 3 Mt. lengths version: This item is sold in Mt. - Min. 6 Mt. (2 lengths);
- 6 Mt. lengths version: This item is sold in Mt. - Min. 12 Mt. (2 lengths).

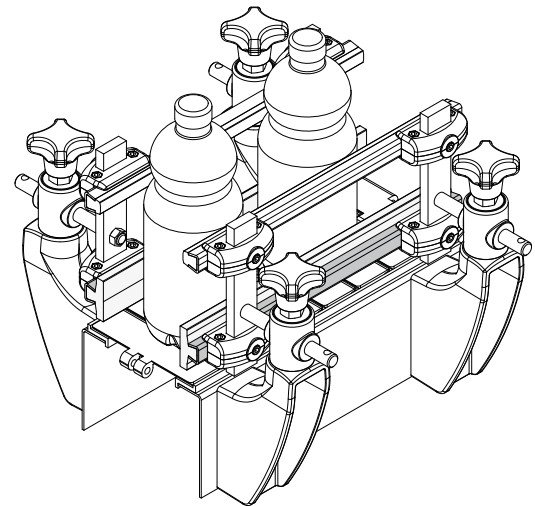
ON REQUEST:

- Box quantity: According to your request.

Example of application

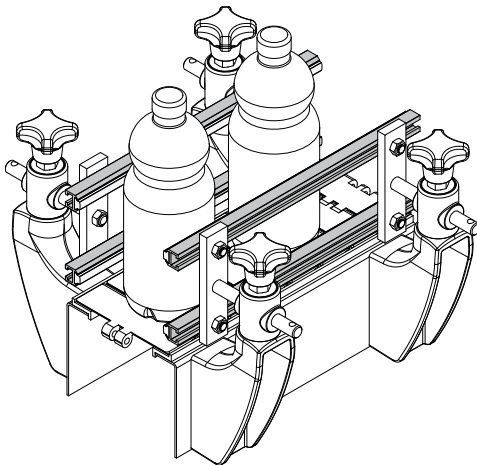


Example of application



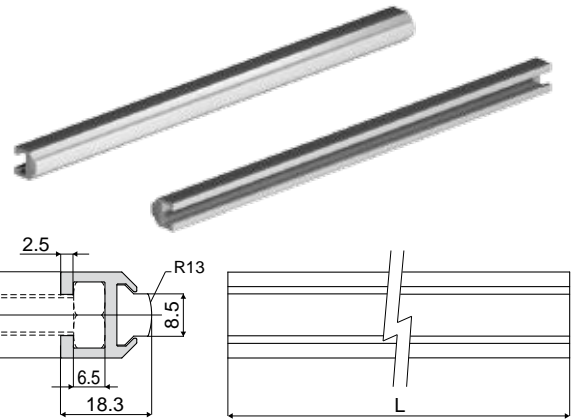
Product guides and accessories

Example of application



Guide rail (semicircular)

Part. **438**



Code	L
438 / 85237	3 Mt.
438 / 85238	6 Mt.

MATERIALS: Guide profile in UHMWPE white colour, metal profile in anodized aluminium.
FEATURES: Min. curvature radius: 110 mm.

BOX QUANTITY:

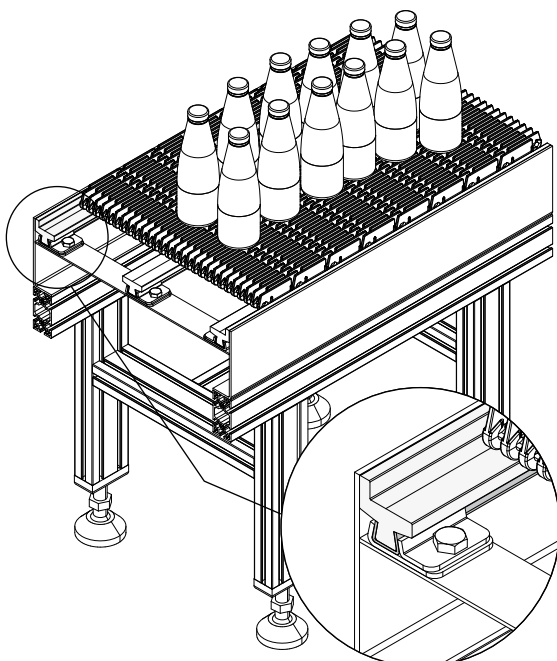
- 3 Mt. lengths version: This item is sold in Mt. - Min. 6 Mt. (2 lengths);
- 6 Mt. lengths version: This item is sold in Mt. - Min. 12 Mt. (2 lengths).

ON REQUEST:

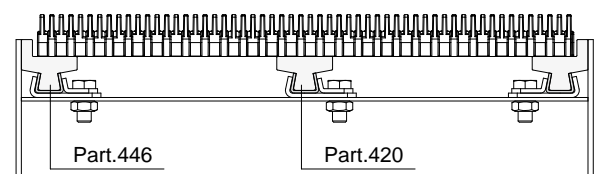
- Box quantity: According to your request.

Chain guides and accessories

Example of application

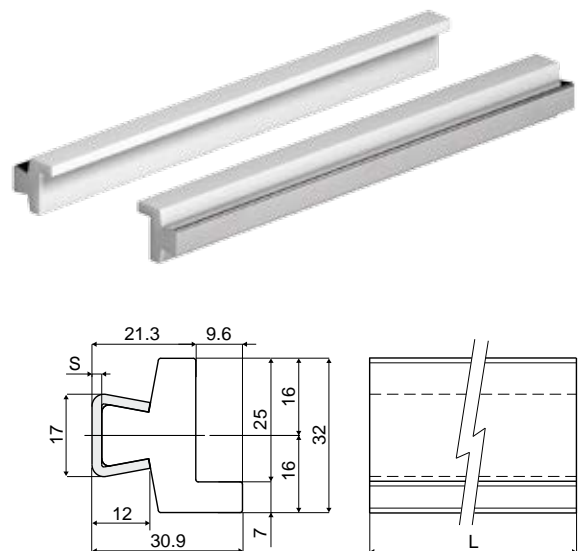


Example of application



Chain guide rail (with metal profile)

Part. **446**



Code	S	L
446 / 85355	1,5	6 Mt.
446 / 85356	1,5	3 Mt.
446 / 85358	2	6 Mt.
446 / 85357	2	3 Mt.

MATERIALS: Plastic profile in polyethylene natural colour; metal profile in stainless steel AISI 304.
FEATURES: Supplied already assembled in lengths of 3 or 6 meters. Min. curvature radius: 200 mm.

BOX QUANTITY:

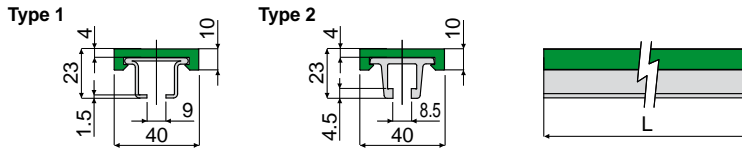
- 3 Mt. lengths version: This item is sold in Mt. - Min. 6 Mt. (2 lengths);
- 6 Mt. lengths version: This item is sold in Mt. - Min. 12 Mt. (2 lengths).

ON REQUEST:

- Box quantity: According to your request.

Chain guides and accessories

Part. 381 Chain guide profile



Type 1				Type 2		
Metal profile in stainless steel AISI 304		Metal profile in stainless steel AISI 430		Metal profile in anodized aluminium		
Code	Code	Colour	L	Code	Colour	L
381 / 84085	381 / 84086	Green	3 Mt.	381 / 84474	Green	3 Mt.
381 / 84954	381 / 84955	Green	6 Mt.	381 / 84475	Green	6 Mt.
381 / 84942	381 / 84946	White	3 Mt.	381 / 84944	White	3 Mt.
381 / 84943	381 / 84947	White	6 Mt.	381 / 84945	White	6 Mt.
381 / 84948	381 / 84952	Black	3 Mt.	381 / 84950	Black	3 Mt.
381 / 84949	381 / 84953	Black	6 Mt.	381 / 84951	Black	6 Mt.
381 / 88130	381 / 88129	Blue Ral 5005	3 Mt.	381 / 87424	Blue Ral 5005	3 Mt.
381 / 88131	381 / 88124	Blue Ral 5005	6 Mt.	381 / 85541	Blue Ral 5005	6 Mt.

MATERIALS: Metal profile in stainless steel AISI 304, AISI 430 or anodized aluminium; guide profile in polyethylene.

FEATURES: Supplied in lengths of 3 or 6 Mt.

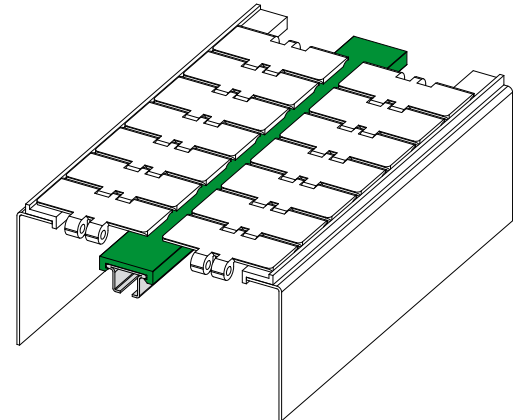
BOX QUANTITY:

- 3 Mt. lengths version: This item is sold in Mt. - Min. 6 Mt. (2 lengths);
- 6 Mt. lengths version: This item is sold in Mt. - Min. 12 Mt. (2 lengths).

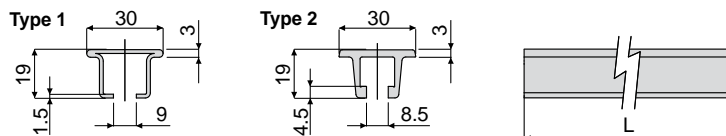
ON REQUEST:

- Guide profiles: In antistatic material black colour.
- Box quantity: According to your request.

Example of application



Part. 384 Chain guide profile



Type 1			Type 2	
Metal profile in stainless steel AISI 304		Metal profile in stainless steel AISI 430	Metal profile in anodized aluminium	
Code	Code	L	Code	L
384 / 84121	384 / 84122	3 Mt.	384 / 84476	3 Mt.
384 / 84956	384 / 84957	6 Mt.	384 / 84477	6 Mt.

MATERIALS: Metal profile in stainless steel AISI 304, AISI 430 or anodized aluminium.

FEATURES: Supplied in lengths of 3 or 6 Mt.

BOX QUANTITY:

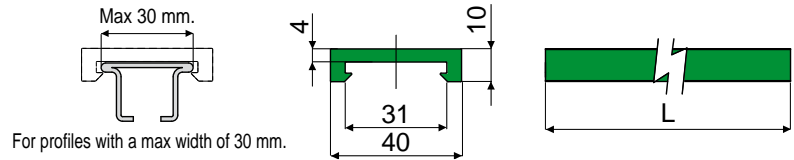
- 3 Mt. lengths version: This item is sold in Mt. - Min. 6 Mt. (2 lengths);
- 6 Mt. lengths version: This item is sold in Mt. - Min. 12 Mt. (2 lengths).

ON REQUEST:

- Box quantity: According to your request.

Chain guides and accessories

Chain guide profile Part. 385



For profiles with a max width of 30 mm.

Code	Colour	L
385 / 84123	Green	3 Mt.
385 / 84478	Green	6 Mt.
385 / 84940	White	3 Mt.
385 / 84577	White	6 Mt.
385 / 84941	Black	3 Mt.
385 / 84578	Black	6 Mt.
385 / 88127	Blue Ral 5005	3 Mt.
385 / 88128	Blue Ral 5005	6 Mt.

MATERIALS: Guide profile in polyethylene.

FEATURES: Supplied in lengths of 3 or 6 Mt.

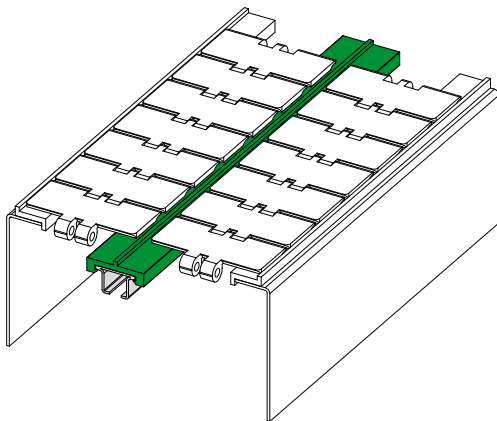
BOX QUANTITY:

- 3 Mt. lengths version: This item is sold in Mt. - Min. 6 Mt. (2 lengths);
- 6 Mt. lengths version: This item is sold in Mt. - Min. 12 Mt. (2 lengths).

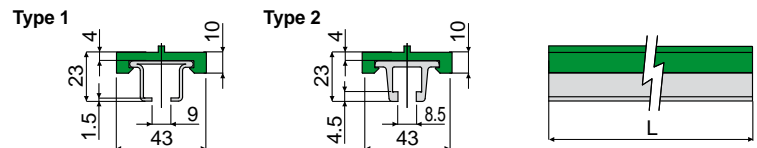
ON REQUEST:

- Guide profiles: In antistatic material black colour.
- Box quantity: According to your request.

Example of application



Chain guide profile Part. 513



Type 1				Type 2		
Metal profile in stainless steel AISI 304		Metal profile in stainless steel AISI 430		Metal profile in anodized aluminium		
Code	Code	Colour	L	Code	Colour	L
513 / 87081	513 / 87083	Green	3 Mt.	513 / 87085	Green	3 Mt.
513 / 87082	513 / 87084	Green	6 Mt.	513 / 87086	Green	6 Mt.

MATERIALS: Metal profile in stainless steel AISI 304, AISI 430 or anodized aluminium; guide profile in polyethylene.

FEATURES: Supplied in lengths of 3 or 6 Mt.

BOX QUANTITY:

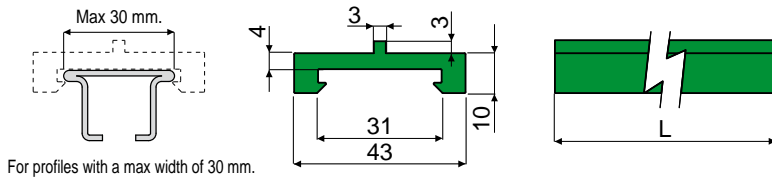
- 3 Mt. lengths version: This item is sold in Mt. - Min. 6 Mt. (2 lengths);
- 6 Mt. lengths version: This item is sold in Mt. - Min. 12 Mt. (2 lengths).

ON REQUEST:

- Guide profiles: In antistatic material black colour.
- Box quantity: According to your request.

Chain guides and accessories

Part. 512 Chain guide profile



For profiles with a max width of 30 mm.

Code	Colour	L
512 / 87079	Green	3 Mt.
512 / 87080	Green	6 Mt.

MATERIALS: Guide profile in polyethylene.

FEATURES: Supplied in lengths of 3 or 6 Mt.

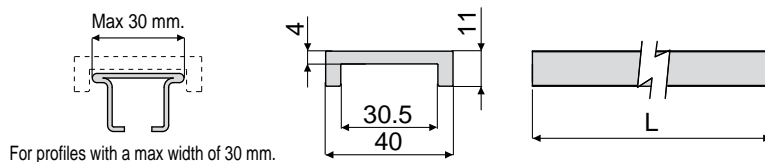
BOX QUANTITY:

- 3 Mt. lengths version: This item is sold in Mt. - Min. 6 Mt. (2 lengths);
- 6 Mt. lengths version: This item is sold in Mt. - Min. 12 Mt. (2 lengths).

ON REQUEST:

- Guide profiles: In antistatic material black colour.
- Box quantity: According to your request.

Part. 517 Chain guide profile (with rectified sliding surface)



For profiles with a max width of 30 mm.

Code	Colour	L
517 / 87377	Black	3 Mt.
517 / 87378	Black	6 Mt.

MATERIALS: Guide profile in polyethylene.

FEATURES: Rectified sliding surface. Supplied in lengths of 3 or 6 Mt.

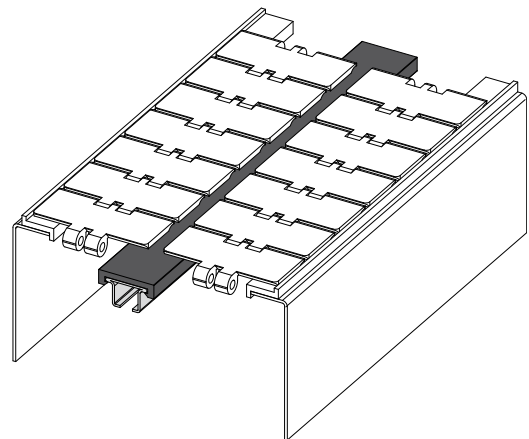
BOX QUANTITY:

- 3 Mt. lengths version: This item is sold in Mt. - Min. 6 Mt. (2 lengths);
- 6 Mt. lengths version: This item is sold in Mt. - Min. 12 Mt. (2 lengths).

ON REQUEST:

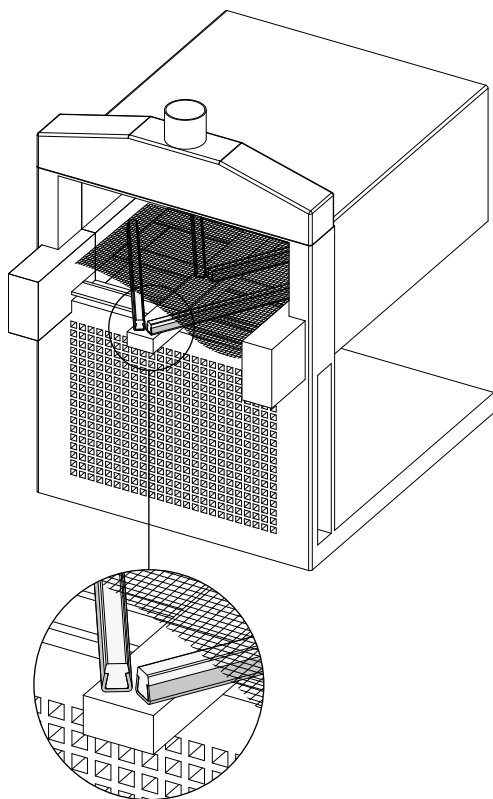
- Guide profiles: In antistatic material black colour.
- Box quantity: According to your request.

Example of application



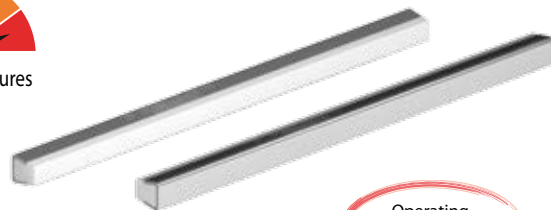
Chain guides and accessories

Example of application

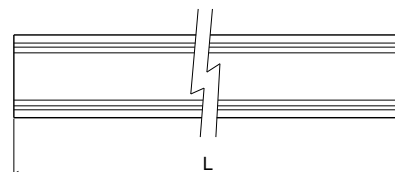
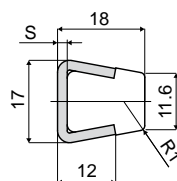


Guide rail for high temperatures (with metal profile)

Part. **377**



Operating temperatures up to 260°C



Code	S	L
377 / 85476	1,5	3 Mt.
377 / 83973	2	3 Mt.

MATERIALS: Guide profile in PTFE (Teflon) natural colour; metal profile in stainless steel AISI 304.
FEATURES: To be used in every application where the resistance to the high temperatures is needed; for example: ovens, fryers, filling areas with high temperature, steam rooms, kitchens etc. Supplied in 3 meters lengths. Min. curvature radius: 145 mm.

BOX QUANTITY: 2 bars of 3 meters (total 6 meters).

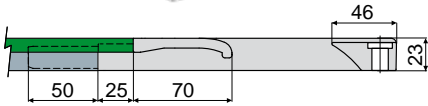
ON REQUEST:

- Box quantity: According to your request.

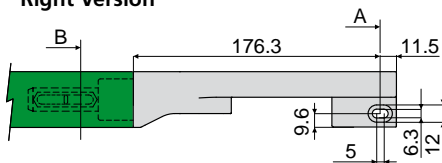
Chain guides and accessories

Part. **444**

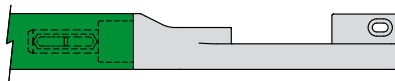
Chain inlet guide shoe
(side)



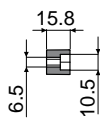
Right Version



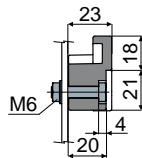
Left Version



Section B



Section A



For stainless steel profiles	
Version	Code
Right	444 / 85308
Left	444 / 85309

For aluminium profiles	
Version	Code
Right	444 / 88953
Left	444 / 89037

NEW
NEW

MATERIALS: Shoe in black polyamide.

FEATURES: To be assembled near to the idler wheels to drive the chain on the transport guides: Part.381, 384, 513.

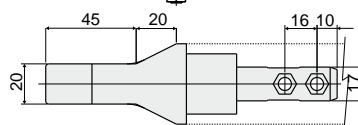
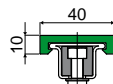
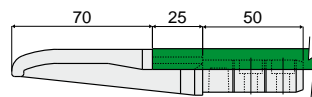
BOX QUANTITY: 24 pieces.

ON REQUEST:

- Shoes: In various colours.
- Box quantity: According to your request.

Part. **389**

Chain inlet guide shoe
(central)



For stainless steel profiles	
Code	
389 / 84165	

For aluminium profiles	
Code	
389 / 89049	

NEW

MATERIALS: Shoe in black polyamide.

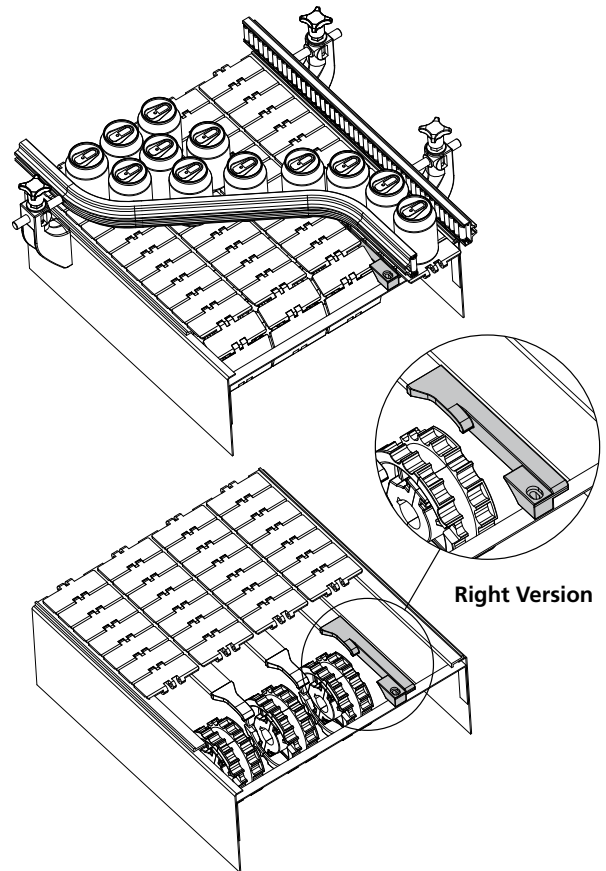
FEATURES: To be assembled near to the idler wheels to drive the chain on the transport guides: Part.381, 384, 513.

BOX QUANTITY: 24 pieces.

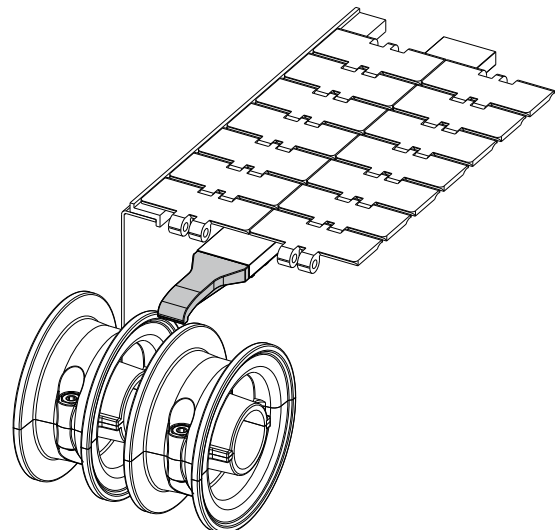
ON REQUEST:

- Shoes: In various colours.
- Box quantity: According to your request.

Example of application

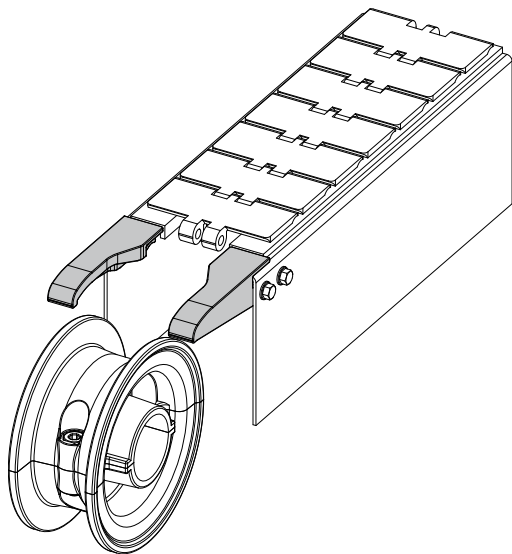


Example of application



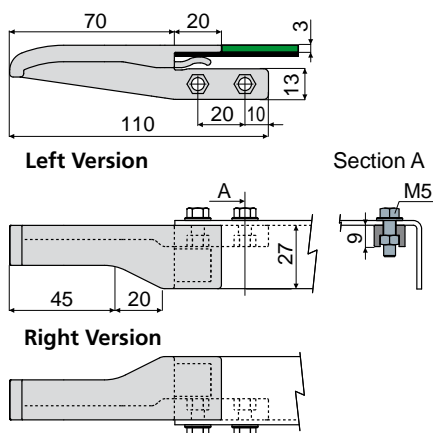
Chain guides and accessories

Example of application



Chain inlet guide shoe

Part. **519**



Version	Code
Right	519 / 87254
Left	519 / 87255
Right + Left	519 / 87256

MATERIALS: Shoe in black polyamide.

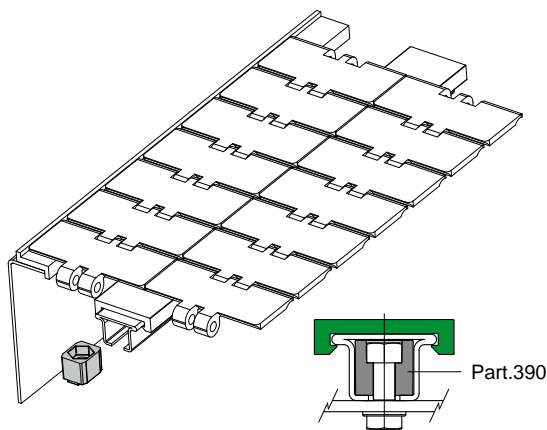
FEATURES: To be assembled near to the idler wheels to drive the chain on the transport guides.

BOX QUANTITY: 24 pieces.

ON REQUEST:

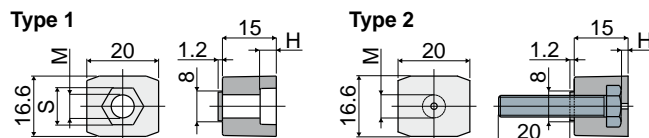
- Shoes: In various colours.
- Box quantity: According to your request.

Example of application



Mounting block for chain guide profile

Part. **390**



Type 1 (without screw)				Type 2 (with screw)		
Code	M	H	S	Code	M	H
390 / 84166	M6	4,5	10	390 / 87189	M6	2
390 / 84167	M8	6	13			

MATERIALS: Mounting block in reinforced polyamide, black colour; screw in stainless steel.

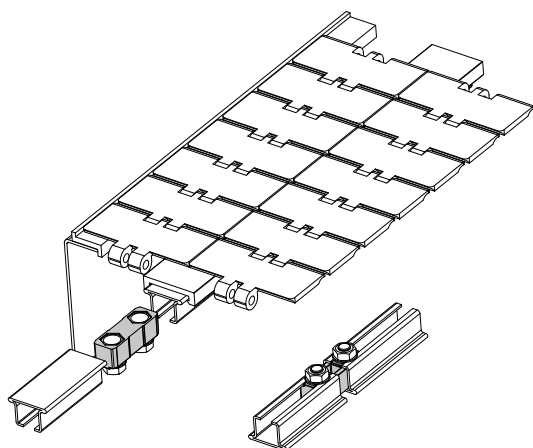
FEATURES: To be used for the guide fixing on the frame: Part.381, 384, 513 (excluding versions with aluminium metal profile).

BOX QUANTITY: 96 pieces.

ON REQUEST:

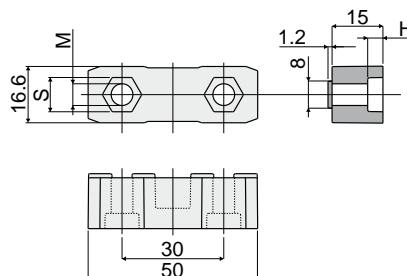
- Mounting blocks: In various colours.
- Box quantity: According to your request.

Example of application



Connecting block for chain guide profile

Part. **391**



Code	M	H	S
391 / 84168	M6	4,5	10
391 / 84169	M8	6	13

MATERIALS: Connecting block in reinforced polyamide, black colour.

FEATURES: To be used to joint the guides: Part.381, 384, 513 (excluding versions with aluminium metal profile).

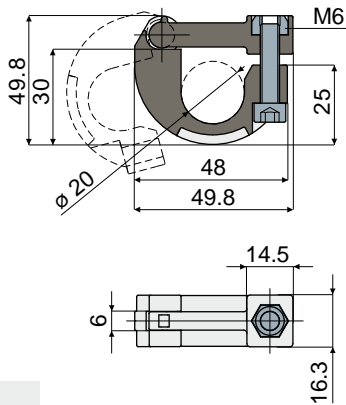
BOX QUANTITY: 48 pieces.

ON REQUEST:

- Connecting blocks: In various colours.
- Box quantity: According to your request.

Chain guides and accessories

Part. 461 Hinge joint



Code
461 / 85473

MATERIALS: Joint in reinforced polyamide black colour; bolts and nuts in stainless steel AISI 304.

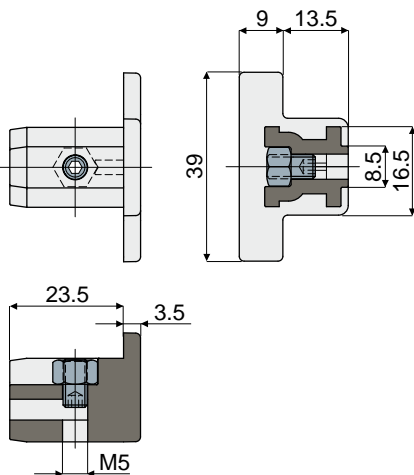
FEATURES: To be used to join the guides Part.381, 384, 513 (excluding versions with aluminium metal profile); supplied complete with bolts and nuts.

BOX QUANTITY: 8 pieces.

ON REQUEST:

- Joints: In other colours.
- Box quantity: According to your request.

Part. 492 Closing cap (for chain guide profile Part.381)



Code
492 / 87013

MATERIALS: Cap in reinforced polyamide grey colour; nut and grub screw in stainless steel AISI 304.

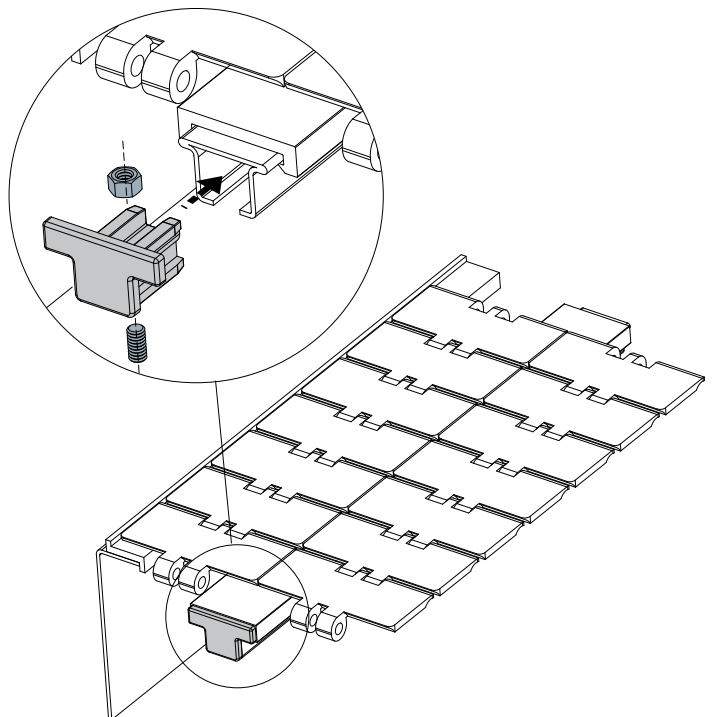
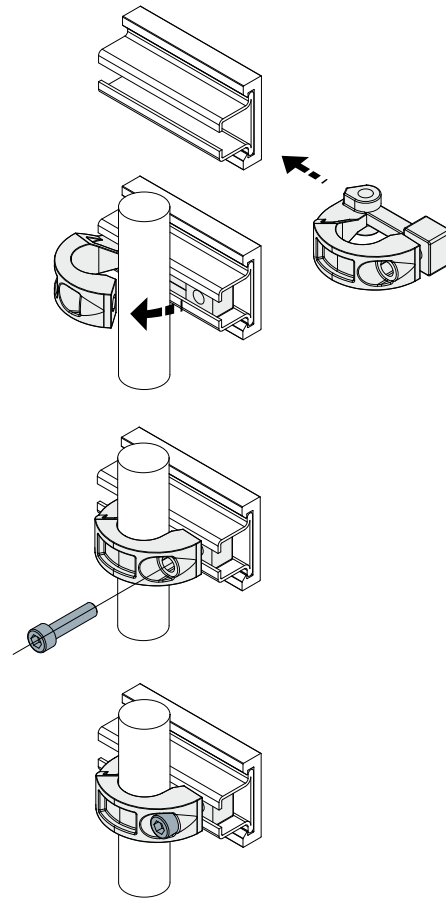
FEATURES: To be used as a closure cap at the extremities of the chain guide profiles Part.381, 384, 513 (excluding versions with aluminium metal profile).

BOX QUANTITY: 24 pieces.

ON REQUEST:

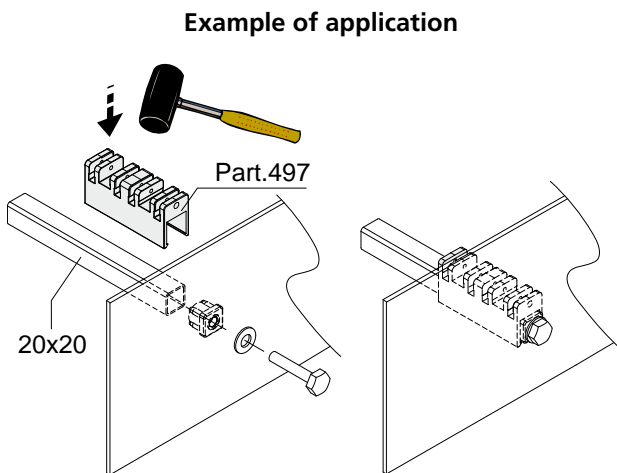
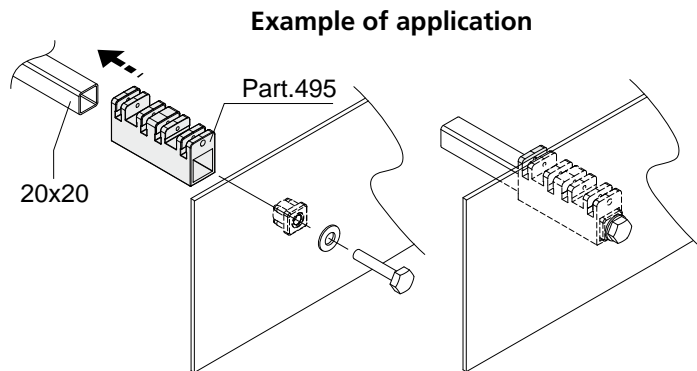
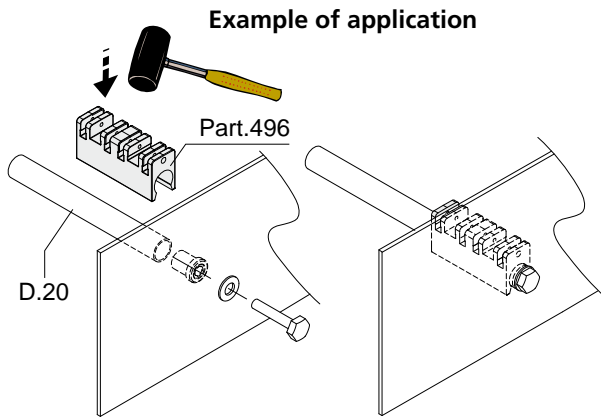
- Assembling of: Nuts and grub screws.
- Box quantity: According to your request.

Example of application

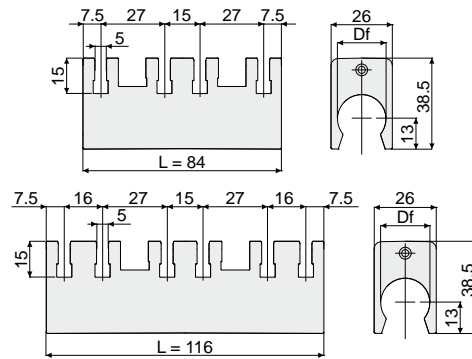


Example of application

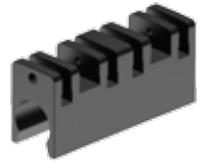
Chain guides and accessories



Spacer for chain return (open version, for round tubes)



Part. **496**

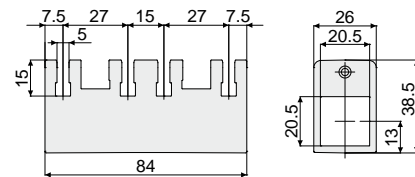


Df Bore for round tubes of (mm)	L	Code
20	84	496 / 87017
	116	496 / 87018

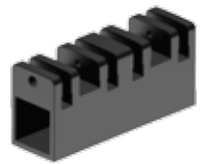
MATERIALS: Spacer in polyamide black colour.
FEATURES: To be used together with the sliding profile Part.499.
BOX QUANTITY: 24 pieces.
ON REQUEST:

- Spacers: In various colours.
- Box quantity: According to your request.

Spacer for chain return (closed version, for square tubes)



Part. **495**

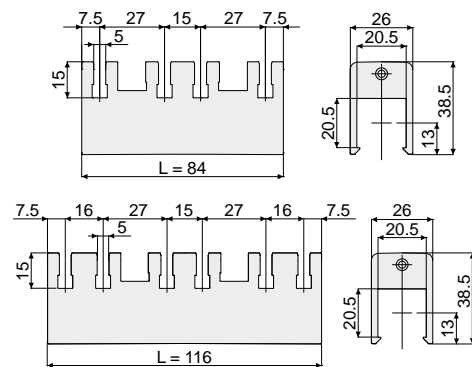


Code
495 / 87016

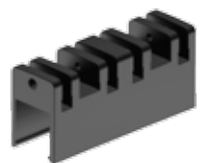
MATERIALS: Spacer in polyamide black colour.
FEATURES: To be used together with the sliding profile Part.499.
BOX QUANTITY: 24 pieces.
ON REQUEST:

- Spacers: In various colours.
- Box quantity: According to your request.

Spacer for chain return (open version, for square tubes)



Part. **497**



Df Bore for square tubes of (mm)	L	Code
20x20	84	497 / 87019
	116	497 / 87020

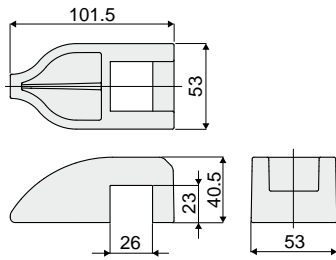
MATERIALS: Spacer in polyamide black colour.
FEATURES: To be used together with the sliding profile Part.499.
BOX QUANTITY: 24 pieces.
ON REQUEST:

- Spacers: In various colours.
- Box quantity: According to your request.

Chain guides and accessories

Part. 471

Shoe for chain return



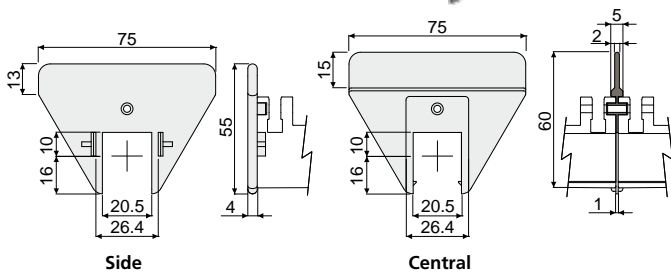
Code
471 / 85796

MATERIALS: Shoe is made of HD polyethylene green colour.
FEATURES: To be used together with the spacers Part.495, 496, 497 and with the profile Part.499. Pressure mounting.
BOX QUANTITY: 24 pieces.
ON REQUEST:

- Shoes: In various colours.
- Box quantity: According to your request.

Part. 498

Striker



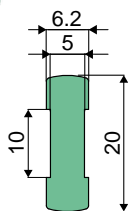
Type	Code
Side	498 / 87021
Central	498 / 87022

MATERIALS: Striker in polyamide black colour.
FEATURES: To be used together with the spacers Part.495, 496, 497.
BOX QUANTITY: 24 pieces.
ON REQUEST:

- Strikers: In various colours.
- Box quantity: According to your request.

Part. 499

Sliding profile

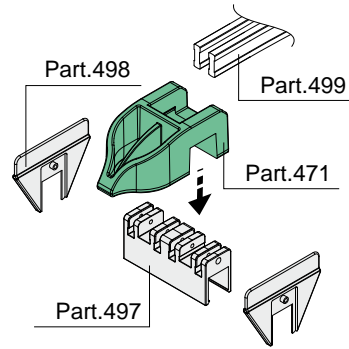


Code
499 / 87023

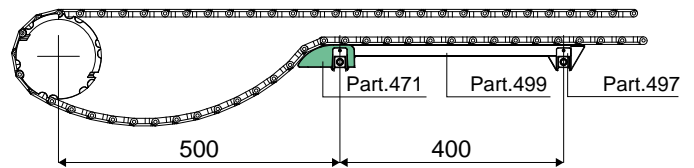
MATERIALS: Extruded polyethylene green colour.
FEATURES: To be used together with the spacers Part.495, 496, 497.
BOX QUANTITY: This item is sold in Mt. - Min. 60 Mt.
ON REQUEST:

- Profiles: Different colours and lengths.
- Box quantity: According to your request.

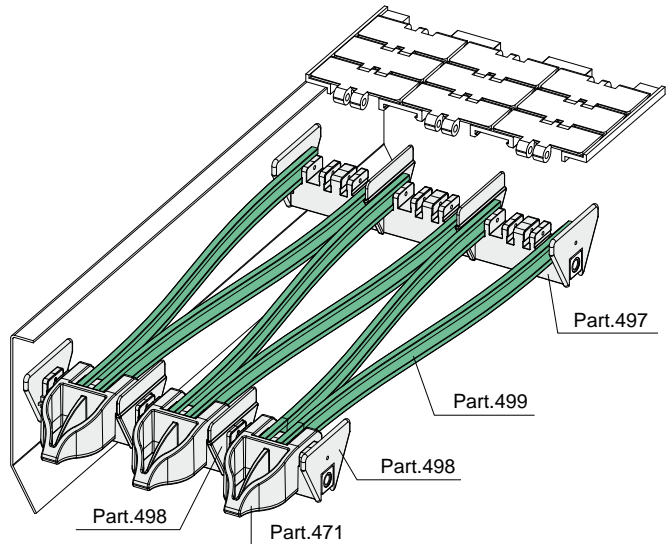
Example of application



Example of application

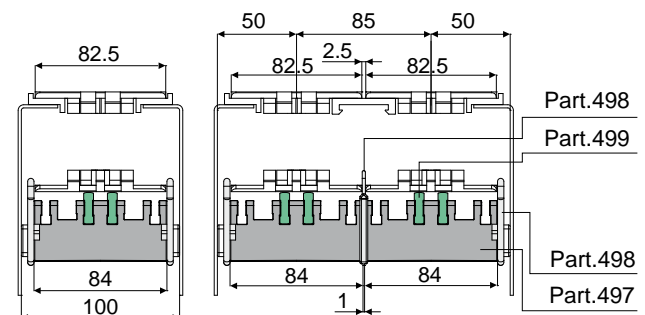


Example of application

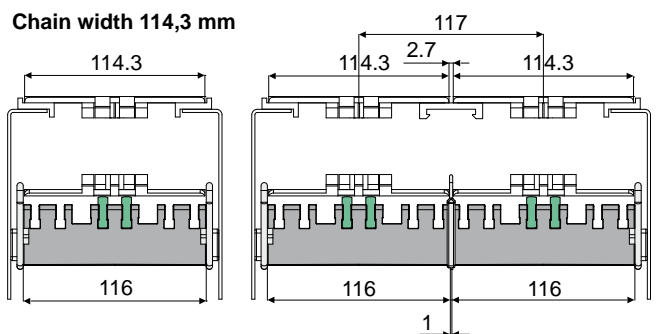


Example of mounting

Chain width 82,5 mm

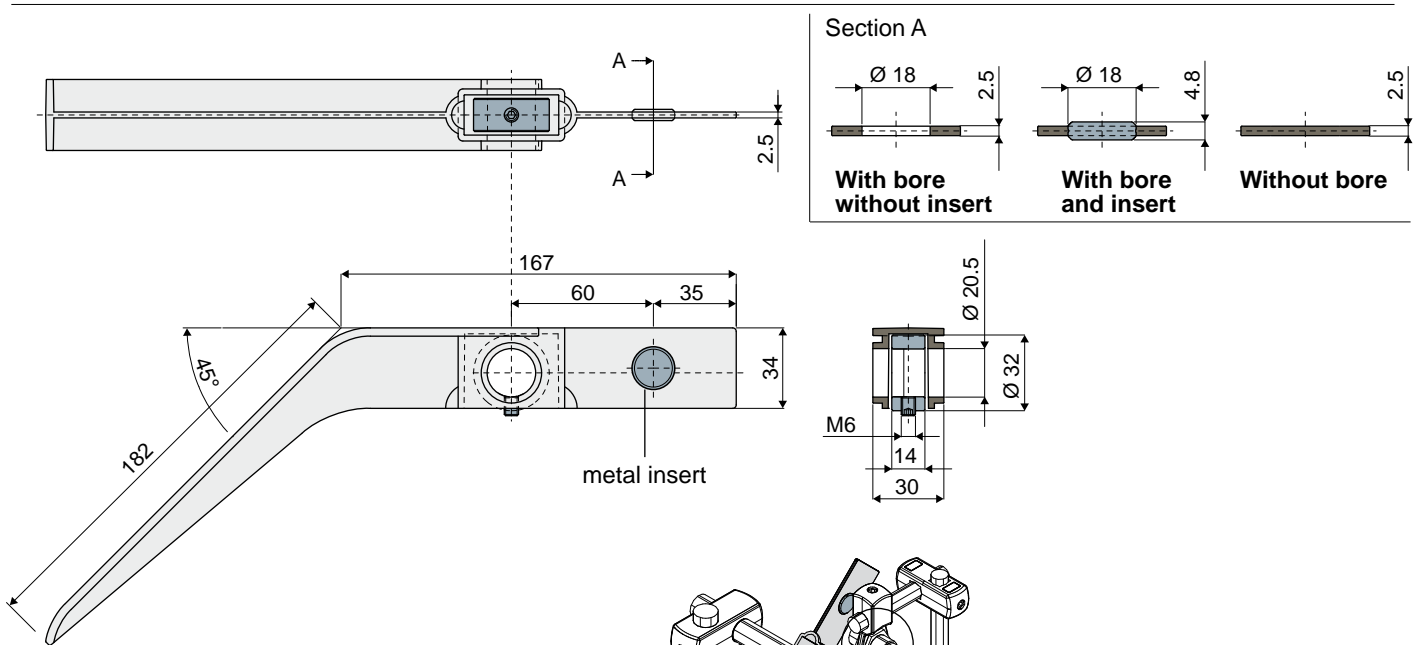


Chain width 114,3 mm



Process control

Scanning lever Part. 360



Stop ring in zinc plated steel		
Without bore	With bore without sensor insert	With bore and sensor insert
Code	Code	Code
360 / 83606	360 / 83607	360 / 83608

Stop ring in stainless steel AISI 304		
Without bore	With bore without sensor insert	With bore and sensor insert
Code	Code	Code
360 / 84091	360 / 85184	360 / 85185

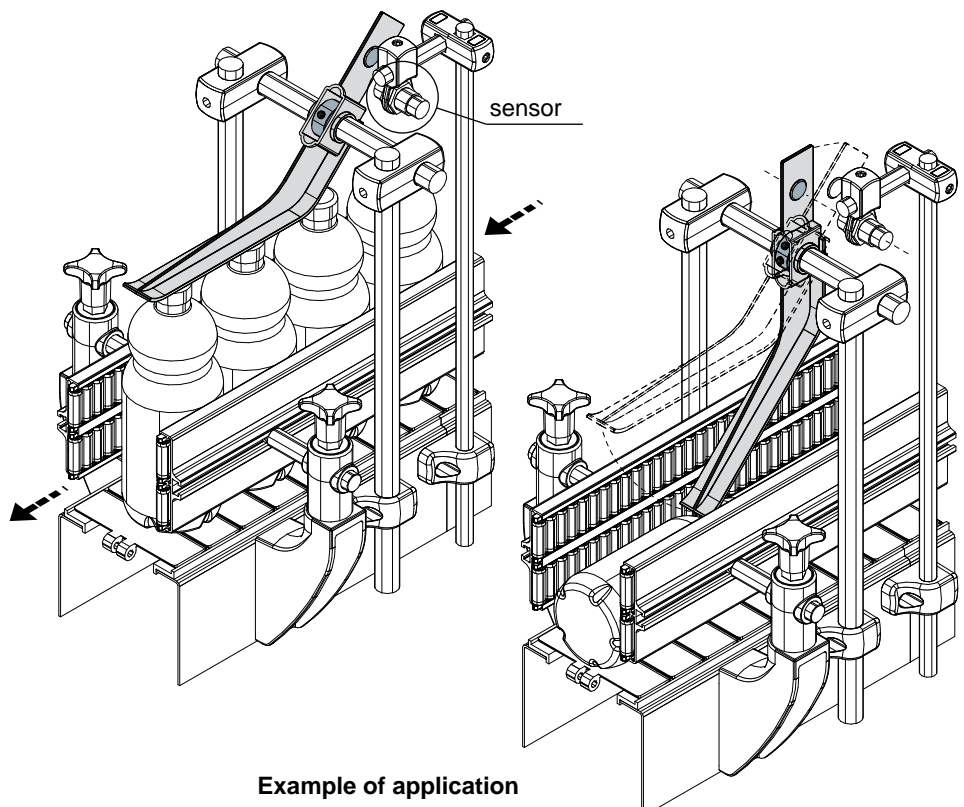
MATERIALS: Scanning lever in reinforced polyamide black colour; grain and collar in zinc plated steel or stainless steel AISI 304.

FEATURES: Supplied assembled. To be used in the surveying of the packaged products.

BOX QUANTITY: 24 pieces.

ON REQUEST:

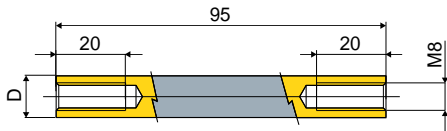
- Scanning levers: Versions without stop ring nor sensor insert; in different colours.
- Box quantity: According to your request.



Example of application

Accessories for the cross adjustment of the side guides

Part. 429 Spacer (for conveyors' section)



D (mm)	Code
12	429 / 85065
16	429 / 85066

MATERIALS: Spacers in stainless steel AISI 304.

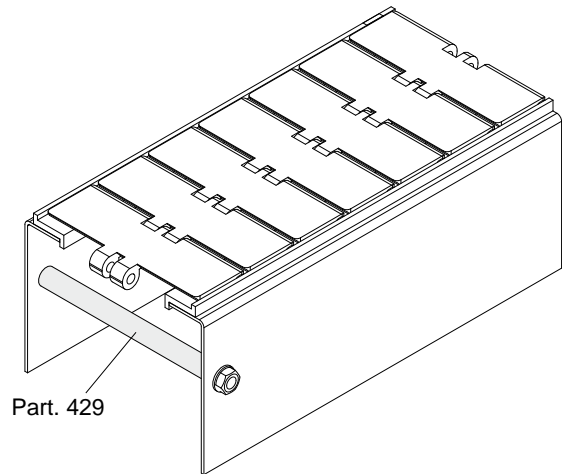
FEATURES: To be used to fix the frame in the conveyor system.

BOX QUANTITY: 24 pieces.

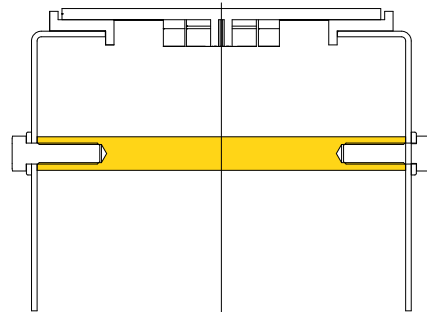
ON REQUEST:

- Box quantity: According to your request.

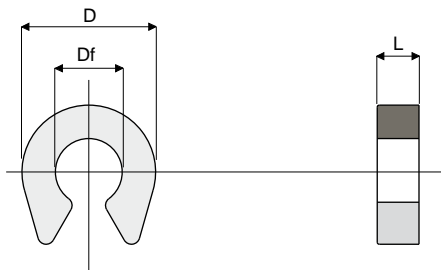
Example of application



Part. 429



Part. 316 Spacer for rail-holder cylinder



Df Bore diameter (mm)	D (mm)	L (mm)	Code
8	16	2,5	316 / 82871
8	16	5	316 / 82872

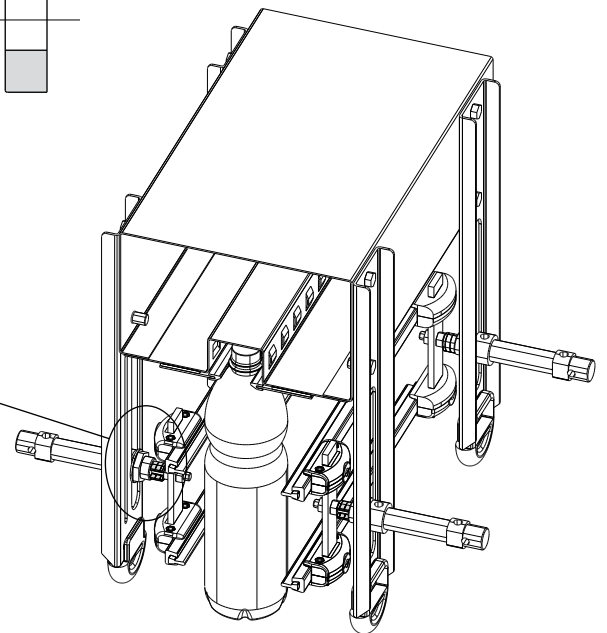
MATERIALS: Spacer made of polyamide black colour.

FEATURES: To be used as spacer for the stroke regulation of rail-holder pneumatic cylinder. Snap-on assembly on 8 mm diameter spindles.

BOX QUANTITY: 96 pieces.

ON REQUEST:

- Spacers: With special bores and sizes.
- Box quantity: According to your request.



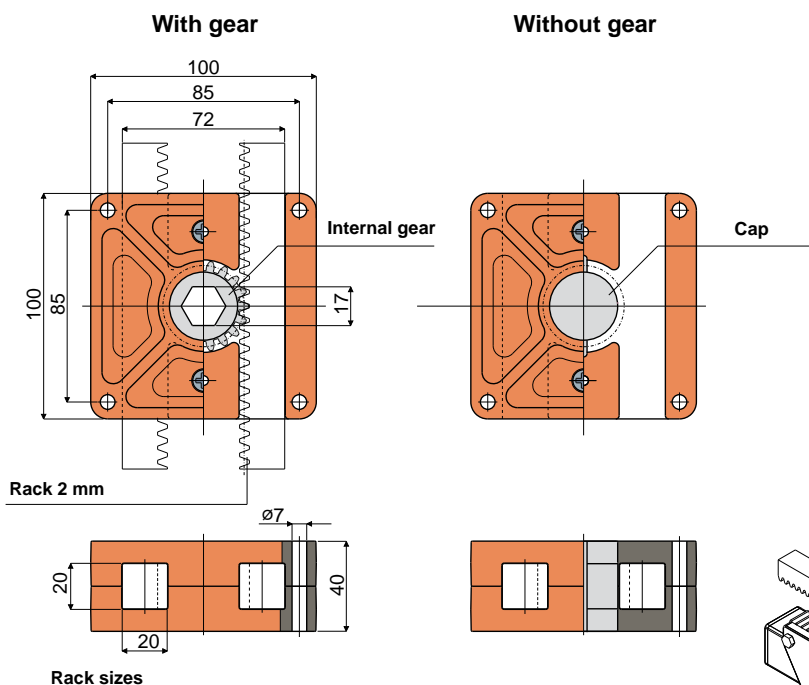
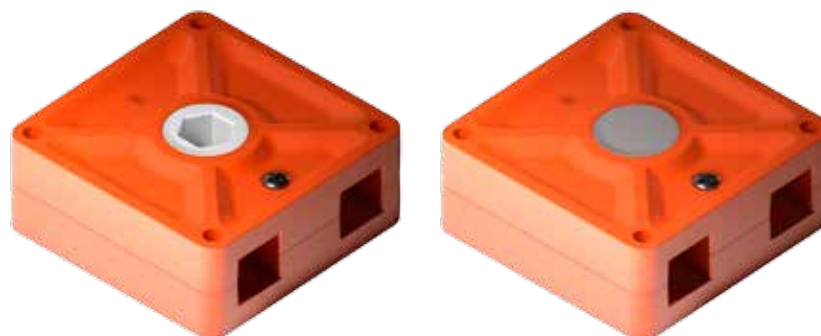
Example of application

Accessories for the cross adjustment of the side guides

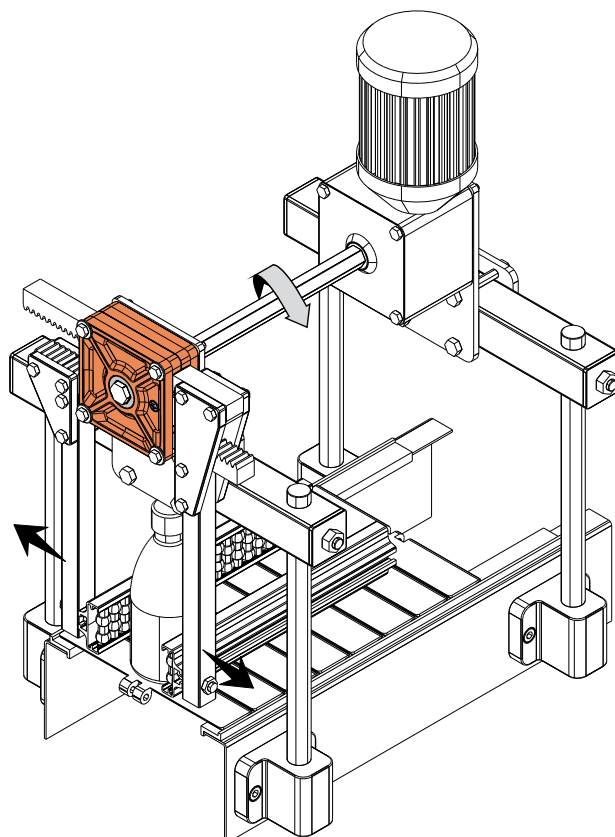
Reducer for Racks

(for the cross adjustment of the side guides)

Part. **299**



Example of application



Internal gear made of acetal	Internal gear made of brass	Without gear
Code	Code	Code
299 / 82681	299 / 83378	299 / 82680

MATERIALS: External body of reducer is made of reinforced polyamide orange colour; self-threading screws are made of stainless steel AISI 304. Available: without internal gear; with internal gear made of acetal, white colour; with internal gear made of brass.

FEATURES: To be used for the cross adjustment of the side guides while changing the size of the conveyed product.

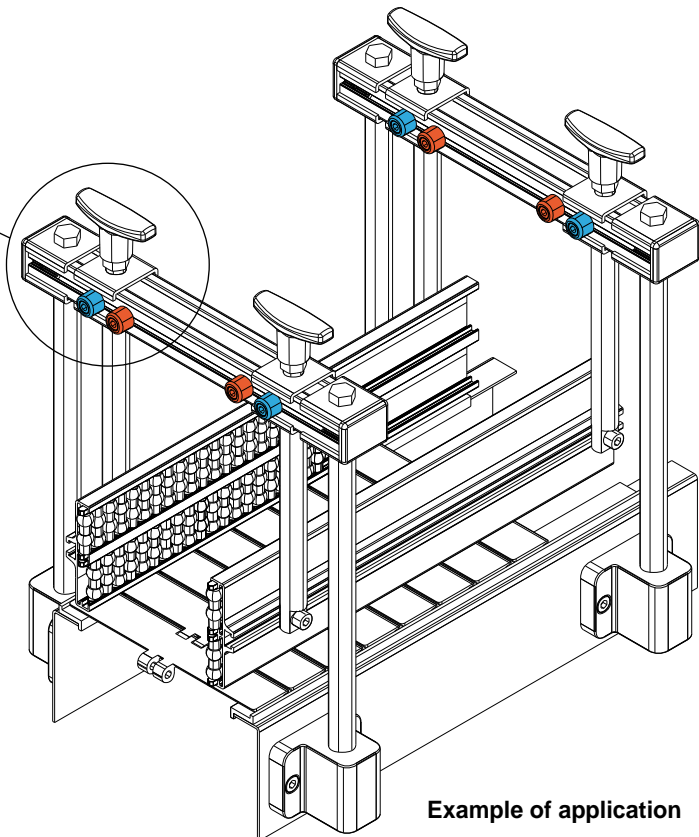
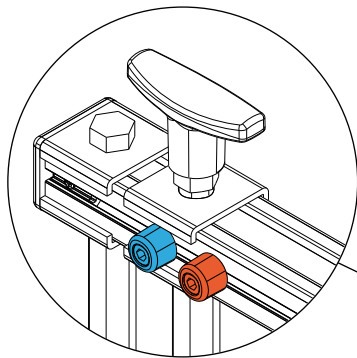
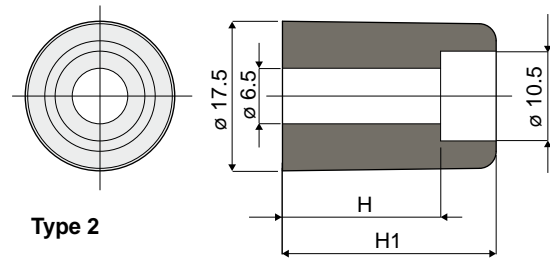
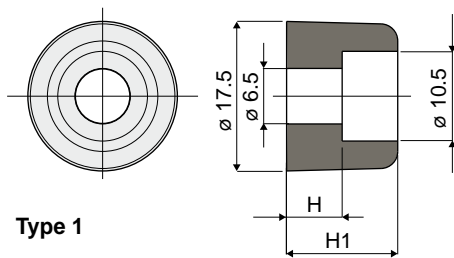
BOX QUANTITY: 24 pieces.

ON REQUEST:

- Reducers: In different colours.
- Box quantity: According to your request.

Accessories for the cross adjustment of the side guides

Part. 331 Reference peg for size changing



Example of application

Colour	H (mm)	H1 (mm)	Type 1 Code
Black RAL 9005			331 / 83090
White RAL 9001			331 / 83091
Red RAL 3000			331 / 83092
Yellow RAL 1021			331 / 83093
Blue RAL 5015			331 / 83094
Green RAL 6029	6,5	13	331 / 83095
Mustard RAL 1027			331 / 83096
Orange RAL 2004			331 / 83097
Grey RAL 7035			331 / 83098
Pink RAL 3015			331 / 83099
Light blue RAL 6027			331 / 83100
Brown RAL 8001			331 / 83101

Colour	H (mm)	H1 (mm)	Type 2 Code
White RAL 9001			331 / 84479
Red RAL 3000			331 / 84480
Yellow RAL 1021	18,5	25	331 / 84483
Blue RAL 5015			331 / 84482
Green RAL 6029			331 / 84481

MATERIALS: Peg in reinforced polypropylene.

FEATURES: To be used as a reference on the transport guides for size changing.

BOX QUANTITY: 96 pieces.

ON REQUEST:

- Pegs: Can be produced in other colours.
- Box quantity: According to your request.

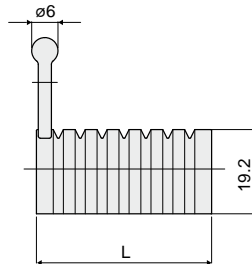
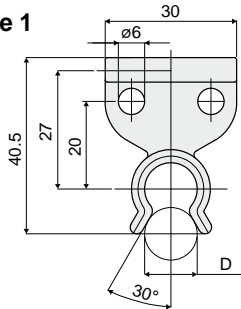
Accessories for the cross adjustment of the side guides

Spacer for guide rail pin

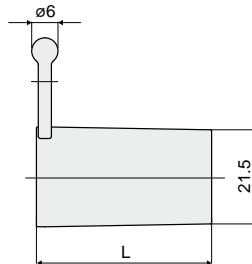
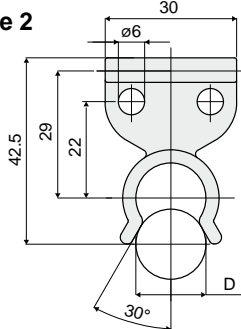
Part. **352**



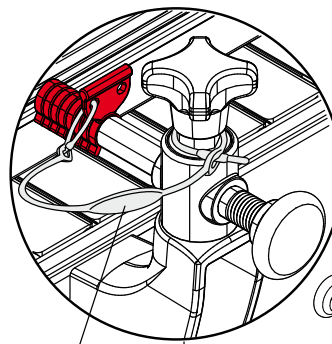
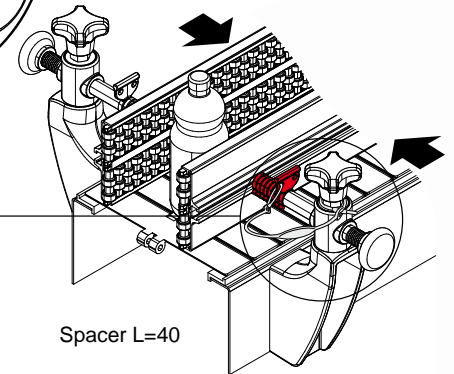
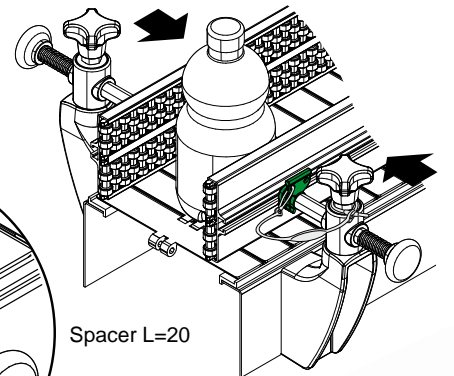
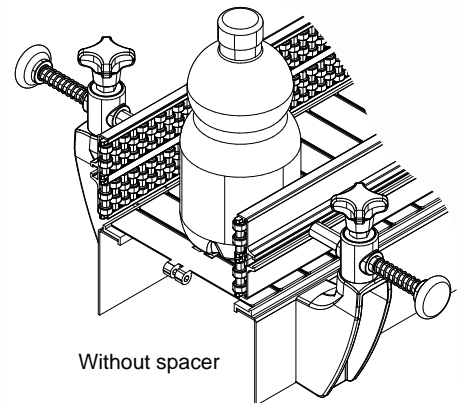
Type 1



Type 2



Example of applications



D (mm)	L (mm)	Colour	Type 1 Code
5		White RAL 9001	352 / 83419
10		Red RAL 3000	352 / 83420
15		Black RAL 9005	352 / 83421
20		Green RAL 6029	352 / 83422
25		Yellow RAL 1021	352 / 83423
30		Orange RAL 2004	352 / 83424
35		Blue RAL 5015	352 / 83425
12		White RAL 9001	352 / 83411
		Red RAL 3000	352 / 83412
		Black RAL 9005	352 / 83413
		Green RAL 6029	352 / 83414
40		Yellow RAL 1021	352 / 83415
		Orange RAL 2004	352 / 83416
		Blue RAL 5015	352 / 83417
		Grey RAL 7035	352 / 83418

D (mm)	L (mm)	Colour	Type 2 Code
		White RAL 9001	352 / 84444
		Red RAL 3000	352 / 84445
16	40	Green RAL 6029	352 / 84446
		Yellow RAL 1021	352 / 85569
		Blue RAL 5015	352 / 85570

MATERIALS: Spacer in polypropylene.

FEATURES: To be used to adjust the distance between the side guides. Snap-on assembly. Available in different lengths and colours.

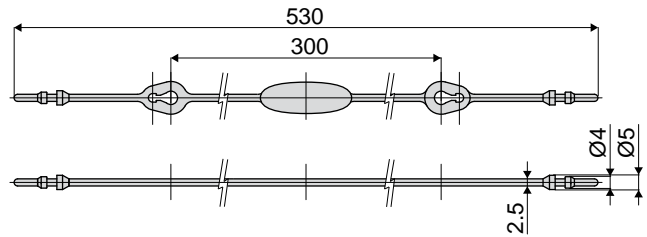
BOX QUANTITY: 24 pieces.

ON REQUEST:

- Spacers: Other colours.
- Box quantity: According to your request.

Accessories for the cross adjustment of the side guides

Part. 462 Safety string



Code
462 / 85548

MATERIALS: String made of black polyamide.

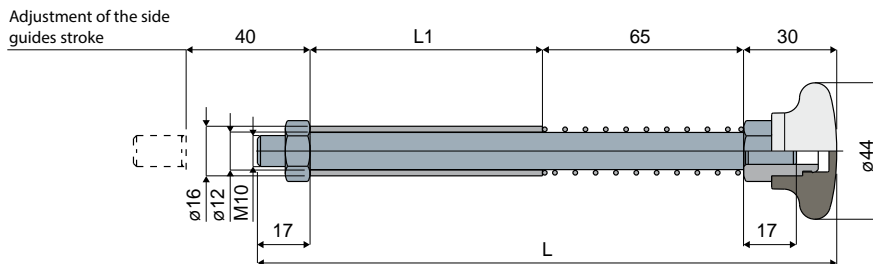
FEATURES: To be used to tie Part.352 together with Part.374.

BOX QUANTITY: 24 pieces.

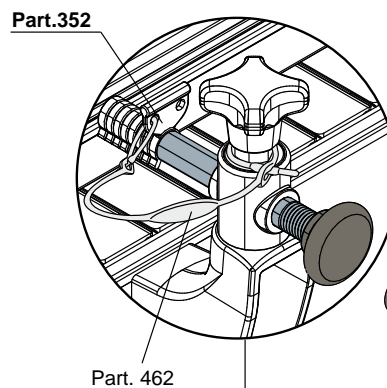
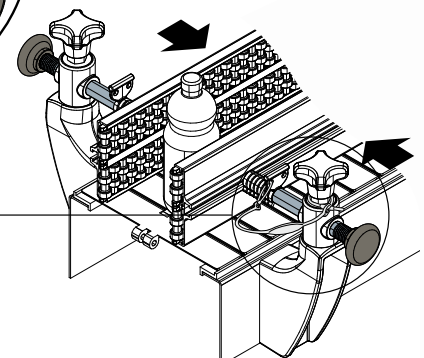
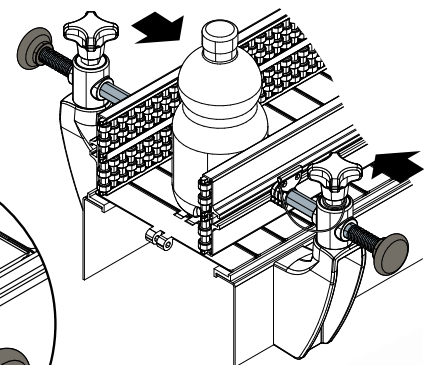
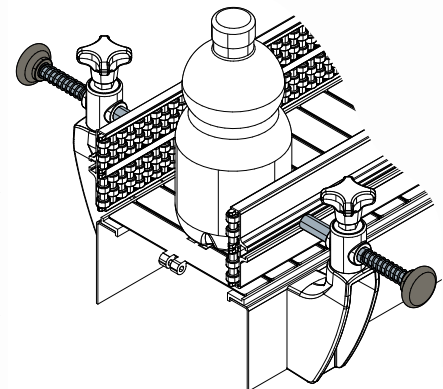
ON REQUEST:

- Strings: In different colours.
- Box quantity: According to your request.

Part. 374 Guide rail pin (for the quick adjustment of the side guides)



Example of application



L	L1	Code
187	75	374 / 83860
237	125	374 / 85977

MATERIALS: Handle made of reinforced polyamide, black colour; pin, nut, spring and dinghy in stainless steel AISI 304; bushing in nickel plated brass.

FEATURES: To be used together with our Part.352, for the quick adjustment of the side guides.

BOX QUANTITY: 24 pieces.

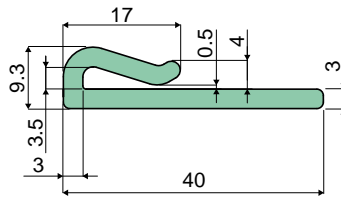
ON REQUEST:

- Pins: In different lengths; with M8 thread instead of M10.
- Box quantity: According to your request.

Chain guides and accessories

Extruded profile supplied in coils of 50 / 60 Mt. for plates from 2 to 4 mm.

Part. **361**

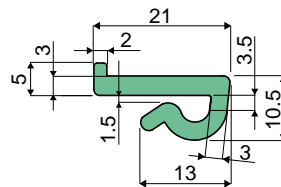


Code
361 / 83717

MATERIALS: Extruded UHMWPE green colour.
BOX QUANTITY: This item is sold in Mt. - Min. 50 Mt.
ON REQUEST:
• Guide profiles: Different colours and lengths.

Extruded profile supplied in coils of 60 Mt. for plates from 2 to 4 mm.

Part. **362**

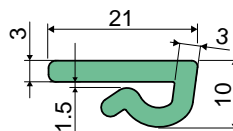


Code
362 / 83718

MATERIALS: Extruded UHMWPE green colour.
BOX QUANTITY: This item is sold in Mt. - Min. 60 Mt.
ON REQUEST:
• Guide profiles: Different colours and lengths.

Extruded profile supplied in coils of 60 Mt. for plates from 2 to 4 mm.

Part. **363**

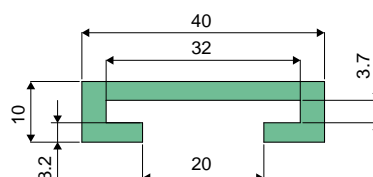


Code
363 / 83719

MATERIALS: Extruded UHMWPE green colour.
BOX QUANTITY: This item is sold in Mt. - Min. 60 Mt.
ON REQUEST:
• Guide profiles: Different colours and lengths.

Extruded chain guide profiles for flat 30x3 mm. supplied in 3 Mt. lengths

Part. **364**

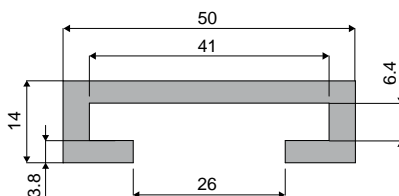


Code
364 / 83720

MATERIALS: Extruded UHMWPE green colour.
BOX QUANTITY: This item is sold in Mt. - Min. 6 Mt. (2 lengths).
ON REQUEST:
• Guide profiles: Different colours and lengths.

Chain guides and accessories

Part. 365 Extruded chain guide profiles for flat 40x6 mm. supplied in 3 / 6 Mt. lengths



Code	Length
365 / 84087	3 Mt.
365 / 83721	6 Mt.

MATERIALS: Extruded UHMWPE black colour.

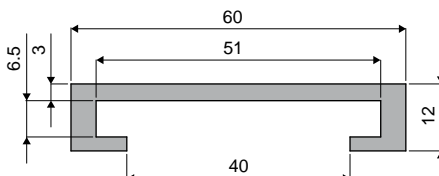
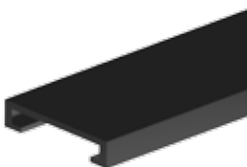
BOX QUANTITY:

- 3 Mt. lengths version: This item is sold in Mt. - Min. 6 Mt. (2 lengths);
- 6 Mt. lengths version: This item is sold in Mt. - Min. 12 Mt. (2 lengths).

ON REQUEST:

- Guide profiles: Different colours and lengths.

Part. 366 Extruded chain guide profiles for flat 50x6 mm. supplied in 3 / 6 Mt. lengths



Code	Length
366 / 84239	3 Mt.
366 / 83722	6 Mt.

MATERIALS: Extruded UHMWPE black colour.

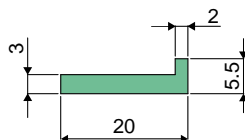
BOX QUANTITY:

- 3 Mt. lengths version: This item is sold in Mt. - Min. 6 Mt. (2 lengths);
- 6 Mt. lengths version: This item is sold in Mt. - Min. 12 Mt. (2 lengths).

ON REQUEST:

- Guide profiles: Different colours and lengths.

Part. 367 Extruded chain guide profiles supplied in coils of 60 Mt.



Code
367 / 83723

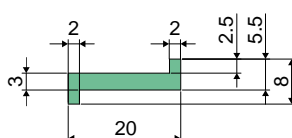
MATERIALS: Extruded UHMWPE green colour.

BOX QUANTITY: This item is sold in Mt. - Min. 60 Mt.

ON REQUEST:

- Guide profiles: Different colours and lengths.

Part. 368 Extruded chain guide profiles supplied in coils of 60 Mt.



Code
368 / 83724

MATERIALS: Extruded UHMWPE green colour.

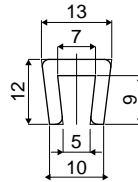
BOX QUANTITY: This item is sold in Mt. - Min. 60 Mt.

ON REQUEST:

- Guide profiles: Different colours and lengths.

Product guides and accessories

Extruded product guide rails supplied in coils of 50 Mt. for plates from 6 to 7 mm. Part. **369**

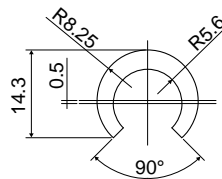


Code
369 / 83725

MATERIALS: Extruded UHMWPE white colour.
BOX QUANTITY: This item is sold in Mt. - Min. 50 Mt.
ON REQUEST:

- Guide profiles: Different colours and lengths.

Extruded product guide rails in coils of 60 Mt. Part. **370**

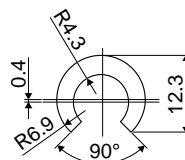


Code
370 / 83726

MATERIALS: Extruded HMWPE white colour.
BOX QUANTITY: This item is sold in Mt. - Min. 60 Mt.
FEATURES: To be used with 12 mm diameter rods.
ON REQUEST:

- Guide rails: Different colours and lengths.

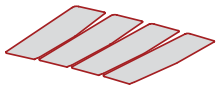
Extruded product guide rails in coils of 60 Mt. Part. **371**



Code
371 / 83727

MATERIALS: Extruded HMWPE white colour.
BOX QUANTITY: This item is sold in Mt. - Min. 60 Mt.
FEATURES: To be used with 10 mm diameter rods.
ON REQUEST:

- Guide rails: Different colours and lengths.








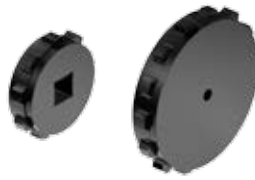



Special products



Part	Pag.
700	159
702	158
704	159
705	162
706	162
707	162
710	160
711	160
713	161
Corner tracks	163
Straight tracks	163

The products shown in this part are available only on request

Chains and accessories

 <p>Part. 702 pag. 158</p>	 <p>Part. 700 pag. 159</p>	 <p>Part. 704 pag. 159</p>	 <p>Part. 710 pag. 160</p>	 <p>Part. 711 pag. 160</p>
 <p>Part. 713 pag. 161</p>	 <p>Part. 705 pag. 162</p>	 <p>Part. 706 pag. 162</p>	 <p>Part. 707 pag. 162</p>	

Corner and straight tracks

 <p>Corner tracks pag. 163</p>	 <p>Straight tracks pag. 163</p>
---	---

Chains and accessories

Part. **702** **Top plate**
(for roller chains)

NEW



Code
702 / 86231

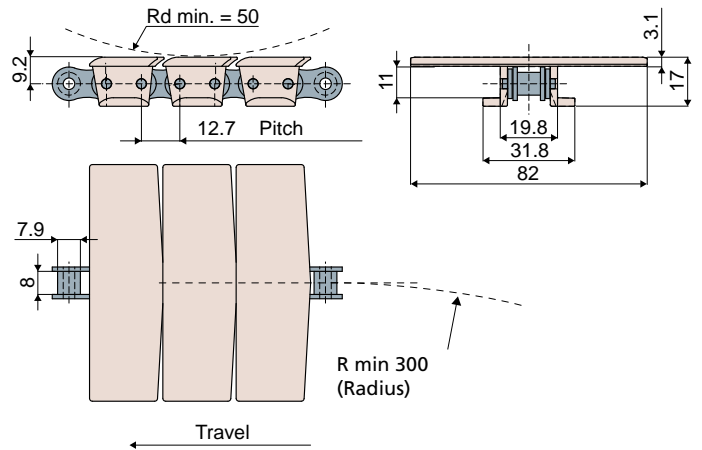
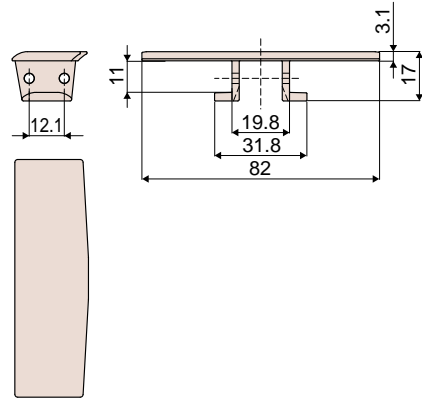
MATERIALS: Top plate made of brown colour acetal.

FEATURES: Mounting with roller chains type ASA 40 Sidebow.

BOX QUANTITY: 24 pieces.

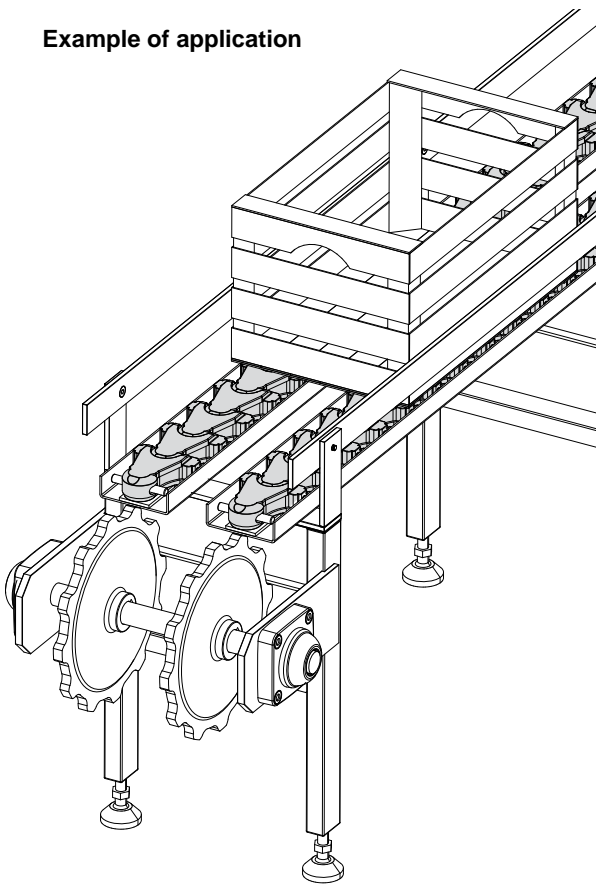
ON REQUEST:

- Top plates: In polypropylene, different colours.
- Chain: Type Asa 40 Sidebow.
- Box quantity: According to your request.



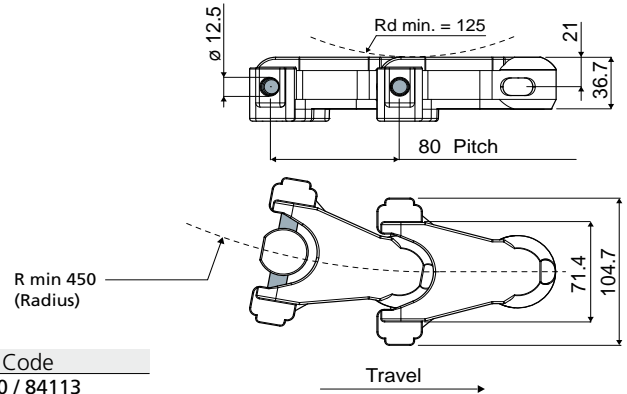
Chains and accessories

Example of application



Cardanic chain (sideflexing for important loads; pitch 80 mm)

Part. **700**



Code
700 / 84113

MATERIALS: Chain made of natural acetal; notch made of polyamide; pin made of stainless steel AISI 430.

FEATURES: To be used in the conveyor systems; for important loads (breaking load: 19600 N).

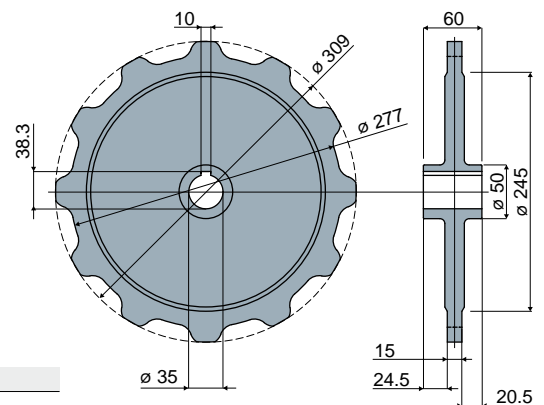
BOX QUANTITY: 3,040 meters.

ON REQUEST:

- Chains: In different colours.
- Box quantity: According to your request.

Sprocket 12 teeth (for cardanic chain Part. 700)

Part. **704**



Code
704 / 84207

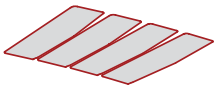
MATERIALS: Sprockets in zinc plated steel.

FEATURES: To be used with chain Part.700.

BOX QUANTITY: 2 pieces.

ON REQUEST:

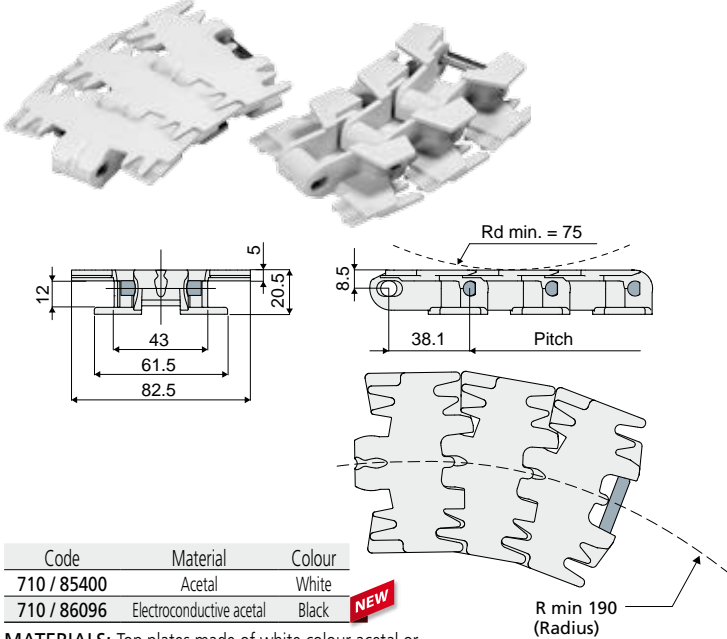
- Sprockets: In different materials.
- Box quantity: According to your request.



Chains and accessories

Part. 710

Sideflex chain
(879 TAB Safety Finger)



Code	Material	Colour
710 / 85400	Acetal	White
710 / 86096	Electroconductive acetal	Black

MATERIALS: Top plates made of white colour acetal or black colour electroconductive acetal; pins made of stainless steel AISI 304.

FEATURES: To be used with wheels:

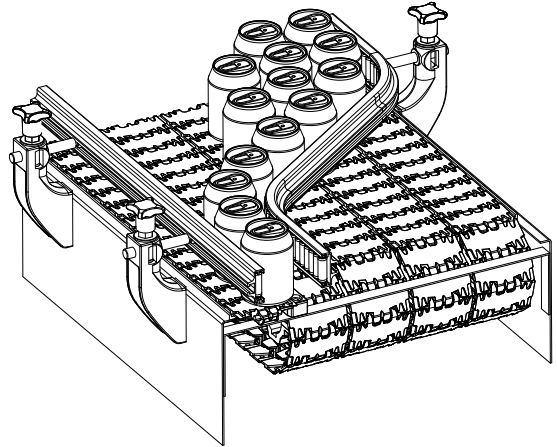
Part.310, 457, 456, 455, 454, 458, 459. Max. working load: 2100 N.

BOX QUANTITY: 3,05 Mt.

ON REQUEST:

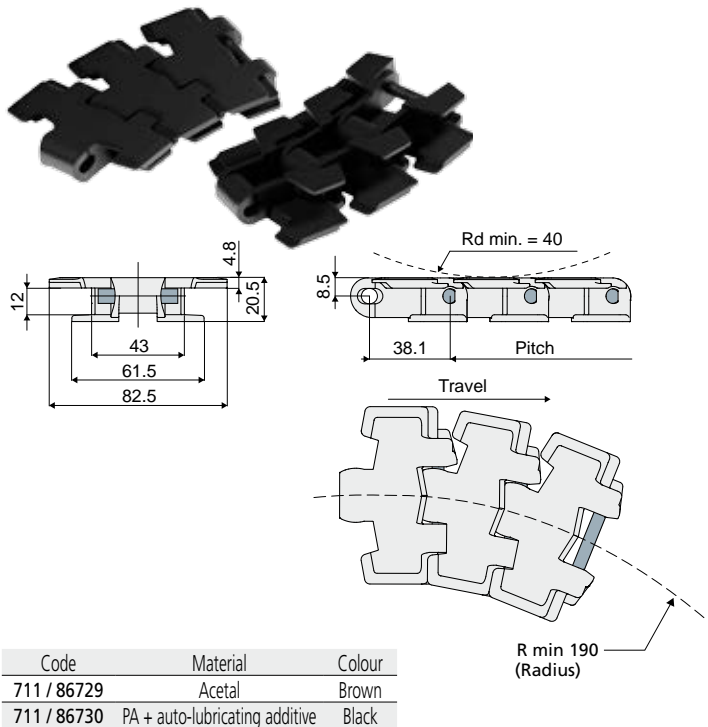
- Top plates: In different materials; other colours.
- Box quantity: According to your request.

Example of application



Part. 711

Sideflex chain
(879 TAB BO)



Code	Material	Colour
711 / 86729	Acetal	Brown
711 / 86730	PA + auto-lubricating additive	Black

MATERIALS: Top plates in brown colour acetal or in black colour polyamide with auto-lubricating additive; pins in stainless steel AISI 304.

FEATURES: To be used with wheels:

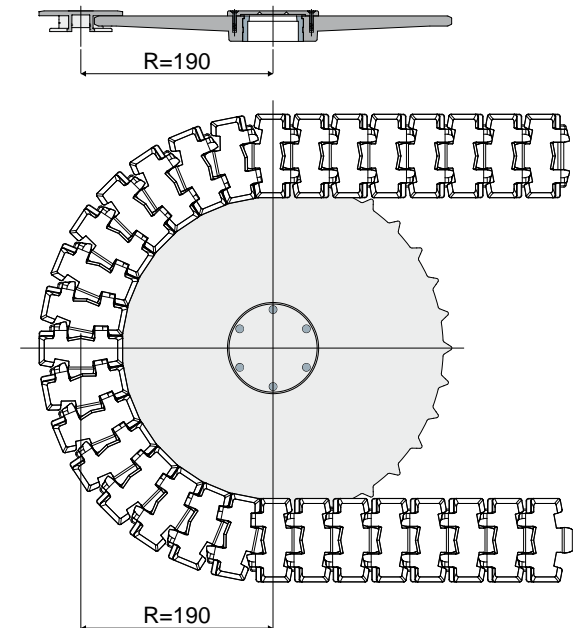
Part.310, 457, 456, 455, 454, 458, 459. Max. working load: 2100 N.

BOX QUANTITY: 3,05 Mt.

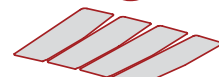
ON REQUEST:

- Top plates: In different materials; other colours.
- Box quantity: According to your request.

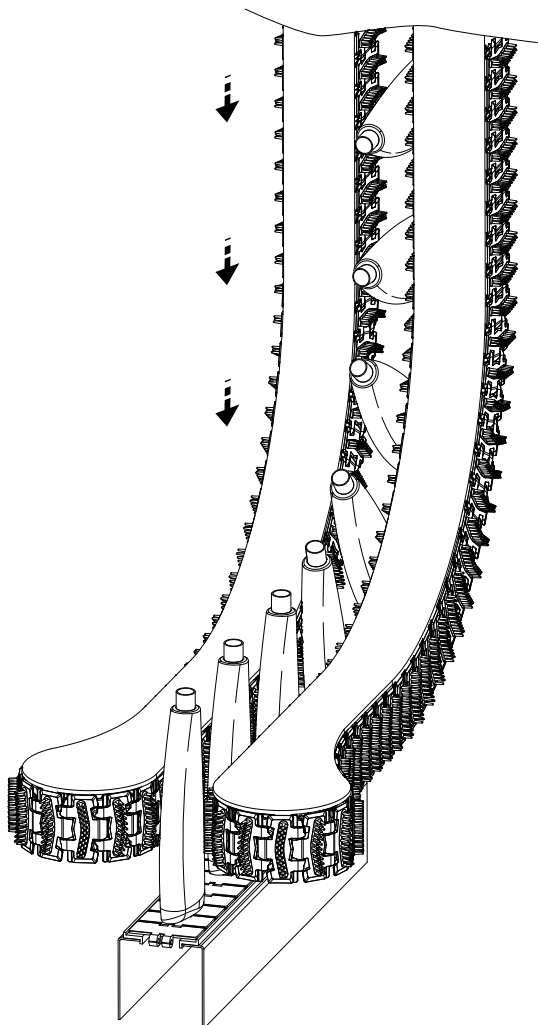
Example of application



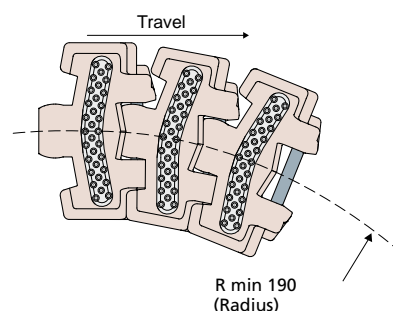
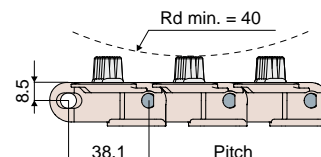
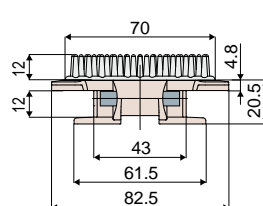
Chains and accessories



Example of application



Sideflex chain with rubber top (879 TAB BO)



Code
713 / 87153

MATERIALS: Top plates in brown colour acetal; grey colour thermoplastic rubber; pins in stainless steel AISI 304.

FEATURES: To be used with wheels:

Part.310, 457, 456, 455, 454, 458, 459; ideal for elevators. Max. working load: 2100 N.

BOX QUANTITY: 3,05 Mt.

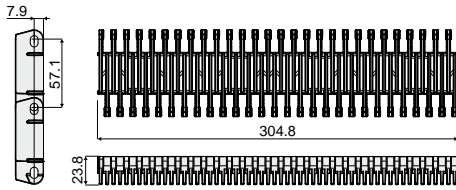
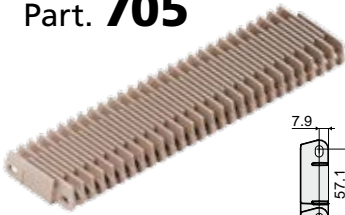
ON REQUEST:

- Top plates: In different materials; other colours.
- Box quantity: According to your request.

Chains and accessories

Part. 705

Loose link for belt



Code
705 / 84208

MATERIALS: Loose links in light brown polypropylene.

FEATURES:

- Use: Perfect for use in the food industry, it guarantees a uniform conveyor surface.
- Max working load: 29200 N/m (1 mt. belt at +20°C).
- Working temperature: from +5°C to +105°C.
- Open surface: 34%
- Assembly: with a pin diameter 6 mm (not supplied).

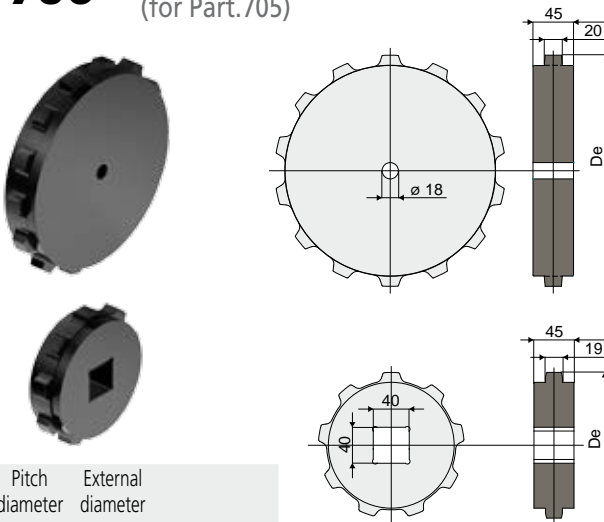
BOX QUANTITY: 24 pieces.

ON REQUEST:

- Loose links: In acetal.
- Belts: Supplied assembled in different sizes.
- Transfer combs: On request.
- Box quantity: According to your request.

Part. 706

Sprocket / Idler wheel (for Part.705)



N. teeth	Pitch diameter	External diameter	Code
	Dp (mm)	De (mm)	
14	256,82	256,5	706 / 84209
9	167,08	164,1	706 / 85850

MATERIALS: Sprockets in black polyamide.

FEATURES: To be used with modular belts Part.705.

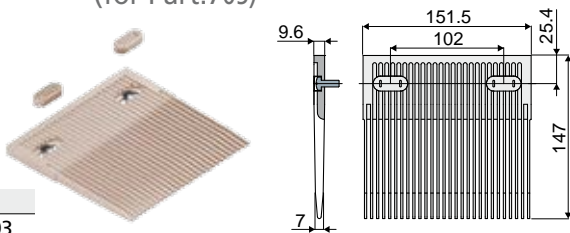
BOX QUANTITY: 2 pieces.

ON REQUEST:

- Box quantity: According to your request.

Part. 707

Transfer comb (for Part.705)



Code
707 / 88703

MATERIALS: Comb and screw caps in light brown polypropylene, M6 screws in stainless steel.

FEATURES: To be used with modular belts Part. 705.

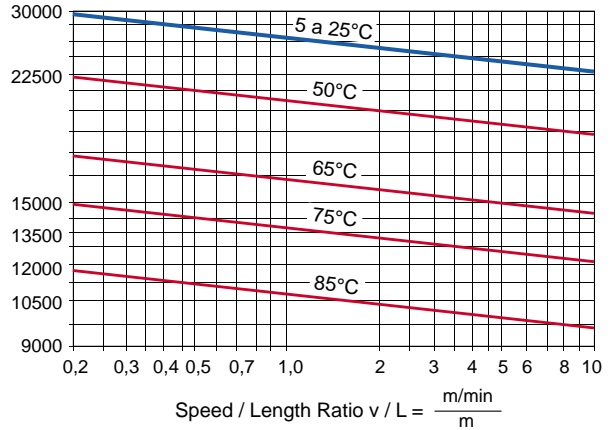
The type of mounting depends on the operating temperatures.

BOX QUANTITY: 8 pieces.

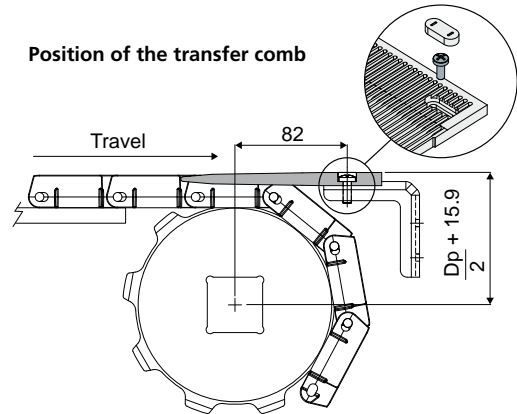
ON REQUEST:

- Box quantity: According to your request.

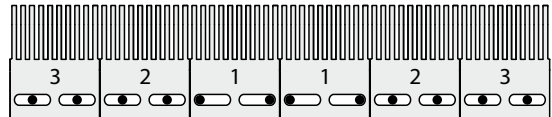
Max working load (N / m)



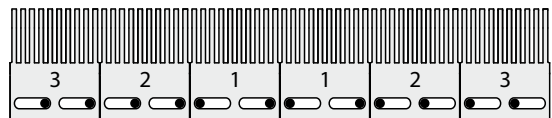
Position of the transfer comb



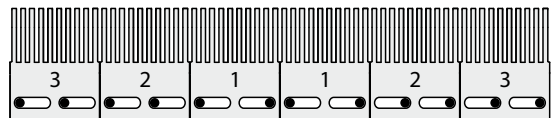
Assembly at room temperature (20° C)



Low temperature assembly

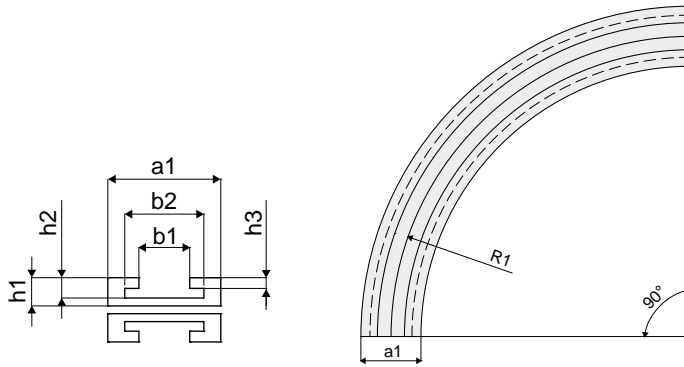


High temperature assembly



Center of the chain

Corner and straight tracks



Corner tracks



Chain type	Chain width	R1 (mm)	a1 (mm)	b1 (mm)	b2 (mm)	h1 (mm)	h2 (mm)	h3 (mm)	Track type	Material	Cod. Tecom
879TAB-K325	82,5	500	100	45	70	25	18	9,5	Carry Return	PE 1000 PE 500	83445 83446
880TAB-K325											
881TAB-K325											
8811TAB-K325											
879TAB-K450	114,3	610	125	45	70	25	18	9,5	Carry Return	PE 1000 PE 500	83449 83450
880TAB-K450											
880TAB-K454											
881TAB-K450											
8811TAB-K450											
881TAB-K750	190,5	610	200	45	70	25	18	9,5	Carry Return	PE 1000 PE 500	83451 83452
8811TAB-K750											

MATERIALS: Upper parts in PE 1000, black colour and bottom parts in PE 500 black colour.

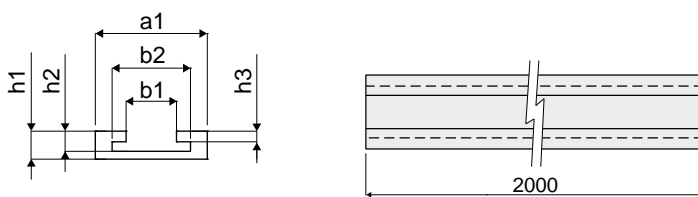
FEATURES: To be used to drive the chain in the corner sections.

BOX QUANTITY: 2 pieces.

ON REQUEST:

- **Corner tracks:** Magnetic, with different molecular weight; customised sizes.
- **Box quantity:** According to your request.

Straight tracks



Chain type	Chain width	a1 (mm)	b1 (mm)	b2 (mm)	h1 (mm)	h2 (mm)	h3 (mm)	Material	Cod. Tecom
879TAB-K325	82,5	100	45	70	25	18	9,5	PE 500	83652
879BO-K325									
880TAB-K325									
881TAB-K325									
8811TAB-K325									
879TAB-K450	114,3	125	45	70	25	18	9,5	PE 500	83653
879BO-K450									
880TAB-K450									
881TAB-K450									
8811TAB-K450									

MATERIALS: Straight tracks in PE 500 black colour.

FEATURES: To be used to drive the chain in the straight sections.

BOX QUANTITY: 2 pieces.

ON REQUEST:


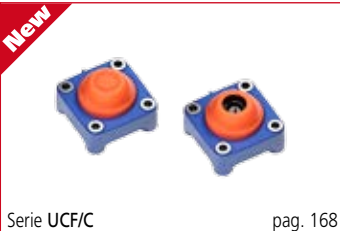



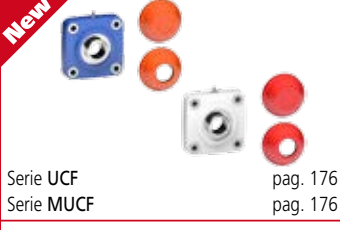
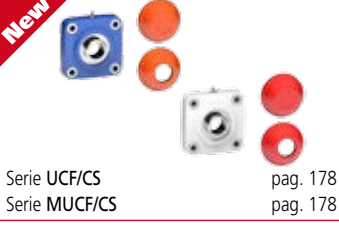



- **Straight tracks:** With different molecular weight, customised sizes.
- **Box quantity:** According to your request.








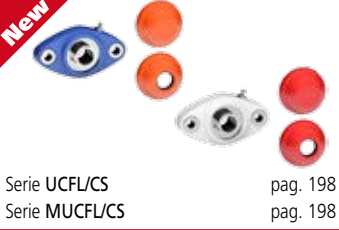


Self-aligning bearing supports

Serie	Pag.	Serie	Pag.	Serie	Pag.	Serie	Pag.	Serie	Pag.	Serie	Pag.
F.....	184	MUCFL/C	186	UCFB/CX.....	210	UCF/CX	170	UCFL/CS	198	UCPA/CX	226
FL.....	204	MUCFL/CS.....	198	UCF/C.....	166	UCF/CX	172	UCFL/CX	190	UCP/C	214
MUCF	176	MUCFL/CX.....	190	UCF/C.....	168	UCF/CX	174	UCFL/CX	192	UCP/C	216
MUCF/C	166	MUCFL/CX.....	192	UCFC.....	240	UCF/CXA.....	182	UCFL/CX	194	UCP/CX	218
MUCF/CS	178	UCF.....	176	UCF/CA.....	180	UCFL.....	196	UCFL/CXA.....	202	UCP/CX	220
MUCF/CX.....	170	UCFB.....	212	UCFC/C	236	UCFL/C.....	186	UCP.....	222	UCT.....	234
MUCF/CX.....	172	UCFB/C	206	UCFC/CX.....	238	UCFL/C.....	188	UCPA	228	UCT/C	230
MUCFL.....	196	UCFB/CX.....	208	UCF/CS.....	178	UCFL/CA	200	UCPA/C.....	224	UCT/CX.....	232

Square flanged bearing supports

 <p>Serie UCF/C pag. 166 Serie MUCF/C pag. 166</p>	 <p>Serie UCF/C pag. 168</p>	 <p>Serie UCF/CX pag. 170 Serie MUCF/CX pag. 170</p>	 <p>Serie UCF/CX pag. 172 Serie MUCF/CX pag. 172</p>
 <p>Serie UCF/CX pag. 174</p>	 <p>Serie UCF pag. 176 Serie MUCF pag. 176</p>	 <p>Serie UCF/CS pag. 178 Serie MUCF/CS pag. 178</p>	 <p>Serie UCF/CA pag. 180</p>
 <p>Serie UCF/CXA pag. 182</p>	 <p>Serie F pag. 184</p>		

Oval flanged bearing supports

 <p>Serie UCFL/C pag. 186 Serie MUCFL/C pag. 186</p>	 <p>Serie UCFL/C pag. 188</p>	 <p>Serie UCFL/CX pag. 190 Serie MUCFL/CX pag. 190</p>	 <p>Serie UCFL/CX pag. 192 Serie MUCFL/CX pag. 192</p>
 <p>Serie UCFL/CX pag. 194</p>	 <p>Serie UCFL pag. 196 Serie MUCFL pag. 196</p>	 <p>Serie UCFL/CS pag. 198 Serie MUCFL/CS pag. 198</p>	 <p>Serie UCFL/CA pag. 200</p>
 <p>Serie FL pag. 204</p>	 <p>Serie FL pag. 204</p>		



Side flanged bearing supports

New

Serie UCFB/C pag. 206

New

Serie UCFB/CX pag. 208

New

Serie UCFB/CX pag. 210

New

Serie UCFB pag. 212

Pillow Blocks

New

Serie UCP/C pag. 214

New

Serie UCP/C pag. 216

New

Serie UCP/CX pag. 218

New

Serie UCP/CX pag. 220

New

Serie UCP pag. 222

Compact Pillow Blocks

New

Serie UCPA/C pag. 224

New

Serie UCPA/CX pag. 226

New

Serie UCPA pag. 228

Take-up bearing supports

New

Serie UCT/C pag. 230

New

Serie UCT/CX pag. 232

New

Serie UCT pag. 234

Round flanged bearing supports

New

Serie UCFC/C pag. 236

New

Serie UCFC/CX pag. 238

New

Serie UCFC pag. 240



Square flanged bearing supports


Serie **UCF/C**
Serie **MUCF/C**




 On request covers in polypropylene blue Ral 5015 colour.

 On request covers in polypropylene orange Ral 2004 colour.

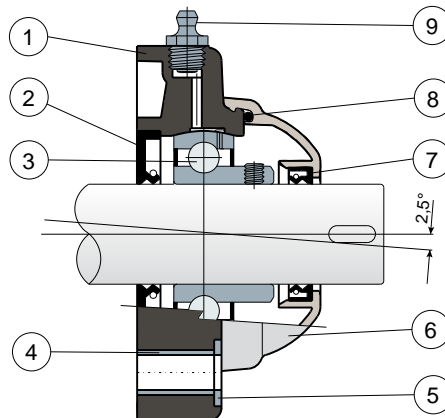
 On request covers in polypropylene red Ral 3000 colour.

 Self-aligning bearings with Solid body: completely closed surface to guarantee the max hygiene.

 Long Life bearings: life long lubrication.

NEW

Full protection of bearing



- 1) Housing made out of black or white colour polyamide reinforced with glass fibers.
- 2) Back gasket made out of NBR rubber for turning shaft seal.
- 3) Chrome steel or stainless steel bearing AISI 440.
- 4) Spacer for fixing reinforcement made out of stainless steel AISI 304.
- 5) UNI 6592 support washer made out of stainless steel AISI 304.
- 6) Protection cover made out of polypropylene (grey colour Ral 7042).
- 7) Front gasket made out of NBR rubber for turning shaft seal.
- 8) OR gasket made out of NBR rubber.
- 9) Greaser, straight type with 1/8 gas thread, made out of nickel-plated brass (absent in the versions with Long Life bearing).

N.B.: In the Long Life version, the greaser is absent and the lubrication channel is protected by a rubber cap.

Support dimensions respect ISO 3228 set of rules
Maximum shaft alignment error 2,5°
For further information please contact our technical office or sales department.

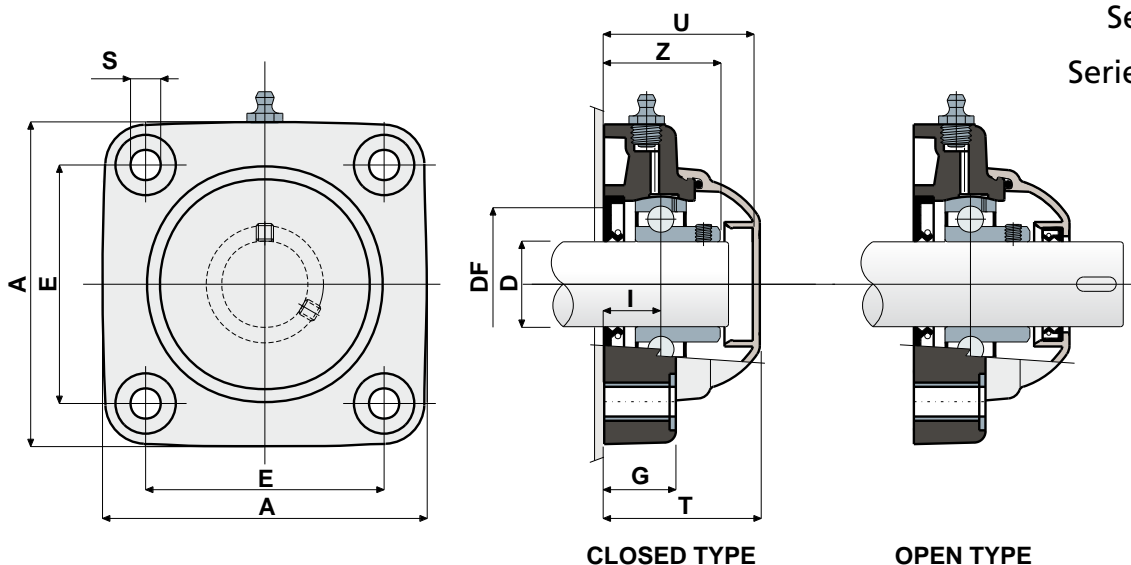
MATERIALS: Housing is made out of PA + glass fiber in black or white colours; chrome steel or stainless steel bearing; greaser made out of nickel plated brass; reinforcement bushings and washers made out of stainless steel AISI 304; gaskets made out of NBR rubber; cover made out of grey RAL 7042 colour polypropylene.
FEATURES: Full protection of bearing against external agents. Assembly with not shouldered shafts. Maximum shaft alignment error 2.5°.
BOX QUANTITY: 8 pieces.
ON REQUEST: Versions with body in polypropylene + glass fiber and antibacterial additive; supports with eccentric collar shaft locking with chrome steel bearing; protection covers in different colours and with customized brand; box quantity according to your request; Viton gaskets.



Square flanged bearing supports

Technical data

Serie **UCF/C**
Serie **MUCF/C**



CHROME STEEL BEARING																						
D	SERIE	CODES								DIMENSIONS (mm)										Bearing load (N)		Bearing support load (N)
		Standard bearing				Long Life bearing				E	A	S	G	I	Z	U	T	DF		C	CO	
		Black		White		Black		White										Max	Min			
		Closed	Open	Closed	Open	Closed	Open	Closed	Open													
20	UCF 204 C	80248	80249	84580	84581	82405	87055	89345	89346	63,5	90	10,5	19	15,5	33,5	44	46,5	45	40	12800	6600	16500
25	UCF 205 C	80057	80060	84582	84583	80304	83613	89347	89348	70	99,5	10,5	22	17,4	37	47	49,5	50	45	14000	7800	17000
30	UCF 206 C	80009	80005	84584	84585	80724	83611	89349	89350	83	113	10,5	26	20,7	41	52,5	55	60	50	19500	11300	17500
30	MUCF 206 C	84038	84039	84586	84587	87114	87115	89351	89352	83	113	10,5	26	20,7	41	65	68	60	50	19500	11300	17500
35	UCF 207 C	80058	80061	84588	84589	82991	82993	89353	89354	92	122	10,5	26	20	45	57	59	70	55	25500	15300	18000
35	MUCF 207 C	82549	82392	84590	84591	87116	87117	89355	89356	83	113	10,5	26	20	45	65	68	70	55	25500	15300	18000
40	UCF 208 C	80250	80251	84592	84593	87458	87457	89357	89358	102	133	10,5	26	19,5	48,5	65	68	78	65	32500	19800	18000
40	MUCF 208 C	80697	80699	84594	84595	87572	87573	89359	89360	83	113	10,5	26	19,5	48,5	65	68	78	65	32500	19800	18000

STAINLESS STEEL BEARING AISI 440																						
D	SERIE	CODES								DIMENSIONS (mm)										Bearing load (N)		Bearing support load (N)
		Standard bearing				Long Life bearing				E	A	S	G	I	Z	U	T	DF		C	CO	
		Black		White		Black		White										Max	Min			
		Closed	Open	Closed	Open	Closed	Open	Closed	Open													
20	UCF 204 C	80400	80448	84596	84597	86796	89361	89369	89370	63,5	90	10,5	19	15,5	33,5	44	46,5	45	40	8300	6600	16500
25	UCF 205 C	80445	80449	84598	84599	89362	86097	89371	89372	70	99,5	10,5	22	17,4	37	47	49,5	50	45	9150	7800	17000
30	UCF 206 C	80378	80377	84600	84601	85524	85523	89373	89374	83	113	10,5	26	20,7	41	52,5	55	60	50	12500	11200	17500
30	MUCF 206 C	84040	84041	84602	84603	89363	89364	89375	89376	83	113	10,5	26	20,7	41	65	68	60	50	12500	11200	17500
35	UCF 207 C	80446	80450	84604	84605	85529	85530	89377	89378	92	122	10,5	26	20	45	57	59	70	55	16600	15300	18000
35	MUCF 207 C	83467	83466	84606	84607	89365	89366	89379	89380	83	113	10,5	26	20	45	65	68	70	55	16600	15300	18000
40	UCF 208 C	80447	80451	84608	84609	86100	86102	89381	89382	102	133	10,5	26	19,5	48,5	65	68	78	65	20000	19000	18000
40	MUCF 208 C	81057	81058	84610	84611	89367	89368	89383	89384	83	113	10,5	26	19,5	48,5	65	68	78	65	20000	19000	18000

VERSIONS WITH MEASURES IN INCHES

CHROME STEEL BEARING																							
D	SERIE	CODES								DIMENSIONS (mm)										Bearing load (N)		Bearing support load (N)	
		Standard bearing				Long Life bearing				E	A	S	G	I	Z	U	T	DF		C	CO		
		Black		White		Black		White										Max	Min				
		Closed	Open	Closed	Open	Closed	Open	Closed	Open														
1"	25,4	UCF 205 C	84500	84490	84875	84876	89385	89386	89391	89392	70	99,5	10,5	22	17,4	37	47	49,5	50	45	14000	7800	17000
1 1/4"	31,75	UCF 206 C	84501	84491	84877	84878	89387	89388	89393	89394	83	113	10,5	26	20,7	41	52,5	55	60	50	19500	11300	17500
1 1/4"	31,75	MUCF 206 C	84502	84492	85180	85181	89389	89390	89395	89396	83	113	10,5	26	20,7	41	65	68	60	50	19500	11300	17500

Inch dimensions conform to the British Imperial system



Square flanged bearing supports (Solid)

Serie **UCF/C**



On request covers in polypropylene blue Ral 5015 colour.



On request covers in polypropylene grey Ral 7042 colour.



On request covers in polypropylene red Ral 3000 colour.



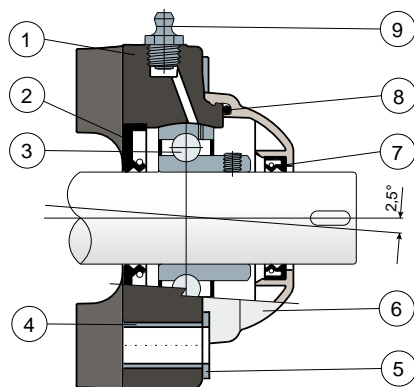
Self-aligning bearings with Solid body: completely closed surface to guarantee the max hygiene.



Long Life bearings: life long lubrication.



Full protection of bearing



- 1) Housing made out of blue Ral 5005 colour polyamide reinforced with glass fibers.
- 2) Back gasket made out of NBR rubber for turning shaft seal.
- 3) Chrome steel or stainless steel bearing AISI 440.
- 4) Spacer for fixing reinforcement made out of stainless steel AISI 304.
- 5) UNI 6592 support washer made out of stainless steel AISI 304.
- 6) Protection cover made out of polypropylene (orange Ral 2004 colour).
- 7) Front gasket made out of NBR rubber for turning shaft seal.
- 8) OR gasket made out of NBR rubber
- 9) Greaser, straight type with 1/8 gas thread, made out of stainless steel AISI 303 (absent in the versions with Long Life bearing).

N.B.: In the Long Life version, the greaser is absent and the lubrication channel is protected by a rubber cap.

Support dimensions respect ISO 3228 set of rules

Maximum shaft alignment error 2,5°

For further information please contact our technical office or sales department.

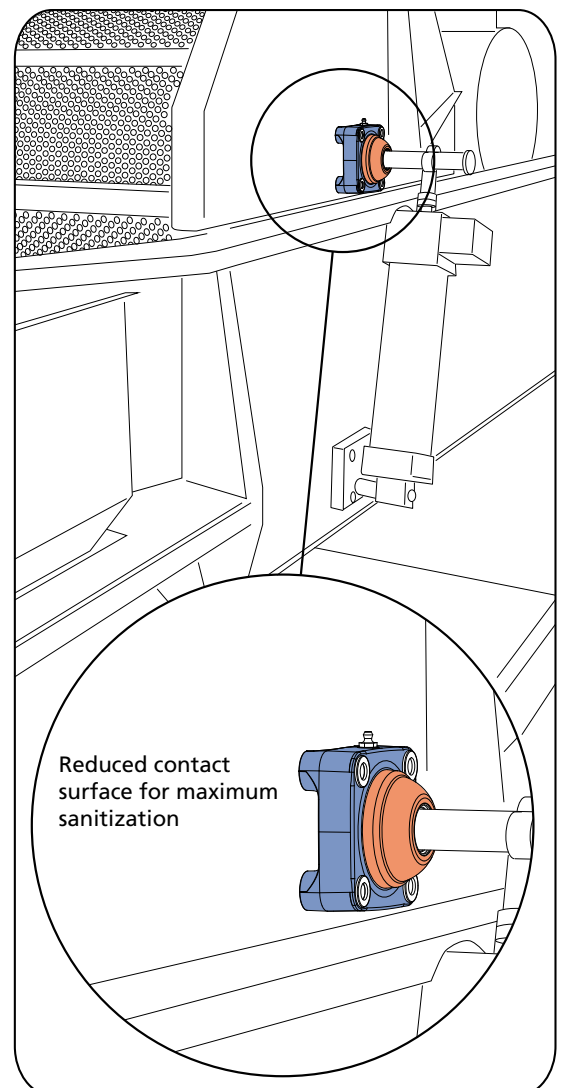
MATERIALS: Support made out of blue Ral 5005 colour PA + glass fiber; chrome steel or stainless steel bearing; greaser made out of stainless steel; reinforcement bushings and washers made out of stainless steel AISI 304; gaskets made out of NBR rubber; cover made out of orange Ral 2004 colour polypropylene.

FEATURES: Full protection of bearing against external agents. Assembly with not shouldered shafts. The reduced contact surface of the base of the support allows maximum sanitation. Maximum shaft alignment error 2.5°.

BOX QUANTITY: 8 pieces.

ON REQUEST: Versions with body in polypropylene + glass fiber and antibacterial additive; supports with eccentric collar shaft locking with chrome steel bearing; protection covers in different colours and with customized brand; box quantity according to your request; Viton gaskets.

Example of application



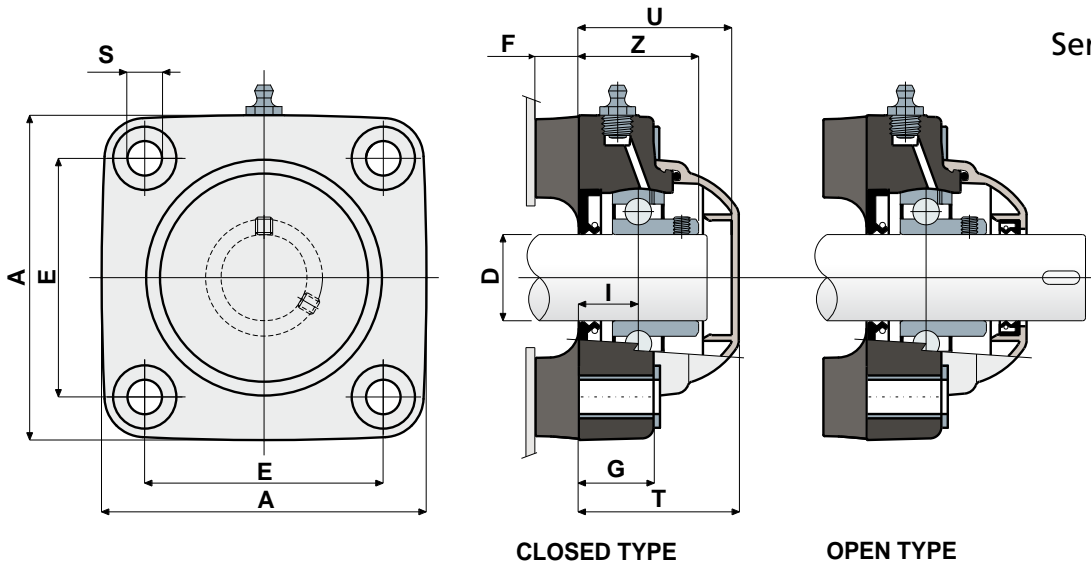
Reduced contact surface for maximum sanitation



Square flanged bearing supports (Solid)

Technical data

Serie **UCF/C**



CHROME STEEL BEARING																	
D	SERIE	CODES				DIMENSIONS (mm)								Bearing load (N)		Bearing support load	
		Standard bearing		Long Life bearing		E	A	S	F	G	I	Z	U	T	C	CO	(N)
		Blue Ral 5005															
		Closed	Open	Closed	Open												
25	UCF 205 C	88684	88685	89397	89398	70	99,5	10,5	15	22	17,4	37	47	49,5	14000	7800	17000
30	UCF 206 C	88688	88689	89399	89400	83	113	10,5	15	26	20	42	53,2	55,7	19500	11300	17500

STAINLESS STEEL BEARING AISI 440																	
D	SERIE	CODES				DIMENSIONS (mm)								Bearing load (N)		Bearing support load	
		Standard bearing		Long Life bearing		E	A	S	F	G	I	Z	U	T	C	CO	(N)
		Blue Ral 5005															
		Closed	Open	Closed	Open												
25	UCF 205 C	88686	88687	89401	89402	70	99,5	10,5	15	22	17,4	37	47	49,5	9150	7800	17000
30	UCF 206 C	88690	88691	89403	89404	83	113	10,5	15	26	20	42	53,2	55,7	12500	11200	17500



Square flanged bearing supports

Serie **UCF/CX**
Serie **MUCF/CX**



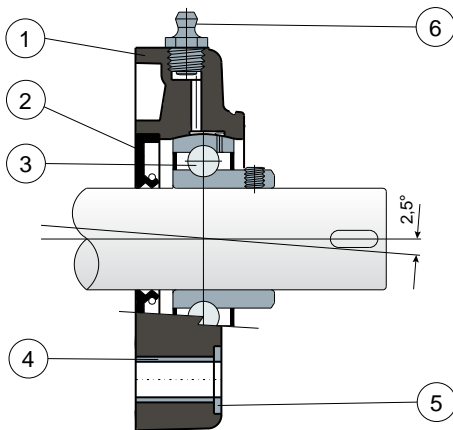
Self-aligning bearings with Solid body: completely closed surface to guarantee the max hygiene.



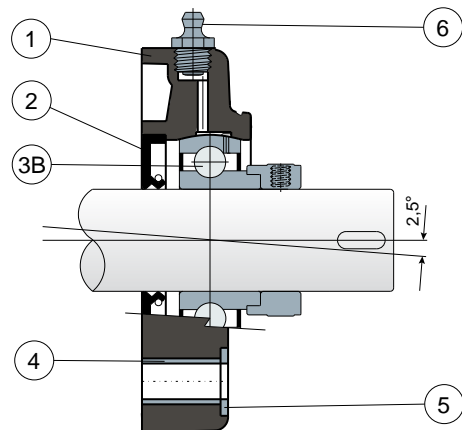
Long Life bearings: life long lubrication.



Grub screws shaft locking - Without protection cover



Eccentric collar shaft locking - Without protection cover



- 1) Housing made out of black, white or blue Ral 5005 colour polyamide reinforced with glass fibers.
- 2) Back gasket made out of NBR rubber for turning shaft seal.
- 3) Chrome steel or stainless steel bearing AISI 440.
- 3B) Chrome steel bearing.
- 4) Spacer for fixing reinforcement made out of stainless steel AISI 304.
- 5) UNI 6592 support washer made out of stainless steel AISI 304.
- 6) Greaser, straight type with 1/8 gas thread, made out of nickel-plated brass (absent in the versions with Long Life bearing).

NOTE: The protection cover can be ordered separately as an accessory; in the Long Life version, the greaser is absent and the lubrication channel is protected by a rubber cap.

Support dimensions respect ISO 3228 set of rules.

Maximum shaft alignment error 2,5°

For further information please contact our technical office or sales department.

MATERIALS: Housing is made out of PA + glass fiber in black, white or blue Ral 5005 colours; bearing with grub screws shaft locking in chrome steel or stainless steel; bearing with eccentric collar shaft locking in chrome steel; greaser made out of nickel plated brass; reinforcement bushings and washers made out of stainless steel AISI 304; gaskets made out of NBR rubber; cover made out of polypropylene grey Ral 7042, blue Ral 5015, orange Ral 2004 or red Ral 3000 colour.

FEATURES: The protection cover can be ordered separately as an accessory. Assembly with not shouldered shafts. Maximum shaft alignment error 2.5°.

BOX QUANTITY: 8 pieces.

ON REQUEST: Versions with body in polypropylene + glass fiber and antibacterial additive; protection covers in different colours and with customized brand; box quantity according to your request; Viton gaskets.



Square flanged bearing supports (Solid)

Serie **UCF/CX**

Serie **MUCF/CX**

NEW

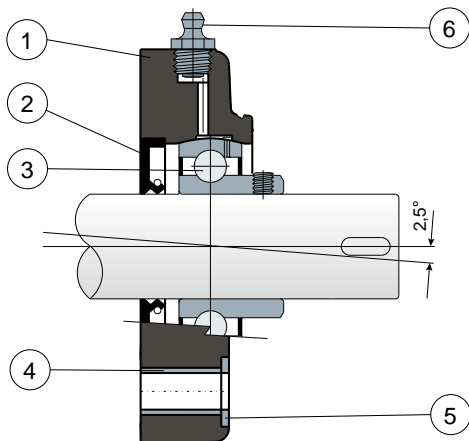


Self-aligning bearings with Solid body: completely closed surface to guarantee the max hygiene.

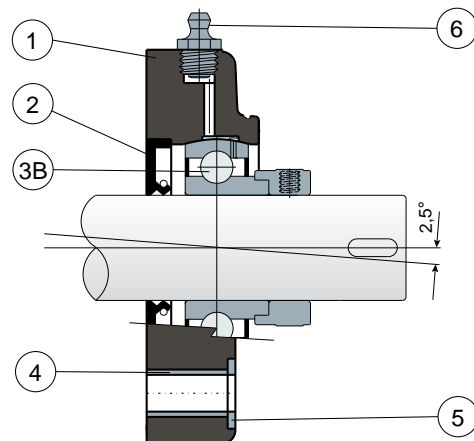


Long Life bearings: life long lubrication.

Grub screws shaft locking - Without protection cover



Eccentric collar shaft locking - Without protection cover



- 1) Housing made out of blue Ral 5005 colour polyamide reinforced with glass fibers.
- 2) Back gasket made out of NBR rubber for turning shaft seal.
- 3) Chrome steel or stainless steel bearing AISI 440.
- 3B) Chrome steel bearing.
- 4) Spacer for fixing reinforcement made out of stainless steel AISI 304.
- 5) UNI 6592 support washer made out of stainless steel AISI 304.
- 6) Greaser, straight type with 1/8 gas thread, made out of nickel-plated brass (absent in the versions with Long Life bearing).

NOTE: The protection cover can be ordered separately as an accessory; in the Long Life version, the greaser is absent and the lubrication channel is protected by a rubber cap.

Support dimensions respect ISO 3228 set of rules.

Maximum shaft alignment error 2,5°

For further information please contact our technical office or sales department.

MATERIALS: Housing is made out of PA + glass fiber in blue Ral 5005 colour; bearing with grub screws shaft locking in chrome steel or stainless steel; bearing with eccentric collar shaft locking in chrome steel; greaser made out of nickel plated brass; reinforcement bushings and washers made out of stainless steel AISI 304; gaskets made out of NBR rubber; cover made out of polypropylene grey Ral 7042, blue Ral 5015, orange Ral 2004 or red Ral 3000 colour.

FEATURES: The protection cover can be ordered separately as an accessory. This part is moulded without internal cavities in order to obtain the best sanification. Assembly with not shouldered shafts. Maximum shaft alignment error 2.5°.

BOX QUANTITY: 8 pieces.

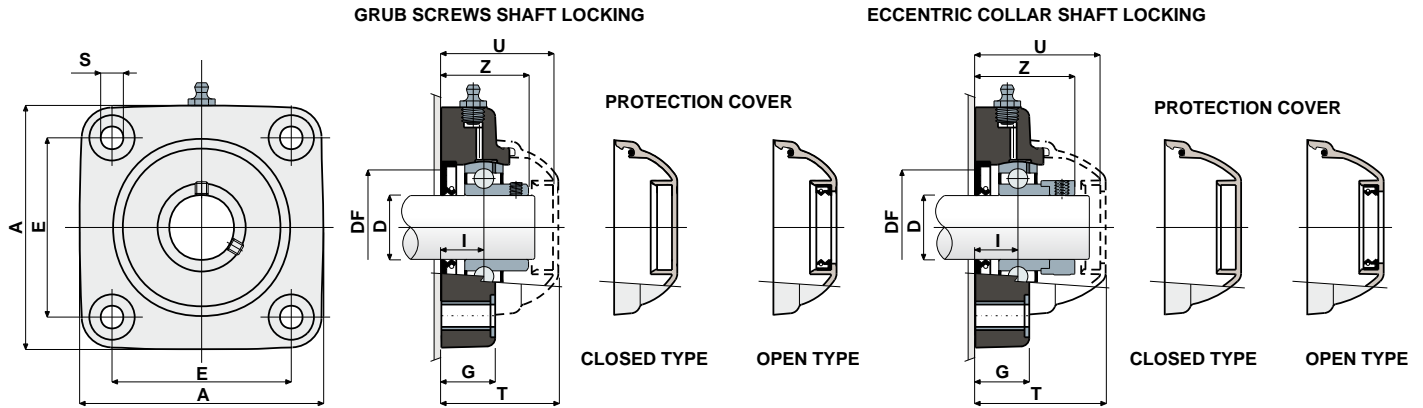
ON REQUEST: Versions with body in polypropylene + glass fiber and antibacterial additive; housing in black colour polyamide reinforced with glass fibers; protection covers in different colours and with customized brand; box quantity according to your request; Viton gaskets; available without NBR rubber back gasket for turning shaft seal.



Square flanged bearing supports (Solid)

Technical data

Serie **UCF/CX**
Serie **MUCF/CX**



GRUB SCREWS SHAFT LOCKING

D		SERIE	CHROME STEEL BEARING													COVER CODES														
			Support CODES		DIMENSIONS (mm)										Bearing load (N)			Bearing support load			GREY RAL 7042				BLUE RAL 5015		ORANGE RAL 2004		RED RAL 3000	
			Standard bearing	Long Life bearing	E	A	S	G	I	Z	U	T	DF		C	CO	(N)	Closed	Open	Closed	Open	Closed	Open	Closed	Open					
20	UCF 204 CX		89167	89472	63,5	90	10,5	19	15,5	33,5	44	46,5	45	40	12800	6600	16500	80254	80255	87259	83901	82305	82306	87540	87541					
25	UCF 205 CX		89168	89473	70	99,5	10,5	22	17,4	37	47	49,5	50	45	14000	7800	17000	80075	80076	85384	85385	82276	82277	87542	87543					
30	MUCF 206 CX		87673	89417	83	113	10,5	26	20,7	41	65	68	60	50	19500	11300	17500	80256	80494	83088	87271	82280	87555	87528	87569					
35	UCF 207 CX		89170	89475	92	122	10,5	26	20	45	57	59	70	55	25500	15300	18000	80077	80078	80969	80275	82284	82285	87544	87545					
35	MUCF 207 CX		87674	89419	83	113	10,5	26	20	45	65	68	70	55	25500	15300	18000	80256	80495	83088	87277	82280	87557	87528	87529					
40	UCF 208 CX		89171	89477	102	133	10,5	26	19,5	48,5	65	68	78	65	32500	19800	18000	80256	80257	83088	86722	82280	82281	87528	82804					
40	MUCF 208 CX		87675	89421	83	113	10,5	26	19,5	48,5	65	68	78	65	32500	19800	18000	80256	80257	83088	86722	82280	82281	87528	82804					

ECCENTRIC COLLAR SHAFT LOCKING

D		SERIE	CHROME STEEL BEARING													COVER CODES							
			Support CODES		DIMENSIONS (mm)										Bearing load (N)			Bearing support load		GREY RAL 7042			
			Standard bearing	Long Life bearing	E	A	S	G	I	Z	U	T	DF		C	CO	(N)	Closed	Open				
20	UCF 204 CX		89172	89479	63,5	90	10,5	19	15,5	39	51	53,5	45	40	12800	6600	16500	88371	88372				
25	UCF 205 CX		89173	89480	70	99,5	10,5	22	17,4	40,9	52,9	55,4	50	45	14000	7800	17000	88373	88374				
30	MUCF 206 CX		88459	89440	83	113	10,5	26	20,7	47,4	65	68	60	50	19500	11300	17500	80256	80494				
35	UCF 207 CX		89174	89482	92	122	10,5	26	20	49,3	61,3	63,8	70	55	25500	15300	18000	88377	88378				
35	MUCF 207 CX		88461	89442	83	113	10,5	26	20	49,3	65	68	70	55	25500	15300	18000	80256	80495				
40	UCF 208 CX		89175	89484	102	133	10,5	26	19,5	52,2	65	68	78	65	32500	19800	18000	80256	80257				
40	MUCF 208 CX		88463	89444	83	113	10,5	26	19,5	52,2	65	68	78	65	32500	19800	18000	80256	80257				

GRUB SCREWS SHAFT LOCKING

D		SERIE	STAINLESS STEEL BEARING AISI 440													COVER CODES													
			Support CODES		DIMENSIONS (mm)										Bearing load (N)			Bearing support load		GREY RAL 7042				BLUE RAL 5015		ORANGE RAL 2004		RED RAL 3000	
			Standard bearing	Long Life bearing	E	A	S	G	I	Z	U	T	DF		C	CO	(N)	Closed	Open	Closed	Open	Closed	Open	Closed	Open				
20	UCF 204 CX		89176	89486	63,5	90	10,5	19	15,5	33,5	44	46,5	45	40	8300	6600	16500	80254	80255	87259	83901	82305	82306	87540	87541				
25	UCF 205 CX		89177	89487	70	99,5	10,5	22	17,4	37	47	49,5	50	45	9150	7800	17000	80075	80076	85384	85385	82276	82277	87542	87543				
30	MUCF 206 CX		87676	89458	83	113	10,5	26	20,7	41	65	68	60	50	12500	11200	17500	80256	80494	83088	87271	82280	87555	87528	87569				
35	UCF 207 CX		89178	89489	92	122	10,5	26	20	45	57	59	70	55	16600	15300	18000	80077	80078	80969	80275	82284	82285	87544	87545				
35	MUCF 207 CX		87677	89460	83	113	10,5	26	20	45	65	68	70	55	16600	15300	18000	80256	80495	83088	87277	82280	87557	87528	87529				
40	UCF 208 CX		89179	89491	102	133	10,5	26	19,5	48,5	65	68	78	65	20000	19000	18000	80256	80257	83088	86722	82280	82281	87528	82804				
40	MUCF 208 CX		87678	89462	83	113	10,5	26	19,5	48,5	65	68	78	65	20000	19000	18000	80256	80257	83088	86722	82280	82281	87528	82804				

GRUB SCREWS SHAFT LOCKING - VERSIONS WITH MEASURES IN INCHES

D		SERIE	CHROME STEEL BEARING													COVER CODES													
			Support CODES		DIMENSIONS (mm)										Bearing load (N)			Bearing support load		GREY RAL 7042				BLUE RAL 5015		ORANGE RAL 2004		RED RAL 3000	
			Standard bearing	Long Life bearing	E	A	S	G	I	Z	U	T	DF		C	CO	(N)	Closed	Open	Closed	Open	Closed	Open	Closed	Open				
1"	25,4	UCF 205 CX		89222	89493	70	99,5	10,5	22	17,4	37	47	49,5	50	45	14000	7800	17000	80075	85202	85384	87273	82276	87660	87542	87663			
1 1/4"	31,75	MUCF 206 CX		87681	89471	83	113	10,5	26	20,7	41	65	68	60	50	19500	11300	17500	80256	85204	83088	87275	82280	87662	87528	87665			

Inch dimensions conform to the British Imperial system



Square flanged bearing supports (Solid)

Serie **UCF/CX**



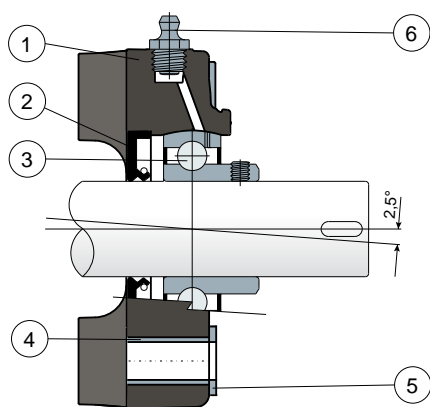
Self-aligning bearings with Solid body: completely closed surface to guarantee the max hygiene.



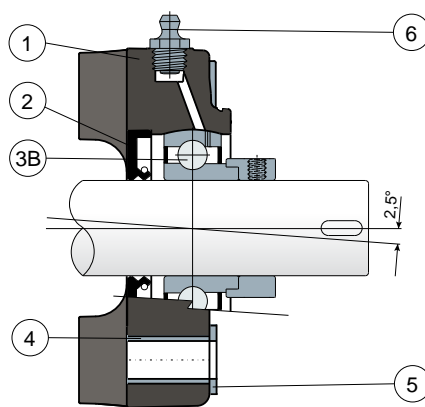
Long Life bearings: life long lubrication.



Grub screws shaft locking - Without protection cover



Eccentric collar shaft locking - Without protection cover



- 1) Housing made out of blue Ral 5005 colour polyamide reinforced with glass fibers.
- 2) Back gasket made out of NBR rubber for turning shaft seal.
- 3) Chrome steel or stainless steel bearing AISI 440.
- 3B) Chrome steel bearing.
- 4) Spacer for fixing reinforcement made out of stainless steel AISI 304.
- 5) UNI 6592 support washer made out of stainless steel AISI 304.
- 6) Greaser, straight type with 1/8 gas thread, made out of stainless steel AISI 303 (absent in the versions with Long Life bearing).

NOTE: The protection cover can be ordered separately as an accessory; in the Long Life version, the greaser is absent and the lubrication channel is protected by a rubber cap.

Support dimensions respect ISO 3228 set of rules

Maximum shaft alignment error 2,5°

For further information please contact our technical office or sales department.

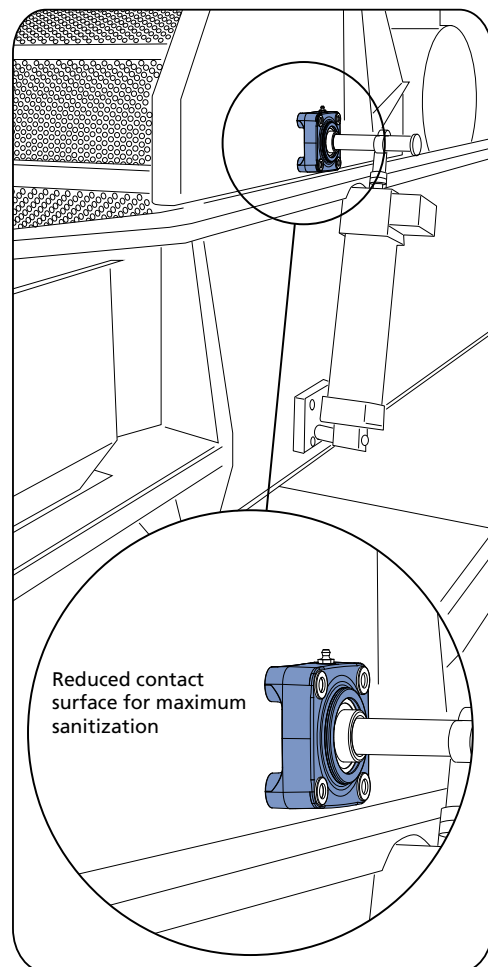
MATERIALS: Support made out of blue Ral 5005 colour PA + glass fiber; bearing with grub screws shaft locking in chrome steel or stainless steel; bearing with eccentric collar shaft locking in chrome steel; greaser made out of stainless steel; reinforcement bushings and washers made out of stainless steel AISI 304; gaskets made out of NBR rubber; cover made out of polypropylene grey Ral 7042, blue Ral 5015, orange Ral 2004, red Ral 3000 colour.

FEATURES: The protection cover can be ordered separately as an accessory. The reduced contact surface of the base of the support allows maximum sanitization. Assembly with not shouldered shafts. Maximum shaft alignment error 2.5°.

BOX QUANTITY: 8 pieces.

ON REQUEST: Versions with body in polypropylene + glass fiber and antibacterial additive; protection covers in different colours and with customized brand; box quantity according to your request; Viton gaskets; available without NBR rubber back gasket for turning shaft seal.

Example of application





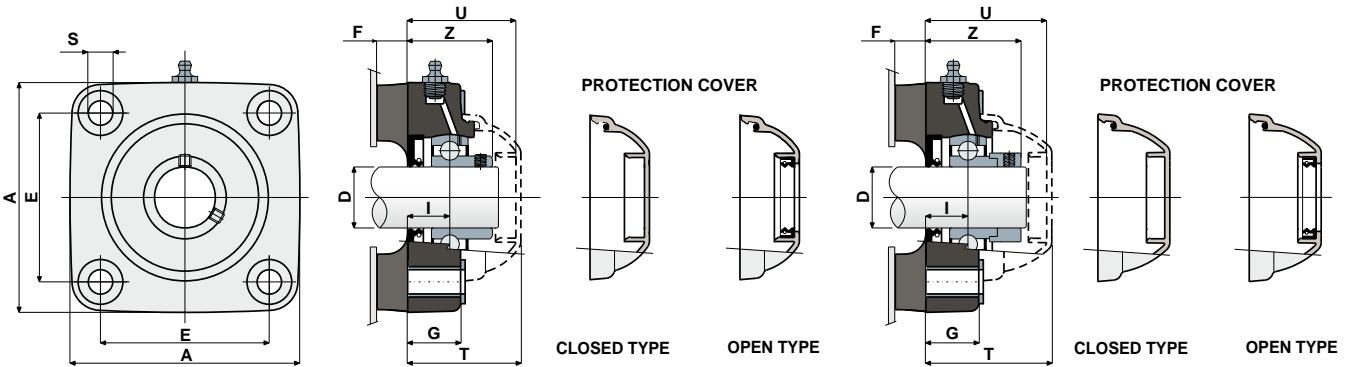
Square flanged bearing supports (Solid)

Technical data


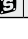
Serie **UCF/CX**

GRUB SCREWS SHAFT LOCKING


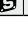
ECCENTRIC COLLAR SHAFT LOCKING




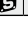
GRUB SCREWS SHAFT LOCKING

D	SERIE	CHROME STEEL BEARING											COVER CODES										
		Support CODES		DIMENSIONS (mm)								Bearing load (N)	Bearing support load	GREY RAL 7042		BLUE RAL 5015		ORANGE RAL 2004		RED RAL 3000			
		Standard bearing	Long Life bearing	E	A	S	F	G	I	Z	U	T	C	CO	(N)	Closed	Open	Closed	Open	Closed	Open	Closed	Open
25	UCF 205 CX 	88692	89495	70	99,5	10,5	15	22	17,4	37	47	49,5	14000	7800	17000	80075	80076	85384	85385	82276	82277	87542	87543
30	UCF 206 CX 	88693	89496	83	113	10,5	15	26	20	42	53,2	55,7	19500	11300	17500	80011	80053	84100	80354	82278	82279	87531	87530

ECCENTRIC COLLAR SHAFT LOCKING

D	SERIE	CHROME STEEL BEARING											COVER CODES				
		Support CODES		DIMENSIONS (mm)								Bearing load (N)	Bearing support load	GREY RAL 7042			
		Standard bearing	Long Life bearing	E	A	S	F	G	I	Z	U	T	C	CO	(N)	Closed	Open
25	UCF 205 CX 	88696	89497	70	99,5	10,5	15	22	17,4	40,9	52,9	55,4	14000	7800	17000	88373	88374
30	UCF 206 CX 	88697	89498	83	113	10,5	15	26	20	46,7	59,4	61,9	19500	11300	17500	88375	88376

GRUB SCREWS SHAFT LOCKING

D	SERIE	STAINLESS STEEL BEARING AISI 440											COVER CODES										
		Support CODES		DIMENSIONS (mm)								Bearing load (N)	Bearing support load	GREY RAL 7042		BLUE RAL 5015		ORANGE RAL 2004		RED RAL 3000			
		Standard bearing	Long Life bearing	E	A	S	F	G	I	Z	U	T	C	CO	(N)	Closed	Open	Closed	Open	Closed	Open	Closed	Open
25	UCF 205 CX 	88694	89499	70	99,5	10,5	15	22	17,4	37	47	49,5	9150	7800	17000	80075	80076	85384	85385	82276	82277	87542	87543
30	UCF 206 CX 	88695	89500	83	113	10,5	15	26	20	42	53,2	55,7	12500	11200	17500	80011	80053	84100	80354	82278	82279	87531	87530



Square flanged bearing supports

Serie **UCF**
Serie **MUCF**



Self-aligning bearings with Solid body: completely closed surface to guarantee the max hygiene.

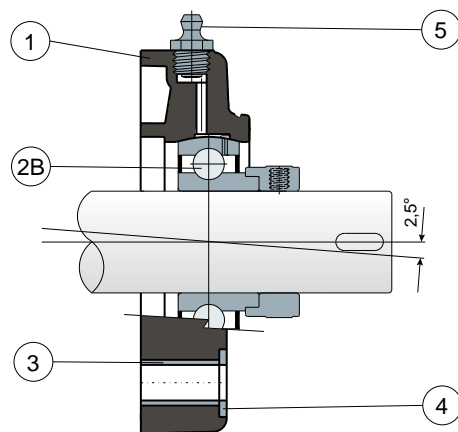
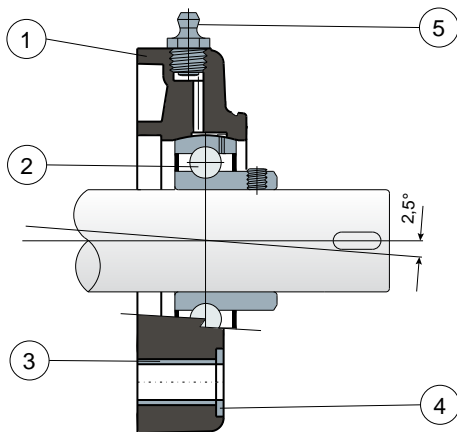


Long Life bearings: life long lubrication.



Grub screws shaft locking - Without cover and back gasket

Eccentric collar shaft locking - Without cover and back gasket



- 1) Housing made out of black, white or blue Ral 5005 colour polyamide reinforced with glass fibers.
- 2) Chrome steel or stainless steel bearing AISI 440.
- 2B) Chrome steel bearing.
- 3) Spacer for fixing reinforcement made out of stainless steel AISI 304.
- 4) UNI 6592 support washer made out of stainless steel AISI 304.
- 5) Greaser, straight type with 1/8 gas thread, made out of nickel-plated brass (absent in the versions with Long Life bearing).

NOTE: The back gasket and the protection cover can be ordered separately as accessories; in the Long Life version, the greaser is absent and the lubrication channel is protected by a rubber cap.

Support dimensions respect ISO 3228 set of rules.
Maximum shaft alignment error 2,5°
For further information please contact our technical office or sales department.

MATERIALS: Housing is made out of PA + glass fiber in black, white or blue Ral 5005 colours; bearing with grub screws shaft locking in chrome steel or stainless steel; bearing with eccentric collar shaft locking in chrome steel; greaser made out of nickel plated brass; reinforcement bushings and washers made out of stainless steel AISI 304; gaskets made out of NBR rubber; cover made out of polypropylene grey Ral 7042, blue Ral 5015, orange Ral 2004 or red Ral 3000 colour.
FEATURES: The back gasket and the protection cover can be ordered separately as accessories. Assembly with shouldered and not shouldered shafts. Maximum shaft alignment error 2.5°.

BOX QUANTITY: 8 pieces.

ON REQUEST: Versions with body in polypropylene + glass fiber and antibacterial additive; protection covers in different colours and with customized brand; box quantity according to your request; Viton gaskets.



Square flanged bearing supports

Serie **UCF/CS**
Serie **MUCF/CS**



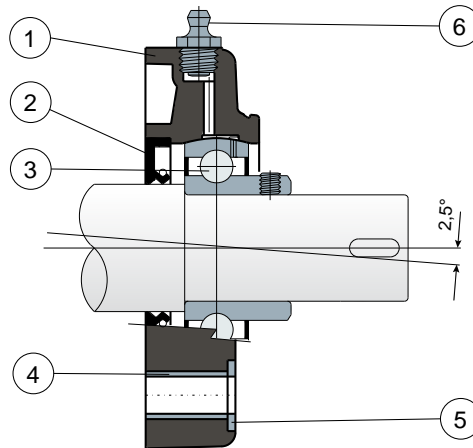
Self-aligning bearings with Solid body: completely closed surface to guarantee the max hygiene.



Long Life bearings: life long lubrication.

NEW

Back gasket for shouldered shaft



- 1) Housing made out of black, white or blue Ral 5005 colour polyamide reinforced with glass fibers.
- 2) Back gasket made out of NBR rubber for turning shaft seal.
- 3) Chrome steel or stainless steel bearing AISI 440.
- 4) Spacer for fixing reinforcement made out of stainless steel AISI 304.
- 5) UNI 6592 support washer made out of stainless steel AISI 304.
- 6) Greaser, straight type with 1/8 gas thread, made out of nickel-plated brass (absent in the versions with Long Life bearing).

N.B.: The protection cover can be ordered separately as an accessory; in the Long Life version, the greaser is absent and the lubrication channel is protected by a rubber cap.

Support dimensions respect ISO 3228 set of rules.

Maximum shaft alignment error 2,5°

For further information please contact our technical office or sales department.

MATERIALS: Housing is made out of PA + glass fiber in black, white or blue Ral 5005 colours; chrome steel or stainless steel bearing; greaser made out of nickel plated brass; reinforcement bushings and washers made out of stainless steel AISI 304; gaskets made out of NBR rubber; cover made out of polypropylene grey Ral 7042, blue Ral 5015, orange Ral 2004 or red Ral 3000 colour.

FEATURES: Back gasket for shouldered shafts; the protection cover can be ordered separately as an accessory. Use of shouldered shafts allows a higher capability of axial load. Maximum shaft alignment error 2.5°.

BOX QUANTITY: 8 pieces.

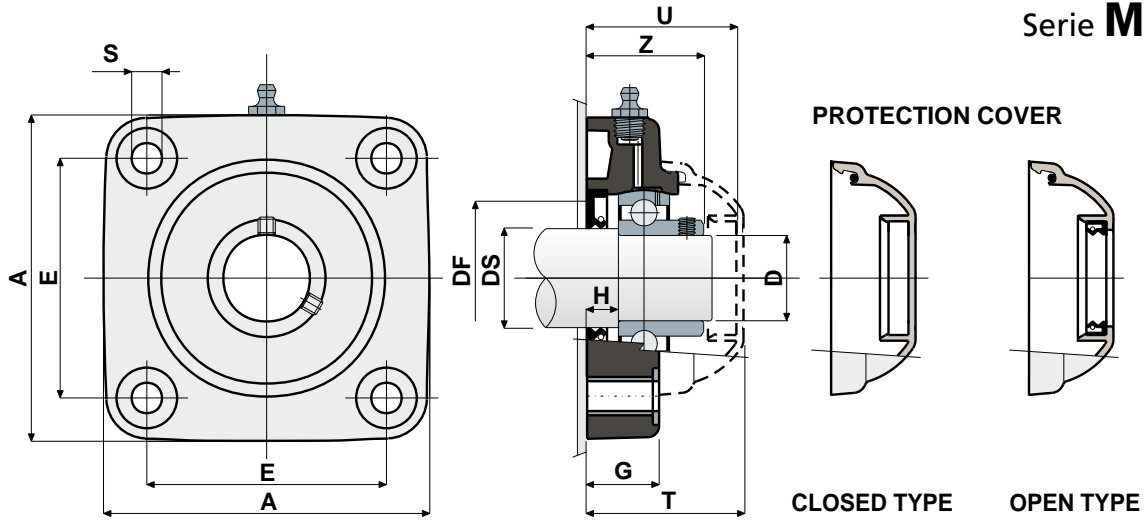
ON REQUEST: Versions with body in polypropylene + glass fiber and antibacterial additive; protection covers in different colours and with customized brand; box quantity according to your request; Viton gaskets.



Square flanged bearing supports

Technical data

Serie **UCF/CS**
Serie **MUCF/CS**



CHROME STEEL BEARING																				COVER CODES											
DS	D	SERIE	Support CODES						DIMENSIONS (mm)										Bearing load (N)			Bearing support load		GREY RAL 7042		BLUE RAL 5015		ORANGE RAL 2004		RED RAL 3000	
			Standard bearing			Long Life bearing			E	A	S	G	H	Z	U	T	DF		C	CO	(N)	Closed	Open	Closed	Open	Closed	Open	Closed	Open		
			Black	White	Blue Ral.5005	Black	White	Blue Ral.5005									Max	Min													
25	20	UCF 204 CS	80260	85246	89229	89573	89580	89588	63,5	90	10,5	19	8,5	33,5	44	46,5	45	40	12800	6600	16500	80254	80255	87259	83901	82305	82306	87540	87541		
30	25	UCF 205 CS	80178	85247	89230	89574	89581	89589	70	99,5	10,5	22	10	37	47	49,5	50	45	14000	7800	17000	80075	80076	85384	85385	82276	82277	87542	87543		
35	30	UCF 206 CS	80179	85248	89231	89575	89582	89590	83	113	10,5	26	11,5	41	52,5	55	60	50	19500	11300	17500	80011	80053	84100	80354	82278	82279	87531	87530		
35	30	MUCF 206 CS	84045	85249	89232	89576	89583	89591	83	113	10,5	26	11,5	41	65	68	60	50	19500	11300	17500	80256	80494	83088	87271	82280	87555	87528	87569		
40	35	UCF 207 CS	80180	85250	89233	86697	89584	89592	92	122	10,5	26	10,5	45	57	59	70	55	25500	15300	18000	80077	80078	80969	80275	82284	82285	87544	87545		
40	35	MUCF 207 CS	84046	85251	89234	89577	89585	89593	83	122	10,5	26	10,5	45	65	68	70	55	25500	15300	18000	80256	80495	83088	87277	82280	87557	87528	87529		
45	40	UCF 208 CS	80261	85252	89235	89578	89586	89594	102	133	10,5	26	9	48,5	65	68	78	65	32500	19800	18000	80256	80257	83088	86722	82280	82281	87528	82804		
45	40	MUCF 208 CS	80713	85253	89236	89579	89587	89595	83	113	10,5	26	9	48,5	65	68	78	65	32500	19800	18000	80256	80257	83088	86722	82280	82281	87528	82804		

STAINLESS STEEL BEARING AISI 440																				COVER CODES											
DS	D	SERIE	Support CODES						DIMENSIONS (mm)										Bearing load (N)			Bearing support load		GREY RAL 7042		BLUE RAL 5015		ORANGE RAL 2004		RED RAL 3000	
			Standard bearing			Long Life bearing			E	A	S	G	H	Z	U	T	DF		C	CO	(N)	Closed	Open	Closed	Open	Closed	Open	Closed	Open		
			Black	White	Blue Ral.5005	Black	White	Blue Ral.5005									Max	Min													
25	20	UCF 204 CS	83520	85254	89237	89596	89602	89610	63,5	90	10,5	19	8,5	33,5	44	46,5	45	40	8300	6600	16500	80254	80255	87259	83901	82305	82306	87540	87541		
30	25	UCF 205 CS	84146	85255	89238	88091	89603	89611	70	99,5	10,5	22	10	37	47	49,5	50	45	9150	7800	17000	80075	80076	85384	85385	82276	82277	87542	87543		
35	30	UCF 206 CS	83829	85256	89239	89597	89604	89612	83	113	10,5	26	11,5	41	52,5	55	60	50	12500	11200	17500	80011	80053	84100	80354	82278	82279	87531	87530		
35	30	MUCF 206 CS	85259	85261	89240	89598	89605	89613	83	113	10,5	26	11,5	41	65	68	60	50	12500	11200	17500	80256	80494	83088	87271	82280	87555	87528	87569		
40	35	UCF 207 CS	84147	85257	89241	89599	89606	89614	92	122	10,5	26	10,5	45	57	59	70	55	16600	15300	18000	80077	80078	80969	80275	82284	82285	87544	87545		
40	35	MUCF 207 CS	85260	85262	89242	88090	89607	89615	83	122	10,5	26	10,5	45	65	68	70	55	16600	15300	18000	80256	80495	83088	87277	82280	87557	87528	87529		
45	40	UCF 208 CS	80322	85258	89243	89600	89608	89616	102	133	10,5	26	9	48,5	65	68	78	65	20000	19000	18000	80256	80257	83088	86722	82280	82281	87528	82804		
45	40	MUCF 208 CS	83828	85263	89244	89601	89609	89617	83	113	10,5	26	9	48,5	65	68	78	65	20000	19000	18000	80256	80257	83088	86722	82280	82281	87528	82804		



Square flanged bearing supports (Solid)

Serie **UCF/CA**



On request covers in polypropylene blue Ral 5015 colour.



On request covers in polypropylene orange Ral 2004 colour.



On request covers in polypropylene red Ral 3000 colour.



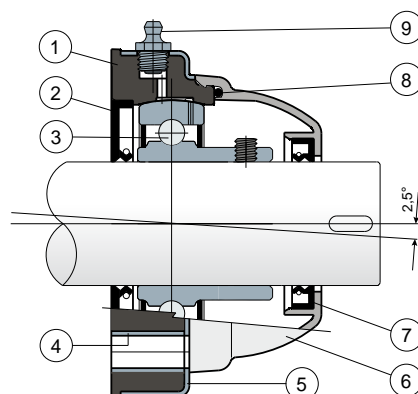
Self-aligning bearings with Solid body: completely closed surface to guarantee the max hygiene.



Long Life bearings: life long lubrication.



External cover made out of stainless steel AISI 304



- 1) Internal body of support made out of black colour polypropylene reinforced with glass fibers.
- 2) Back gasket made out of NBR rubber for turning shaft seal.
- 3) Chrome steel or stainless steel bearing AISI 440.
- 4) Spacer for fixing reinforcement made out of stainless steel AISI 304.
- 5) External cover of support made out of AISI 304 stainless steel.
- 6) Protection cover made out of polypropylene (grey colour Ral 7042).
- 7) Front gasket made out of NBR rubber for turning shaft seal.
- 8) OR gasket made out of NBR rubber.
- 9) Greaser, straight type with 1/8 gas thread, made out of nickel-plated brass (absent in the versions with Long Life bearing).

N.B.: In the Long Life version, the greaser is absent and the lubrication channel is protected by a rubber cap.

Maximum shaft alignment error 2,5°

For further information please contact our technical office or sales department.

MATERIALS: Support made out of black colour PP + glass fiber; external cover of support made out of stainless steel AISI 304; chrome steel or stainless steel bearing; greaser made out of nickel plated brass; reinforcement bushings made out of stainless steel AISI 304; gaskets made out of NBR rubber; protection cover made out of grey RAL 7042 colour polypropylene.

FEATURES: Full protection of bearing against external agents. Housing in polypropylene covered with a layer of AISI 304 stainless steel, to obtain the maximum chemical resistance to antibacterial detergents used in the food processing sector. More over this part is moulded without internal cavities in order to obtain the best sanitation. Assembly with not shouldered shaft. Maximum shaft alignment error 2.5°.

BOX QUANTITY: 8 pieces.

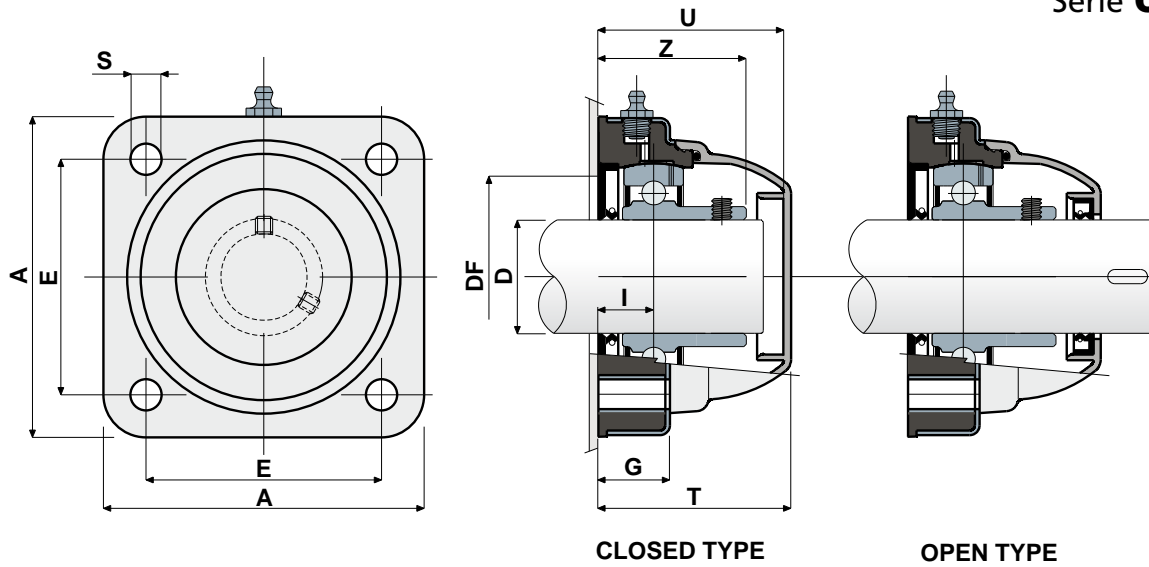
ON REQUEST: Protection covers in different colours and with customized brand; internal body in reinforced polypropylene white or blue Ral 5005 colour; supports with eccentric collar shaft locking with chrome steel bearing; box quantity according to your request; Viton gaskets.



Square flanged bearing supports (Solid)

Technical data

Serie **UCF/CA**



CHROME STEEL BEARING																			
D	SERIE	CODES				DIMENSIONS (mm)											Bearing load (N)		Bearing support load
		Standard bearing		Long Life bearing		E	A	S	G	I	Z	U	T	DF		C	CO	(N)	
		Closed	Open	Closed	Open									Max	Min				
30	UCF 206 CA	80409	80410	89618	89619	83	113	11	27	20	41	65	68	60	50	19500	11300	17500	
35	UCF 207 CA	80485	80486	89620	89621	83	113	11	27	19,5	45	65	68	70	55	25500	15300	18000	
40	UCF 208 CA	80411	80412	83103	83102	83	113	11	27	19,5	48,5	65	68	78	65	32500	19800	18000	

STAINLESS STEEL BEARING AISI 440																			
D	SERIE	CODES				DIMENSIONS (mm)											Bearing load (N)		Bearing support load
		Standard bearing		Long Life bearing		E	A	S	G	I	Z	U	T	DF		C	CO	(N)	
		Closed	Open	Closed	Open									Max	Min				
30	UCF 206 CA	80453	80464	84991	84992	83	113	11	27	20	41	65	68	60	50	12500	11200	17500	
35	UCF 207 CA	81059	81060	84866	84867	83	113	11	27	19,5	45	65	68	70	55	16600	15300	18000	
40	UCF 208 CA	80454	81061	82388	80455	83	113	11	27	19,5	48,5	65	68	78	65	20000	19000	18000	

VERSIONS WITH MEASURES IN INCHES

CHROME STEEL BEARING																			
D	SERIE	CODES				DIMENSIONS (mm)											Bearing load (N)		Bearing support load
		Standard bearing		Long Life bearing		E	A	S	G	I	Z	U	T	DF		C	CO	(N)	
		(inches)	(mm)	Closed	Open									Closed	Open				Max
1 1/4	31,75	UCF 206 CA	84499	84503	89622	89623	83	113	11	27	20	41	65	68	60	50	19500	11300	17500

Inch dimensions conform to the British Imperial system



Square flanged bearing supports (Solid)

Serie **UCF/CXA**



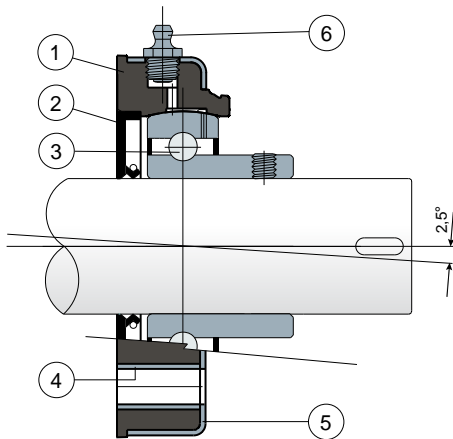
Self-aligning bearings with Solid body: completely closed surface to guarantee the max hygiene.



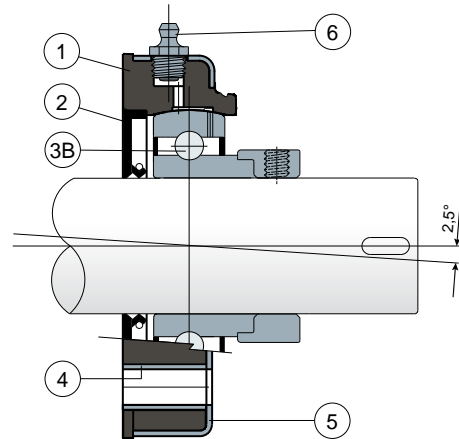
Long Life bearings: life long lubrication.



Grub screws shaft locking
External cover made out of stainless steel AISI 304; without protection cover



Eccentric collar shaft locking
External cover made out of stainless steel AISI 304; without protection cover



- 1) Internal body of support made out of black colour polypropylene reinforced with glass fibers.
- 2) Back gasket made out of NBR rubber for turning shaft seal.
- 3) Chrome steel or stainless steel bearing AISI 440.
- 3B) Chrome steel bearing.
- 4) Spacer for fixing reinforcement made out of stainless steel AISI 304.
- 5) External cover of support made out of AISI 304 stainless steel.
- 6) Greaser, straight type with 1/8 gas thread, made out of nickel-plated brass (absent in the versions with Long Life bearing).

NOTE: The protection cover can be ordered separately as an accessory; in the Long Life version, the greaser is absent and the lubrication channel is protected by a rubber cap.

Maximum shaft alignment error 2,5°
For further information please contact our technical office or sales department.

MATERIALS: Support made out of black colour PP + glass fiber; external cover of support made out of stainless steel AISI 304; bearing with grub screws shaft locking in chrome steel or stainless steel; bearing with eccentric collar shaft locking in chrome steel; greaser made out of nickel plated brass; reinforcement bushings made out of stainless steel AISI 304; gaskets made out of NBR rubber; protection cover made out of polypropylene grey Ral 7042, blue Ral 5015, orange Ral 2004 or red Ral 3000 colour.

FEATURES: The protection cover can be ordered separately as an accessory. Housing in polypropylene covered with a layer of AISI 304 stainless steel, to obtain the maximum chemical resistance to antibacterial detergents used in the food processing sector. More over this part is moulded without internal cavities in order to obtain the best sanification. Assembly with not shouldered shaft. Maximum shaft alignment error 2.5°.

BOX QUANTITY: 8 pieces.

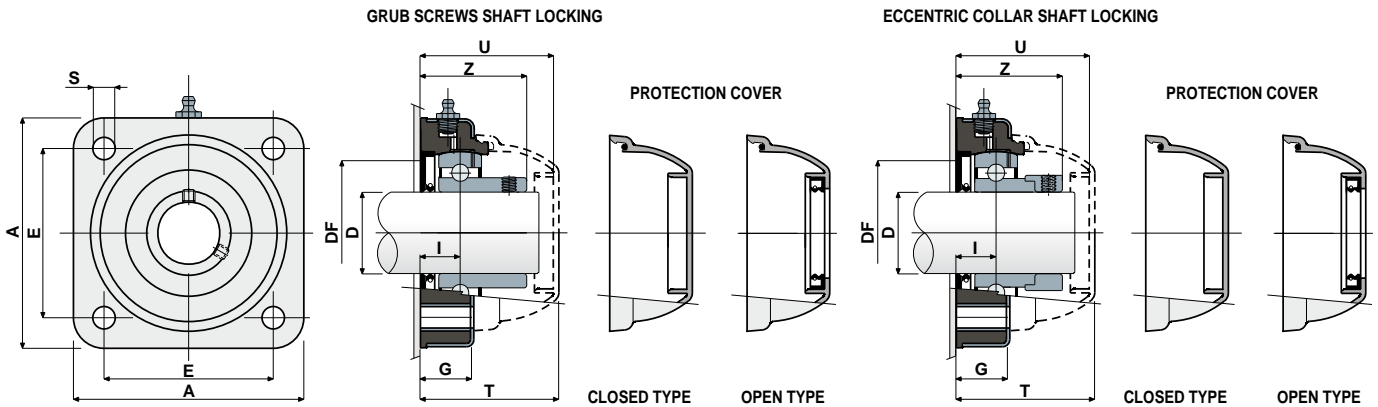
ON REQUEST: Protection covers in different colours and with customized brand; internal body in reinforced polypropylene white or blue Ral 5005 colour; box quantity according to your request; Viton gaskets.



Square flanged bearing supports (Solid)

Technical data

Serie UCF/CXA



GRUB SCREWS SHAFT LOCKING

D	SERIE	CHROME STEEL BEARING											COVER CODES											
		Support CODES		DIMENSIONS (mm)								Bearing load (N)		Bearing support load		GREY RAL 7042		BLUE RAL 5015		ORANGE RAL 2004		RED RAL 3000		
		Standard bearing	Long Life bearing	E	A	S	G	I	Z	U	T	DF		C	CO	(N)	Closed	Open	Closed	Open	Closed	Open	Closed	Open
30	UCF 206 CXA	80413	84796	83	113	11	27	20	41	65	68	60	50	19500	11300	17500								
35	UCF 207 CXA	80479	84797	83	113	11	27	19,5	45	65	68	70	55	25500	15300	18000	80256	80495	83088	87277	82280	87557	87528	87529
40	UCF 208 CXA	80414	84798	83	113	11	27	19,5	48,5	65	68	78	65	32500	19800	18000								

ECCENTRIC COLLAR SHAFT LOCKING

D	SERIE	CHROME STEEL BEARING											COVER CODES											
		Support CODES		DIMENSIONS (mm)								Bearing load (N)		Bearing support load		GREY RAL 7042								
		Standard bearing	Long Life bearing	E	A	S	G	I	Z	U	T	DF		C	CO	(N)	Closed	Open						
30	UCF 206 CXA	87195	89624	83	113	11	27	20	47	65	68	60	50	19500	11300	17500								
35	UCF 207 CXA	88486	80497	83	113	11	27	19,5	49	65	68	70	55	25500	15300	18000	80256	80495						
40	UCF 208 CXA	88487	89625	83	113	11	27	19,5	52,2	65	68	78	65	32500	19800	18000								

GRUB SCREWS SHAFT LOCKING

D	SERIE	STAINLESS STEEL BEARING AISI 440											COVER CODES											
		Support CODES		DIMENSIONS (mm)								Bearing load (N)		Bearing support load		GREY RAL 7042		BLUE RAL 5015		ORANGE RAL 2004		RED RAL 3000		
		Standard bearing	Long Life bearing	E	A	S	G	I	Z	U	T	DF		C	CO	(N)	Closed	Open	Closed	Open	Closed	Open	Closed	Open
30	UCF 206 CXA	80499	89626	83	113	11	27	20	41	65	68	60	50	12500	11200	17500								
35	UCF 207 CXA	80500	85821	83	113	11	27	19,5	45	65	68	70	55	16600	15300	18000	80256	80495	83088	87277	82280	87557	87528	87529
40	UCF 208 CXA	80501	83461	83	113	11	27	19,5	48,5	65	68	78	65	20000	19000	18000								

GRUB SCREWS SHAFT LOCKING - VERSIONS WITH MEASURES IN INCHES

D	SERIE	CHROME STEEL BEARING											COVER CODES											
		Support CODES		DIMENSIONS (mm)								Bearing load (N)		Bearing support load		GREY RAL 7042		BLUE RAL 5015		ORANGE RAL 2004		RED RAL 3000		
		Standard bearing	Long Life bearing	E	A	S	G	I	Z	U	T	DF		C	CO	(N)	Closed	Open	Closed	Open	Closed	Open	Closed	Open
1 1/4 (mm)	31,75	UCF 206 CXA	84505	89627	83	113	11	27	20	41	65	60	50	19500	11300	17500	80256	85204	83088	87275	82280	87662	87528	87665

Inch dimensions conform to the British Imperial system



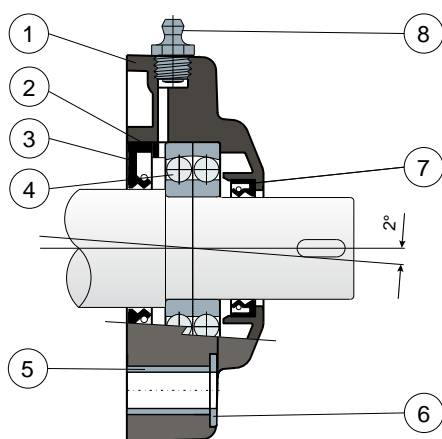
Square flanged bearing supports

Serie **F**

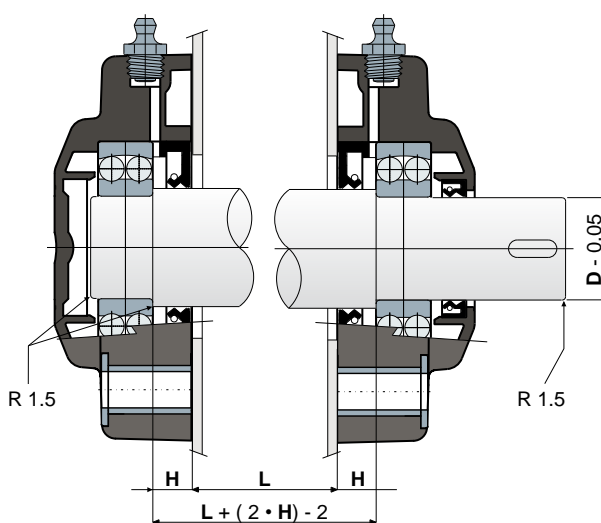


The bearing cover integrated into the body of the support guarantees maximum sanitation

Back gasket for shouldered shaft



Mounting specifications



- 1) Housing made out of black or white colour polyamide reinforced with glass fibers.
- 2) Intermediate bearing ring spacer made out of black colour polyamide reinforced with glass fibers.
- 3) Back gasket made out of NBR rubber for turning shaft seal.
- 4) Chrome steel bearing type 1200 supplied without lubricant.
- 5) Spacer for fixing reinforcement made out of stainless steel AISI 304.
- 6) UNI 6592 support washer made out of stainless steel AISI 304.
- 7) Front gasket made out of NBR rubber for turning shaft seal.
- 8) Greaser, straight type with 1/8 gas thread, made out of nickel-plated brass.

Support dimensions respect ISO 3228 set of rules

Maximum shaft alignment error 2°

For further information please contact our technical office or sales department.

MATERIALS: Housing is made out of PA + glass fiber in black or white colours; Intermediate bearing ring spacer made out of black colour PA + glass fiber; chrome steel bearing; greaser made out of nickel plated brass; reinforcement bushings and washers made out of stainless steel AISI 304; gaskets made out of NBR rubber.

FEATURES: Back gasket for shouldered shafts. Use of shouldered shafts allows a higher capability of axial load. Maximum shaft alignment error 2°.

BOX QUANTITY: 8 pieces.

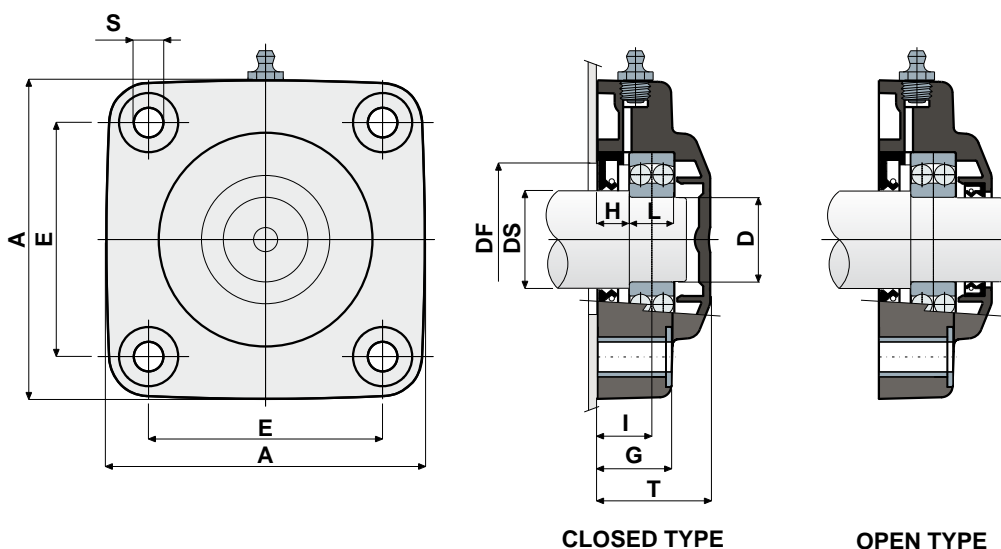
ON REQUEST: Versions with body in polypropylene + glass fiber and antibacterial additive; box quantity according to your request; Viton gaskets.



Square flanged bearing supports

Technical data

Serie **F**

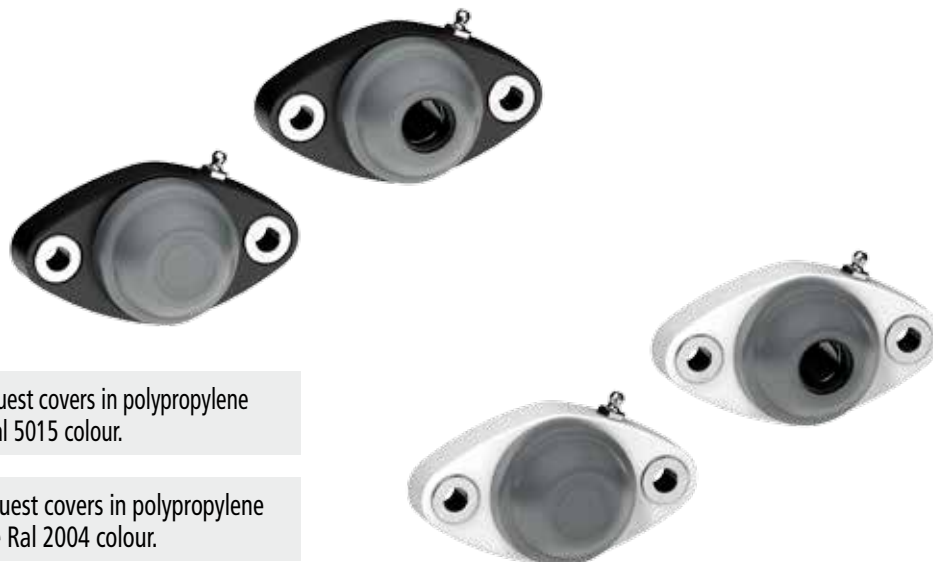


CHROME STEEL BEARING																				
DS	D	SERIE	CODES				DIMENSIONS (mm)											Bearing load (N)		Bearing support load
			Black		White		E	A	S	G	H	I	L	T	DF		C	C0	(N)	
			Closed	Open	Closed	Open									Max	Min				
30	25	F 1205	87469	87475	87470	87476	70	99	10,5	22	11	18,8	15	36,5	50	45	14300	4000	17250	
35	30	F 1206	87481	87487	87482	87488	83	113	10,5	26	11	19,3	16	40	60	50	15600	4650	17250	



Oval flanged bearing supports

Serie **UCFL/C**
Serie **MUCFL/C**



On request covers in polypropylene blue Ral 5015 colour.



On request covers in polypropylene orange Ral 2004 colour.



On request covers in polypropylene red Ral 3000 colour.



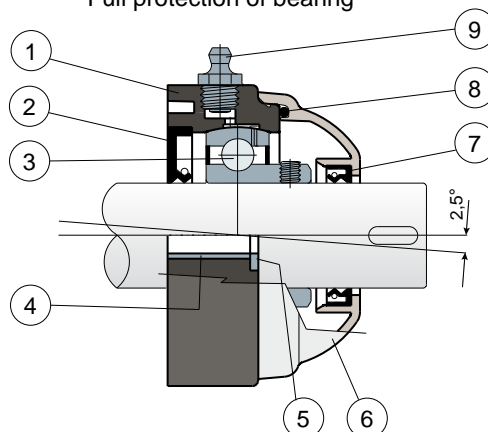
Self-aligning bearings with Solid body: completely closed surface to guarantee the max hygiene.



Long Life bearings: life long lubrication.



Full protection of bearing



- 1) Housing made out of black or white colour polyamide reinforced with glass fibers.
- 2) Back gasket made out of NBR rubber for turning shaft seal.
- 3) Chrome steel or stainless steel bearing AISI 440.
- 4) Spacer for fixing reinforcement made out of stainless steel AISI 304.
- 5) UNI 6592 support washer made out of stainless steel AISI 304.
- 6) Protection cover made out of polypropylene (grey colour Ral 7042).
- 7) Front gasket made out of NBR rubber for turning shaft seal.
- 8) OR gasket made out of NBR rubber
- 9) Greaser, straight type with 1/8 gas thread, made out of nickel-plated brass (absent in the versions with Long Life bearing).

N.B.: In the Long Life version, the greaser is absent and the lubrication channel is protected by a rubber cap.

Support dimensions respect ISO 3228 set of rules.

Maximum shaft alignment error 2,5°

For further information please contact our technical office or sales department.

MATERIALS: Housing is made out of PA + glass fiber in black or white colours; chrome steel or stainless steel bearing; greaser made out of nickel plated brass; reinforcement bushings and washers made out of stainless steel AISI 304; gaskets made out of NBR rubber; cover made out of grey RAL 7042 colour polypropylene.

FEATURES: Full protection of bearing against external agents. Assembly with not shouldered shafts. Maximum shaft alignment error 2.5°.

BOX QUANTITY: 8 pieces.

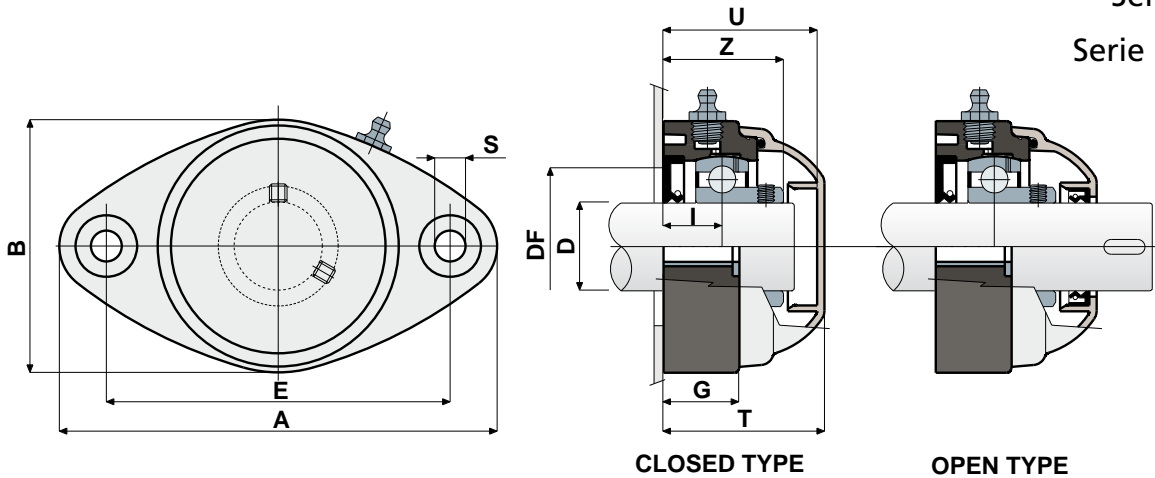
ON REQUEST: Versions with body in polypropylene + glass fiber and antibacterial additive; supports with eccentric collar shaft locking with chrome steel bearing; protection covers in different colours and with customized brand; box quantity according to your request; Viton gaskets.



Oval flanged bearing supports

Technical data

Serie **UCFL/C**
Serie **MUCFL/C**



CHROME STEEL BEARING																							
D	SERIE	CODES								DIMENSIONS (mm)										Bearing load (N)		Bearing support load	
		Standard bearing				Long Life bearing				E	A	B	S	G	I	Z	U	T	DF		C	C0	(N)
		Black		White		Black		White											Max	Min			
		Closed	Open	Closed	Open	Closed	Open	Closed	Open														
20	UCFL 204 C	80262	80263	84644	84645	83617	83616	89636	89637	90	118	64	10,5	19	15,5	33,5	44	46,5	45	40	12800	6600	8500
20	MUCFL 204 C	82858	82857	84676	84677	89628	89629	89638	89639	90	122	86	10,5	19	16	34	44	46,5	45	40	12800	6600	8500
20	MUCFL 204 C	87211	87212	87213	87214	87655	87654	89640	89641	76,5	100	70	10,5	11	15,5	33,5	44	46,5	45	40	12800	6600	8500
25	UCFL 205 C	80067	80071	84646	84647	83614	83615	85388	89642	99	131	72	10,5	22	17,4	37	47	49,5	50	45	14000	7800	10000
25	MUCFL 205 C	82860	82859	84678	84679	89630	89631	89643	89644	90	122	86	10,5	19	15,5	35	44	46,5	50	45	14000	7800	10000
30	UCFL 206 C	80068	80072	84648	84649	87209	87210	89645	89646	117	149	86	10,5	26	20	42	53	56	60	50	19500	11300	13000
30	MUCFL 206 C	82409	82408	84680	84681	88352	88661	89647	89648	90	122	86	10,5	19	13	35	52	54,5	60	50	19500	11300	13000
35	UCFL 207 C	80069	80073	84650	84651	89632	87442	89649	89650	130	163	94	10,5	26	20	45	57	59	70	55	25500	15300	14000
35	MUCFL 207 C	84014	83989	84682	84683	89633	89634	89651	89652	117	147	112	10,5	27	20	45,3	57	59,6	70	55	25500	15300	14000
40	UCFL 208 C	85217	85218	85221	85222	87394	87395	89653	89654	144	172	100	10,5	27	19,5	48,5	65,5	71	78	65	32500	19800	15000
40	MUCFL 208 C	84015	83990	84684	84685	89635	88873	89655	89656	117	147	112	10,5	27	20	48,5	65,5	68	78	65	32500	19800	15000

STAINLESS STEEL BEARING AISI 440																							
D	SERIE	CODES								DIMENSIONS (mm)										Bearing load (N)		Bearing support load	
		Standard bearing				Long Life bearing				E	A	B	S	G	I	Z	U	T	DF		C	C0	(N)
		Black		White		Black		White											Max	Min			
		Closed	Open	Closed	Open	Closed	Open	Closed	Open														
20	UCFL 204 C	81062	81063	84652	84653	85527	85528	89671	89672	90	118	64	10,5	19	15,5	33,5	44	46,5	45	40	8300	6600	8500
20	MUCFL 204 C	82870	82869	84686	84687	89657	89658	89673	89674	90	122	86	10,5	19	16	34	44	46,5	45	40	8300	6600	8500
20	MUCFL 204 C	87221	87222	87223	87224	89659	89660	89675	89676	76,5	100	70	10,5	11	15,5	33,5	44	46,5	45	40	8300	6600	8500
25	UCFL 205 C	81064	81065	84654	84655	85531	85532	89677	89678	99	131	72	10,5	22	17,4	37	47	49,5	50	45	9150	7800	10000
25	MUCFL 205 C	82868	82867	84688	84689	89661	89662	89679	89680	90	122	86	10,5	19	15,5	35	44	46,5	50	45	9150	7800	10000
30	UCFL 206 C	81066	81067	84656	84657	85525	85526	89681	89682	117	149	86	10,5	26	20	42	53	56	60	50	12500	11200	13000
30	MUCFL 206 C	82767	82766	84690	84691	89663	89664	89683	89684	90	122	86	10,5	19	13	35	52	54,5	60	50	12500	11200	13000
35	UCFL 207 C	81068	81069	84658	84659	86162	86167	89685	89686	130	163	94	10,5	26	20	45	57	59	70	55	16600	15300	14000
35	MUCFL 207 C	84017	84018	84692	84693	89665	89666	89687	89688	117	147	112	10,5	27	20	45,3	57	59,6	70	55	16600	15300	14000
40	UCFL 208 C	85219	85220	85223	85224	89667	89668	89689	89690	144	172	100	10,5	27	19,5	48,5	65,5	71	78	65	20000	19000	15000
40	MUCFL 208 C	84016	83991	84694	84695	89669	89670	89691	89692	117	147	112	10,5	27	20	48,5	65,5	68	78	65	20000	19000	15000

VERSIONS WITH MEASURES IN INCHES

CHROME STEEL BEARING																								
D	SERIE	CODES								DIMENSIONS (mm)										Bearing load (N)		Bearing support load		
		Standard bearing				Long Life bearing				E	A	B	S	G	I	Z	U	T	DF		C	C0	(N)	
		Black		White		Black		White											Max	Min				
		Closed	Open	Closed	Open	Closed	Open	Closed	Open															
1"	25,4	UCFL 205 C	84506	84507	84891	84892	89474	89476	89492	89494	99	131	72	10,5	22	17,4	37	47	49,5	50	45	14000	7800	10000
1"	25,4	MUCFL 205 C	84515	84539	84979	84980	89478	89481	89693	89694	90	122	86	10,5	19	15,5	35	44	46,5	50	45	14000	7800	10000
1 1/4"	31,75	UCFL 206 C	84508	84509	84893	84894	89483	89485	89695	89696	117	149	86	10,5	26	20	42	53	56	60	50	19500	11300	13000
1 1/4"	31,75	MUCFL 206 C	84516	84540	84981	84982	89488	89490	89697	89698	90	122	86	10,5	19	13	35	52	54,5	60	50	19500	11300	13000

Inch dimensions conform to the British Imperial system



Oval flanged bearing supports (Solid)

Serie **UCFL/C**



On request covers in polypropylene blue Ral 5015 colour.



On request covers in polypropylene orange Ral 2004 colour.



On request covers in polypropylene red Ral 3000 colour.



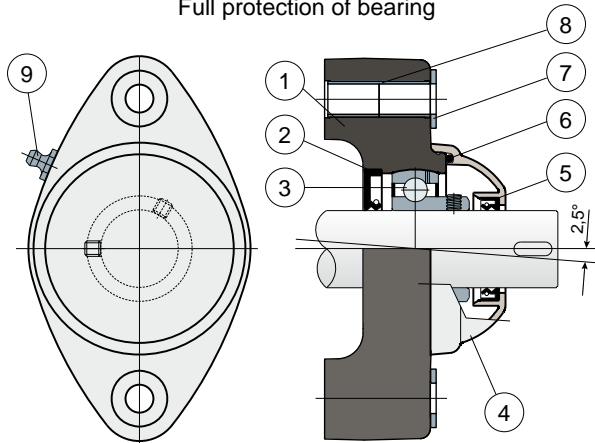
Self-aligning bearings with Solid body: completely closed surface to guarantee the max hygiene.



Long Life bearings: life long lubrication.



Full protection of bearing



- 1) Housing made out of blue Ral 5005 colour polyamide reinforced with glass fibers.
- 2) Back gasket made out of NBR rubber for turning shaft seal.
- 3) Chrome steel or stainless steel bearing AISI 440.
- 4) Protection cover made out of polypropylene (orange Ral 2004 colour).
- 5) Front gasket made out of NBR rubber for turning shaft seal.
- 6) OR gasket made out of NBR rubber.
- 7) UNI 6592 support washer made out of stainless steel AISI 304.
- 8) Spacer for fixing reinforcement made out of stainless steel AISI 304.
- 9) Greaser, straight type with 1/8 gas thread, made out of stainless steel AISI 303 (absent in the versions with Long Life bearing).

N.B.: In the Long Life version, the greaser is absent and the lubrication channel is protected by a rubber cap.

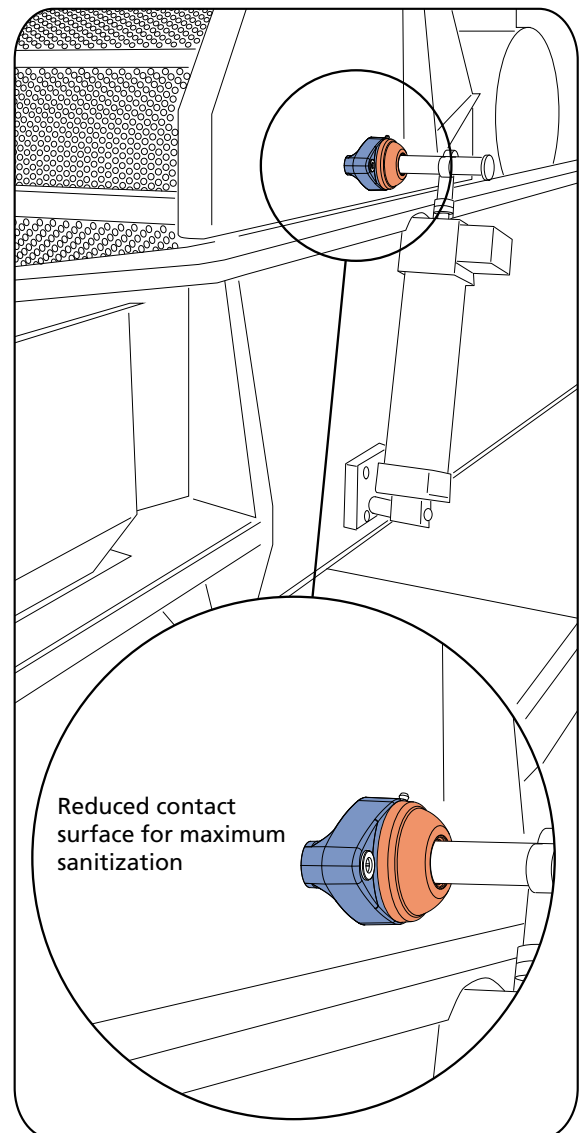
Support dimensions respect ISO 3228 set of rules
Maximum shaft alignment error 2,5°
For further information please contact our technical office or sales department.

MATERIALS: Support made out of blue Ral 5005 colour PA + glass fiber; chrome steel or stainless steel bearing; greaser made out of stainless steel; reinforcement bushings and washers made out of stainless steel AISI 304; gaskets made out of NBR rubber; cover made out of orange Ral 2004 colour polypropylene.
FEATURES: Full protection of bearing against external agents. Assembly with not shouldered shafts. The reduced contact surface of the base of the support allows maximum sanification. Maximum shaft alignment error 2.5°.

BOX QUANTITY: 8 pieces.

ON REQUEST: Versions with body in polypropylene + glass fiber and antibacterial additive; supports with eccentric collar shaft locking with chrome steel bearing; protection covers in different colours and with customized brand; box quantity according to your request; Viton gaskets.

Example of application

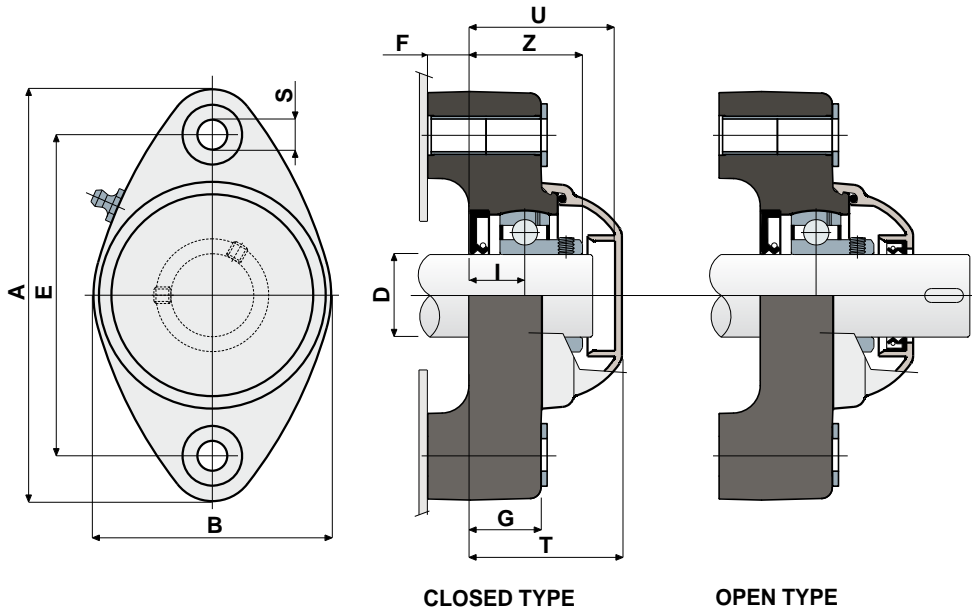




Oval flanged bearing supports (Solid)

Technical data

Serie **UCFL/C**



		CHROME STEEL BEARING																
D	SERIE	CODES				DIMENSIONS (mm)								Bearing load (N)		Bearing support load		
		Standard bearing		Long Life bearing		E	A	B	S	F	G	I	Z	U	T	C	CO	(N)
		Blue Ral 5005																
		Closed	Open	Closed	Open													
25	UCFL 205 C	88633	88635	89699	89700	99	131	72	10,5	15	22	17,4	37	47	49,5	14000	7800	10000
30	UCFL 206 C	87425	87426	89701	89702	117	149	86	10,5	15	26	20	42	53	56	19500	11300	13000

		STAINLESS STEEL BEARING AISI 440																
D	SERIE	CODES				DIMENSIONS (mm)								Bearing load (N)		Bearing support load		
		Standard bearing		Long Life bearing		E	A	B	S	F	G	I	Z	U	T	C	CO	(N)
		Blue Ral 5005																
		Closed	Open	Closed	Open													
25	UCFL 205 C	88634	88636	89703	89704	99	131	72	10,5	15	22	17,4	37	47	49,5	9150	7800	10000
30	UCFL 206 C	87749	87750	89705	89706	117	149	86	10,5	15	26	20	42	53	56	12500	11200	13000



Oval flanged bearing supports

Serie **UCFL/CX**
Serie **MUCFL/CX**

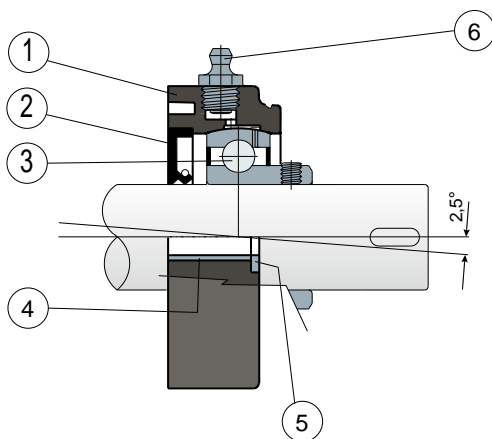


S Self-aligning bearings with Solid body: completely closed surface to guarantee the max hygiene.

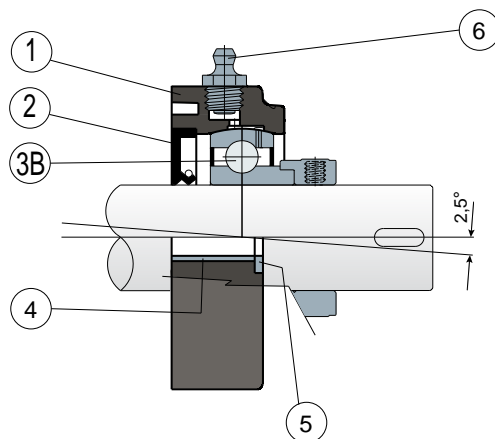
L Long Life bearings: life long lubrication.

NEW

Grub screws shaft locking - Without protection cover



Eccentric collar shaft locking - Without protection cover



- 1) Housing made out of black, white or blue Ral 5005 colour polyamide reinforced with glass fibers.
- 2) Back gasket made out of NBR rubber for turning shaft seal.
- 3) Chrome steel or stainless steel bearing AISI 440.
- 3B) Chrome steel bearing.
- 4) Spacer for fixing reinforcement made out of stainless steel AISI 304.
- 5) UNI 6592 support washer made out of stainless steel AISI 304.
- 6) Greaser, straight type with 1/8 gas thread, made out of nickel-plated brass (absent in the versions with Long Life bearing).

NOTE: The protection cover can be ordered separately as an accessory; in the Long Life version, the greaser is absent and the lubrication channel is protected by a rubber cap.

Support dimensions respect ISO 3228 set of rules.

Maximum shaft alignment error 2,5°

For further information please contact our technical office or sales department.

MATERIALS: Housing is made out of PA + glass fiber in black, white or blue Ral 5005 colours; bearing with grub screws shaft locking in chrome steel or stainless steel; bearing with eccentric collar shaft locking in chrome steel; greaser made out of nickel plated brass; reinforcement bushings and washers made out of stainless steel AISI 304; gaskets made out of NBR rubber; cover made out of polypropylene grey Ral 7042, blue Ral 5015, orange Ral 2004 or red Ral 3000 colour.

FEATURES: The protection cover can be ordered separately as an accessory. Assembly with not shouldered shafts. Maximum shaft alignment error 2.5°.

BOX QUANTITY: 8 pieces.

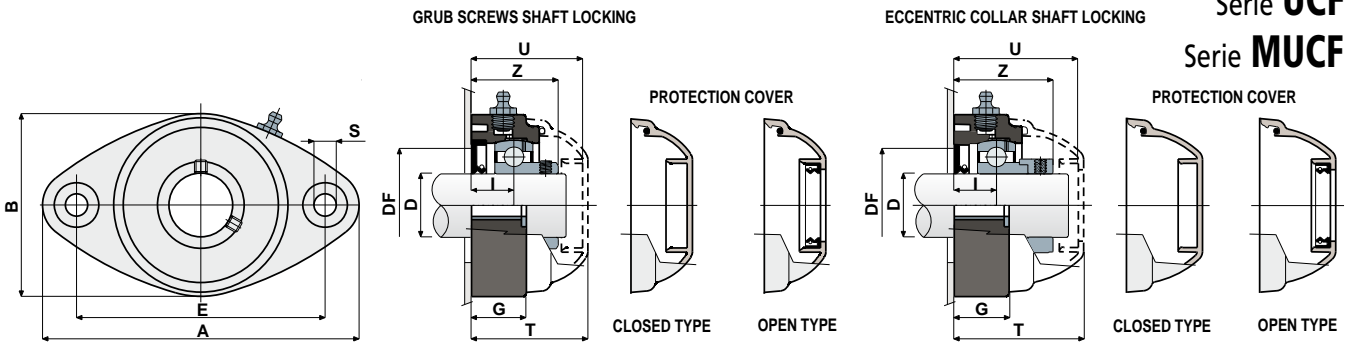
ON REQUEST: Versions with body in polypropylene + glass fiber and antibacterial additive; protection covers in different colours and with customized brand; box quantity according to your request; Viton gaskets.



Oval flanged bearing supports

Technical data

Serie UCFL/CX
Serie MUCFL/CX



GRUB SCREWS SHAFT LOCKING

D		SERIE	Support CODES										CHROME STEEL BEARING					COVER CODES											
			Standard bearing			Long Life bearing			DIMENSIONS (mm)										Bearing load (N)		Bearing support load		GREY RAL 7042 BLUE RAL 5015 ORANGE RAL 2004 RED RAL 3000						
			Black	White	Blue Ral 5005	Black	White	Blue Ral 5005	E	A	B	S	G	I	Z	U	T	DF	C	CO	(N)	Closed		Open					
20	UCFL 204 CX	80264	84660	87166	89707	89712	89723	90	118	64	10,5	19	15,5	33,5	44	46,5	45					40	12800	6600	8500	80254	80255	87259	83901

ECCENTRIC COLLAR SHAFT LOCKING

D		SERIE	Support CODES						CHROME STEEL BEARING										Bearing load (N)		Bearing support load		COVER CODES						
			Standard bearing			Long Life bearing			DIMENSIONS (mm)										C	CO	(N)	GREY RAL 7042							
			Black	White	Blue Ral 5005	Black	White	Blue Ral 5005	E	A	B	S	G	I	Z	U	T	Max				Min	Closed	Open					
20	UCFL 204 CX	88488	88497	88508	89734	89745	89756	90	118	64	10,5	19	15,5	39	51	53,5	45	40	12800	6600	8500	88371	88372						

GRUB SCREWS SHAFT LOCKING

D		SERIE	Support CODES						STAINLESS STEEL BEARING AISI 440										Bearing load (N)		Bearing support load		COVER CODES						
			Standard bearing			Long Life bearing			DIMENSIONS (mm)										C	CO	(N)	GREY RAL 7042		BLUE RAL 5015		ORANGE RAL 2004		RED RAL 3000	
			Black	White	Blue Ral 5005	Black	White	Blue Ral 5005	E	A	B	S	G	I	Z	U	T	Max				Min	Closed	Open	Closed	Open	Closed	Open	Closed
20	UCFL 204 CX	81053	84664	87707	89767	85512	88319	90	118	64	10,5	19	15,5	33,5	44	46,5	45	40	8300	6600	8500	80254	80255	87259	83901	82305	82306	87540	87541

GRUB SCREWS SHAFT LOCKING - VERSIONS WITH MEASURES IN INCHES

D		SERIE	Support CODES						CHROME STEEL BEARING										Bearing load (N)		Bearing support load		COVER CODES							
			Standard bearing			Long Life bearing			DIMENSIONS (mm)										C	CO	(N)	GREY RAL 7042		BLUE RAL 5015		ORANGE RAL 2004		RED RAL 3000		
			(inches)	(mm)	Black	White	Blue Ral 5005	Black	White	Blue Ral 5005	E	A	B	S	G	I	Z	U				T	Max	Min	Closed	Open	Closed	Open	Closed	Open
1"	25,4	UCFL 205 CX	84510	84899	87719	89794	89798	89802	99	131	72	10,5	22	17	36	47	49	50	45	14000	7800	10000	80075	85202	85384	87273	82276	87660	87542	87663

Inch dimensions conform to the British Imperial system



Oval flanged bearing supports (Solid)

Serie **UCFL/CX**
Serie **MUCFL/CX**

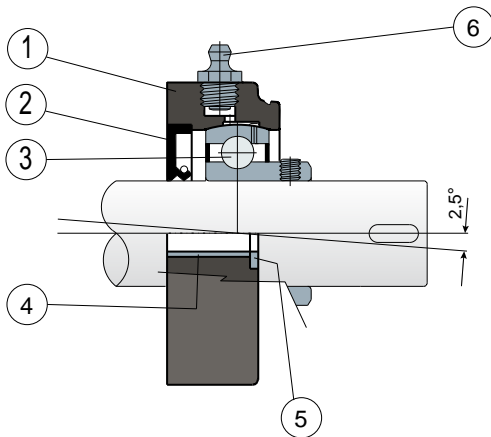


Self-aligning bearings with Solid body: completely closed surface to guarantee the max hygiene.

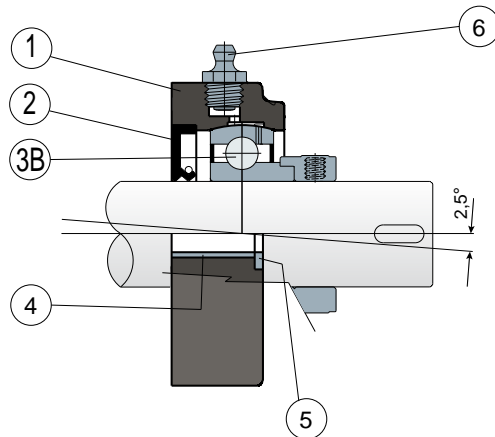


Long Life bearings: life long lubrication.

Grub screws shaft locking - Without protection cover



Eccentric collar shaft locking - Without protection cover



- 1) Housing made out of blue Ral 5005 colour polyamide reinforced with glass fibers.
- 2) Back gasket made out of NBR rubber for turning shaft seal.
- 3) Chrome steel or stainless steel bearing AISI 440.
- 3B) Chrome steel bearing.
- 4) Spacer for fixing reinforcement made out of stainless steel AISI 304.
- 5) UNI 6592 support washer made out of stainless steel AISI 304.
- 6) Greaser, straight type with 1/8 gas thread, made out of nickel-plated brass (absent in the versions with Long Life bearing).

NOTE: The protection cover can be ordered separately as an accessory; in the Long Life version, the greaser is absent and the lubrication channel is protected by a rubber cap.

Support dimensions respect ISO 3228 set of rules.

Maximum shaft alignment error 2,5°

For further information please contact our technical office or sales department.

MATERIALS: Housing is made out of PA + glass fiber in blue Ral 5005 colour; bearing with grub screws shaft locking in chrome steel or stainless steel; bearing with eccentric collar shaft locking in chrome steel; greaser made out of nickel plated brass; reinforcement bushings and washers made out of stainless steel AISI 304; gaskets made out of NBR rubber; cover made out of polypropylene grey Ral 7042, blue Ral 5015, orange Ral 2004 or red Ral 3000 colour.

FEATURES: The protection cover can be ordered separately as an accessory. This part is moulded without internal cavities in order to obtain the best sanification. Assembly with not shouldered shafts. Maximum shaft alignment error 2.5°.

BOX QUANTITY: 8 pieces.

ON REQUEST: Versions with body in polypropylene + glass fiber and antibacterial additive; housing in black colour polyamide reinforced with glass fibers; protection covers in different colours and with customized brand; box quantity according to your request; Viton gaskets; available without NBR rubber back gasket for turning shaft seal.



Oval flanged bearing supports (Solid)

Serie **UCFL/CX**



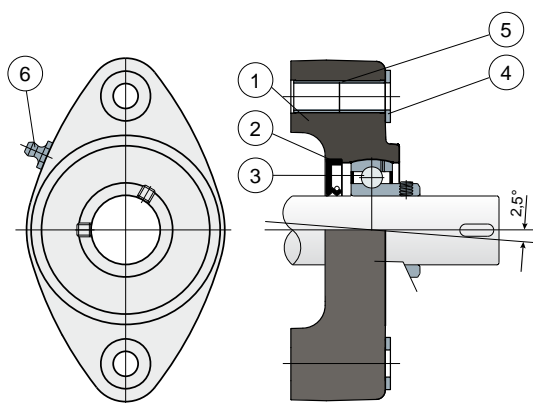
Self-aligning bearings with Solid body: completely closed surface to guarantee the max hygiene.



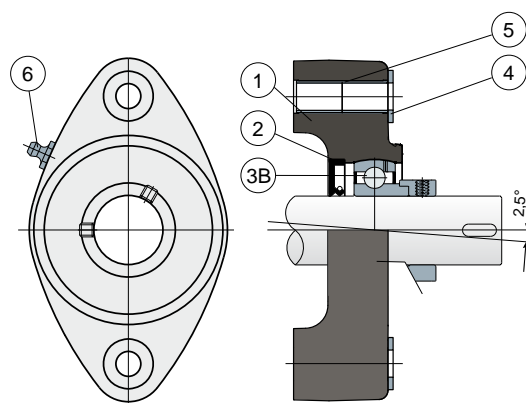
Long Life bearings: life long lubrication.



Grub screws shaft locking - Without protection cover



Eccentric collar shaft locking - Without protection cover



- 1) Housing made out of blue Ral 5005 colour polyamide reinforced with glass fibers.
- 2) Back gasket made out of NBR rubber for turning shaft seal.
- 3) Chrome steel or stainless steel bearing AISI 440.
- 3B) Chrome steel bearing.
- 4) UNI 6592 support washer made out of stainless steel AISI 304.
- 5) Spacer for fixing reinforcement made out of stainless steel AISI 304.
- 6) Greaser, straight type with 1/8 gas thread, made out of stainless steel AISI 303 (absent in the versions with Long Life bearing).

NOTE: The protection cover can be ordered separately as an accessory; in the Long Life version, the greaser is absent and the lubrication channel is protected by a rubber cap.

Support dimensions respect ISO 3228 set of rules.

Maximum shaft alignment error 2,5°

For further information please contact our technical office or sales department.

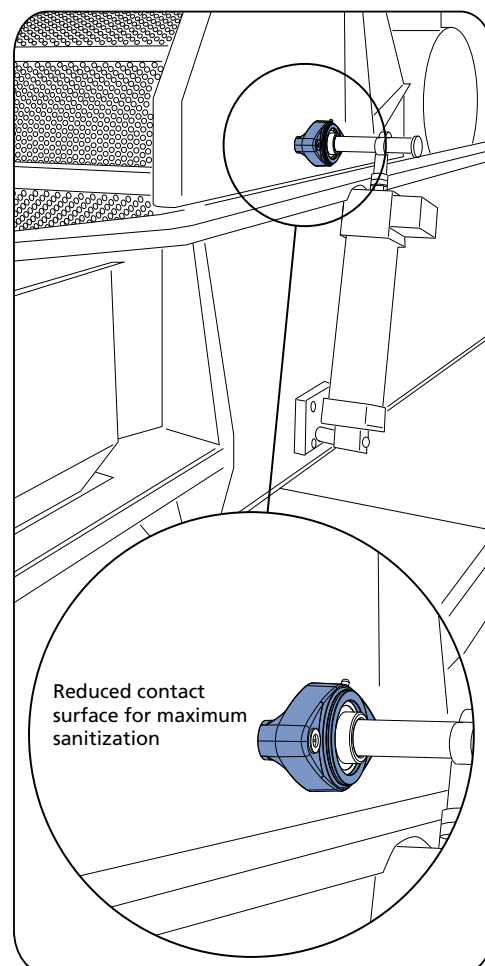
MATERIALS: Support made out of blue Ral 5005 colour PA + glass fiber; bearing with grub screws shaft locking in chrome steel or stainless steel; bearing with eccentric collar shaft locking in chrome steel; greaser made out of stainless steel; reinforcement bushings and washers made out of stainless steel AISI 304; gaskets made out of NBR rubber; cover made out of polypropylene grey Ral 7042, blue Ral 5015, orange Ral 2004, red Ral 3000 colour.

FEATURES: The protection cover can be ordered separately as an accessory. Assembly with not shouldered shafts. The reduced contact surface of the base of the support allows maximum sanitification. Maximum shaft alignment error 2.5°.

BOX QUANTITY: 8 pieces.

ON REQUEST: Versions with body in polypropylene + glass fiber and antibacterial additive; protection covers in different colours and with customized brand; box quantity according to your request; Viton gaskets; available without NBR rubber back gasket for turning shaft seal.

Example of application

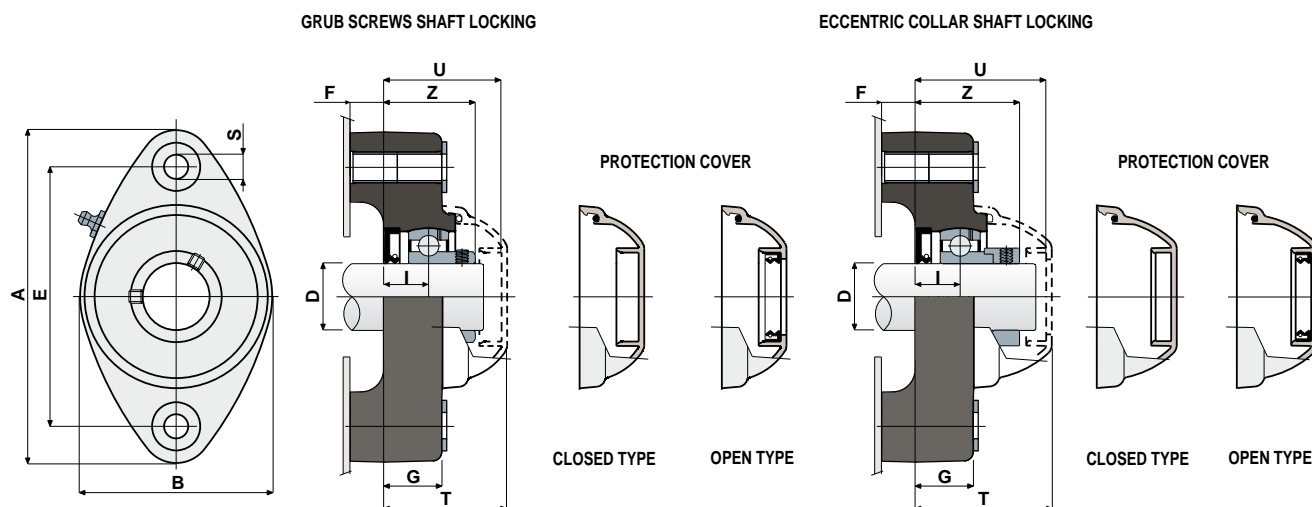




Oval flanged bearing supports (Solid)

Technical data

Serie **UCFL/CX**



GRUB SCREWS SHAFT LOCKING

		CHROME STEEL BEARING													COVER CODES											
D	SERIE	Support CODES		DIMENSIONS (mm)											Bearing load (N)		Bearing support load		GREY RAL 7042		BLUE RAL 5015		ORANGE RAL 2004		RED RAL 3000	
		Standard bearing	Long Life bearing	E	A	B	S	F	G	I	Z	U	T	C	CO	(N)	Closed	Open	Closed	Open	Closed	Open	Closed	Open		
		Blue Ral 5005																								
25	UCFL 205 CX	88637	89840	99	131	72	10,5	15	22	17,4	37	47	49,5	14000	7800	10000	80075	80076	85384	85385	82276	82277	87542	87543		
30	UCFL 206 CX	87427	89841	117	149	86	10,5	15	26	20	42	53	56	19500	11300	13000	80011	80053	84100	80354	82278	82279	87531	87530		

ECCENTRIC COLLAR SHAFT LOCKING

		CHROME STEEL BEARING													COVER CODES					
D	SERIE	Support CODES		DIMENSIONS (mm)											Bearing load (N)		Bearing support load		GREY RAL 7042	
		Standard bearing	Long Life bearing	E	A	B	S	F	G	I	Z	U	T	C	CO	(N)	Closed	Open		
		Blue Ral 5005																		
25	UCFL 205 CX	88649	89842	99	131	72	10,5	15	22	17,4	41	52,6	55	14000	7800	10000	88373	88374		
30	UCFL 206 CX	88551	89843	117	149	86	10,5	15	26	20	46,7	59,2	61,8	19500	11300	13000	88375	88376		

GRUB SCREWS SHAFT LOCKING

		STAINLESS STEEL BEARING AISI 440													COVER CODES											
D	SERIE	Support CODES		DIMENSIONS (mm)											Bearing load (N)		Bearing support load		GREY RAL 7042		BLUE RAL 5015		ORANGE RAL 2004		RED RAL 3000	
		Standard bearing	Long Life bearing	E	A	B	S	F	G	I	Z	U	T	C	CO	(N)	Closed	Open	Closed	Open	Closed	Open	Closed	Open		
		Blue Ral 5005																								
25	UCFL 205 CX	88638	89844	99	131	72	10,5	15	22	17,4	37	47	49,5	9150	7800	10000	80075	80076	85384	85385	82276	82277	87542	87543		
30	UCFL 206 CX	87751	89845	117	149	86	10,5	15	26	20	42	53	56	12500	11200	13000	80011	80053	84100	80354	82278	82279	87531	87530		



Oval flanged bearing supports

Serie **UCFL**
Serie **MUCFL**



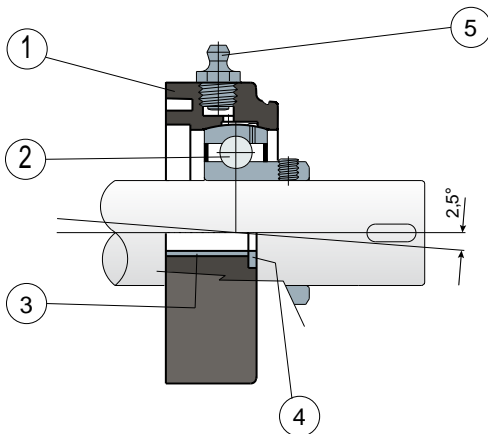
Self-aligning bearings with Solid body: completely closed surface to guarantee the max hygiene.



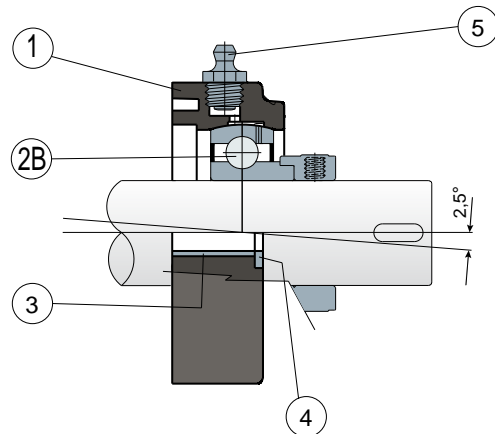
Long Life bearings: life long lubrication.



Grub screws shaft locking - Without cover and back gasket



Eccentric collar shaft locking - Without cover and back gasket



- 1) Housing made out of black, white or blue Ral 5005 colour polyamide reinforced with glass fibers.
- 2) Chrome steel or stainless steel bearing AISI 440.
- 2B) Chrome steel bearing.
- 3) Spacer for fixing reinforcement made out of stainless steel AISI 304.
- 4) UNI 6592 support washer made out of stainless steel AISI 304.
- 5) Greaser, straight type with 1/8 gas thread, made out of nickel-plated brass (absent in the versions with Long Life bearing).

NOTE: The back gasket and the protection cover can be ordered separately as accessories; in the Long Life version, the greaser is absent and the lubrication channel is protected by a rubber cap.

Support dimensions respect ISO 3228 set of rules.
Maximum shaft alignment error 2,5°
For further information please contact our technical office or sales department.

MATERIALS: Housing is made out of PA + glass fiber in black, white or blue Ral 5005 colours; bearing with grub screws shaft locking in chrome steel or stainless steel; bearing with eccentric collar shaft locking in chrome steel; greaser made out of nickel plated brass; reinforcement bushings and washers made out of stainless steel AISI 304; gaskets made out of NBR rubber; cover made out of polypropylene grey Ral 7042, blue Ral 5015, orange Ral 2004 or red Ral 3000 colour.
FEATURES: The back gasket and the protection cover can be ordered separately as accessories. Assembly with shouldered and not shouldered shafts. Maximum shaft alignment error 2.5°.
BOX QUANTITY: 8 pieces.
ON REQUEST: Versions with body in polypropylene + glass fiber and antibacterial additive; protection covers in different colours and with customized brand; box quantity according to your request; Viton gaskets.



Oval flanged bearing supports

Serie **UCFL/CS**
Serie **MUCFL/CS**



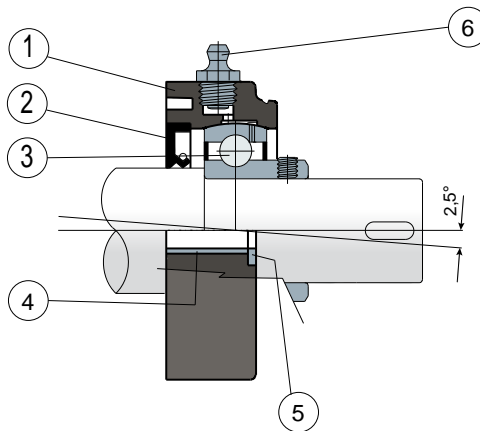
Self-aligning bearings with Solid body: completely closed surface to guarantee the max hygiene.



Long Life bearings: life long lubrication.



Back gasket for shouldered shaft



- 1) Housing made out of black, white or blue Ral 5005 colour polyamide reinforced with glass fibers.
- 2) Back gasket made out of NBR rubber for turning shaft seal.
- 3) Chrome steel or stainless steel bearing AISI 440.
- 4) Spacer for fixing reinforcement made out of stainless steel AISI 304.
- 5) UNI 6592 support washer made out of stainless steel AISI 304.
- 6) Greaser, straight type with 1/8 gas thread, made out of nickel-plated brass (absent in the versions with Long Life bearing).

N.B.: The protection cover can be ordered separately as an accessory; in the Long Life version, the greaser is absent and the lubrication channel is protected by a rubber cap.

Support dimensions respect ISO 3228 set of rules.

Maximum shaft alignment error 2,5°

For further information please contact our technical office or sales department.

MATERIALS: Housing is made out of PA + glass fiber in black, white or blue Ral 5005 colours; chrome steel or stainless steel bearing; greaser made out of nickel plated brass; reinforcement bushings and washers made out of stainless steel AISI 304; gaskets made out of NBR rubber; cover made out of polypropylene grey Ral 7042, blue Ral 5015, orange Ral 2004 or red Ral 3000 colour.

FEATURES: Back gasket for shouldered shafts; the protection cover can be ordered separately as an accessory. Use of shouldered shafts allows a higher capability of axial load. Maximum shaft alignment error 2.5°.

BOX QUANTITY: 8 pieces.

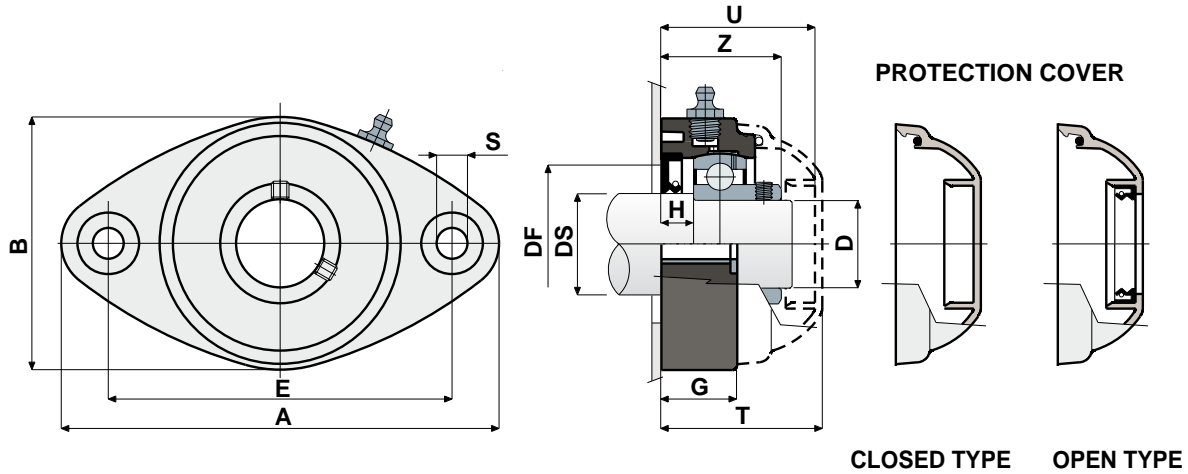
ON REQUEST: Versions with body in polypropylene + glass fiber and antibacterial additive; protection covers in different colours and with customized brand; box quantity according to your request; Viton gaskets.



Oval flanged bearing supports

Technical data

Serie **UCFL/CS**
Serie **MUCFL/CS**



CHROME STEEL BEARING																				COVER CODES												
DS	D	SERIE	Support CODES						DIMENSIONS (mm)								Bearing load (N)	Bearing support load (N)	GREY RAL 7042		BLUE RAL 5015		ORANGE RAL 2004		RED RAL 3000							
			Standard bearing			Long Life bearing			E	A	B	S	G	H	Z	U			T	DF		C	CO	(N)	Closed	Open	Closed	Open	Closed	Open	Closed	Open
			Black	White	Blue Ral 5005	Black	White	Blue Ral 5005												Max	Min											
25	20	UCFL 204 CS	80266	85264	89245	89947	89952	89958	90	118	64	10,5	19	8,5	33,5	44	46,5	45	40	12800	6600	8500	80254	80255	87259	83901	82305	82306	87540	87541		
25	20	MUCFL 204 CS	87219	87220	89247	89948	89953	89959	76,5	100	70	10,5	11	8,5	33,5	44	46,5	45	40	12800	6600	8500	80254	80255	87259	83901	82305	82306	87540	87541		
30	25	UCFL 205 CS	80184	85265	89249	86082	89954	89960	99	131	72	10,5	22	10	36	47	49	50	45	14000	7800	10000	80075	80076	85384	85385	82276	82277	87542	87543		
35	30	UCFL 206 CS	80185	85266	89250	89949	89955	89961	117	149	86	10,5	26	11,5	41	54	56	60	50	19500	11300	13000	80011	80053	84100	80354	82278	82279	87531	87530		
40	35	UCFL 207 CS	80186	85267	89251	89950	89956	89962	130	163	94	10,5	26	10,5	45	57	59	70	55	25500	15300	14000	80077	80078	80969	80275	82284	82285	87544	87545		
45	40	UCFL 208 CS	85233	86004	89252	89951	89957	89963	144	172	100	10,5	27	8,5	48,5	65,5	71	78	65	32500	19800	15000	80256	80257	83088	86722	82280	82281	87528	82804		

STAINLESS STEEL BEARING AISI 440																				COVER CODES												
DS	D	SERIE	Support CODES						DIMENSIONS (mm)								Bearing load (N)	Bearing support load (N)	GREY RAL 7042		BLUE RAL 5015		ORANGE RAL 2004		RED RAL 3000							
			Standard bearing			Long Life bearing			E	A	B	S	G	H	Z	U			T	DF		C	CO	(N)	Closed	Open	Closed	Open	Closed	Open	Closed	Open
			Black	White	Blue Ral 5005	Black	White	Blue Ral 5005												Max	Min											
25	20	UCFL 204 CS	84148	85268	89253	87599	89969	89975	90	118	64	10,5	19	8,5	33,5	44	46,5	45	40	8300	6600	8500	80254	80255	87259	83901	82305	82306	87540	87541		
25	20	MUCFL 204 CS	87229	87230	89254	89964	89970	89976	76,5	100	70	10,5	11	8,5	33,5	44	46,5	45	40	8300	6600	8500	80254	80255	87259	83901	82305	82306	87540	87541		
30	25	UCFL 205 CS	83907	85269	89255	89965	89971	89977	99	131	72	10,5	22	10	36	47	49	50	45	9150	7800	10000	80075	80076	85384	85385	82276	82277	87542	87543		
35	30	UCFL 206 CS	80523	85270	89256	89966	89972	89978	117	149	86	10,5	26	11,5	41	54	56	60	50	12500	11200	13000	80011	80053	84100	80354	82278	82279	87531	87530		
40	35	UCFL 207 CS	84150	85271	89257	89967	89973	89979	130	163	94	10,5	26	10,5	45	57	59	70	55	16600	15300	14000	80077	80078	80969	80275	82284	82285	87544	87545		
45	40	UCFL 208 CS	85234	86005	89258	89968	89974	89980	144	172	100	10,5	27	8,5	48,5	65,5	71	78	65	20000	19000	15000	80256	80257	83088	86722	82280	82281	87528	82804		



Oval flanged bearing supports (Solid)

Serie **UCFL/CA**



On request covers in polypropylene blue Ral 5015 colour.



On request covers in polypropylene orange Ral 2004 colour.



On request covers in polypropylene red Ral 3000 colour.



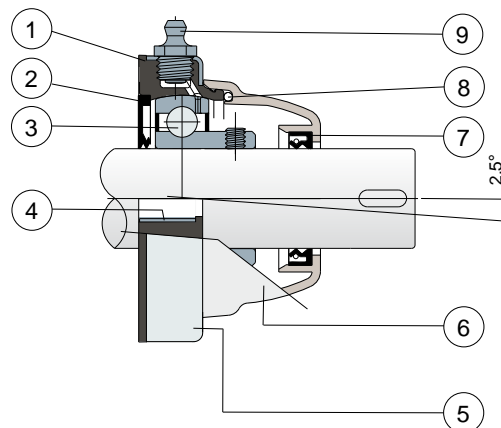
Self-aligning bearings with Solid body: completely closed surface to guarantee the max hygiene.



Long Life bearings: life long lubrication.



External cover made out of stainless steel AISI 304



- 1) Internal body of support made out of black colour polypropylene reinforced with glass fibers.
- 2) Back gasket made out of NBR rubber for turning shaft seal.
- 3) Chrome steel or stainless steel bearing AISI 440.
- 4) Spacer for fixing reinforcement made out of stainless steel AISI 304.
- 5) External cover of support made out of AISI 304 stainless steel.
- 6) Protection cover made out of polypropylene (grey colour Ral 7042).
- 7) Front gasket made out of NBR rubber for turning shaft seal.
- 8) OR gasket made out of NBR rubber.
- 9) Greaser, straight type with 1/8 gas thread, made out of nickel-plated brass (absent in the versions with Long Life bearing).

N.B.: In the Long Life version, the greaser is absent and the lubrication channel is protected by a rubber cap.

Maximum shaft alignment error 2,5°

For further information please contact our technical office or sales department.

MATERIALS: Support made out of black colour PP + glass fiber; external cover of support made out of stainless steel AISI 304; chrome steel or stainless steel bearing; greaser made out of nickel plated brass; reinforcement bushings made out of stainless steel AISI 304; gaskets made out of NBR rubber; protection cover made out of grey RAL 7042 colour polypropylene.

FEATURES: Full protection of bearing against external agents. Housing in polypropylene covered with a layer of AISI 304 stainless steel, to obtain the maximum chemical resistance to antibacterial detergents used in the food processing sector. More over this part is moulded without internal cavities in order to obtain the best sanification. Assembly with not shouldered shaft. Maximum shaft alignment error 2.5°.

BOX QUANTITY: 8 pieces.

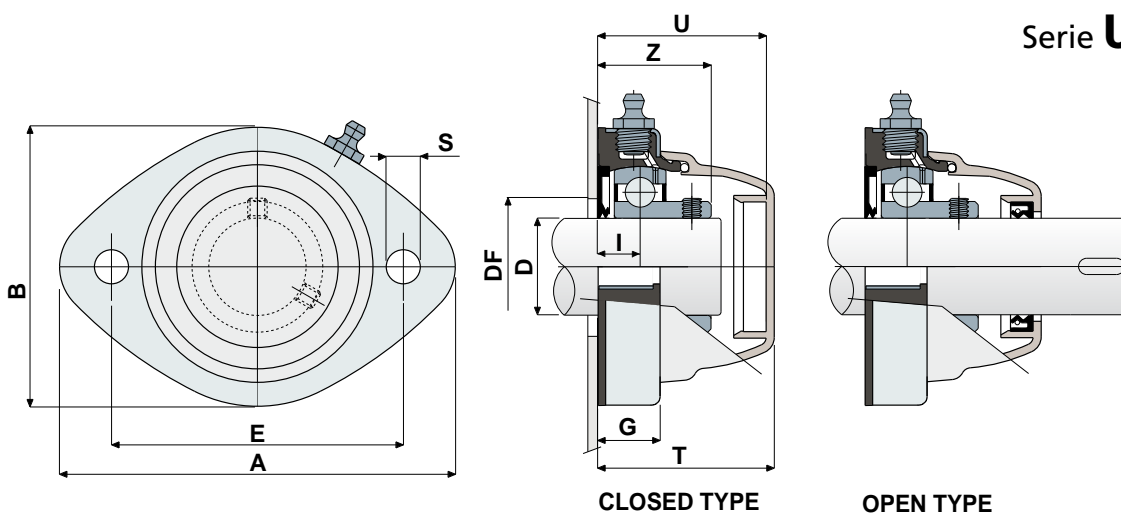
ON REQUEST: Protection covers in different colours and with customized brand; supports with eccentric collar shaft locking with chrome steel bearing; internal body in reinforced polypropylene white or blue Ral 5005 colour; box quantity according to your request; Viton gaskets.



Oval flanged bearing supports (Solid)

Technical data

Serie **UCFL/CA**



CHROME STEEL BEARING																			
D	SERIE	CODES				DIMENSIONS (mm)										Bearing load (N)		Bearing support load	
		Standard bearing		Long Life bearing		E	A	B	S	G	I	Z	U	T	DF		C	CO	(N)
		Closed	Open	Closed	Open										Max	Min			
30	UCFL 206 CA	84021	83999	87235	87237	117	147	112	11	27	21	42	65,5	68	60	50	19500	11300	13000
35	UCFL 207 CA	84022	84000	88818	88817	117	147	112	11	27	20	45,3	65,5	68	70	55	25500	15300	14000
40	UCFL 208 CA	84023	84001	89981	89982	117	147	112	11	27	20	48,5	65,5	68	78	65	32500	19800	15000

STAINLESS STEEL BEARING AISI 440																			
D	SERIE	CODES				DIMENSIONS (mm)										Bearing load (N)		Bearing support load	
		Standard bearing		Long Life bearing		E	A	B	S	G	I	Z	U	T	DF		C	CO	(N)
		Closed	Open	Closed	Open										Max	Min			
30	UCFL 206 CA	84024	84002	84990	84989	117	147	112	11	27	21	42	65,5	68	60	50	12500	11200	13000
35	UCFL 207 CA	84006	84003	87363	87362	117	147	112	11	27	20	45,3	65,5	68	70	55	16600	15300	14000
40	UCFL 208 CA	84010	84005	89983	84993	117	147	112	11	27	20	48,5	65,5	68	78	65	20000	19000	15000

VERSIONS WITH MEASURES IN INCHES

CHROME STEEL BEARING																				
D	SERIE	CODES				DIMENSIONS (mm)										Bearing load (N)		Bearing support load		
		Standard bearing		Long Life bearing		E	A	B	S	G	I	Z	U	T	DF		C	CO	(N)	
		(inches)	(mm)	Closed	Open										Closed	Open				Max
1"1/4	31,75	UCFL 206 CA	84521	84541	89984	89985	117	147	112	11	27	21	42	65,5	68	60	50	19500	11300	13000

Inch dimensions conform to the British Imperial system



Oval flanged bearing supports (Solid)

Serie **UCFL/CXA**



Self-aligning bearings with Solid body: completely closed surface to guarantee the max hygiene.

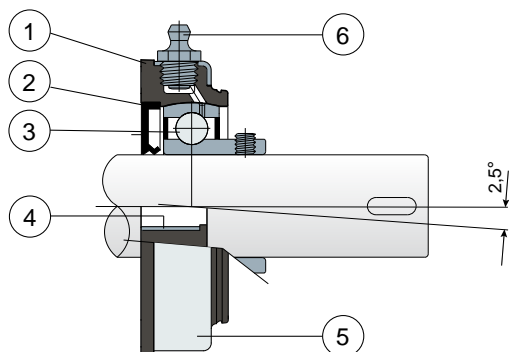


Long Life bearings: life long lubrication.



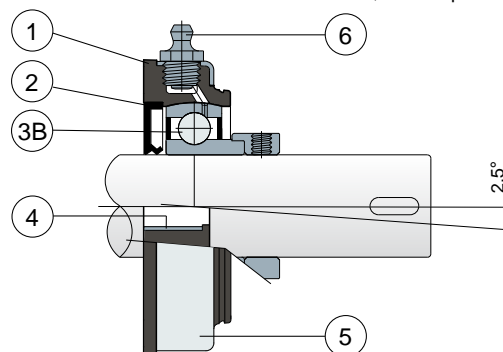
Grub screws shaft locking

External cover made out of stainless steel AISI 304; without protection cover



Eccentric collar shaft locking

External cover made out of stainless steel AISI 304; without protection cover



- 1) Internal body of support made out of black colour polypropylene reinforced with glass fibers.
- 2) Back gasket made out of NBR rubber for turning shaft seal.
- 3) Chrome steel or stainless steel bearing AISI 440.
- 3B) Chrome steel bearing.
- 4) Spacer for fixing reinforcement made out of stainless steel AISI 304.
- 5) External cover of support made out of AISI 304 stainless steel.
- 6) Greaser, straight type with 1/8 gas thread, made out of nickel-plated brass (absent in the versions with Long Life bearing).

NOTE: The protection cover can be ordered separately as an accessory; in the Long Life version, the greaser is absent and the lubrication channel is protected by a rubber cap.

Maximum shaft alignment error 2,5°

For further information please contact our technical office or sales department.

MATERIALS: Support made out of black colour PP + glass fiber; external cover of support made out of stainless steel AISI 304; bearing with grub screws shaft locking in chrome steel or stainless steel; bearing with eccentric collar shaft locking in chrome steel; greaser made out of nickel plated brass; reinforcement bushings made out of stainless steel AISI 304; gaskets made out of NBR rubber; protection cover made out of polypropylene grey Ral 7042, blue Ral 5015, orange Ral 2004 or red Ral 3000 colour.

FEATURES: The protection cover can be ordered separately as an accessory. Housing in polypropylene covered with a layer of AISI 304 stainless steel, to obtain the maximum chemical resistance to antibacterial detergents used in the food processing sector. More over this part is moulded without internal cavities in order to obtain the best sanitation. Assembly with not shouldered shaft. Maximum shaft alignment error 2.5°.

BOX QUANTITY: 8 pieces.

ON REQUEST: Protection covers in different colours and with customized brand; internal body in reinforced polypropylene white or blue Ral 5005 colour; box quantity according to your request; Viton gaskets.



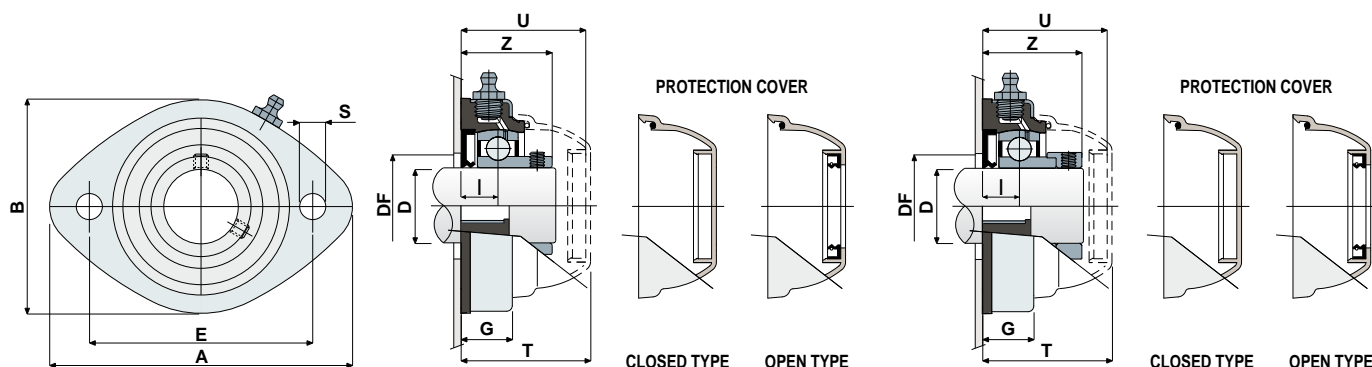
Oval flanged bearing supports (Solid)

Technical data

Serie UCFL/CXA

GRUB SCREWS SHAFT LOCKING

ECCENTRIC COLLAR SHAFT LOCKING



GRUB SCREWS SHAFT LOCKING

D	SERIE	CHROME STEEL BEARING											COVER CODES												
		Support CODES		DIMENSIONS (mm)									Bearing load (N)		Bearing support load		GREY RAL 7042		BLUE RAL 5015		ORANGE RAL 2004		RED RAL 3000		
		Standard bearing	Long Life bearing	E	A	B	S	G	I	Z	U	T	DF		C	CO	(N)	Closed	Open	Closed	Open	Closed	Open	Closed	Open
30	UCFL 206 CXA	84007	89099	117	147	112	11	27	21	42	65,5	68	60	50	19500	11300	13000	Closed	Open	Closed	Open	Closed	Open	Closed	Open
35	UCFL 207 CXA	84008	89986	117	147	112	11	27	20	45,3	65,5	68	70	55	25500	15300	14000	80256	80495	83088	87277	82280	87557	87528	87529
40	UCFL 208 CXA	84009	89987	117	147	112	11	27	19,5	48,5	65,5	68	78	65	32500	19800	15000	80257	80495	86722	86722	82281	82281	82804	82804

ECCENTRIC COLLAR SHAFT LOCKING

D	SERIE	CHROME STEEL BEARING											COVER CODES						
		Support CODES		DIMENSIONS (mm)									Bearing load (N)		Bearing support load		GREY RAL 7042		
		Standard bearing	Long Life bearing	E	A	B	S	G	I	Z	U	T	DF		C	CO	(N)	Closed	Open
30	UCFL 206 CXA	88552	89988	117	147	112	11	27	21	47,7	65,5	68	60	50	19500	11300	13000	Closed	Open
35	UCFL 207 CXA	88553	89989	117	147	112	11	27	20	49,3	65,5	68	70	55	25500	15300	14000	80256	80495
40	UCFL 208 CXA	88554	89990	117	147	112	11	27	19,5	52,2	65,5	68	78	65	32500	19800	15000	80257	80257

GRUB SCREWS SHAFT LOCKING

D	SERIE	STAINLESS STEEL BEARING AISI 440											COVER CODES												
		Support CODES		DIMENSIONS (mm)									Bearing load (N)		Bearing support load		GREY RAL 7042		BLUE RAL 5015		ORANGE RAL 2004		RED RAL 3000		
		Standard bearing	Long Life bearing	E	A	B	S	G	I	Z	U	T	DF		C	CO	(N)	Closed	Open	Closed	Open	Closed	Open	Closed	Open
30	UCFL 206 CXA	84011	87257	117	147	112	11	27	21	42	65,5	68	60	50	12500	11200	13000	Closed	Open	Closed	Open	Closed	Open	Closed	Open
35	UCFL 207 CXA	84012	85313	117	147	112	11	27	20	45,3	65,5	68	70	55	16600	15300	14000	80256	80495	83088	87277	82280	87557	87528	87529
40	UCFL 208 CXA	84013	87258	117	147	112	11	27	19,5	48,5	65,5	68	78	65	20000	19000	15000	80257	80495	86722	86722	82281	82281	82804	82804

GRUB SCREWS SHAFT LOCKING - VERSIONS WITH MEASURES IN INCHES

D	SERIE	CHROME STEEL BEARING											COVER CODES													
		Support CODES		DIMENSIONS (mm)									Bearing load (N)		Bearing support load		GREY RAL 7042		BLUE RAL 5015		ORANGE RAL 2004		RED RAL 3000			
		Standard bearing	Long Life bearing	E	A	B	S	G	I	Z	U	T	DF		C	CO	(N)	Closed	Open	Closed	Open	Closed	Open	Closed	Open	
1 1/4	31,75	UCFL 206 CXA	84522	89991	117	147	112	11	27	21	42	65,5	68	60	50	19500	11300	13000	80256	85204	83088	87275	82280	87662	87528	87665

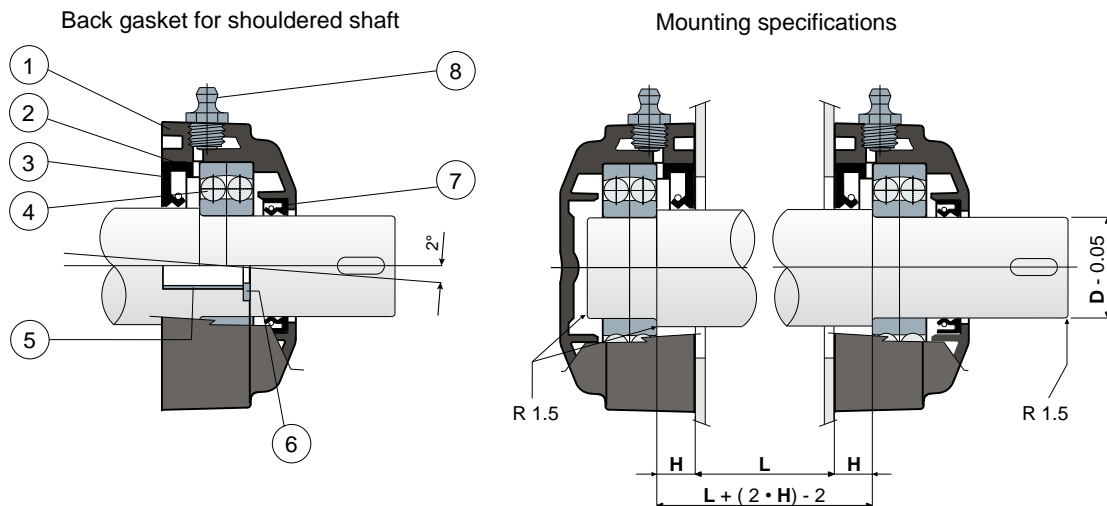
Inch dimensions conform to the British Imperial system

Oval flanged bearing supports

Serie **FL**



The bearing cover integrated into the body of the support guarantees maximum sanitation



- 1) Housing made out of black or white colour polyamide reinforced with glass fibers.
- 2) Intermediate bearing ring spacer made out of black colour polyamide reinforced with glass fibers.
- 3) Back gasket made out of NBR rubber for turning shaft seal.
- 4) Chrome steel bearing type 1200 supplied without lubricant.
- 5) Spacer for fixing reinforcement made out of stainless steel AISI 304.
- 6) UNI 6592 support washer made out of stainless steel AISI 304.
- 7) Front gasket made out of NBR rubber for turning shaft seal.
- 8) Greaser, straight type with 1/8 gas thread, made out of nickel-plated brass.

Support dimensions respect ISO 3228 set of rules

Maximum shaft alignment error 2°

For further information please contact our technical office or sales department.

MATERIALS: Housing is made out of PA + glass fiber in black or white colours; Intermediate bearing ring spacer made out of black colour PA + glass fiber; chrome steel bearing; greaser made out of nickel plated brass; reinforcement bushings and washers made out of stainless steel AISI 304; gaskets made out of NBR rubber.

FEATURES: Back gasket for shouldered shafts. Use of shouldered shafts allows a higher capability of axial load. Maximum shaft alignment error 2° .

BOX QUANTITY: 8 pieces.

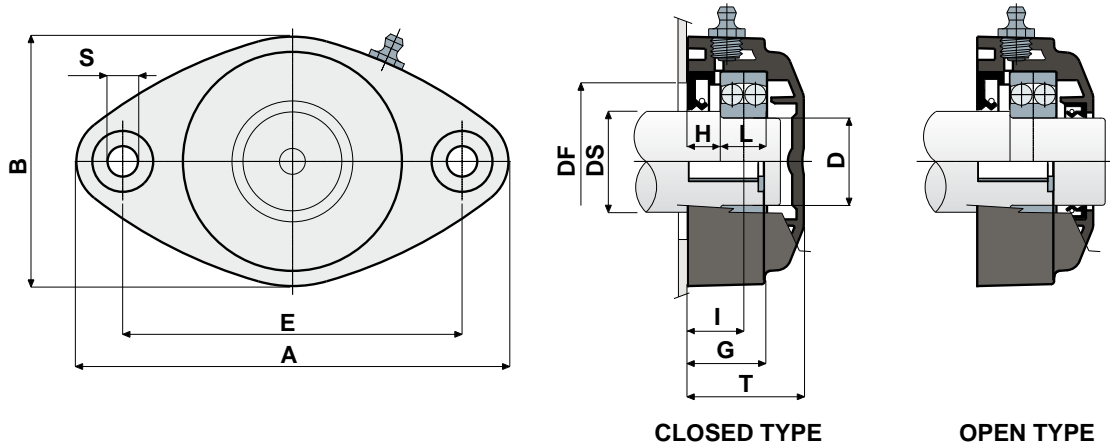
ON REQUEST: Versions with body in polypropylene + glass fiber and antibacterial additive; box quantity according to your request; Viton gaskets.



Oval flanged bearing supports

Technical data

Serie **FL**



CHROME STEEL BEARING																				
DS	D	SERIE	CODES				DIMENSIONS (mm)											Bearing load (N)		Bearing support load (N)
			Black		White		E	A	B	S	G	H	I	L	T	DF		C	CO	
			Closed	Open	Closed	Open										Max	Min			
30	25	FL 1205	87493	87499	87494	87500	99	131	72	10,5	22	11	18,8	15	36,5	50	45	14300	4000	11500
35	30	FL 1206	87505	87511	87506	87512	117	149	86	10,5	26	11	19,3	16	40	60	50	15600	4650	12650



Side flanged bearing supports

Serie **UCFB/C**



On request covers in polypropylene blue Ral 5015 colour.



On request covers in polypropylene orange Ral 2004 colour.



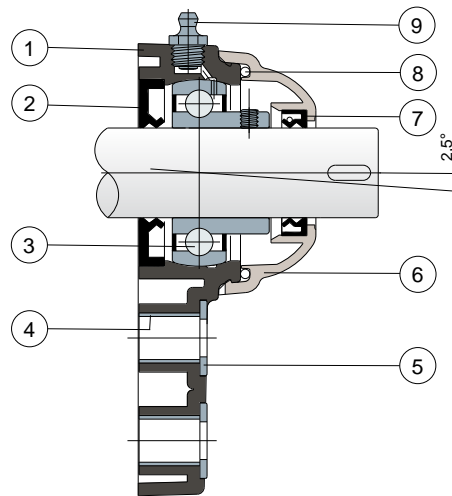
On request covers in polypropylene red Ral 3000 colour.



Long Life bearings: life long lubrication.



Full protection of bearing



- 1) Housing made out of black or white colour polyamide reinforced with glass fibers.
- 2) Back gasket made out of NBR rubber for turning shaft seal.
- 3) Chrome steel or stainless steel bearing AISI 440.
- 4) Spacer for fixing reinforcement made out of stainless steel AISI 304.
- 5) UNI 6592 support washer made out of stainless steel AISI 304.
- 6) Protection cover made out of polypropylene (grey colour Ral 7042).
- 7) Front gasket made out of NBR rubber for turning shaft seal.
- 8) OR gasket made out of NBR rubber
- 9) Greaser, straight type with 1/8 gas thread, made out of nickel-plated brass (absent in the versions with Long Life bearing).

N.B.: In the Long Life version, the greaser is absent and the lubrication channel is protected by a rubber cap.

Maximum shaft alignment error 2,5°

For further information please contact our technical office or sales department.

MATERIALS: Housing is made out of PA + glass fiber in black or white colours; chrome steel or stainless steel bearing, greaser made out of nickel plated brass; reinforcement bushings and washers made out of stainless steel AISI 304; gaskets made out of NBR rubber; cover made out of grey RAL 7042 colour polypropylene.

FEATURES: Full protection of bearing against external agents. Assembly with not shouldered shafts. Maximum shaft alignment error 2.5°.

BOX QUANTITY: 8 pieces.

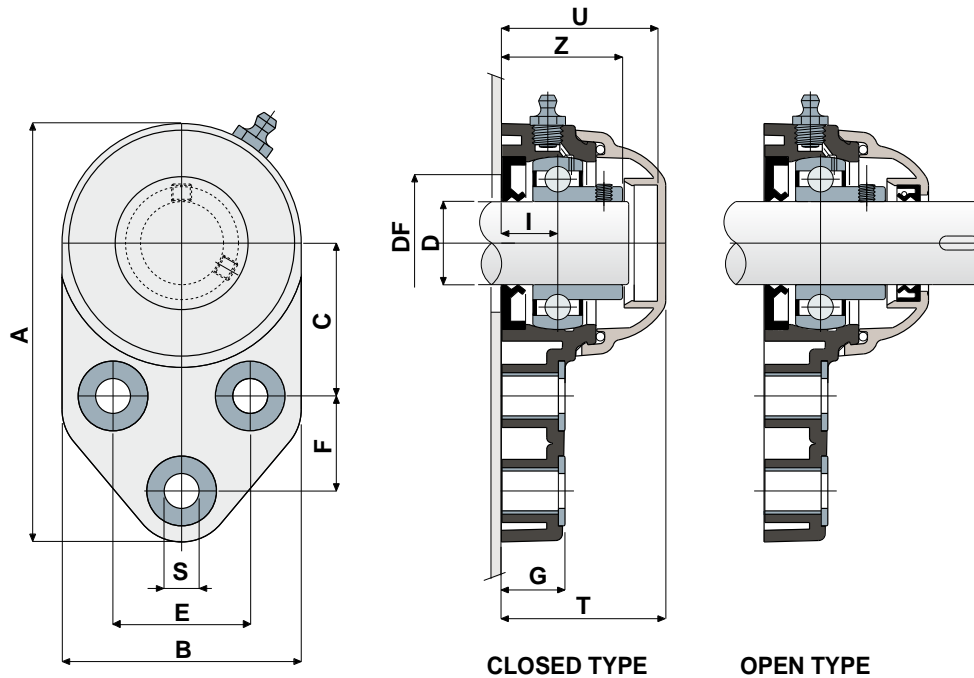
ON REQUEST: Versions with body in polypropylene + glass fiber and antibacterial additive; supports with eccentric collar shaft locking with chrome steel bearing; protection covers in different colours and with customized brand; box quantity according to your request; Viton gaskets.



Side flanged bearing supports

Technical data

Serie **UCFB/C**



CHROME STEEL BEARING																									
D	SERIE	CODES								DIMENSIONS (mm)												Bearing load (N)		Bearing support load	
		Standard bearing				Long Life bearing				E	A	B	C	F	S	G	I	Z	U	T	DF		C	CO	(N)
		Black		White		Black		White													Max	Min			
		Closed	Open	Closed	Open	Closed	Open	Closed	Open																
20	UCFB 204 C	82862	82861	84718	84719	87423	87422	89993	89998	41,3	126	72	46	28,6	10,5	19	18	36	47	49,5	45	40	12800	6600	8500
25	UCFB 205 C	82771	82770	84720	84721	89992	88668	89994	89999	41,3	126	72	46	28,6	10,5	19	17	36,5	47	49,5	50	45	14000	7800	9000
30	UCFB 206 C	84048	84049	84722	84723	87112	87113	89995	90000	47,6	142	85	52,4	32	10,5	26,3	20,7	41,7	53,2	55,7	60	50	19500	11300	11000
35	UCFB 207 C	84050	84051	84724	84725	87431	87432	89996	90001	51	155	94	60,5	32	10,5	26,3	20	45,3	56,5	59	70	55	25500	15300	13000
40	UCFB 208 C	83031	83033	84726	84727	87429	87430	89997	90002	50	165	100	60,5	41	10,5	26,3	19,5	48,5	65,5	68	78	65	32500	19800	18000

STAINLESS STEEL BEARING AISI 440																									
D	SERIE	CODES								DIMENSIONS (mm)												Bearing load (N)		Bearing support load	
		Standard bearing				Long Life bearing				E	A	B	C	F	S	G	I	Z	U	T	DF		C	CO	(N)
		Black		White		Black		White													Max	Min			
		Closed	Open	Closed	Open	Closed	Open	Closed	Open																
20	UCFB 204 C	82866	82865	84728	84729	85644	85834	90007	90011	41,3	126	72	46	28,6	10,5	19	18	36	47	49,5	45	40	8300	6600	8500
25	UCFB 205 C	82775	82774	84730	84731	85200	85568	90008	90012	41,3	126	72	46	28,6	10,5	19	17	36,5	47	49,5	50	45	9150	7800	9000
30	UCFB 206 C	84052	84053	84732	84733	85836	85837	85838	85839	47,6	142	85	52,4	32	10,5	26,3	20,7	41,7	53,2	55,7	60	50	12500	11200	11000
35	UCFB 207 C	84054	84055	84734	84735	90003	90005	90009	90013	51	155	94	60,5	32	10,5	26,3	20	45,3	56,5	59	70	55	16600	15300	13000
40	UCFB 208 C	83040	83027	84736	84737	90004	90006	90010	90014	50	165	100	60,5	41	10,5	26,3	19,5	48,5	65,5	68	78	65	20000	19000	18000

VERSIONS WITH MEASURES IN INCHES

CHROME STEEL BEARING																										
D	SERIE	CODES								DIMENSIONS (mm)												Bearing load (N)		Bearing support load		
		Standard bearing				Long Life bearing				E	A	B	C	F	S	G	I	Z	U	T	DF		C	CO	(N)	
		Black		White		Black		White													Max	Min				
		Closed	Open	Closed	Open	Closed	Open	Closed	Open																	
1"	25,4	UCFB 205 C	84523	84524	84907	84908	90015	90017	90019	90021	41,3	126	72	46	28,6	10,5	19	17	36,5	47	49,5	50	45	14000	7800	9000
1 1/4"	31,75	UCFB 206 C	84525	84526	84909	84910	90016	90018	90020	90022	47,6	142	85	52,4	32	10,5	26,3	20,7	41,7	53,2	55,7	60	50	19500	11300	11000

Inch dimensions conform to the British Imperial system



Side flanged bearing supports

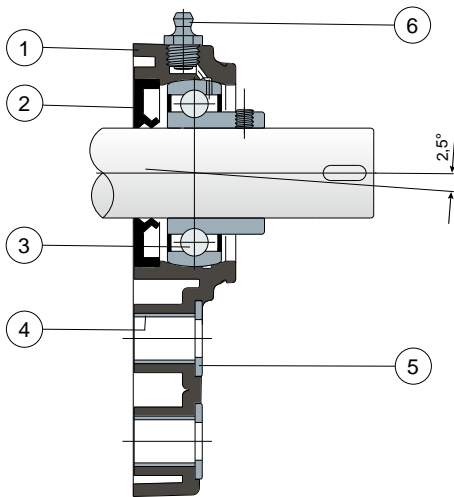
Serie **UCFB/CX**



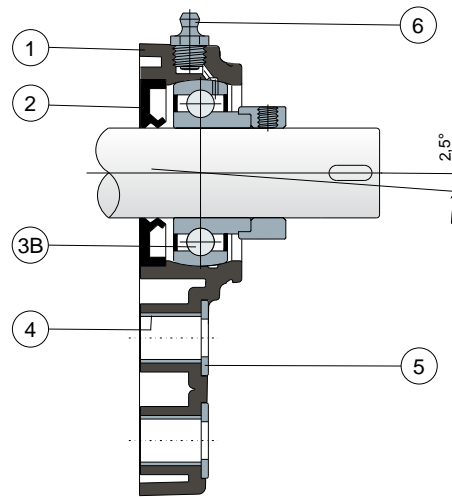
Long Life bearings: life long lubrication.

NEW

Grub screws shaft locking - Without protection cover



Eccentric collar shaft locking - Without protection cover



- 1) Housing made out of black or white colour polyamide reinforced with glass fibers.
- 2) Back gasket made out of NBR rubber for turning shaft seal.
- 3) Chrome steel or stainless steel bearing AISI 440.
- 3B) Chrome steel bearing.
- 4) Spacer for fixing reinforcement made out of stainless steel AISI 304.
- 5) UNI 6592 support washer made out of stainless steel AISI 304.
- 6) Greaser, straight type with 1/8 gas thread, made out of nickel-plated brass (absent in the versions with Long Life bearing).

NOTE: The protection cover can be ordered separately as an accessory; in the Long Life version, the greaser is absent and the lubrication channel is protected by a rubber cap.

Maximum shaft alignment error 2,5°

For further information please contact our technical office or sales department.

MATERIALS: Housing is made out of PA + glass fiber in black or white colours; bearing with grub screws shaft locking in chrome steel or stainless steel; bearing with eccentric collar shaft locking in chrome steel; greaser made out of nickel plated brass; reinforcement bushings and washers made out of stainless steel AISI 304; gaskets made out of NBR rubber; cover made out of polypropylene grey Ral 7042, blue Ral 5015, orange Ral 2004 or red Ral 3000 colour.
FEATURES: The protection cover can be ordered separately as an accessory. Assembly with not shouldered shafts. Maximum shaft alignment error 2.5°.
BOX QUANTITY: 8 pieces.

ON REQUEST: Versions with body in polypropylene + glass fiber and antibacterial additive; protection covers in different colours and with customized brand; box quantity according to your request; Viton gaskets.



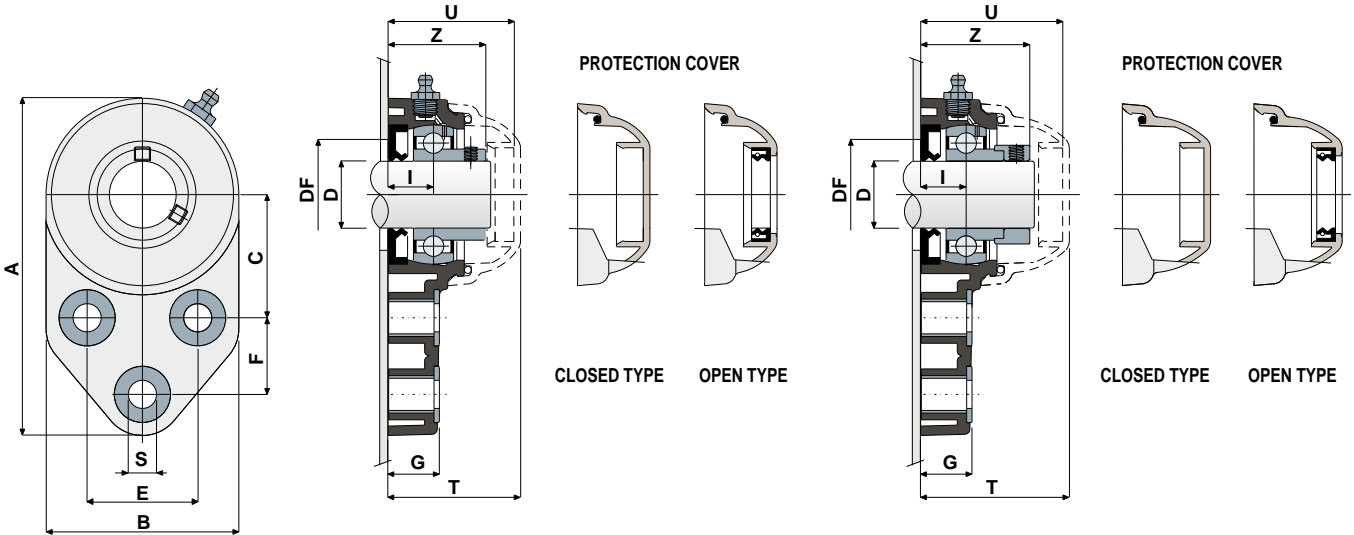
Side flanged bearing supports

Technical data

Serie **UCFB/CX**

GRUB SCREWS SHAFT LOCKING

ECCENTRIC COLLAR SHAFT LOCKING



GRUB SCREWS SHAFT LOCKING

D	SERIE	CHROME STEEL BEARING																COVER CODES											
		Support CODES				DIMENSIONS (mm)												Bearing load (N)			Bearing support load			GREY RAL 7042	BLUE RAL 5015	ORANGE RAL 2004	RED RAL 3000		
		Standard bearing		Long Life bearing		E	A	B	C	F	S	G	I	Z	U	T	DF		C	CO	(N)	Closed	Open	Closed	Open	Closed	Open	Closed	Open
		Black	White	Black	White													Max	Min				Closed	Open	Closed	Open	Closed	Open	
20	UCFB 204 CX	83023	84738	84145	85332	41,3	126	72	46	28,6	10,5	19	18	36	47	49,5	45	40	12800	6600	8500	80254	80255	87259	83901	82305	82306	87540	87541
25	UCFB 205 CX	82772	84739	83899	90023	41,3	126	72	46	28,6	10,5	19	17	36,5	47	49,5	50	45	14000	7800	9000	80075	80076	85384	85385	82276	82277	87542	87543
30	UCFB 206 CX	84056	84740	87450	90024	47,6	142	85	52,4	32	10,5	26,3	20,7	41,7	53,2	55,7	60	50	19500	11300	11000	80011	80053	84100	80354	82278	82279	87531	87530
35	UCFB 207 CX	84057	84741	88348	90025	51	155	94	60,5	32	10,5	26,3	20	45,3	56,5	59	70	55	25500	15300	13000	80077	80078	80969	80275	82284	82285	87544	87545
40	UCFB 208 CX	82478	84742	82479	90026	50	165	100	60,5	41	10,5	26,3	19,5	48,5	65,5	68	78	65	32500	19800	18000	80256	80257	83088	86722	82280	82281	87528	82804

ECCENTRIC COLLAR SHAFT LOCKING

D	SERIE	CHROME STEEL BEARING																COVER CODES						
		Support CODES				DIMENSIONS (mm)												Bearing load (N)			Bearing support load		GREY RAL 7042	
		Standard bearing		Long Life bearing		E	A	B	C	F	S	G	I	Z	U	T	DF		C	CO	(N)	Closed	Open	
		Black	White	Black	White													Max	Min				Closed	Open
20	UCFB 204 CX	88555	88559	90027	90031	41,3	126	72	46	28,6	10,5	19	18	41,5	54	56,5	45	40	12800	6600	8500	88371	88372	
25	UCFB 205 CX	88556	88560	90028	90032	41,3	126	72	46	28,6	10,5	19	17	40,5	52,9	55,4	50	45	14000	7800	9000	88373	88374	
30	UCFB 206 CX	88557	88561	90029	90033	47,6	142	85	52,4	32	10,5	26,3	20,7	47,4	59,4	61,9	60	50	19500	11300	11000	88375	88376	
35	UCFB 207 CX	88558	88562	90030	90034	51	155	94	60,5	32	10,5	26,3	20	49,3	61,3	63,8	70	55	25500	15300	13000	88377	88378	
40	UCFB 208 CX	88332	88563	87596	90035	50	165	100	60,5	41	10,5	26,3	19,5	52,2	65,5	68	78	65	32500	19800	18000	80256	80257	

GRUB SCREWS SHAFT LOCKING

D	SERIE	STAINLESS STEEL BEARING AISI 440																COVER CODES											
		Support CODES				DIMENSIONS (mm)												Bearing load (N)			Bearing support load		GREY RAL 7042	BLUE RAL 5015	ORANGE RAL 2004	RED RAL 3000			
		Standard bearing		Long Life bearing		E	A	B	C	F	S	G	I	Z	U	T	DF		C	CO	(N)	Closed	Open	Closed	Open	Closed	Open	Closed	Open
		Black	White	Black	White													Max	Min				Closed	Open	Closed	Open			
20	UCFB 204 CX	83039	84743	90036	85710	41,3	126	72	46	28,6	10,5	19	18	36	47	49,5	45	40	8300	6600	8500	80254	80255	87259	83901	82305	82306	87540	87541
25	UCFB 205 CX	82776	84744	90037	85386	41,3	126	72	46	28,6	10,5	19	17	36,5	47	49,5	50	45	9150	7800	9000	80075	80076	85384	85385	82276	82277	87542	87543
30	UCFB 206 CX	84058	84745	85835	85711	47,6	142	85	52,4	32	10,5	26,3	20,7	41,7	53,2	55,7	60	50	12500	11200	11000	80011	80053	84100	80354	82278	82279	87531	87530
35	UCFB 207 CX	84059	84746	87584	89141	51	155	94	60,5	32	10,5	26,3	20	45,3	56,5	59	70	55	16600	15300	13000	80077	80078	80969	80275	82284	82285	87544	87545
40	UCFB 208 CX	83041	84747	90038	90039	50	165	100	60,5	41	10,5	26,3	19,5	48,5	65,5	68	78	65	20000	19000	18000	80256	80257	83088	86722	82280	82281	87528	82804

GRUB SCREWS SHAFT LOCKING - VERSIONS WITH MEASURES IN INCHES

D	SERIE	CHROME STEEL BEARING																COVER CODES												
		Support CODES				DIMENSIONS (mm)												Bearing load (N)			Bearing support load		GREY RAL 7042	BLUE RAL 5015	ORANGE RAL 2004	RED RAL 3000				
		Standard bearing		Long Life bearing		E	A	B	C	F	S	G	I	Z	U	T	DF		C	CO	(N)	Closed	Open	Closed	Open	Closed	Open	Closed	Open	
		(inches)	(mm)	Black	White	Black	White													Max	Min				Closed	Open	Closed	Open		
1"	25,4	UCFB 205 CX	84527	84915	90040	90042	41,3	126	72	46	28,6	10,5	19	17	36,5	47	49,5	50	45	14000	7800	9000	80075	85202	85384	87273	82276	87660	87542	87663
1 1/4"	31,75	UCFB 206 CX	84528	84916	90041	90043	47,6	142	85	52,4	32	10,5	26,3	20,7	41,7	53,2	55,7	60	50	19500	11300	11000	80011	85203	84100	87274	82278	87661	87531	87664

Inch dimensions conform to the British Imperial system



Side flanged bearing supports (Solid)

Serie **UCFB/CX**

NEW

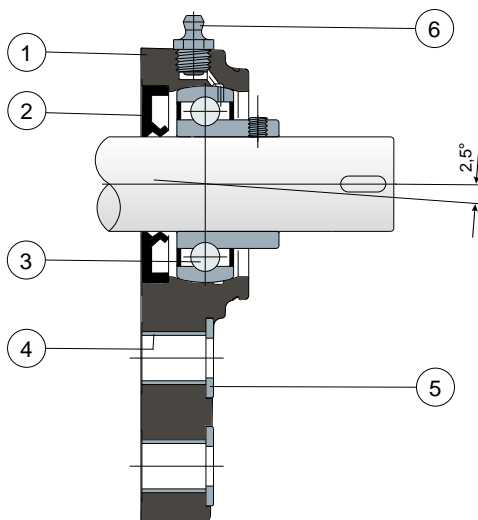


Self-aligning bearings with Solid body: completely closed surface to guarantee the max hygiene.

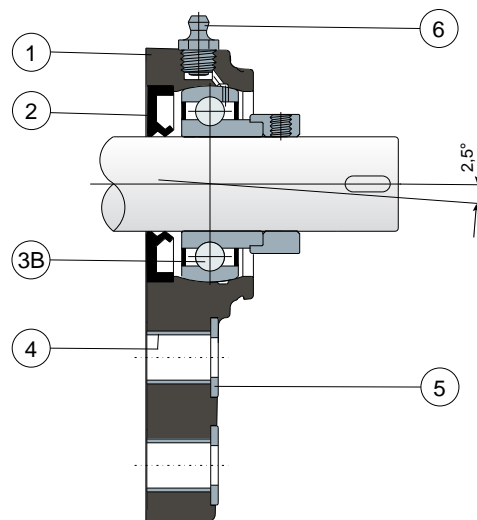


Long Life bearings: life long lubrication.

Grub screws shaft locking - Without protection cover



Eccentric collar shaft locking - Without protection cover



- 1) Housing made out of blue Ral 5005 colour polyamide reinforced with glass fibers.
- 2) Back gasket made out of NBR rubber for turning shaft seal.
- 3) Chrome steel or stainless steel bearing AISI 440.
- 3B) Chrome steel bearing.
- 4) Spacer for fixing reinforcement made out of stainless steel AISI 304.
- 5) UNI 6592 support washer made out of stainless steel AISI 304.
- 6) Greaser, straight type with 1/8 gas thread, made out of nickel-plated brass (absent in the versions with Long Life bearing).

NOTE: The protection cover can be ordered separately as an accessory; in the Long Life version, the greaser is absent and the lubrication channel is protected by a rubber cap.

Support dimensions respect ISO 3228 set of rules.

Maximum shaft alignment error 2,5°

For further information please contact our technical office or sales department.

MATERIALS: Housing is made out of PA + glass fiber in blue Ral 5005 colour; bearing with grub screws shaft locking in chrome steel or stainless steel; bearing with eccentric collar shaft locking in chrome steel; greaser made out of nickel plated brass; reinforcement bushings and washers made out of stainless steel AISI 304; gaskets made out of NBR rubber; cover made out of polypropylene grey Ral 7042, blue Ral 5015, orange Ral 2004 or red Ral 3000 colour.

FEATURES: The protection cover can be ordered separately as an accessory. This part is moulded without internal cavities in order to obtain the best sanification. Assembly with not shouldered shafts. Maximum shaft alignment error 2.5°.

BOX QUANTITY: 8 pieces.

ON REQUEST: Versions with body in polypropylene + glass fiber and antibacterial additive; housing in black colour polyamide reinforced with glass fibers; protection covers in different colours and with customized brand; box quantity according to your request; Viton gaskets; available without NBR rubber back gasket for turning shaft seal.



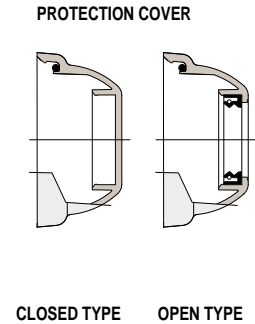
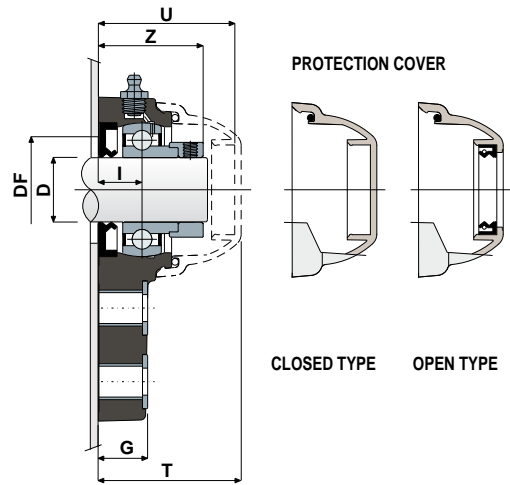
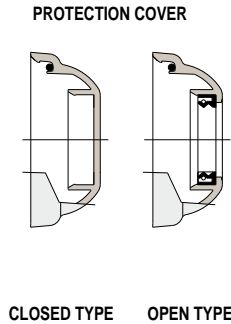
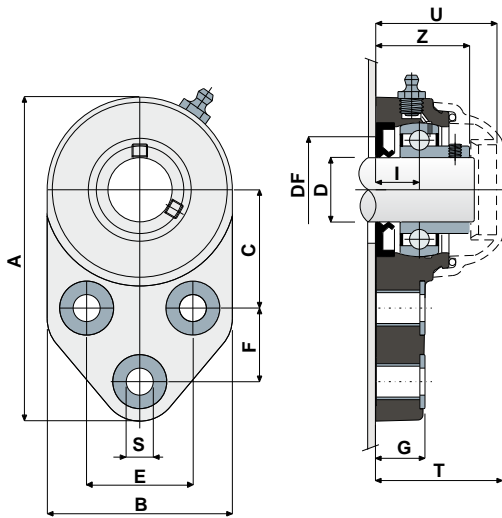
Side flanged bearing supports (Solid)

Technical data

Serie **UCFB/CX**

GRUB SCREWS SHAFT LOCKING

ECCENTRIC COLLAR SHAFT LOCKING



GRUB SCREWS SHAFT LOCKING

D	SERIE	CHROME STEEL BEARING														COVER CODES														
		Support CODES		DIMENSIONS (mm)												Bearing load (N)		Bearing support load		GREY RAL 7042		BLUE RAL 5015		ORANGE RAL 2004		RED RAL 3000				
		Standard bearing	Long Life bearing	E	A	B	C	F	S	G	I	Z	U	T	DF		C	CO	(N)		Closed	Open	Closed	Open	Closed	Open	Closed	Open		
		Blue Ral 5005													Max	Min														
20	UCFB 204 CX	89142	90044	41,3	126	72	46	28,6	10,5	19	18	36	47	49,5	45	40	12800	6600	8500		80254	80255	87259	83901	82305	82306	87540	87541		
25	UCFB 205 CX	89143	90045	41,3	126	72	46	28,6	10,5	19	17	36,5	47	49,5	50	45	14000	7800	9000		80075	80076	85384	85385	82276	82277	87542	87543		
30	UCFB 206 CX	89144	90046	47,6	142	85	52,4	32	10,5	26,3	20,7	41,7	53,2	55,7	60	50	19500	11300	11000		80011	80053	84100	80354	82278	82279	87531	87530		
35	UCFB 207 CX	89145	90047	51	155	94	60,5	32	10,5	26,3	20	45,3	56,5	59	70	55	25500	15300	13000		80077	80078	80969	80275	82284	82285	87544	87545		
40	UCFB 208 CX	89146	90048	50	165	100	60,5	41	10,5	26,3	19,5	48,5	65,5	68	78	65	32500	19800	18000		80256	80257	83088	86722	82280	82281	87528	82804		

ECCENTRIC COLLAR SHAFT LOCKING

D	SERIE	CHROME STEEL BEARING														COVER CODES								
		Support CODES		DIMENSIONS (mm)												Bearing load (N)		Bearing support load		GREY RAL 7042				
		Standard bearing	Long Life bearing	E	A	B	C	F	S	G	I	Z	U	T	DF		C	CO	(N)		Closed	Open		
		Blue Ral 5005													Max	Min								
20	UCFB 204 CX	89157	90049	41,3	126	72	46	28,6	10,5	19	18	41,5	54	56,5	45	40	12800	6600	8500		88371	88372		
25	UCFB 205 CX	89158	90050	41,3	126	72	46	28,6	10,5	19	17	40,5	52,9	55,4	50	45	14000	7800	9000		88373	88374		
30	UCFB 206 CX	89159	90051	47,6	142	85	52,4	32	10,5	26,3	20,7	47,4	59,4	61,9	60	50	19500	11300	11000		88375	88376		
35	UCFB 207 CX	89160	90052	51	155	94	60,5	32	10,5	26,3	20	49,3	61,3	63,8	70	55	25500	15300	13000		88377	88378		
40	UCFB 208 CX	89161	90053	50	165	100	60,5	41	10,5	26,3	19,5	52,2	65,5	68	78	65	32500	19800	18000		80256	80257		

GRUB SCREWS SHAFT LOCKING

D	SERIE	STAINLESS STEEL BEARING AISI 440														COVER CODES												
		Support CODES		DIMENSIONS (mm)												Bearing load (N)		Bearing support load		GREY RAL 7042		BLUE RAL 5015		ORANGE RAL 2004		RED RAL 3000		
		Standard bearing	Long Life bearing	E	A	B	C	F	S	G	I	Z	U	T	DF		C	CO	(N)		Closed	Open	Closed	Open	Closed	Open	Closed	Open
		Blue Ral 5005													Max	Min												
20	UCFB 204 CX	89162	90054	41,3	126	72	46	28,6	10,5	19	18	36	47	49,5	45	40	8300	6600	8500		80254	80255	87259	83901	82305	82306	87540	87541
25	UCFB 205 CX	89163	90055	41,3	126	72	46	28,6	10,5	19	17	36,5	47	49,5	50	45	9150	7800	9000		80075	80076	85384	85385	82276	82277	87542	87543
30	UCFB 206 CX	89164	90056	47,6	142	85	52,4	32	10,5	26,3	20,7	41,7	53,2	55,7	60	50	12500	11200	11000		80011	80053	84100	80354	82278	82279	87531	87530
35	UCFB 207 CX	89165	90057	51	155	94	60,5	32	10,5	26,3	20	45,3	56,5	59	70	55	16600	15300	13000		80077	80078	80969	80275	82284	82285	87544	87545
40	UCFB 208 CX	89166	90058	50	165	100	60,5	41	10,5	26,3	19,5	48,5	65,5	68	78	65	20000	19000	18000		80256	80257	83088	86722	82280	82281	87528	82804

GRUB SCREWS SHAFT LOCKING - VERSIONS WITH MEASURES IN INCHES

D	SERIE	CHROME STEEL BEARING														COVER CODES													
		Support CODES		DIMENSIONS (mm)												Bearing load (N)		Bearing support load		GREY RAL 7042		BLUE RAL 5015		ORANGE RAL 2004		RED RAL 3000			
		Standard bearing	Long Life bearing	E	A	B	C	F	S	G	I	Z	U	T	DF		C	CO	(N)		Closed	Open	Closed	Open	Closed	Open			
(inches)	(mm)	Blue Ral 5005													Max	Min													
1"	25,4	UCFB 205 CX	89227	90059	41,3	126	72	46	28,6	10,5	19	17	36,5	47	49,5	50	45	14000	7800	9000		80075	85202	85384	87273	82276	87660	87542	87663
1 1/4"	31,75	UCFB 206 CX	89228	90060	47,6	142	85	52,4	32	10,5	26,3	20,7	41,7	53,2	60	50	19500	11300	11000		80011	85203	84100	87274	82278	87661	87531	87664	

Inch dimensions conform to the British Imperial system



Side flanged bearing supports

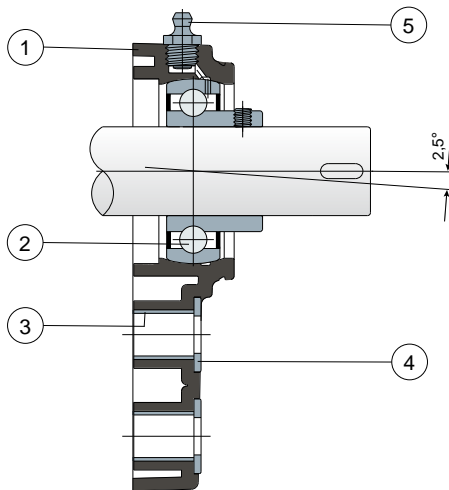
Serie **UCFB**



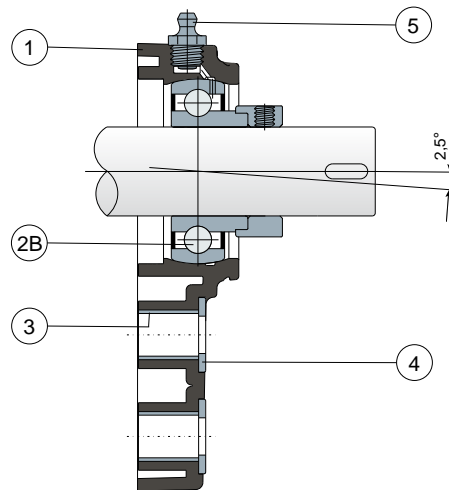
Long Life bearings: life long lubrication.

NEW

Grub screws shaft locking - Without cover and back gasket



Eccentric collar shaft locking - Without cover and back gasket



- 1) Housing made out of black or white colour polyamide reinforced with glass fibers.
- 2) Chrome steel or stainless steel bearing AISI 440.
- 2B) Chrome steel bearing.
- 3) Spacer for fixing reinforcement made out of stainless steel AISI 304.
- 4) UNI 6592 support washer made out of stainless steel AISI 304.
- 5) Greaser, straight type with 1/8 gas thread, made out of nickel-plated brass (absent in the versions with Long Life bearing).

NOTE: The back gasket and the protection cover can be ordered separately as accessories; in the Long Life version, the greaser is absent and the lubrication channel is protected by a rubber cap.

Support dimensions respect ISO 3228 set of rules.

Maximum shaft alignment error 2,5°

For further information please contact our technical office or sales department.

MATERIALS: Housing is made out of PA + glass fiber in black or white colours; bearing with grub screws shaft locking in chrome steel or stainless steel; bearing with eccentric collar shaft locking in chrome steel; greaser made out of nickel plated brass; reinforcement bushings and washers made out of stainless steel AISI 304; gaskets made out of NBR rubber; cover made out of polypropylene grey Ral 7042, blue Ral 5015, orange Ral 2004 or red Ral 3000 colour.

FEATURES: The back gasket and the protection cover can be ordered separately as accessories. Assembly with shouldered and not shouldered shafts. Maximum shaft alignment error 2.5°.

BOX QUANTITY: 8 pieces.

ON REQUEST: Versions with body in polypropylene + glass fiber and antibacterial additive; protection covers in different colours and with customized brand; box quantity according to your request; Viton gaskets.



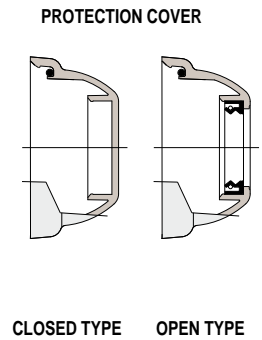
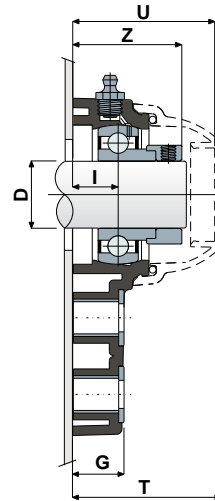
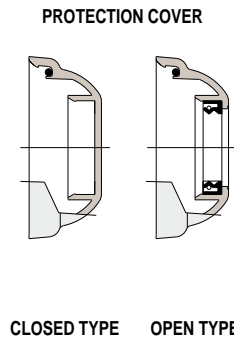
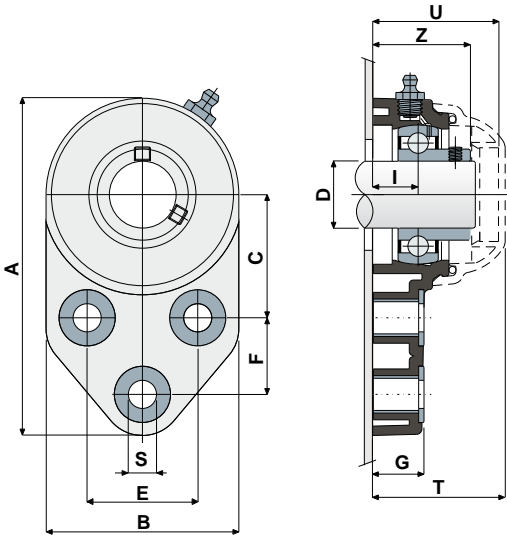
Side flanged bearing supports

Technical data

Serie **UCFB**

GRUB SCREWS SHAFT LOCKING

ECCENTRIC COLLAR SHAFT LOCKING



GRUB SCREWS SHAFT LOCKING

D	SERIE	CHROME STEEL BEARING														COVER CODES													
		Support CODES				DIMENSIONS (mm)										Bearing load (N)		Bearing support load		GREY RAL 7042				BLUE RAL 5015		ORANGE RAL 2004		RED RAL 3000	
		Standard bearing		Long Life bearing		E	A	B	C	F	S	G	I	Z	U	T	C	CO	(N)		Closed	Open	Closed	Open	Closed	Open	Closed	Open	
		Black	White	Black	White																								
20	UCFB 204	83025	84748	87601	90064	41,3	126	72	46	28,6	10,5	19	18	36	47	49,5	12800	6600	8500	80254	80255	87259	83901	82305	82306	87540	87541		
25	UCFB 205	82773	84749	90061	90065	41,3	126	72	46	28,6	10,5	19	17	36,5	47	49,5	14000	7800	9000	80075	80076	85384	85385	82276	82277	87542	87543		
30	UCFB 206	84060	84750	88335	90066	47,6	142	85	52,4	32	10,5	26,3	20,7	41,7	53,2	55,7	19500	11300	11000	80011	80053	84100	80354	82278	82279	87531	87530		
35	UCFB 207	84061	84751	90062	90067	51	155	94	60,5	32	10,5	26,3	20	45,3	56,5	59	25500	15300	13000	80077	80078	80969	80275	82284	82285	87544	87545		
40	UCFB 208	83029	84752	90063	90068	50	165	100	60,5	41	10,5	26,3	19,5	48,5	65,5	68	32500	19800	18000	80256	80257	83088	86722	82280	82281	87528	82804		

ECCENTRIC COLLAR SHAFT LOCKING

D	SERIE	CHROME STEEL BEARING														COVER CODES						
		Support CODES				DIMENSIONS (mm)										Bearing load (N)		Bearing support load		GREY RAL 7042		
		Standard bearing		Long Life bearing		E	A	B	C	F	S	G	I	Z	U	T	C	CO	(N)		Closed	Open
		Black	White	Black	White																	
20	UCFB 204	88564	88569	90069	90074	41,3	126	72	46	28,6	10,5	19	18	41,5	54	56,5	12800	6600	8500	88371	88372	
25	UCFB 205	88565	88570	90070	90075	41,3	126	72	46	28,6	10,5	19	17	40,5	52,9	55,4	14000	7800	9000	88373	88374	
30	UCFB 206	88566	88571	90071	90076	47,6	142	85	52,4	32	10,5	26,3	20,7	47,4	59,4	61,9	19500	11300	11000	88375	88376	
35	UCFB 207	88567	88572	90072	90077	51	155	94	60,5	32	10,5	26,3	20	49,3	61,3	63,8	25500	15300	13000	88377	88378	
40	UCFB 208	88568	88573	90073	90078	50	165	100	60,5	41	10,5	26,3	19,5	52,2	65,5	68	32500	19800	18000	80256	80257	

GRUB SCREWS SHAFT LOCKING

D	SERIE	STAINLESS STEEL BEARING AISI 440														COVER CODES													
		Support CODES				DIMENSIONS (mm)										Bearing load (N)		Bearing support load		GREY RAL 7042				BLUE RAL 5015		ORANGE RAL 2004		RED RAL 3000	
		Standard bearing		Long Life bearing		E	A	B	C	F	S	G	I	Z	U	T	C	CO	(N)		Closed	Open	Closed	Open	Closed	Open	Closed	Open	
		Black	White	Black	White																								
20	UCFB 204	83042	84753	90079	90084	41,3	126	72	46	28,6	10,5	19	18	36	47	49,5	8300	6600	8500	80254	80255	87259	83901	82305	82306	87540	87541		
25	UCFB 205	82777	84754	90080	90085	41,3	126	72	46	28,6	10,5	19	17	36,5	47	49,5	9150	7800	9000	80075	80076	85384	85385	82276	82277	87542	87543		
30	UCFB 206	84062	84755	90081	90086	47,6	142	85	52,4	32	10,5	26,3	20,7	41,7	53,2	55,7	12500	11200	11000	80011	80053	84100	80354	82278	82279	87531	87530		
35	UCFB 207	84063	84756	90082	90087	51	155	94	60,5	32	10,5	26,3	20	45,3	56,5	59	16600	15300	13000	80077	80078	80969	80275	82284	82285	87544	87545		
40	UCFB 208	83044	84757	90083	90088	50	165	100	60,5	41	10,5	26,3	19,5	48,5	65,5	68	20000	19000	18000	80256	80257	83088	86722	82280	82281	87528	82804		

GRUB SCREWS SHAFT LOCKING - VERSIONS WITH MEASURES IN INCHES

D	(inches)	(mm)	SERIE	CHROME STEEL BEARING														COVER CODES													
				Support CODES				DIMENSIONS (mm)										Bearing load (N)		Bearing support load		GREY RAL 7042				BLUE RAL 5015		ORANGE RAL 2004		RED RAL 3000	
				Standard bearing		Long Life bearing		E	A	B	C	F	S	G	I	Z	U	T	C	CO	(N)		Closed	Open	Closed	Open	Closed	Open	Closed	Open	
				Black	White	Black	White																								
1"	25,4	UCFB 205	84529	84919	90089	90091	41,3	126	72	46	28,6	10,5	19	17	36,5	47	49,5	14000	7800	9000	80075	85202	85384	87273	82276	87660	87542	87663			
1 1/4"	31,75	UCFB 206	84530	84920	90090	90092	47,6	142	85	52,4	32	10,5	26,3	20,7	41,7	53,2	19500	11300	11000	80011	85203	84100	87274	82278	87661	87531	87664				

Inch dimensions conform to the British Imperial system



Pillow Blocks

Serie **UCP/C**



On request covers in polypropylene blue Ral 5015 colour.



On request covers in polypropylene orange Ral 2004 colour.



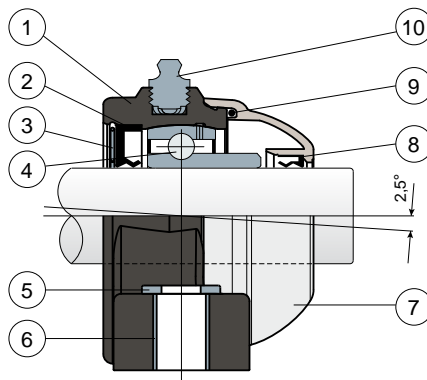
On request covers in polypropylene red Ral 3000 colour.



Long Life bearings: life long lubrication.



Full protection of bearing



- 1) Housing made out of black or white colour polyamide reinforced with glass fibers.
- 2) Back gasket made out of NBR rubber for turning shaft seal.
- 3) Safety ring in stainless steel AISI 304.
- 4) Chrome steel or stainless steel bearing AISI 440.
- 5) UNI 6592 support washer made out of stainless steel AISI 304.
- 6) Spacer for fixing reinforcement made out of stainless steel AISI 304.
- 7) Protection cover made out of polypropylene (grey colour Ral 7042).
- 8) Front gasket made out of NBR rubber for turning shaft seal.
- 9) OR gasket made out of NBR rubber.
- 10) Greaser, straight type with 1/8 gas thread, made out of nickel-plated brass (absent in the versions with Long Life bearing).

N.B.: In the Long Life version, the greaser is absent and the lubrication channel is protected by a rubber cap.

Support dimensions respect ISO 3228 set of rules.

Maximum shaft alignment error 2,5°.

For further information please contact our technical office or sales department.

MATERIALS: Housing is made out of PA + glass fiber in black or white colours; chrome steel or stainless steel bearing; greaser made out of nickel plated brass; reinforcement bushings, washers and safety ring made out of stainless steel AISI 304; gaskets made out of NBR rubber; cover made out of grey RAL 7042 colour polypropylene.

FEATURES: Full protection of bearing against external agents. Assembly with not shouldered shafts. Maximum shaft alignment error 2,5°.

BOX QUANTITY: 8 pieces.

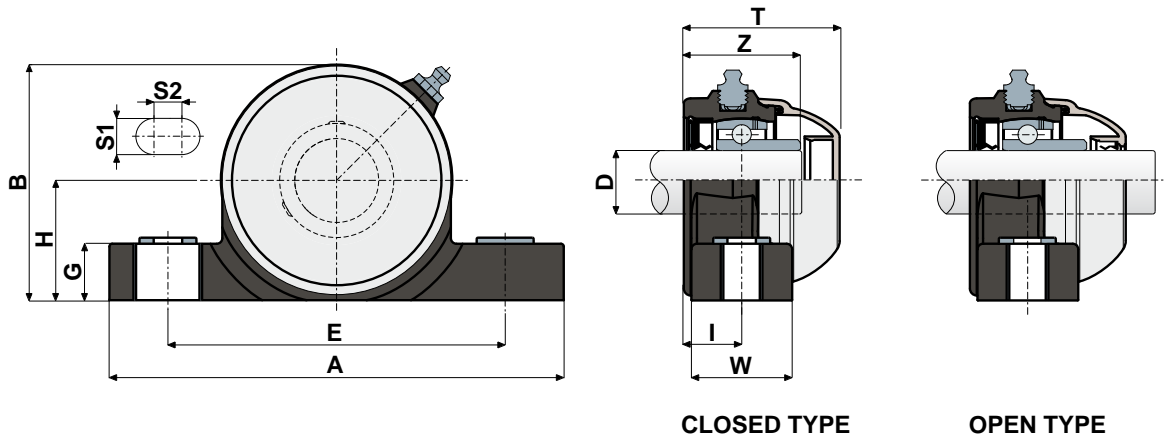
ON REQUEST: Versions with body in polypropylene + glass fiber and antibacterial additive; supports with eccentric collar shaft locking with chrome steel bearing; protection covers in different colours and with customized brand; box quantity according to your request; Viton gaskets.



Pillow Blocks

Technical data

Serie **UCP/C**



CHROME STEEL BEARING																							
D	SERIE	CODES								DIMENSIONS (mm)										Bearing load (N)		Bearing support load	
		Standard bearing				Long Life bearing				E	A	S1	S2	G	H	B	I	W	Z	T	C	CO	(N)
		Black		White		Black		White															
		Closed	Open	Closed	Open	Closed	Open	Closed	Open														
20	UCP 204 C	84076	84077	84758	84759	90093	90094	90101	90102	96	130	13	10	20	33,5	65,5	18	30	36	49	12800	6600	5750
25	UCP 205 C	83682	83683	84760	84761	88590	88428	90103	90104	106	140	13	10	20	36,5	71,5	19,6	35	39	51,7	14000	7800	6900
30	UCP 206 C	83684	83685	84762	84763	90095	90096	90105	90106	121	163	13	10	20	43	84,5	20,7	36	41,7	55,7	19500	11300	9200
35	UCP 207 C	83686	83687	84764	84765	90097	90098	90107	90108	126	168	13	10	20	47,6	93,3	22,7	39	48	61,8	25500	15300	11500
40	UCP 208 C	85441	85443	85445	85446	90099	90100	90109	90110	136	185	13	10	20	50	100	22,5	38,6	51,5	70,7	32500	19800	11500

STAINLESS STEEL BEARING AISI 440																							
D	SERIE	CODES								DIMENSIONS (mm)										Bearing load (N)		Bearing support load	
		Standard bearing				Long Life bearing				E	A	S1	S2	G	H	B	I	W	Z	T	C	CO	(N)
		Black		White		Black		White															
		Closed	Open	Closed	Open	Closed	Open	Closed	Open														
20	UCP 204 C	84078	84079	84766	84767	90111	90112	90119	90120	96	130	13	10	20	33,5	65,5	18	30	36	49	8300	6600	5750
25	UCP 205 C	83696	83697	84768	84769	90113	90114	90121	90122	106	140	13	10	20	36,5	71,5	19,6	35	39	51,7	9150	7800	6900
30	UCP 206 C	83698	83699	84770	84771	87416	87417	90123	90124	121	163	13	10	20	43	84,5	20,7	36	41,7	55,7	12500	11200	9200
35	UCP 207 C	83700	83701	84772	84773	90115	90116	90125	90126	126	168	13	10	20	47,6	93,3	22,7	39	48	61,8	16600	15300	11500
40	UCP 208 C	85447	85448	85449	85450	90117	90118	90127	90128	136	185	13	10	20	50	100	22,5	38,6	51,5	70,7	20000	19000	11500

VERSIONS WITH MEASURES IN INCHES

CHROME STEEL BEARING																								
D	SERIE	CODES								DIMENSIONS (mm)										Bearing load (N)		Bearing support load		
		Standard bearing				Long Life bearing				E	A	S1	S2	G	H	B	I	W	Z	T	C	CO	(N)	
		Black		White		Black		White																
		Closed	Open	Closed	Open	Closed	Open	Closed	Open															
1"	25,4	UCP 205 C	84531	84532	84923	84924	90129	90130	90133	90134	106	140	13	10	20	36,5	71,5	19,6	35	39	51,7	14000	7800	6900
1 1/4"	31,75	UCP 206 C	84533	84534	84925	84926	90131	90132	90135	90136	121	163	13	10	20	43	84,5	20,7	36	41,7	55,7	19500	11300	9200

Inch dimensions conform to the British Imperial system



Pillow Blocks (Solid)


Serie **UCP/C**




 On request covers in polypropylene blue Ral 5015 colour.

 On request covers in polypropylene grey Ral 7042 colour.

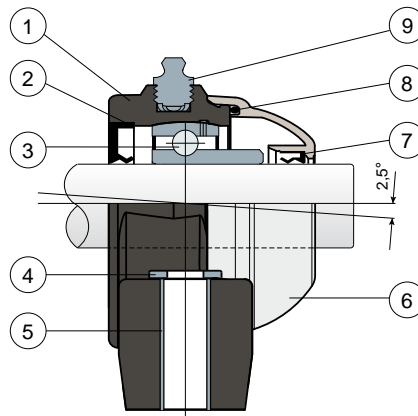
 On request covers in polypropylene red Ral 3000 colour.

 Self-aligning bearings with Solid body: completely closed surface to guarantee the max hygiene.

 Long Life bearings: life long lubrication.

NEW

Full protection of bearing



- 1) Housing made out of blue Ral 5005 colour polyamide reinforced with glass fibers.
- 2) Back gasket made out of NBR rubber for turning shaft seal.
- 3) Chrome steel or stainless steel bearing AISI 440.
- 4) UNI 6592 support washer made out of stainless steel AISI 304.
- 5) Spacer for fixing reinforcement made out of stainless steel AISI 304.
- 6) Protection cover made out of polypropylene (orange Ral 2004 colour).
- 7) Front gasket made out of NBR rubber for turning shaft seal.
- 8) OR gasket made out of NBR rubber.
- 9) Greaser, straight type with 1/8 gas thread, made out of stainless steel AISI 303 (absent in the versions with Long Life bearing).

N.B.: In the Long Life version, the greaser is absent and the lubrication channel is protected by a rubber cap.

Support dimensions respect ISO 3228 set of rules
Maximum shaft alignment error 2,5°
For further information please contact our technical office or sales department.

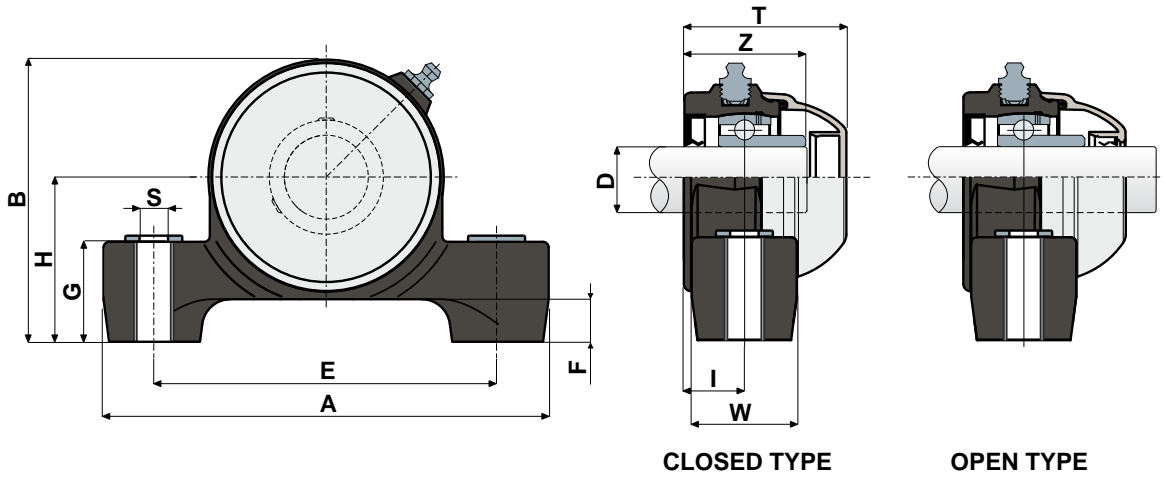
MATERIALS: Support made out of blue Ral 5005 colour PA + glass fiber; chrome steel or stainless steel bearing; greaser made out of stainless steel; reinforcement bushings and washers made out of stainless steel AISI 304; gaskets made out of NBR rubber; cover made out of orange Ral 2004 colour polypropylene.
FEATURES: Full protection of bearing against external agents. Assembly with not shouldered shafts. The reduced contact surface of the base of the support allows maximum sanification. Maximum shaft alignment error 2.5°.
BOX QUANTITY: 8 pieces.
ON REQUEST: Versions with body in polypropylene + glass fiber and antibacterial additive; supports with eccentric collar shaft locking with chrome steel bearing; protection covers in different colours and with customized brand; box quantity according to your request; Viton gaskets.







Pillow Blocks (Solid)

Technical data

Serie **UCP/C**



CHROME STEEL BEARING																			
D	SERIE	CODES				DIMENSIONS (mm)										Bearing load (N)		Bearing support load	
		Standard bearing		Long Life bearing		E	A	S	F	G	H	B	I	W	Z	T	C	CO	(N)
		Blue Ral 5005																	
		Closed	Open	Closed	Open														
25	UCP 205 C 	88642	88643	90137	90138	106	141	10,5	15	34,5	51,5	86,5	19,6	35	39	51,7	14000	7800	6900
30	UCP 206 C 	88399	88400	90139	90140	121	157	10,5	15	34,5	58	99,5	20,7	36	42,7	55,6	19500	11300	9200

STAINLESS STEEL BEARING AISI 440																			
D	SERIE	CODES				DIMENSIONS (mm)										Bearing load (N)		Bearing support load	
		Standard bearing		Long Life bearing		E	A	S	F	G	H	B	I	W	Z	T	C	CO	(N)
		Blue Ral 5005																	
		Closed	Open	Closed	Open														
25	UCP 205 C 	88645	88646	90141	90142	106	141	10,5	15	34,5	51,5	86,5	19,6	35	39	51,7	9150	7800	6900
30	UCP 206 C 	88639	88640	90143	90144	121	157	10,5	15	34,5	58	99,5	20,7	36	42,7	55,6	12500	11200	9200



Pillow Blocks

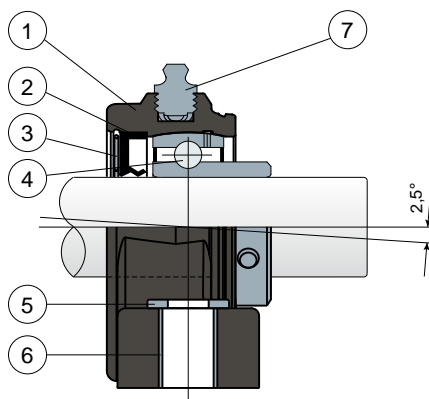
Serie **UCP/CX**



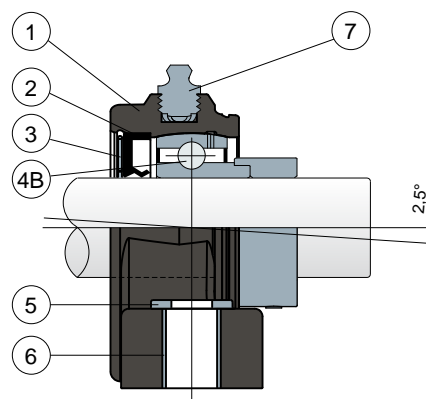
Long Life bearings: life long lubrication.

NEW

Grub screws shaft locking - Without protection cover



Eccentric collar shaft locking - Without protection cover



- 1) Housing made out of black, white or blue Ral 5005 colour polyamide reinforced with glass fibers.
- 2) Back gasket made out of NBR rubber for turning shaft seal.
- 3) Safety ring in stainless steel AISI 304.
- 4) Chrome steel or stainless steel bearing AISI 440.
- 4B) Chrome steel bearing.
- 5) UNI 6592 support washer made out of stainless steel AISI 304.
- 6) Spacer for fixing reinforcement made out of stainless steel AISI 304.
- 7) Greaser, straight type with 1/8 gas thread, made out of nickel-plated brass (absent in the versions with Long Life bearing).

NOTE: The protection cover can be ordered separately as an accessory; in the Long Life version, the greaser is absent and the lubrication channel is protected by a rubber cap.

Support dimensions respect ISO 3228 set of rules.

Maximum shaft alignment error 2,5°.

For further information please contact our technical office or sales department.

MATERIALS: Housing is made out of PA + glass fiber in black, white or blue Ral 5005 colours; bearing with grub screws shaft locking in chrome steel or stainless steel; bearing with eccentric collar shaft locking in chrome steel; greaser made out of nickel plated brass; reinforcement bushings, washers and safety ring made out of stainless steel AISI 304; gaskets made out of NBR rubber; cover made out of polypropylene grey Ral 7042, blue Ral 5015, orange Ral 2004 or red Ral 3000 colour.

FEATURES: The protection cover can be ordered separately as an accessory. Assembly with not shouldered shafts. Maximum shaft alignment error 2,5°.

BOX QUANTITY: 8 pieces.

ON REQUEST: Versions with body in polypropylene + glass fiber and antibacterial additive; protection covers in different colours and with customized brand; box quantity according to your request; Viton gaskets.



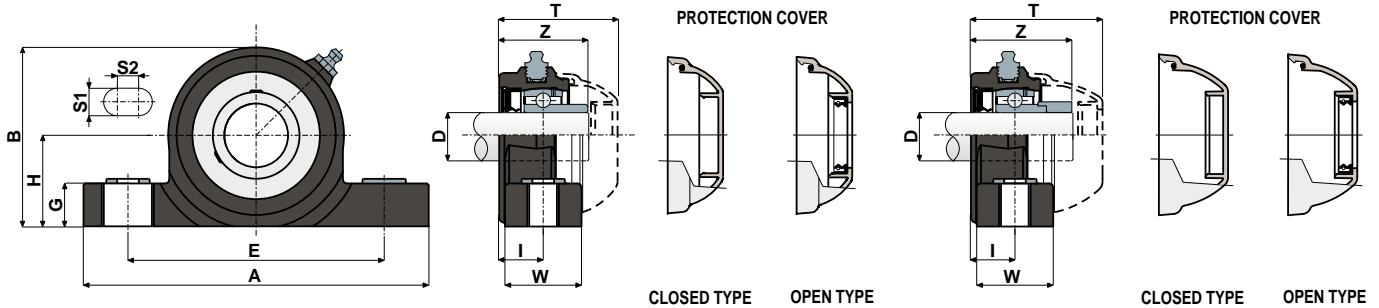
Pillow Blocks

Technical data

Serie **UCP/CX**

GRUB SCREWS SHAFT LOCKING

ECCENTRIC COLLAR SHAFT LOCKING



GRUB SCREWS SHAFT LOCKING

D	SERIE	CHROME STEEL BEARING																	COVER CODES											
		Support CODES						DIMENSIONS (mm)											Bearing load (N)		Bearing support load		GREY RAL 7042		BLUE RAL 5015		ORANGE RAL 2004		RED RAL 3000	
		Standard bearing			Long Life bearing			E	A	S1	S2	G	H	B	I	W	Z	T	C	CO	(N)	Closed	Open	Closed	Open	Closed	Open	Closed	Open	
		Black	White	Blue Ral 5005	Black	White	Blue Ral 5005																							
20	UCP 204 CX	84080	84774	87753	90145	90149	90154	96	130	13	10	20	33,5	65,5	18	30	36	49	12800	6600	5750	80254	80255	87259	83901	82305	82306	87540	87541	
25	UCP 205 CX	83688	84775	87754	90146	90150	90155	106	140	13	10	20	36,5	71,5	19,6	35	39	51,7	14000	7800	6900	80075	80076	85384	85385	82276	82277	87542	87543	
30	UCP 206 CX	83689	84776	87755	88673	90151	90156	121	163	13	10	20	43	84,5	20,7	36	41,7	55,7	19500	11300	9200	80011	80053	84100	80354	82278	82279	87531	87530	
35	UCP 207 CX	83690	84777	87756	90147	90152	90157	126	168	13	10	20	47,6	93,3	22,7	39	48	61,8	25500	15300	11500	80077	80078	80969	80275	82284	82285	87544	87545	
40	UCP 208 CX	85451	85452	87757	90148	90153	90158	136	185	13	10	20	50	100	22,5	38,6	51,5	70,7	32500	19800	11500	80256	80257	83088	86722	82280	82281	87528	82804	

ECCENTRIC COLLAR SHAFT LOCKING

D	SERIE	CHROME STEEL BEARING																	COVER CODES					
		Support CODES						DIMENSIONS (mm)											Bearing load (N)		Bearing support load		GREY RAL 7042	
		Standard bearing			Long Life bearing			E	A	S1	S2	G	H	B	I	W	Z	T	C	CO	(N)	Closed	Open	
		Black	White	Blue Ral 5005	Black	White	Blue Ral 5005																	
20	UCP 204 CX	88574	88579	88584	90159	90164	90169	96	130	13	10	20	33,5	65,5	18	30	41,6	56	12800	6600	5750	88371	88372	
25	UCP 205 CX	88575	88580	88585	90160	90165	90170	106	140	13	10	20	36,5	71,5	19,6	35	43	57,6	14000	7800	6900	88373	88374	
30	UCP 206 CX	88576	88581	88586	90161	90166	90171	121	163	13	10	20	43	84,5	20,7	36	47,4	61,8	19500	11300	9200	88375	88376	
35	UCP 207 CX	88577	88582	88587	90162	90167	90172	126	168	13	10	20	47,6	93,3	22,7	39	52	66,6	25500	15300	11500	88377	88378	
40	UCP 208 CX	88578	88583	88588	90163	90168	90173	136	185	13	10	20	50	100	22,5	38,6	55,2	70,9	32500	19800	11500	80256	80257	

GRUB SCREWS SHAFT LOCKING

D	SERIE	STAINLESS STEEL BEARING AISI 440																	COVER CODES											
		Support CODES						DIMENSIONS (mm)											Bearing load (N)		Bearing support load		GREY RAL 7042		BLUE RAL 5015		ORANGE RAL 2004		RED RAL 3000	
		Standard bearing			Long Life bearing			E	A	S1	S2	G	H	B	I	W	Z	T	C	CO	(N)	Closed	Open	Closed	Open	Closed	Open	Closed	Open	
		Black	White	Blue Ral 5005	Black	White	Blue Ral 5005																							
20	UCP 204 CX	84081	84778	87762	85324	85840	88393	96	130	13	10	20	33,5	65,5	18	30	36	49	8300	6600	5750	80254	80255	87259	83901	82305	82306	87540	87541	
25	UCP 205 CX	83702	84779	87763	84238	86179	88880	106	140	13	10	20	36,5	71,5	19,6	35	39	51,7	9150	7800	6900	80075	80076	85384	85385	82276	82277	87542	87543	
30	UCP 206 CX	83703	84780	87764	90174	87526	90178	121	163	13	10	20	43	84,5	20,7	36	41,7	55,7	12500	11200	9200	80011	80053	84100	80354	82278	82279	87531	87530	
35	UCP 207 CX	83704	84781	87765	86699	90176	90179	126	168	13	10	20	47,6	93,3	22,7	39	48	61,8	16600	15300	11500	80077	80078	80969	80275	82284	82285	87544	87545	
40	UCP 208 CX	85453	85454	87766	90175	90177	90180	136	185	13	10	20	50	100	22,5	38,6	51,5	70,7	20000	19000	11500	80256	80257	83088	86722	82280	82281	87528	82804	

GRUB SCREWS SHAFT LOCKING - VERSIONS WITH MEASURES IN INCHES

D	(inches)	(mm)	SERIE	CHROME STEEL BEARING														COVER CODES													
				Support CODES						DIMENSIONS (mm)								Bearing load (N)		Bearing support load		GREY RAL 7042		BLUE RAL 5015		ORANGE RAL 2004		RED RAL 3000			
				Standard bearing			Long Life bearing			E	A	S1	S2	G	H	B	I	W	Z	T	C	CO	(N)	Closed	Open	Closed	Open	Closed	Open	Closed	Open
				Black	White	Blue Ral 5005	Black	White	Blue Ral 5005																						
1"	25,4	UCP 205 CX	84535	84931	87767	90181	90183	90185	106	140	13	10	20	36,5	71,5	19,6	35	39	51,7	14000	7800	6900	80075	85202	85384	87273	82276	87660	87542	87663	
1 1/4"	31,75	UCP 206 CX	84536	84932	87768	90182	90184	90186	121	163	13	10	20	43	84,5	20,7	36	41,7	55,7	19500	11300	9200	80011	85203	84100	87274	82278	87661	87531	87664	

Inch dimensions conform to the British Imperial system



Pillow Blocks (Solid)

Serie **UCP/CX**



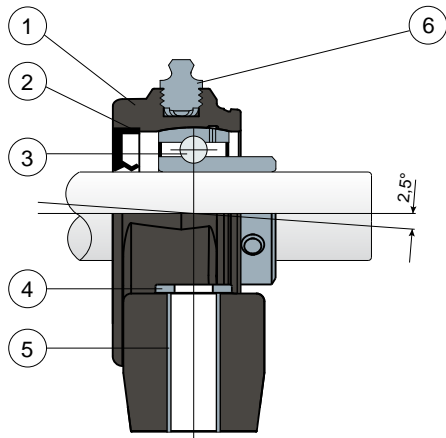
Self-aligning bearings with Solid body: completely closed surface to guarantee the max hygiene.



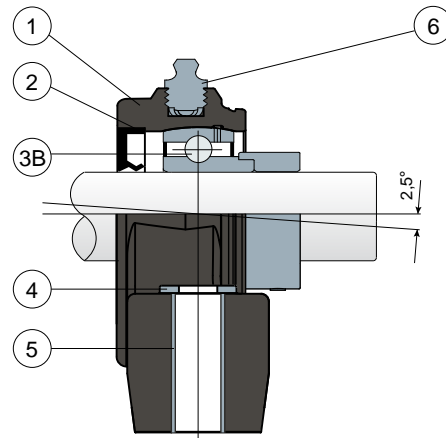
Long Life bearings: life long lubrication.



Grub screws shaft locking - Without protection cover



Eccentric collar shaft locking - Without protection cover



- 1) Housing made out of blue Ral 5005 colour polyamide reinforced with glass fibers.
- 2) Back gasket made out of NBR rubber for turning shaft seal.
- 3) Chrome steel or stainless steel bearing AISI 440.
- 3B) Chrome steel bearing.
- 4) UNI 6592 support washer made out of stainless steel AISI 304.
- 5) Spacer for fixing reinforcement made out of stainless steel AISI 304.
- 6) Greaser, straight type with 1/8 gas thread, made out of stainless steel AISI 303 (absent in the versions with Long Life bearing).

NOTE: The protection cover can be ordered separately as an accessory; in the Long Life version, the greaser is absent and the lubrication channel is protected by a rubber cap.

Support dimensions respect ISO 3228 set of rules
Maximum shaft alignment error 2,5°
For further information please contact our technical office or sales department.

MATERIALS: Support made out of blue Ral 5005 colour PA + glass fiber; bearing with grub screws shaft locking in chrome steel or stainless steel; bearing with eccentric collar shaft locking in chrome steel; greaser made out of stainless steel; reinforcement bushings and washers made out of stainless steel AISI 304; gaskets made out of NBR rubber; cover made out of polypropylene grey Ral 7042, blue Ral 5015, orange Ral 2004, red Ral 3000 colour.

FEATURES: The protection cover can be ordered separately as an accessory. The reduced contact surface of the base of the support allows maximum sanification. Assembly with not shouldered shafts. Maximum shaft alignment error 2.5°.

BOX QUANTITY: 8 pieces.

ON REQUEST: Versions with body in polypropylene + glass fiber and antibacterial additive; protection covers in different colours and with customized brand; box quantity according to your request; Viton gaskets; available without NBR rubber back gasket for turning shaft seal.



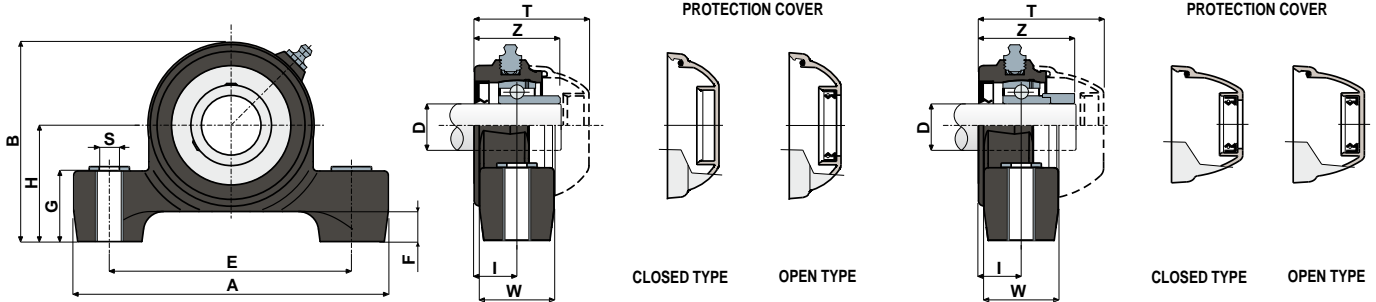
Pillow Blocks (Solid)

Technical data



Serie **UCP/CX**

GRUB SCREWS SHAFT LOCKING



ECCENTRIC COLLAR SHAFT LOCKING





GRUB SCREWS SHAFT LOCKING

D	SERIE	CHROME STEEL BEARING														COVER CODES											
		Support CODES		DIMENSIONS (mm)												Bearing load (N)		Bearing support load		GREY RAL 7042		BLUE RAL 5015		ORANGE RAL 2004		RED RAL 3000	
		Standard bearing	Long Life bearing	E	A	S	F	G	H	B	I	W	Z	T	C	CO	(N)	Closed	Open	Closed	Open	Closed	Open	Closed	Open		
25	UCP 205 CX 	88644	90187	106	141	10,5	15	34,5	51,5	86,5	19,6	35	39	51,7	14000	7800	6900	80075	80076	85384	85385	82276	82277	87542	87543		
30	UCP 206 CX 	88401	90188	121	157	10,5	15	34,5	58	99,5	20,7	36	42,7	55,6	19500	11300	9200	80011	80053	84100	80354	82278	82279	87531	87530		

ECCENTRIC COLLAR SHAFT LOCKING

D	SERIE	CHROME STEEL BEARING														COVER CODES					
		Support CODES		DIMENSIONS (mm)												Bearing load (N)		Bearing support load		GREY RAL 7042	
		Standard bearing	Long Life bearing	E	A	S	F	G	H	B	I	W	Z	T	C	CO	(N)	Closed	Open		
25	UCP 205 CX 	88650	90189	106	141	10,5	15	34,5	51,5	86,5	19,6	35	43	57,5	14000	7800	6900	88373	88374		
30	UCP 206 CX 	88651	90190	121	157	10,5	15	34,5	58	99,5	20,7	36	47,4	61,8	19500	11300	9200	88375	88376		

GRUB SCREWS SHAFT LOCKING

D	SERIE	STAINLESS STEEL BEARING AISI 440														COVER CODES											
		Support CODES		DIMENSIONS (mm)												Bearing load (N)		Bearing support load		GREY RAL 7042		BLUE RAL 5015		ORANGE RAL 2004		RED RAL 3000	
		Standard bearing	Long Life bearing	E	A	S	F	G	H	B	I	W	Z	T	C	CO	(N)	Closed	Open	Closed	Open	Closed	Open	Closed	Open		
25	UCP 205 CX 	88647	90191	106	141	10,5	15	34,5	51,5	86,5	19,6	35	39	51,7	9150	7800	6900	80075	80076	85384	85385	82276	82277	87542	87543		
30	UCP 206 CX 	88641	90192	121	157	10,5	15	34,5	58	99,5	20,7	36	42,7	55,6	12500	11200	9200	80011	80053	84100	80354	82278	82279	87531	87530		



Pillow Blocks

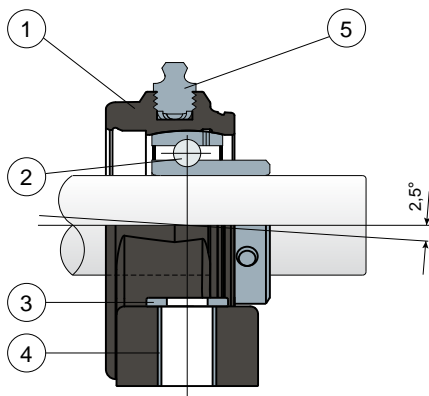
Serie **UCP**



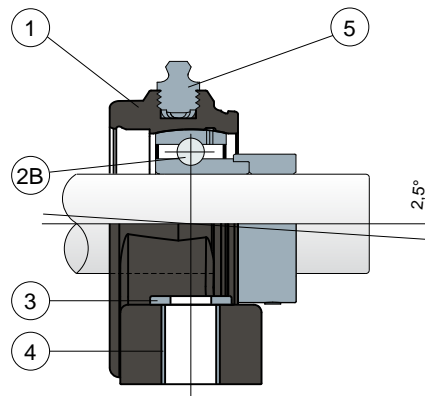
Long Life bearings: life long lubrication.



Grub screws shaft locking
Without cover and back gasket



Eccentric collar shaft locking
Without cover and back gasket



- 1) Housing made out of black, white or blue Ral 5005 colour polyamide reinforced with glass fibers.
- 2) Chrome steel or stainless steel bearing AISI 440.
- 2B) Chrome steel bearing.
- 3) UNI 6592 support washer made out of stainless steel AISI 304.
- 4) Spacer for fixing reinforcement made out of stainless steel AISI 304.
- 5) Greaser, straight type with 1/8 gas thread, made out of nickel-plated brass (absent in the versions with Long Life bearing).

NOTE: The back gasket and the protection cover can be ordered separately as accessories; in the Long Life version, the greaser is absent and the lubrication channel is protected by a rubber cap.

Support dimensions respect ISO 3228 set of rules.
Maximum shaft alignment error 2,5°.

For further information please contact our technical office or sales department.

MATERIALS: Housing is made out of PA + glass fiber in black, white or blue Ral 5005 colours; bearing with grub screws shaft locking in chrome steel or stainless steel; bearing with eccentric collar shaft locking in chrome steel; greaser made out of nickel plated brass; reinforcement bushings and washers made out of stainless steel AISI 304; gaskets made out of NBR rubber; cover made out of polypropylene grey Ral 7042, blue Ral 5015, orange Ral 2004 or red Ral 3000 colour.

FEATURES: The back gasket and the protection cover can be ordered separately as accessories. Assembly with shouldered and not shouldered shafts. Maximum shaft alignment error 2,5°.

BOX QUANTITY: 8 pieces.

ON REQUEST: Versions with body in polypropylene + glass fiber and antibacterial additive; protection covers in different colours and with customized brand; box quantity according to your request; Viton gaskets.



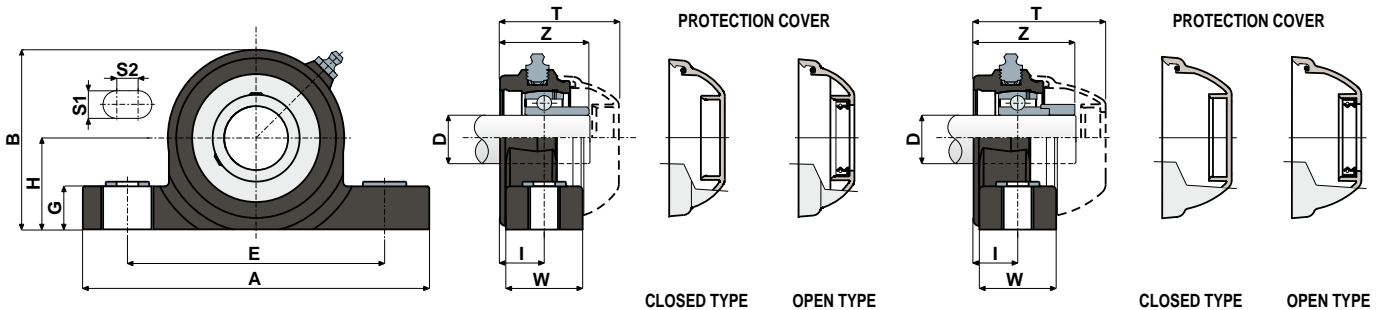
Pillow Blocks

Technical data

Serie **UCP**

GRUB SCREWS SHAFT LOCKING

ECCENTRIC COLLAR SHAFT LOCKING



GRUB SCREWS SHAFT LOCKING

D	SERIE	CHROME STEEL BEARING															COVER CODES												
		Support CODES						DIMENSIONS (mm)									Bearing load (N)	Bearing support load (N)	GREY RAL 7042		BLUE RAL 5015		ORANGE RAL 2004		RED RAL 3000				
		Standard bearing			Long Life bearing			E	A	S1	S2	G	H	B	I	W			Z	T	C	CO	Closed	Open	Closed	Open	Closed	Open	Closed
		Black	White	Blue Ral 5005	Black	White	Blue Ral 5005																						
20	UCP 204	84082	84782	87769	90193	90197	90202	96	130	13	10	20	33,5	65,5	18	30	36	49	12800	6600	5750	80254	80255	87259	83901	82305	82306	87540	87541
25	UCP 205	83691	84783	87770	90194	90198	90203	106	140	13	10	20	36,5	71,5	19,6	35	39	51,7	14000	7800	6900	80075	80076	85384	85385	82276	82277	87542	87543
30	UCP 206	83692	84784	87771	90195	90199	90204	121	163	13	10	20	43	84,5	20,7	36	41,7	55,7	19500	11300	9200	80011	80053	84100	80354	82278	82279	87531	87530
35	UCP 207	83693	84785	87772	90196	90200	90205	126	168	13	10	20	47,6	93,3	22,7	39	48	61,8	25500	15300	11500	80077	80078	80969	80275	82284	82285	87544	87545
40	UCP 208	85455	85456	87773	87626	90201	90206	136	185	13	10	20	50	100	22,5	38,6	51,5	70,7	32500	19800	11500	80256	80257	83088	86722	82280	82281	87528	82804

ECCENTRIC COLLAR SHAFT LOCKING

D	SERIE	CHROME STEEL BEARING															COVER CODES						
		Support CODES						DIMENSIONS (mm)									Bearing load (N)	Bearing support load (N)	GREY RAL 7042				
		Standard bearing			Long Life bearing			E	A	S1	S2	G	H	B	I	W			Z	T	C	CO	(N)
		Black	White	Blue Ral 5005	Black	White	Blue Ral 5005																
20	UCP 204	88592	88597	88602	90207	90212	90217	96	130	13	10	20	33,5	65,5	18	30	41,6	56	12800	6600	5750	88371	88372
25	UCP 205	88593	88598	88603	90208	90213	90218	106	140	13	10	20	36,5	71,5	19,6	35	43	57,6	14000	7800	6900	88373	88374
30	UCP 206	88594	88599	88604	90209	90214	90219	121	163	13	10	20	43	84,5	20,7	36	47,4	61,8	19500	11300	9200	88375	88376
35	UCP 207	88595	88600	88605	90210	90215	90220	126	168	13	10	20	47,6	93,3	22,7	39	52	66,6	25500	15300	11500	88377	88378
40	UCP 208	88596	88601	88606	90211	90216	90221	136	185	13	10	20	50	100	22,5	38,6	55,2	70,9	32500	19800	11500	80256	80257

GRUB SCREWS SHAFT LOCKING

D	SERIE	STAINLESS STEEL BEARING AISI 440															COVER CODES												
		Support CODES						DIMENSIONS (mm)									Bearing load (N)	Bearing support load (N)	GREY RAL 7042		BLUE RAL 5015		ORANGE RAL 2004		RED RAL 3000				
		Standard bearing			Long Life bearing			E	A	S1	S2	G	H	B	I	W			Z	T	C	CO	(N)	Closed	Open	Closed	Open	Closed	Open
		Black	White	Blue Ral 5005	Black	White	Blue Ral 5005																						
20	UCP 204	84083	84786	87774	90222	90227	90232	96	130	13	10	20	33,5	65,5	18	30	36	49	8300	6600	5750	80254	80255	87259	83901	82305	82306	87540	87541
25	UCP 205	83705	84787	87775	90223	90228	90233	106	140	13	10	20	36,5	71,5	19,6	35	39	51,7	9150	7800	6900	80075	80076	85384	85385	82276	82277	87542	87543
30	UCP 206	83706	84788	87776	90224	90229	90234	121	163	13	10	20	43	84,5	20,7	36	41,7	55,7	12500	11200	9200	80011	80053	84100	80354	82278	82279	87531	87530
35	UCP 207	83707	84789	87777	90225	90230	90235	126	168	13	10	20	47,6	93,3	22,7	39	48	61,8	16600	15300	11500	80077	80078	80969	80275	82284	82285	87544	87545
40	UCP 208	85457	85458	87778	90226	90231	90236	136	185	13	10	20	50	100	22,5	38,6	51,5	70,7	20000	19000	11500	80256	80257	83088	86722	82280	82281	87528	82804

GRUB SCREWS SHAFT LOCKING - VERSIONS WITH MEASURES IN INCHES

D	(inches)	(mm)	SERIE	CHROME STEEL BEARING															COVER CODES												
				Support CODES						DIMENSIONS (mm)									Bearing load (N)	Bearing support load (N)	GREY RAL 7042		BLUE RAL 5015		ORANGE RAL 2004		RED RAL 3000				
				Standard bearing			Long Life bearing			E	A	S1	S2	G	H	B	I	W			Z	T	C	CO	(N)	Closed	Open	Closed	Open	Closed	Open
				Black	White	Blue Ral 5005	Black	White	Blue Ral 5005																						
1"	25,4	UCP 205	84537	84936	87779	90237	90239	90241	106	140	13	10	20	36,5	71,5	19,6	35	39	51,7	14000	7800	6900	80075	85202	85384	87273	82276	87660	87542	87663	
1 1/4"	31,75	UCP 206	84538	84937	87780	90238	90240	90242	121	163	13	10	20	43	84,5	20,7	36	41,7	19500	11300	9200	80011	85203	84100	87274	82278	87661	87531	87664		

Inch dimensions conform to the British Imperial system



Compact Pillow Blocks (Solid)

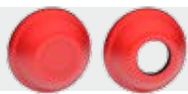
Serie **UCPA/C**



On request covers in polypropylene blue Ral 5015 colour.



On request covers in polypropylene orange Ral 2004 colour.



On request covers in polypropylene red Ral 3000 colour.



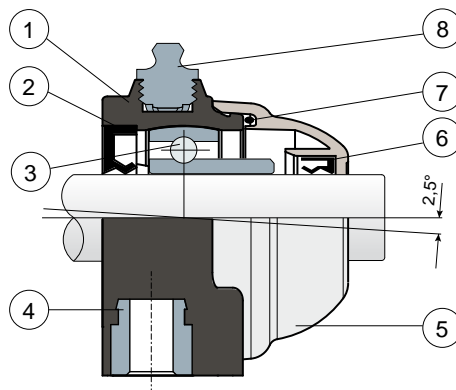
Self-aligning bearings with Solid body: completely closed surface to guarantee the max hygiene.



Long Life bearings: life long lubrication.



Full protection of bearing



- 1) Housing made out of black or white colour polyamide reinforced with glass fibers.
- 2) Back gasket made out of NBR rubber for turning shaft seal.
- 3) Chrome steel or stainless steel bearing AISI 440.
- 4) Bushing made of nickel plated brass.
- 5) Protection cover made out of polypropylene (grey colour Ral 7042).
- 6) Front gasket made out of NBR rubber for turning shaft seal.
- 7) OR gasket made out of NBR rubber.
- 8) Greaser, straight type with 1/8 gas thread, made out of nickel-plated brass (absent in the versions with Long Life bearing).

N.B.: In the Long Life version, the greaser is absent and the lubrication channel is protected by a rubber cap.

Support dimensions respect ISO 3228 set of rules.

Maximum shaft alignment error 2,5°.

For further information please contact our technical office or sales department.

MATERIALS: Housing is made out of PA + glass fiber in black or white colours; chrome steel or stainless steel bearing; greaser and bushings made out of nickel plated brass; gaskets made out of NBR rubber; cover made out of grey RAL 7042 colour polypropylene.

FEATURES: Full protection of bearing against external agents. Assembly with not shouldered shafts. Maximum shaft alignment error 2,5°.

BOX QUANTITY: 8 pieces.

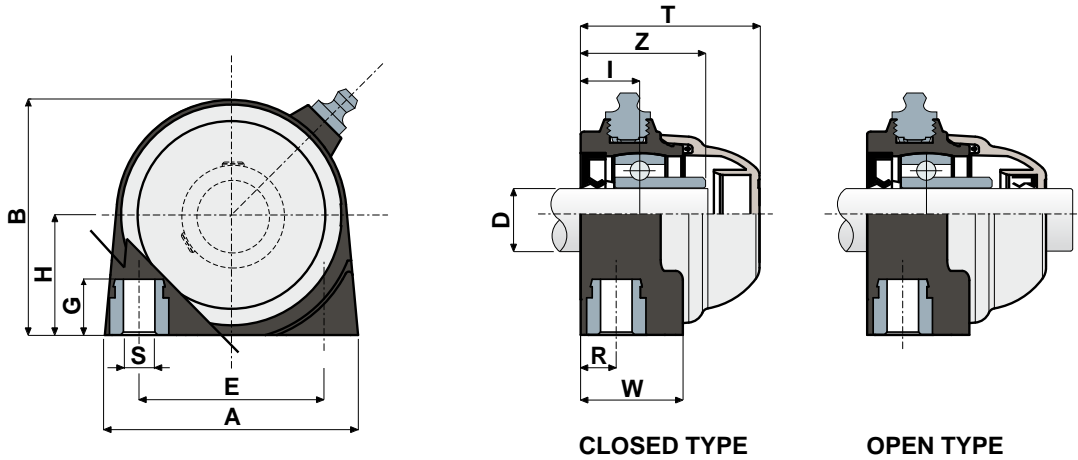
ON REQUEST: Versions with body in polypropylene + glass fiber and antibacterial additive; supports with eccentric collar shaft locking with chrome steel bearing; protection covers in different colours and with customized brand; box quantity according to your request; Viton gaskets.







Compact Pillow Blocks (Solid)

Technical data

Serie **UCPA/C**



CHROME STEEL BEARING																							
D	SERIE	CODES								DIMENSIONS (mm)										Bearing load (N)		Bearing support load	
		Standard bearing				Long Life bearing				E	A	S	G	H	B	R	W	I	Z	T	C	CO	(N)
		Black		White		Black		White															
Closed	Open	Closed	Open	Closed	Open	Closed	Open	Closed	Open														
20	UCPA 204 C 	85601	85603	85618	85619	86738	86805	90244	90245	50,8	70	M8	13	33,2	65	10	28	16,2	34,2	49	12800	6600	2500
25	UCPA 205 C 	85604	85605	85620	85621	88726	90243	90246	90247	50,8	75	M10	13	36,5	72	12	30	18,8	38,3	52	14000	7800	3000

STAINLESS STEEL BEARING AISI 440																							
D	SERIE	CODES								DIMENSIONS (mm)										Bearing load (N)		Bearing support load	
		Standard bearing				Long Life bearing				E	A	S	G	H	B	R	W	I	Z	T	C	CO	(N)
		Black		White		Black		White															
Closed	Open	Closed	Open	Closed	Open	Closed	Open	Closed	Open														
20	UCPA 204 C 	85606	85607	85622	85623	90248	90249	90252	90253	50,8	70	M8	13	33,2	65	10	28	16,2	34,2	49	8300	6600	2500
25	UCPA 205 C 	85608	85609	85624	85625	90250	90251	90254	90255	50,8	75	M10	13	36,5	72	12	30	18,8	38,3	52	9150	7800	3000



Compact Pillow Blocks (Solid)

Serie **UCPA/CX**



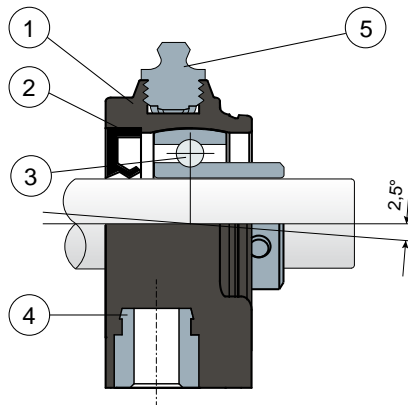
Self-aligning bearings with Solid body: completely closed surface to guarantee the max hygiene.



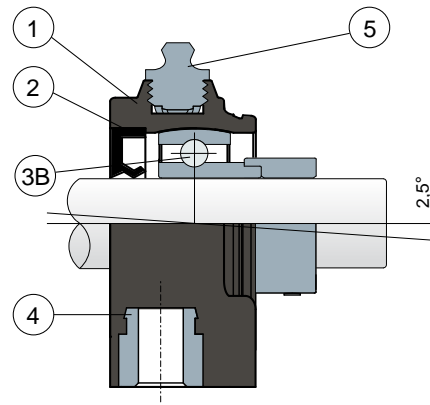
Long Life bearings: life long lubrication.



Grub screws shaft locking - Without protection cover



Eccentric collar shaft locking - Without protection cover



- 1) Housing made out of black, white or blue Ral 5005 colour polyamide reinforced with glass fibers.
- 2) Back gasket made out of NBR rubber for turning shaft seal.
- 3) Chrome steel or stainless steel bearing AISI 440.
- 3B) Chrome steel bearing.
- 4) Bushing made of nickel plated brass.
- 5) Greaser, straight type with 1/8 gas thread, made out of nickel-plated brass (absent in the versions with Long Life bearing).

NOTE: The protection cover can be ordered separately as an accessory; in the Long Life version, the greaser is absent and the lubrication channel is protected by a rubber cap.

Support dimensions respect ISO 3228 set of rules.

Maximum shaft alignment error 2,5°.

For further information please contact our technical office or sales department.

MATERIALS: Housing is made out of PA + glass fiber in black, white or blue Ral 5005 colours; bearing with grub screws shaft locking in chrome steel or stainless steel; bearing with eccentric collar shaft locking in chrome steel; greaser and bushings made out of nickel plated brass; gaskets made out of NBR rubber; cover made out of polypropylene grey Ral 7042, blue Ral 5015, orange Ral 2004 or red Ral 3000 colour.

FEATURES: The protection cover can be ordered separately as an accessory. Assembly with not shouldered shafts. Maximum shaft alignment error 2,5°.

BOX QUANTITY: 8 pieces.

ON REQUEST: Versions with body in polypropylene + glass fiber and antibacterial additive; protection covers in different colours and with customized brand; box quantity according to your request; Viton gaskets.



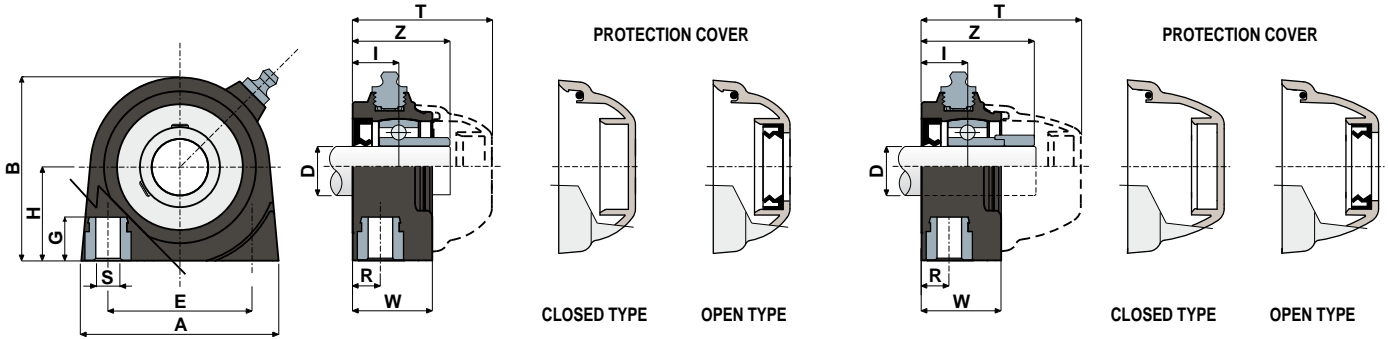
Compact Pillow Blocks (Solid)

Technical data

Serie **UCPA/CX**

GRUB SCREWS SHAFT LOCKING

ECCENTRIC COLLAR SHAFT LOCKING



GRUB SCREWS SHAFT LOCKING

D	SERIE	CHROME STEEL BEARING														COVER CODES													
		Support CODES						DIMENSIONS (mm)								Bearing load (N)		Bearing support load		GREY RAL 7042				BLUE RAL 5015		ORANGE RAL 2004		RED RAL 3000	
		Standard bearing			Long Life bearing			E	A	S	G	H	B	R	W	I	Z	T	C	CO	(N)	Closed	Open	Closed	Open	Closed	Open	Closed	Open
20	UCPA 204 CX	85610	85626	89259	87583	90256	90258	50,8	70	M8	13	33,2	65	10	28	16,2	34,2	49	12800	6600	2500	80254	80255	87259	83901	82305	82306	87540	87541
25	UCPA 205 CX	85611	85627	89260	86815	90257	90259	50,8	75	M10	13	36,5	72	12	30	18,8	38,3	52	14000	7800	3000	80075	80076	85384	85385	82276	82277	87542	87543

ECCENTRIC COLLAR SHAFT LOCKING

D	SERIE	CHROME STEEL BEARING														COVER CODES							
		Support CODES						DIMENSIONS (mm)								Bearing load (N)		Bearing support load		GREY RAL 7042			
		Standard bearing			Long Life bearing			E	A	S	G	H	B	R	W	I	Z	T	C	CO	(N)	Closed	Open
20	UCPA 204 CX	88607	88609	89261	90260	90262	90264	50,8	70	M8	13	33,2	65	10	28	16,2	39,7	56	12800	6600	2500	88371	88372
25	UCPA 205 CX	88608	88610	89262	90261	90263	90265	50,8	75	M10	13	36,5	72	12	30	18,8	42,3	58	14000	7800	3000	88373	88374

GRUB SCREWS SHAFT LOCKING

D	SERIE	STAINLESS STEEL BEARING AISI 440														COVER CODES													
		Support CODES						DIMENSIONS (mm)								Bearing load (N)		Bearing support load		GREY RAL 7042				BLUE RAL 5015		ORANGE RAL 2004		RED RAL 3000	
		Standard bearing			Long Life bearing			E	A	S	G	H	B	R	W	I	Z	T	C	CO	(N)	Closed	Open	Closed	Open	Closed	Open	Closed	Open
20	UCPA 204 CX	85612	85628	89263	90266	90268	90270	50,8	70	M8	13	33,2	65	10	28	16,2	34,2	49	8300	6600	2500	80254	80255	87259	83901	82305	82306	87540	87541
25	UCPA 205 CX	85613	85629	89220	90267	90269	90271	50,8	75	M10	13	36,5	72	12	30	18,8	38,3	52	9150	7800	3000	80075	80076	85384	85385	82276	82277	87542	87543



Compact Pillow Blocks (Solid)

Serie **UCPA**



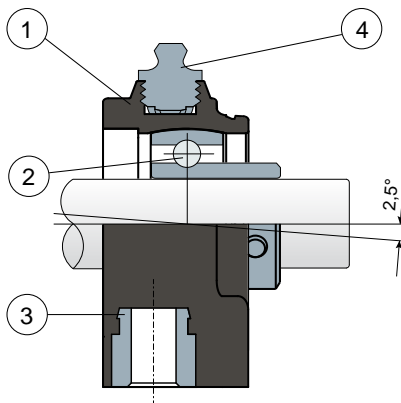
Self-aligning bearings with Solid body: completely closed surface to guarantee the max hygiene.



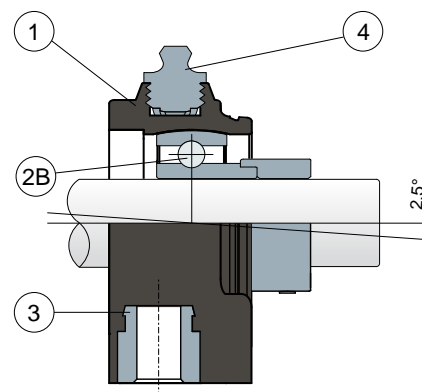
Long Life bearings: life long lubrication.



Grub screws shaft locking - Without cover and back gasket



Eccentric collar shaft locking - Without cover and back gasket



- 1) Housing made out of black, white or blue Ral 5005 colour polyamide reinforced with glass fibers.
- 2) Chrome steel or stainless steel bearing AISI 440.
2B) Chrome steel bearing.
- 3) Bushing made of nickel plated brass.
- 4) Greaser, straight type with 1/8 gas thread, made out of nickel-plated brass (absent in the versions with Long Life bearing).

NOTE: The back gasket and the protection cover can be ordered separately as accessories; in the Long Life version, the greaser is absent and the lubrication channel is protected by a rubber cap.

Support dimensions respect ISO 3228 set of rules.
Maximum shaft alignment error 2,5°.
For further information please contact our technical office or sales department.

MATERIALS: Housing is made out of PA + glass fiber in black, white or blue Ral 5005 colours; bearing with grub screws shaft locking in chrome steel or stainless steel; bearing with eccentric collar shaft locking in chrome steel; greaser and bushings made out of nickel plated brass; gaskets made out of NBR rubber; cover made out of polypropylene grey Ral 7042, blue Ral 5015, orange Ral 2004 or red Ral 3000 colour.

FEATURES: The back gasket and the protection cover can be ordered separately as accessories. Assembly with shouldered and not shouldered shafts. Maximum shaft alignment error 2,5°.

BOX QUANTITY: 8 pieces.

ON REQUEST: Versions with body in polypropylene + glass fiber and antibacterial additive; protection covers in different colours and with customized brand; box quantity according to your request; Viton gaskets.



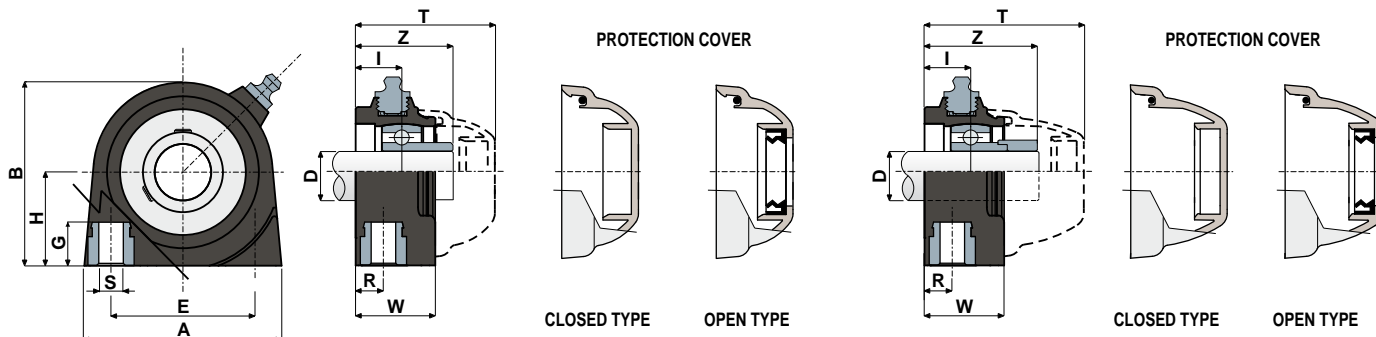
Compact Pillow Blocks (Solid)

Technical data



Serie **UCPA**

GRUB SCREWS SHAFT LOCKING



ECCENTRIC COLLAR SHAFT LOCKING





GRUB SCREWS SHAFT LOCKING

D	SERIE	CHROME STEEL BEARING																COVER CODES													
		Support CODES						DIMENSIONS (mm)										Bearing load (N)		Bearing support load		GREY RAL 7042				BLUE RAL 5015		ORANGE RAL 2004		RED RAL 3000	
		Standard bearing			Long Life bearing			E	A	S	G	H	B	R	W	I	Z	T	C	CO	(N)	Closed	Open	Closed	Open	Closed	Open	Closed	Open		
20	UCPA 204 	85614	85630	89264	90272	90274	90276	50,8	70	M8	13	33,2	65	10	28	16,2	34,2	49	12800	6600	2500	80254	80255	87259	83901	82305	82306	87540	87541		
25	UCPA 205 	85615	85631	89265	90273	90275	90277	50,8	75	M10	13	36,5	72	12	30	18,8	38,3	52	14000	7800	3000	80075	80076	85384	85385	82276	82277	87542	87543		

ECCENTRIC COLLAR SHAFT LOCKING

D	SERIE	CHROME STEEL BEARING																COVER CODES					
		Support CODES						DIMENSIONS (mm)										Bearing load (N)		Bearing support load		GREY RAL 7042	
		Standard bearing			Long Life bearing			E	A	S	G	H	B	R	W	I	Z	T	C	CO	(N)	Closed	Open
20	UCPA 204 	88611	88613	89266	90278	90280	90282	50,8	70	M8	13	33,2	65	10	28	16,2	39,7	56	12800	6600	2500	88371	88372
25	UCPA 205 	88612	88614	89267	90279	90281	90283	50,8	75	M10	13	36,5	72	12	30	18,8	42,3	58	14000	7800	3000	88373	88374

GRUB SCREWS SHAFT LOCKING

D	SERIE	STAINLESS STEEL BEARING AISI 440																COVER CODES													
		Support CODES						DIMENSIONS (mm)										Bearing load (N)		Bearing support load		GREY RAL 7042				BLUE RAL 5015		ORANGE RAL 2004		RED RAL 3000	
		Standard bearing			Long Life bearing			E	A	S	G	H	B	R	W	I	Z	T	C	CO	(N)	Closed	Open	Closed	Open	Closed	Open	Closed	Open		
20	UCPA 204 	85616	85632	89268	90284	90286	90288	50,8	70	M8	13	33,2	65	10	28	16,2	34,2	49	8300	6600	2500	80254	80255	87259	83901	82305	82306	87540	87541		
25	UCPA 205 	85617	85633	89269	90285	90287	90289	50,8	75	M10	13	36,5	72	12	30	18,8	38,3	52	9150	7800	3000	80075	80076	85384	85385	82276	82277	87542	87543		



Take-up bearing supports (Solid)

Serie **UCT/C**



On request covers in polypropylene blue Ral 5015 colour.



On request covers in polypropylene orange Ral 2004 colour.



On request covers in polypropylene red Ral 3000 colour.



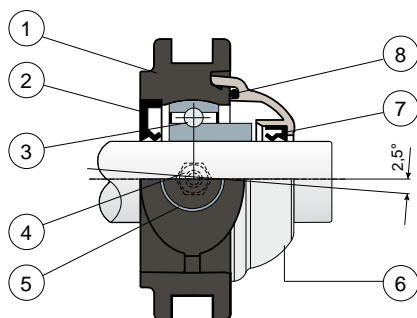
Self-aligning bearings with Solid body: completely closed surface to guarantee the max hygiene.



Long Life bearings: life long lubrication.



Full protection of bearing



- 1) Housing made out of black or white colour polyamide reinforced with glass fibers.
- 2) Back gasket made out of NBR rubber for turning shaft seal.
- 3) Chrome steel or stainless steel bearing AISI 440.
- 4) Greaser, straight type with 1/8 gas thread, made out of nickel-plated brass (absent in the versions with Long Life bearing).
- 5) Bushing made of nickel plated brass.
- 6) Protection cover made out of polypropylene (grey colour Ral 7042).
- 7) Front gasket made out of NBR rubber for turning shaft seal.
- 8) OR gasket made out of NBR rubber.

N.B.: In the Long Life version, the greaser is absent and the lubrication channel is protected by a rubber cap.

Support dimensions respect ISO 3228 set of rules.

Maximum shaft alignment error 2,5°.

For further information please contact our technical office or sales department.

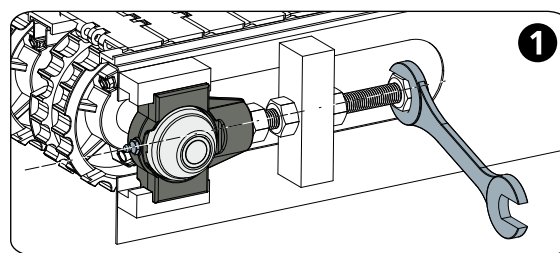
MATERIALS: Housing is made out of PA + glass fiber in black or white colours; chrome steel or stainless steel bearing; greaser and bushings made out of nickel plated brass; gaskets made out of NBR rubber; cover made out of grey RAL 7042 colour polypropylene.

FEATURES: Full protection of bearing against external agents. Assembly with not shouldered shafts. Maximum shaft alignment error 2,5°.

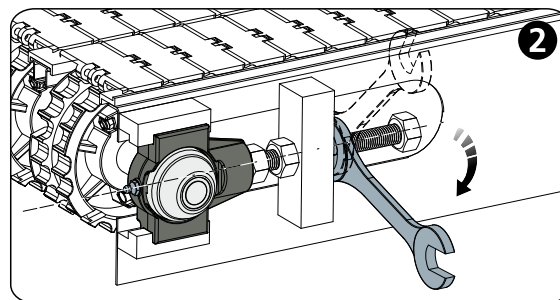
BOX QUANTITY: 8 pieces.

ON REQUEST: Versions with body in polypropylene + glass fiber and antibacterial additive; supports with eccentric collar shaft locking with chrome steel bearing; protection covers in different colours and with customized brand; box quantity according to your request; Viton gaskets.

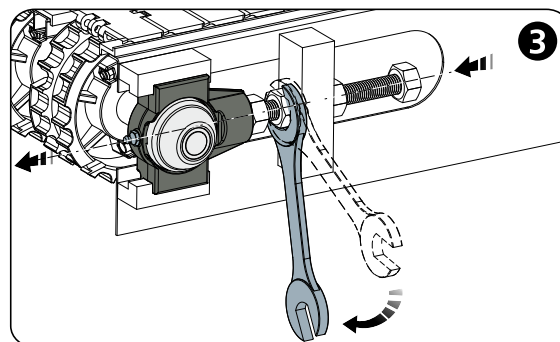
Example of application



Lock the shaft



Unscrew the lock



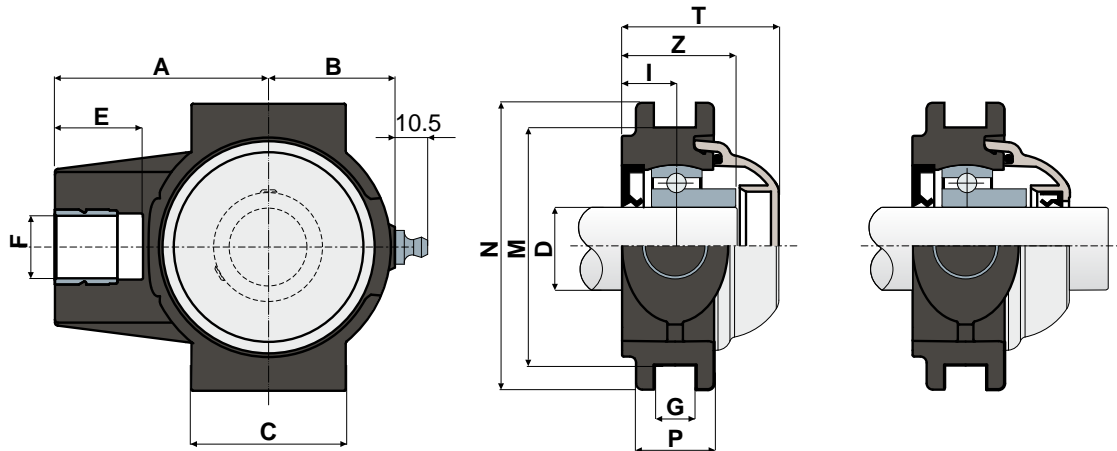
Screw to make the support advance



Take-up bearing supports (Solid)




Technical data




Serie **UCT/C**



CLOSED TYPE

OPEN TYPE

CHROME STEEL BEARING																								
D	SERIE	CODES								DIMENSIONS (mm)								Bearing load (N)		Bearing support load (N)				
		Standard bearing				Long Life bearing				A	B	C	E	F	G	I	M	N	P		Z	T	C	CO
		Black		White		Black	White																	
		Closed	Open	Closed	Open	Closed	Open																	
20	UCT 204 C 	85672	85673	85676	85677	90290	90291	90296	90297	63,5	35	50	28	M16	13,5	17	76,2	92	25	35	50	12800	6600	16000
25	UCT 205 C 	86103	86104	86105	86106	90292	90293	90298	90299	68,5	40,5	50	28	M20	13,5	17	76,2	92	25	36,5	50,2	14000	7800	24000
30	UCT 206 C 	86120	86122	86124	86126	90294	90295	90300	90301	77	48	57	28	M24	13,5	18,5	89	104	28	40,5	55,7	19500	11300	27000

STAINLESS STEEL BEARING AISI 440																								
D	SERIE	CODES								DIMENSIONS (mm)								Bearing load (N)		Bearing support load (N)				
		Standard bearing				Long Life bearing				A	B	C	E	F	G	I	M	N	P		Z	T	C	CO
		Black		White		Black	White																	
		Closed	Open	Closed	Open	Closed	Open																	
20	UCT 204 C 	85674	85675	85678	85679	90302	90303	90308	90309	63,5	35	50	28	M16	13,5	17	76,2	92	25	35	50	8300	6600	16000
25	UCT 205 C 	86107	86108	86109	86110	90304	90305	90310	90311	68,5	40,5	50	28	M20	13,5	17	76,2	92	25	36,5	50,2	9150	7800	24000
30	UCT 206 C 	86128	86130	86132	86134	90306	90307	90312	90313	77	48	57	28	M24	13,5	18,5	89	104	28	40,5	55,7	12500	11200	27000



Take-up bearing supports (Solid)

Serie **UCT/CX**



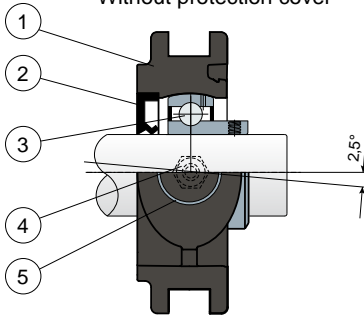
Self-aligning bearings with Solid body: completely closed surface to guarantee the max hygiene.



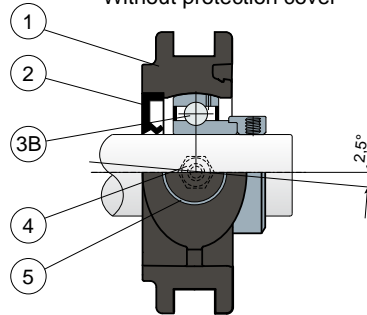
Long Life bearings: life long lubrication.



Grub screws shaft locking
Without protection cover



Eccentric collar shaft locking
Without protection cover



- 1) Housing made out of black, white or blue Ral 5005 colour polyamide reinforced with glass fibers.
- 2) Back gasket made out of NBR rubber for turning shaft seal.
- 3) Chrome steel or stainless steel bearing AISI 440.
- 3B) Chrome steel bearing.
- 4) Greaser, straight type with 1/8 gas thread, made out of nickel-plated brass (absent in the versions with Long Life bearing).
- 5) Bushing made of nickel plated brass.

NOTE: The protection cover can be ordered separately as an accessory; in the Long Life version, the greaser is absent and the lubrication channel is protected by a rubber cap.

Support dimensions respect ISO 3228 set of rules.
Maximum shaft alignment error 2,5°.
For further information please contact our technical office or sales department.

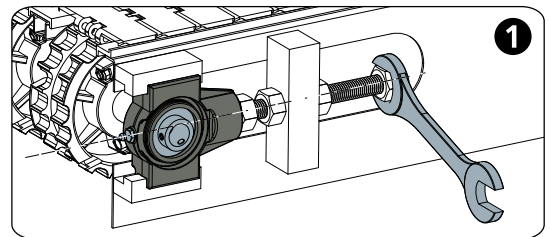
MATERIALS: Housing is made out of PA + glass fiber in black, white or blue Ral 5005 colours; bearing with grub screws shaft locking in chrome steel or stainless steel; bearing with eccentric collar shaft locking in chrome steel; greaser and bushings made out of nickel plated brass; gaskets made out of NBR rubber; cover made out of polypropylene grey Ral 7042, blue Ral 5015, orange Ral 2004 or red Ral 3000 colour.

FEATURES: The protection cover can be ordered separately as an accessory. Assembly with not shouldered shafts. Maximum shaft alignment error 2,5°.

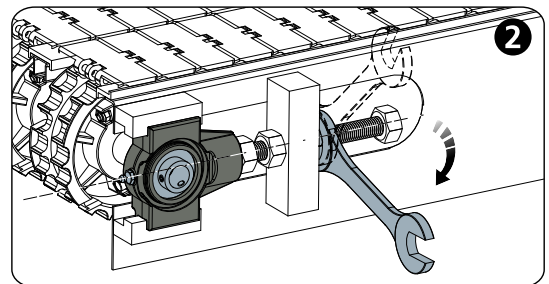
BOX QUANTITY: 8 pieces.

ON REQUEST: Versions with body in polypropylene + glass fiber and anti-bacterial additive; protection covers in different colours and with customized brand; box quantity according to your request; Viton gaskets.

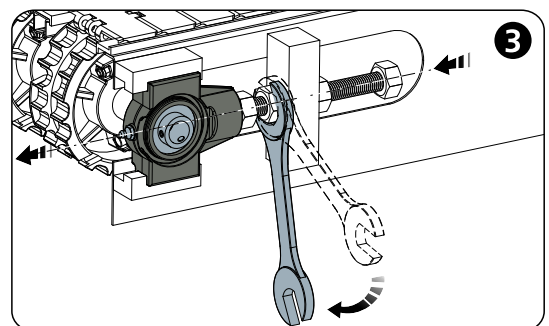
Example of application



Lock the shaft



Unscrew the lock



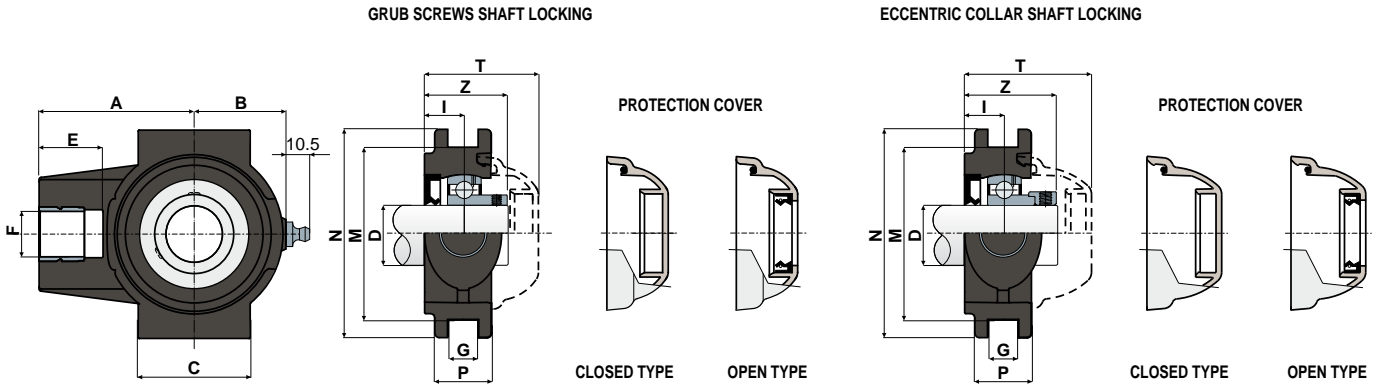
Screw to make the support advance





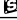
Take-up bearing supports (Solid)

Technical data


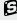

Serie **UCT/CX**






GRUB SCREWS SHAFT LOCKING

D	SERIE	CHROME STEEL BEARING																	COVER CODES																					
		Support CODES						DIMENSIONS (mm)											Bearing load (N)			Bearing support load			GREY RAL 7042				BLUE RAL 5015				ORANGE RAL 2004				RED RAL 3000			
		Standard bearing			Long Life bearing			A	B	C	E	F	G	I	M	N	P	Z	T	C	CO	(N)	Closed	Open	Closed	Open	Closed	Open	Closed	Open	Closed	Open	Closed	Open						
		Black	White	Blue Ral.5005	Black	White	Blue Ral.5005																																	
20	UCT 204 CX 	85680	85682	89270	90314	90316	90319	63,5	35	50	28	M16	13,5	17	76,2	92	25	35	50	12800	6600	16000	80254	80255	87259	83901	82305	82306	87540	87541										
25	UCT 205 CX 	86111	86112	89271	88136	90317	90320	68,5	40,5	50	28	M20	13,5	17	76,2	92	25	36,5	50,2	14000	7800	24000	80075	80076	85384	85385	82276	82277	87542	87543										
30	UCT 206 CX 	86136	86138	89272	90315	90318	90321	77	48	57	28	M24	13,5	18,5	89	104	28	40,5	55,7	19500	11300	27000	80011	80053	84100	80354	82278	82279	87531	87530										

ECCENTRIC COLLAR SHAFT LOCKING

D	SERIE	CHROME STEEL BEARING																	COVER CODES						
		Support CODES						DIMENSIONS (mm)											Bearing load (N)			Bearing support load		GREY RAL 7042	
		Standard bearing			Long Life bearing			A	B	C	E	F	G	I	M	N	P	Z	T	C	CO	(N)	Closed	Open	
		Black	White	Blue Ral.5005	Black	White	Blue Ral.5005																		
20	UCT 204 CX 	88615	88618	89273	90322	90325	90328	63,5	35	50	28	M16	13,5	17	76,2	92	25	40,5	56,7	12800	6600	16000	88371	88372	
25	UCT 205 CX 	88616	88619	89274	90323	90326	90329	68,5	40,5	50	28	M20	13,5	17	76,2	92	25	40,5	56	14000	7800	24000	88373	88374	
30	UCT 206 CX 	88617	88620	89275	90324	90327	90330	77	48	57	28	M24	13,5	18,5	89	104	28	45,2	62	19500	11300	27000	88375	88376	

GRUB SCREWS SHAFT LOCKING

D	SERIE	STAINLESS STEEL BEARING AISI 440																	COVER CODES																				
		Support CODES						DIMENSIONS (mm)											Bearing load (N)			Bearing support load		GREY RAL 7042				BLUE RAL 5015				ORANGE RAL 2004				RED RAL 3000			
		Standard bearing			Long Life bearing			A	B	C	E	F	G	I	M	N	P	Z	T	C	CO	(N)	Closed	Open	Closed	Open	Closed	Open	Closed	Open									
		Black	White	Blue Ral.5005	Black	White	Blue Ral.5005																																
20	UCT 204 CX 	85681	85683	89276	90331	90334	90337	63,5	35	50	28	M16	13,5	17	76,2	92	25	35	50	8300	6600	16000	80254	80255	87259	83901	82305	82306	87540	87541									
25	UCT 205 CX 	86113	86114	89277	90332	90335	90338	68,5	40,5	50	28	M20	13,5	17	76,2	92	25	36,5	50,2	9150	7800	24000	80075	80076	85384	85385	82276	82277	87542	87543									
30	UCT 206 CX 	86140	86142	89278	90333	90336	90339	77	48	57	28	M24	13,5	18,5	89	104	28	40,5	55,7	12500	11200	27000	80011	80053	84100	80354	82278	82279	87531	87530									



Take-up bearing supports (Solid)

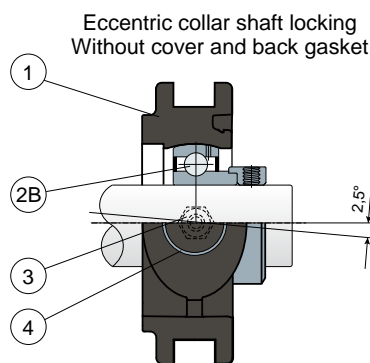
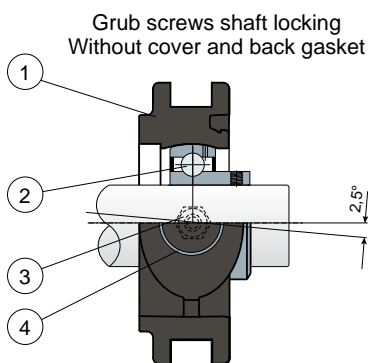
Serie **UCT**



Self-aligning bearings with Solid body: completely closed surface to guarantee the max hygiene.



Long Life bearings: life long lubrication.



- 1) Housing made out of black, white or blue Ral 5005 colour polyamide reinforced with glass fibers.
- 2) Chrome steel or stainless steel bearing AISI 440.
- 2B) Chrome steel bearing.
- 3) Greaser, straight type with 1/8 gas thread, made out of nickel-plated brass (absent in the versions with Long Life bearing).
- 4) Bushing made of nickel plated brass.

NOTE: The back gasket and the protection cover can be ordered separately as accessories; in the Long Life version, the greaser is absent and the lubrication channel is protected by a rubber cap.

Support dimensions respect ISO 3228 set of rules.
Maximum shaft alignment error 2,5°.

For further information please contact our technical office or sales department.

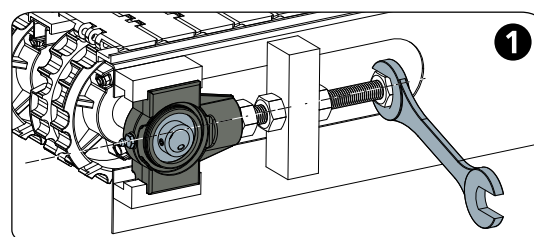
MATERIALS: Housing is made out of PA + glass fiber in black, white or blue Ral 5005 colours; bearing with grub screws shaft locking in chrome steel or stainless steel; bearing with eccentric collar shaft locking in chrome steel; greaser and bushings made out of nickel plated brass; gaskets made out of NBR rubber; cover made out of polypropylene grey Ral 7042, blue Ral 5015, orange Ral 2004 or red Ral 3000 colour.

FEATURES: The back gasket and the protection cover can be ordered separately as accessories. Assembly with shouldered and not shouldered shafts. Maximum shaft alignment error 2,5°.

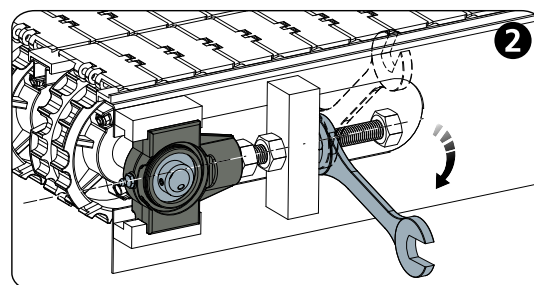
BOX QUANTITY: 8 pieces.

ON REQUEST: Versions with body in polypropylene + glass fiber and anti-bacterial additive; protection covers in different colours and with customized brand; box quantity according to your request; Viton gaskets.

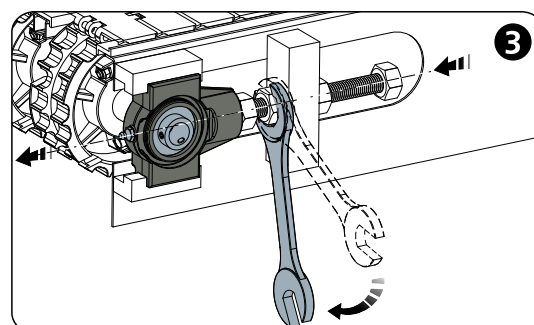
Example of application



Lock the shaft



Unscrew the lock



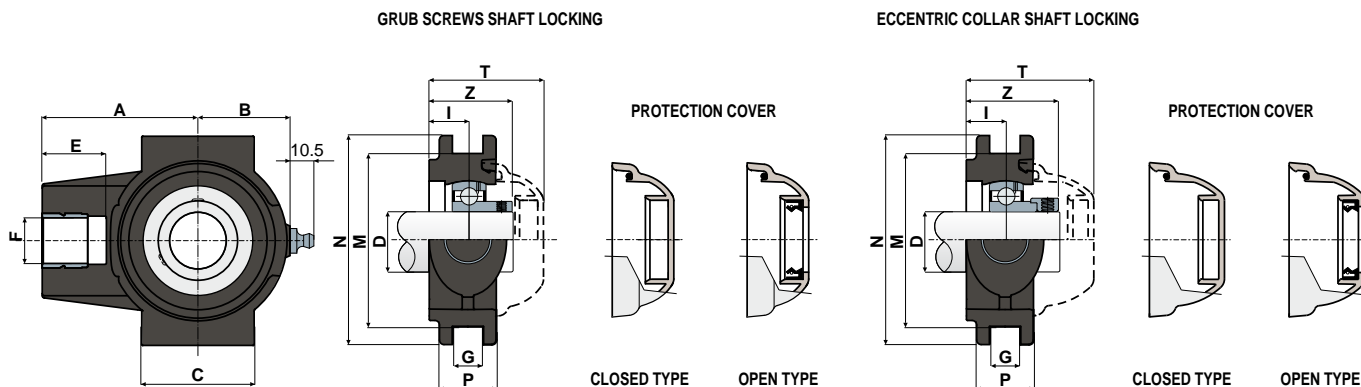
Screw to make the support advance



Take-up bearing supports (Solid)

Technical data

Serie **UCT**



GRUB SCREWS SHAFT LOCKING

D	SERIE	CHROME STEEL BEARING																	COVER CODES											
		Support CODES						DIMENSIONS (mm)											Bearing load (N)			Bearing support load								
		Standard bearing			Long Life bearing			A	B	C	E	F	G	I	M	N	P	Z	T	C	CO	(N)	GREY RAL 7042		BLUE RAL 5015		ORANGE RAL 2004		RED RAL 3000	
Black	White	Blue Ral 5005	Black	White	Blue Ral 5005																Closed	Open	Closed	Open	Closed	Open	Closed	Open		
20	UCT 204	85684	85686	89279	90340	90343	90346	63,5	35	50	28	M16	13,5	17	76,2	92	25	35	50	12800	6600	16000	80254	80255	87259	83901	82305	82306	87540	87541
25	UCT 205	86115	86116	89280	90341	90344	90347	68,5	40,5	50	28	M20	13,5	17	76,2	92	25	36,5	50,2	14000	7800	24000	80075	80076	85384	85385	82276	82277	87542	87543
30	UCT 206	86144	86146	89281	90342	90345	90348	77	48	57	28	M24	13,5	18,5	89	104	28	40,5	55,7	19500	11300	27000	80011	80053	84100	80354	82278	82279	87531	87530

ECCENTRIC COLLAR SHAFT LOCKING

D	SERIE	CHROME STEEL BEARING																	COVER CODES					
		Support CODES						DIMENSIONS (mm)											Bearing load (N)			Bearing support load		
		Standard bearing			Long Life bearing			A	B	C	E	F	G	I	M	N	P	Z	T	C	CO	(N)	GREY RAL 7042	
Black	White	Blue Ral 5005	Black	White	Blue Ral 5005																Closed	Open		
20	UCT 204	88621	88624	89282	90349	90352	90355	63,5	35	50	28	M16	13,5	17	76,2	92	25	40,5	56,7	12800	6600	16000	88371	88372
25	UCT 205	88622	88625	89283	90350	90353	90356	68,5	40,5	50	28	M20	13,5	17	76,2	92	25	40,5	56	14000	7800	24000	88373	88374
30	UCT 206	88623	88626	89284	90351	90354	90357	77	48	57	28	M24	13,5	18,5	89	104	28	45,2	62	19500	11300	27000	88375	88376

GRUB SCREWS SHAFT LOCKING

D	SERIE	STAINLESS STEEL BEARING AISI 440																	COVER CODES											
		Support CODES						DIMENSIONS (mm)											Bearing load (N)			Bearing support load								
		Standard bearing			Long Life bearing			A	B	C	E	F	G	I	M	N	P	Z	T	C	CO	(N)	GREY RAL 7042		BLUE RAL 5015		ORANGE RAL 2004		RED RAL 3000	
Black	White	Blue Ral 5005	Black	White	Blue Ral 5005																Closed	Open	Closed	Open	Closed	Open	Closed	Open		
20	UCT 204	85685	85687	89285	90358	90361	90364	63,5	35	50	28	M16	13,5	17	76,2	92	25	35	50	8300	6600	16000	80254	80255	87259	83901	82305	82306	87540	87541
25	UCT 205	86117	86118	89286	90359	90362	90365	68,5	40,5	50	28	M20	13,5	17	76,2	92	25	36,5	50,2	9150	7800	24000	80075	80076	85384	85385	82276	82277	87542	87543
30	UCT 206	86148	86150	89287	90360	90363	90366	77	48	57	28	M24	13,5	18,5	89	104	28	40,5	55,7	12500	11200	27000	80011	80053	84100	80354	82278	82279	87531	87530



Round flanged bearing supports

Serie **UCFC/C**



On request covers in polypropylene blue Ral 5015 colour.



On request covers in polypropylene orange Ral 2004 colour.



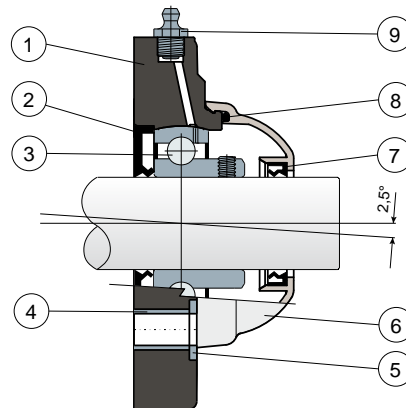
On request covers in polypropylene red Ral 3000 colour.



Long Life bearings: life long lubrication.



Full protection of bearing



- 1) Housing made out of black or white colour polyamide reinforced with glass fibers.
- 2) Back gasket made out of NBR rubber for turning shaft seal.
- 3) Chrome steel or stainless steel bearing AISI 440.
- 4) Spacer for fixing reinforcement made out of stainless steel AISI 304.
- 5) UNI 6592 support washer made out of stainless steel AISI 304.
- 6) Protection cover made out of polypropylene (grey colour Ral 7042).
- 7) Front gasket made out of NBR rubber for turning shaft seal.
- 8) OR gasket made out of NBR rubber.
- 9) Greaser, straight type with 1/8 gas thread, made out of nickel-plated brass (absent in the versions with Long Life bearing).

N.B.: In the Long Life version, the greaser is absent and the lubrication channel is protected by a rubber cap.

Support dimensions respect ISO 3228 set of rules.

Maximum shaft alignment error 2,5°.

For further information please contact our technical office or sales department.

MATERIALS: Housing is made out of PA + glass fiber in black or white colours; chrome steel or stainless steel bearing; greaser made out of nickel plated brass; reinforcement bushings and washers made out of stainless steel AISI 304; gaskets made out of NBR rubber; cover made out of grey RAL 7042 colour polypropylene.

FEATURES: Full protection of bearing against external agents. Assembly with not shouldered shafts. Maximum shaft alignment error 2,5°.

BOX QUANTITY: 8 pieces.

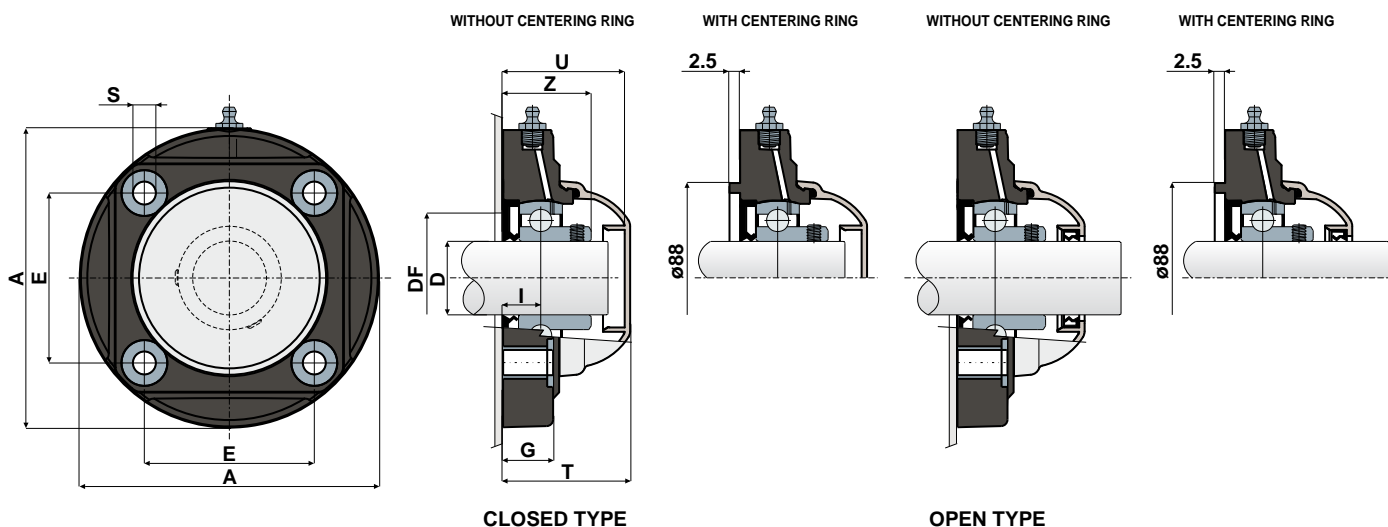
ON REQUEST: Versions with body in polypropylene + glass fiber and antibacterial additive; supports with eccentric collar shaft locking with chrome steel bearing; protection covers in different colours and with customized brand; box quantity according to your request; Viton gaskets.



Round flanged bearing supports

Technical data

Serie **UCFC/C**



FLANGE WITHOUT CENTERING RING

CHROME STEEL BEARING																						
D	SERIE	CODES								DIMENSIONS (mm)								Bearing load (N)		Bearing support load		
		Standard bearing				Long Life bearing				E	A	S	G	I	Z	U	T	DF		C	CO	(N)
		Black		White		Black		White										Max	Min			
		Closed	Open	Closed	Open	Closed	Open	Closed	Open													
35	UCFC 207 C	85647	85649	85655	85657	90367	90368	90369	90370	77,8	137	10,5	26	17	40,8	56	58	70	55	25500	15300	19550

STAINLESS STEEL BEARING AISI 440																						
D	SERIE	CODES								DIMENSIONS (mm)								Bearing load (N)		Bearing support load		
		Standard bearing				Long Life bearing				E	A	S	G	I	Z	U	T	DF		C	CO	(N)
		Black		White		Black		White										Max	Min			
		Closed	Open	Closed	Open	Closed	Open	Closed	Open													
35	UCFC 207 C	85651	85653	85659	85661	90371	90372	90373	90374	77,8	137	10,5	26	17	40,8	56	58	70	55	16600	15300	19550

FLANGE WITH CENTERING RING

CHROME STEEL BEARING																						
D	SERIE	CODES								DIMENSIONS (mm)								Bearing load (N)		Bearing support load		
		Standard bearing				Long Life bearing				E	A	S	G	I	Z	U	T	DF		C	CO	(N)
		Black		White		Black		White										Max	Min			
		Closed	Open	Closed	Open	Closed	Open	Closed	Open													
35	UCFC 207 C	86029	86025	86031	86027	90375	90376	90377	90378	77,8	137	10,5	26	17	40,8	56	58	-	-	25500	15300	19550

STAINLESS STEEL BEARING AISI 440																						
D	SERIE	CODES								DIMENSIONS (mm)								Bearing load (N)		Bearing support load		
		Standard bearing				Long Life bearing				E	A	S	G	I	Z	U	T	DF		C	CO	(N)
		Black		White		Black		White										Max	Min			
		Closed	Open	Closed	Open	Closed	Open	Closed	Open													
35	UCFC 207 C	86030	86026	86032	86028	90379	90380	90381	90382	77,8	137	10,5	26	17	40,8	56	58	-	-	16600	15300	19550



Round flanged bearing supports

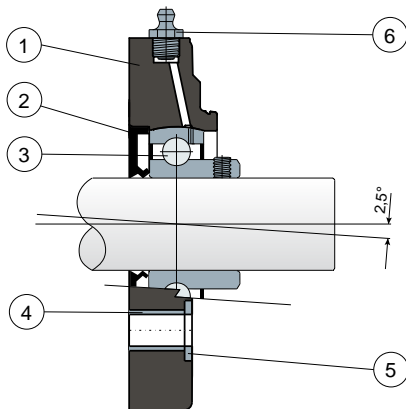
Serie **UCFC/CX**



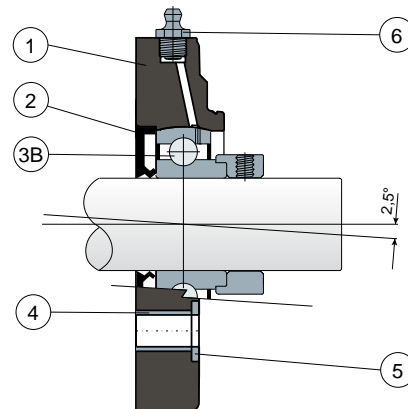
Long Life bearings: life long lubrication.



Grub screws shaft locking - Without protection cover



Eccentric collar shaft locking - Without protection cover



- 1) Housing made out of black or white colour polyamide reinforced with glass fibers.
- 2) Back gasket made out of NBR rubber for turning shaft seal.
- 3) Chrome steel or stainless steel bearing AISI 440.
- 3B) Chrome steel bearing.
- 4) Spacer for fixing reinforcement made out of stainless steel AISI 304.
- 5) UNI 6592 support washer made out of stainless steel AISI 304.
- 6) Greaser, straight type with 1/8 gas thread, made out of nickel-plated brass (absent in the versions with Long Life bearing).

NOTE: The protection cover can be ordered separately as an accessory; in the Long Life version, the greaser is absent and the lubrication channel is protected by a rubber cap.

Support dimensions respect ISO 3228 set of rules.

Maximum shaft alignment error 2,5°.

For further information please contact our technical office or sales department.

MATERIALS: Housing is made out of PA + glass fiber in black or white colours; bearing with grub screws shaft locking in chrome steel or stainless steel; bearing with eccentric collar shaft locking in chrome steel; greaser made out of nickel plated brass; reinforcement bushings and washers made out of stainless steel AISI 304; gaskets made out of NBR rubber; cover made out of polypropylene grey Ral 7042, blue Ral 5015, orange Ral 2004 or red Ral 3000 colour.

FEATURES: The protection cover can be ordered separately as an accessory. Assembly with not shouldered shafts. Maximum shaft alignment error 2,5°.

BOX QUANTITY: 8 pieces.

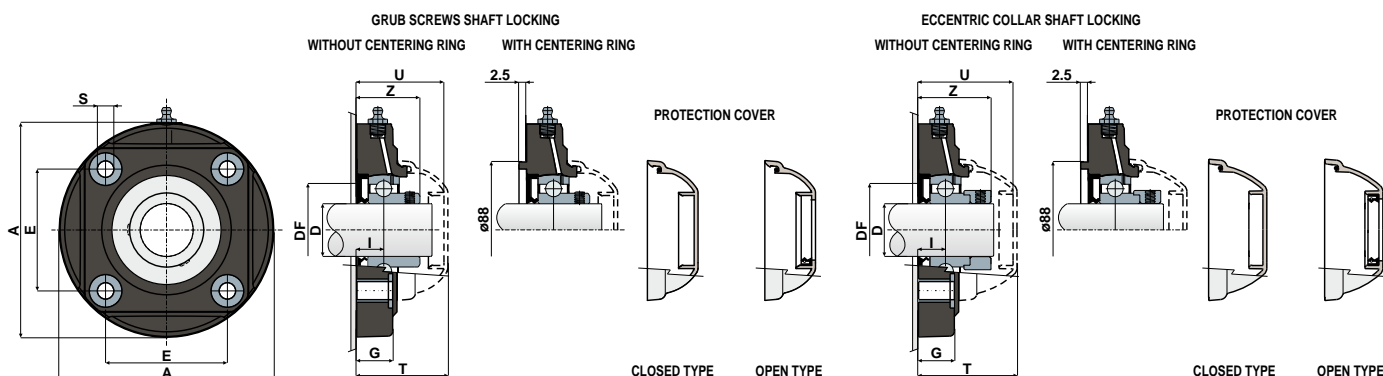
ON REQUEST: Versions with body in polypropylene + glass fiber and antibacterial additive; protection covers in different colours and with customized brand; box quantity according to your request; Viton gaskets.



Round flanged bearing supports

Technical data

Serie **UCFC/CX**



GRUB SCREWS SHAFT LOCKING - FLANGE WITHOUT CENTERING RING

CHROME STEEL BEARING															COVER CODES											
D	SERIE	Support CODES				DIMENSIONS (mm)										Bearing load (N)			Bearing support load		GREY RAL 7042	BLUE RAL 5015	ORANGE RAL 2004	RED RAL 3000		
		Standard bearing	Long Life bearing	E	A	S	G	I	Z	U	T	DF		C	CO	(N)	Closed	Open	Closed	Open	Closed	Open				
		Black	White									Black	White										Max	Min		
35	UCFC 207 CX	85663	85666	90383	90384	77,8	137	10,5	26	17	40,8	56	58	70	55	25500	15300	19550	80077	80078	80969	80275	82284	82285	87544	87545

STAINLESS STEEL BEARING AISI 440															COVER CODES											
D	SERIE	Support CODES				DIMENSIONS (mm)										Bearing load (N)			Bearing support load		GREY RAL 7042	BLUE RAL 5015	ORANGE RAL 2004	RED RAL 3000		
		Standard bearing	Long Life bearing	E	A	S	G	I	Z	U	T	DF		C	CO	(N)	Closed	Open	Closed	Open	Closed	Open				
		Black	White									Black	White										Max	Min		
35	UCFC 207 CX	85665	85667	90385	90386	77,8	137	10,5	26	17	40,8	56	58	70	55	16600	15300	19550	80077	80078	80969	80275	82284	82285	87544	87545

GRUB SCREWS SHAFT LOCKING - FLANGE WITH CENTERING RING

CHROME STEEL BEARING															COVER CODES											
D	SERIE	Support CODES				DIMENSIONS (mm)										Bearing load (N)			Bearing support load		GREY RAL 7042	BLUE RAL 5015	ORANGE RAL 2004	RED RAL 3000		
		Standard bearing	Long Life bearing	E	A	S	G	I	Z	U	T	DF		C	CO	(N)	Closed	Open	Closed	Open	Closed	Open				
		Black	White									Black	White										Max	Min		
35	UCFC 207 CX	86033	86035	90387	90388	77,8	137	10,5	26	17	40,8	56	58	-	-	25500	15300	19550	80077	80078	80969	80275	82284	82285	87544	87545

STAINLESS STEEL BEARING AISI 440															COVER CODES											
D	SERIE	Support CODES				DIMENSIONS (mm)										Bearing load (N)			Bearing support load		GREY RAL 7042	BLUE RAL 5015	ORANGE RAL 2004	RED RAL 3000		
		Standard bearing	Long Life bearing	E	A	S	G	I	Z	U	T	DF		C	CO	(N)	Closed	Open	Closed	Open	Closed	Open				
		Black	White									Black	White										Max	Min		
35	UCFC 207 CX	86034	86036	89214	90389	77,8	137	10,5	26	17	40,8	56	58	-	-	16600	15300	19550	80077	80078	80969	80275	82284	82285	87544	87545

ECCENTRIC COLLAR SHAFT LOCKING - FLANGE WITHOUT CENTERING RING

CHROME STEEL BEARING															COVER CODES						
D	SERIE	Support CODES				DIMENSIONS (mm)										Bearing load (N)			Bearing support load		GREY RAL 7042
		Standard bearing	Long Life bearing	E	A	S	G	I	Z	U	T	DF		C	CO	(N)	Closed	Open			
		Black	White									Black	White						Max	Min	
35	UCFC 207 CX	88706	88707	90390	90391	77,8	137	10,5	26	17	46,7	60,8	63,3	70	55	25500	15300	19550	88377	88378	

ECCENTRIC COLLAR SHAFT LOCKING - FLANGE WITH CENTERING RING

CHROME STEEL BEARING															COVER CODES						
D	SERIE	Support CODES				DIMENSIONS (mm)										Bearing load (N)			Bearing support load		GREY RAL 7042
		Standard bearing	Long Life bearing	E	A	S	G	I	Z	U	T	DF		C	CO	(N)	Closed	Open			
		Black	White									Black	White						Max	Min	
35	UCFC 207 CX	88708	88709	90392	90393	77,8	137	10,5	26	17	46,7	60,8	63,3	-	-	25500	15300	19550	88377	88378	



Round flanged bearing supports

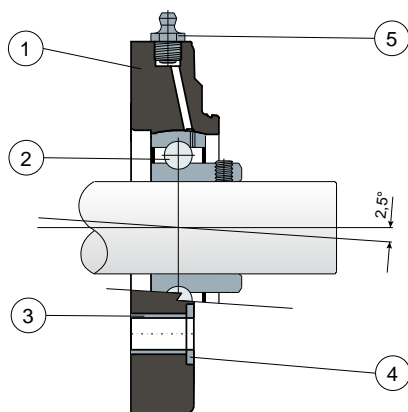
Serie **UCFC**



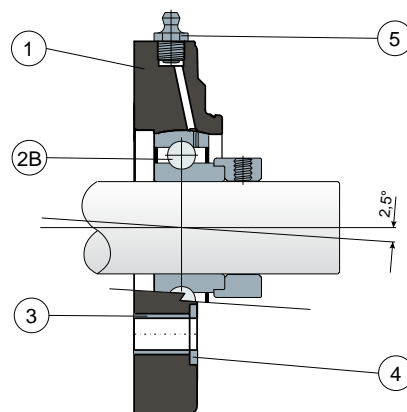
Long Life bearings: life long lubrication.

NEW

Grub screws shaft locking - Without cover and back gasket



Eccentric collar shaft locking - Without cover and back gasket



- 1) Housing made out of black or white colour polyamide reinforced with glass fibers.
- 2) Chrome steel or stainless steel bearing AISI 440.
2B) Chrome steel bearing.
- 3) Spacer for fixing reinforcement made out of stainless steel AISI 304.
- 4) UNI 6592 support washer made out of stainless steel AISI 304.
- 5) Greaser, straight type with 1/8 gas thread, made out of nickel-plated brass (absent in the versions with Long Life bearing).

NOTE: The back gasket and the protection cover can be ordered separately as accessories; in the Long Life version, the greaser is absent and the lubrication channel is protected by a rubber cap.

Support dimensions respect ISO 3228 set of rules.

Maximum shaft alignment error 2,5°.

For further information please contact our technical office or sales department.

MATERIALS: Housing is made out of PA + glass fiber in black or white colours; bearing with grub screws shaft locking in chrome steel or stainless steel; bearing with eccentric collar shaft locking in chrome steel; greaser made out of nickel plated brass; reinforcement bushings and washers made out of stainless steel AISI 304; gaskets made out of NBR rubber; cover made out of polypropylene grey Ral 7042, blue Ral 5015, orange Ral 2004 or red Ral 3000 colour.
FEATURES: The back gasket and the protection cover can be ordered separately as accessories. Assembly with shouldered and not shouldered shafts. Maximum shaft alignment error 2,5°.

BOX QUANTITY: 8 pieces.

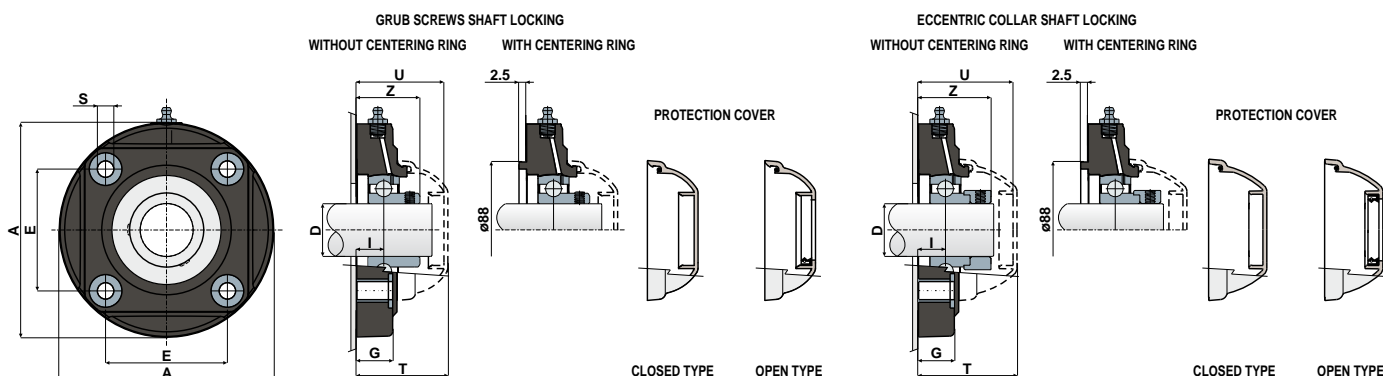
ON REQUEST: Versions with body in polypropylene + glass fiber and antibacterial additive; protection covers in different colours and with customized brand; box quantity according to your request; Viton gaskets.



Round flanged bearing supports

Technical data

Serie **UCFC**



GRUB SCREWS SHAFT LOCKING - FLANGE WITHOUT CENTERING RING

		CHROME STEEL BEARING											COVER CODES											
D	SERIE	Support CODES				DIMENSIONS (mm)								Bearing load (N)		Bearing support load		GREY RAL 7042	BLUE RAL 5015	ORANGE RAL 2004	RED RAL 3000			
		Standard bearing		Long Life bearing		E	A	S	G	I	Z	U	T	C	CO	(N)	Closed	Open	Closed	Open	Closed	Open		
		Black	White	Black	White																			
35	UCFC 207	85668	85670	87641	90394	77,8	137	10,5	26	17	40,8	56	58	25500	15300	19550	80077	80078	80969	80275	82284	82285	87544	87545

		STAINLESS STEEL BEARING AISI 440											COVER CODES											
D	SERIE	Support CODES				DIMENSIONS (mm)								Bearing load (N)		Bearing support load		GREY RAL 7042	BLUE RAL 5015	ORANGE RAL 2004	RED RAL 3000			
		Standard bearing		Long Life bearing		E	A	S	G	I	Z	U	T	C	CO	(N)	Closed	Open	Closed	Open	Closed	Open		
		Black	White	Black	White																			
35	UCFC 207	85669	85671	90395	90396	77,8	137	10,5	26	17	40,8	56	58	16600	15300	19550	80077	80078	80969	80275	82284	82285	87544	87545

GRUB SCREWS SHAFT LOCKING - FLANGE WITH CENTERING RING

		CHROME STEEL BEARING											COVER CODES											
D	SERIE	Support CODES				DIMENSIONS (mm)								Bearing load (N)		Bearing support load		GREY RAL 7042	BLUE RAL 5015	ORANGE RAL 2004	RED RAL 3000			
		Standard bearing		Long Life bearing		E	A	S	G	I	Z	U	T	C	CO	(N)	Closed	Open	Closed	Open	Closed	Open		
		Black	White	Black	White																			
35	UCFC 207	86021	86023	90397	90398	77,8	137	10,5	26	17	40,8	56	58	25500	15300	19550	80077	80078	80969	80275	82284	82285	87544	87545

		STAINLESS STEEL BEARING AISI 440											COVER CODES											
D	SERIE	Support CODES				DIMENSIONS (mm)								Bearing load (N)		Bearing support load		GREY RAL 7042	BLUE RAL 5015	ORANGE RAL 2004	RED RAL 3000			
		Standard bearing		Long Life bearing		E	A	S	G	I	Z	U	T	C	CO	(N)	Closed	Open	Closed	Open	Closed	Open		
		Black	White	Black	White																			
35	UCFC 207	86022	86024	90399	90400	77,8	137	10,5	26	17	40,8	56	58	16600	15300	19550	80077	80078	80969	80275	82284	82285	87544	87545

ECCENTRIC COLLAR SHAFT LOCKING - FLANGE WITHOUT CENTERING RING

		CHROME STEEL BEARING											COVER CODES					
D	SERIE	Support CODES				DIMENSIONS (mm)								Bearing load (N)		Bearing support load		GREY RAL 7042
		Standard bearing		Long Life bearing		E	A	S	G	I	Z	U	T	C	CO	(N)	Closed	Open
		Black	White	Black	White													
35	UCFC 207	88710	88711	90401	90402	77,8	137	10,5	26	17	46,7	60,8	63,3	25500	15300	19550	88377	88378





ECCENTRIC COLLAR SHAFT LOCKING - FLANGE WITH CENTERING RING

		CHROME STEEL BEARING											COVER CODES					
D	SERIE	Support CODES				DIMENSIONS (mm)								Bearing load (N)		Bearing support load		GREY RAL 7042
		Standard bearing		Long Life bearing		E	A	S	G	I	Z	U	T	C	CO	(N)	Closed	Open
		Black	White	Black	White													
35	UCFC 207	88712	88713	90403	90404	77,8	137	10,5	26	17	46,7	60,8	63,3	25500	15300	19550	88377	88378





Supporting and levelling components

Part.	Pag.	Part.	Pag.
1	247	98	269
2	248	99	273
3	247	101	277
4	248	103	284
10	252	104	266
15	253	107	276
18 pa	249	108	283
18	254	109	280
25 pa	250	110	287
25	256	111	279
27 pa	249	112	286
27	255	113	275
38 pa	250	114	282
38	257	115	274
45	258	116	296
64 mm	290	117	296
64 inches	292	118	251
68 mm	293	119	285
68 inches	295	120	278
79	261	121	296
81	267	122	260
82	289	123	267
87	262	124	265
89	263	125	281
92	259	126	288
93	264	127	266
94	270	128	266
95	271	129	274
96	268	130	295
97	272		

Fixed feet

<p>wrench 25</p>  <p>Part. 1 pag. 247</p>	<p>Ø 40</p>  <p>Part. 3 pag. 247</p>	<p>Ø 25</p>  <p>Part. 2 pag. 248</p>	<p>Ø 40</p>  <p>Part. 4 pag. 248</p>
--	---	--	---

PA articulated feet

<p>Ø 60</p>  <p>Part. 18 pa pag. 249</p>	<p>60x95</p>  <p>Part. 27 pa pag. 249</p>	<p>Ø 80</p>  <p>Part. 25 pa pag. 250</p>	<p>Ø 102</p>  <p>Part. 38 pa pag. 250</p>
---	--	--	--

Articulated feet

<p>Ø 30</p>  <p>Part. 118 pag. 251</p>	<p>Ø 40</p>  <p>Part. 10 pag. 252</p>	<p>Ø 50</p>  <p>Part. 15 pag. 253</p>	<p>New Ø 60</p>  <p>Part. 18 pag. 254</p>
<p>New 60x95</p>  <p>Part. 27 pag. 255</p>	<p>New Ø 80</p>  <p>Part. 25 pag. 256</p>	<p>New Ø 102</p>  <p>Part. 38 pag. 257</p>	<p>New Ø 124</p>  <p>Part. 45 pag. 258</p>
<p>New Ø 122</p>  <p>Part. 92 pag. 259</p>	<p>New Ø 150</p>  <p>Part. 122 pag. 260</p>		

Adjustable feet

 Part. 79 pag. 261	New  Part. 87 pag. 262	New  Part. 89 pag. 263	New  Part. 93 pag. 264	New  Part. 124 pag. 265
 Part. 81 pag. 267	 Part. 123 pag. 267	New  Part. 96 pag. 268	New  Part. 98 pag. 269	New  Part. 94 pag. 270
New  Part. 95 pag. 271	New  Part. 97 pag. 272	New  Part. 99 pag. 273	New  Part. 129 pag. 274	

Accessories for supporting and levelling components

 Part. 104 pag. 266	 Part. 127 pag. 266	 Part. 128 pag. 266
--	--	---

Articulated feet, sanitizable

 Part. 113 pag. 275	New  Part. 107 pag. 276	 Part. 101 pag. 277	 Part. 120 pag. 278
New  Part. 111 pag. 279	New  Part. 109 pag. 280	New  Part. 125 pag. 281	

Adjustable feet, sanitizable

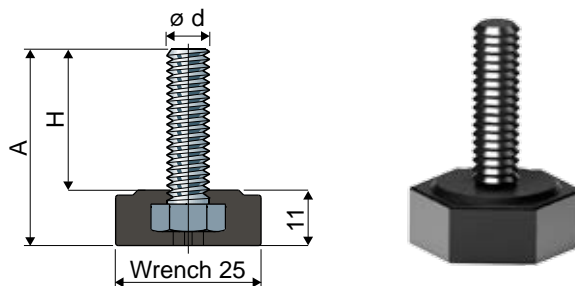
<p>New</p>  <p>Ø 78</p> <p>Part. 115 pag. 274</p>	<p>New</p>  <p>Ø 55</p> <p>Part. 114 pag. 282</p>	 <p>Ø 55</p> <p>Part. 114 pag. 282</p>	<p>New</p>  <p>Ø 75</p> <p>Part. 108 pag. 283</p>
 <p>Ø 75</p> <p>Part. 108 pag. 283</p>	<p>New</p>  <p>Ø 95</p> <p>Part. 103 pag. 284</p>	 <p>Ø 95</p> <p>Part. 103 pag. 284</p>	<p>New</p>  <p>65x96</p> <p>Part. 119 pag. 285</p>
 <p>65x96</p> <p>Part. 119 pag. 285</p>	<p>New</p>  <p>95x130</p> <p>Part. 112 pag. 286</p>	 <p>95x130</p> <p>Part. 112 pag. 286</p>	<p>New</p>  <p>Ø 120</p> <p>Part. 110 pag. 287</p>
 <p>Ø 120</p> <p>Part. 110 pag. 287</p>	 <p>Ø 150</p> <p>Part. 126 pag. 288</p>	 <p>Ø 150</p> <p>Part. 126 pag. 288</p>	

Bushings

 <p>Part. 82 pag. 289</p>	<p>sizes in mm</p>  <p>Part. 64 pag. 290</p>	<p>sizes in inches</p>  <p>Part. 64 pag. 292</p>	<p>sizes in mm</p>  <p>Part. 68 pag. 293</p>
<p>sizes in inches</p>  <p>Part. 68 pag. 295</p>	<p>New</p>  <p>Part. 130 pag. 295</p>	 <p>Part. 116 pag. 296</p>	 <p>Part. 117 pag. 296</p>
 <p>Part. 121 pag. 296</p>			

Fixed feet

(co-moulded)

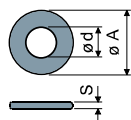
wrench **25** Part. **1**

Spindle measures in mm			Spindle in zinc plated steel	Max static load
$\varnothing d$	A	H	Code	(N)
M8x1,25	38	27	1 / 82880	6000

Base material: Reinforced polyamide black colour.

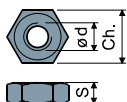
Box quantity: 24 pieces.

Washers UNI 6592-69 - Box quantity: 24 pieces.



$\varnothing M$	M8
Smm	1,6
$\varnothing A$ mm	17
Zinc plated steel codes	7636

Nuts UNI 5588-65 - Box quantity: 24 pieces.

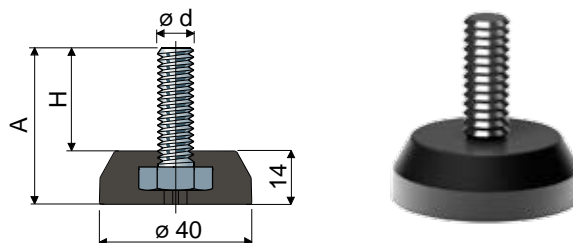


$\varnothing d$	M8
Smm	6,5
Ch. mm	13
Zinc plated steel codes	7634

On request

- Bases: In reinforced polypropylene (maximum static load is reduced to 1/3 compared to that with polyamide base) • other colours.
- Rod: In stainless steel AISI 304.
- Box quantity: Not standard.

$\varnothing 40$ Part. **3**

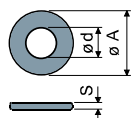


Spindle measures in mm			Spindle in zinc plated steel	Max static load
$\varnothing d$	A	H	Code	(N)
M10x1,5	40	26	3 / 82886	7000

Base material: Reinforced polyamide black colour.

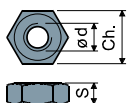
Box quantity: 24 pieces.

Washers UNI 6592-69 - Box quantity: 24 pieces.



$\varnothing M$	M10
Smm	2
$\varnothing A$ mm	21
Zinc plated steel codes	7283

Nuts UNI 5588-65 - Box quantity: 24 pieces.



$\varnothing d$	M10
Smm	8
Ch. mm	17
Zinc plated steel codes	7269

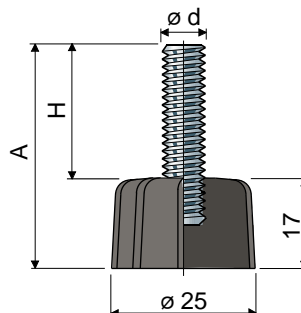
On request

- Bases: In reinforced polypropylene (maximum static load is reduced to 1/3 compared to that with polyamide base) • other colours.
- Rod: In stainless steel AISI 304.
- Box quantity: Not standard.

Fixed feet

(base in reinforced polyamide)

Part. 2 $\varnothing 25$



Spindle measures in mm			Spindle material		Max static load (N)
$\varnothing d$	A	H	Zinc plated steel Code	Stainless steel AISI 304 Code	
M8x1,25	40	23	2 / 7702	2 / 7703	4000
	50	33	2 / 7706	2 / 7707	
M10x1,5	40	23	2 / 7712	2 / 7713	5000
	50	33	2 / 7716	2 / 7717	
M12x1,75	75	58	2 / 80156	2 / 80157	6000

Base material: Reinforced polyamide black colour.

Box quantity: 24 pieces.

Washers UNI 6592-69 - Box quantity: 24 pieces.

$\varnothing M$	M8	M10	M12
Smm	1,6	2	2,5
$\varnothing A$ mm	17	21	24
Zinc plated steel codes	7636	7283	7284
Stainless steel codes	7637	7286	7287

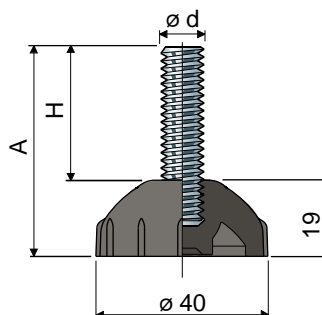
Nuts UNI 5588-65 - Box quantity: 24 pieces.

$\varnothing d$	M8	M10	M12
Smm	6,5	8	10
Ch. mm	13	17	19
Zinc plated steel codes	7634	7269	7270
Stainless steel codes	7635	7272	7273

On request

- Bases: In reinforced polypropylene (maximum static load is reduced to 1/3 compared to that with polyamide base) • other colours.
- Box quantity: Not standard.
- Assembling of: Nuts • washers.

Part. 4 $\varnothing 40$



Spindle measures in mm			Spindle material		Max static load (N)
$\varnothing d$	A	H	Zinc plated steel Code	Stainless steel AISI 304 Code	
M8x1,25	40	21	4 / 7722	4 / 7723	4000
	50	31	4 / 7726	4 / 7727	
M10x1,5	40	21	4 / 7732	4 / 7733	5000
	50	31	4 / 7736	4 / 7737	
M12x1,75	75	56	4 / 80158	4 / 80159	6000

Base material: Reinforced polyamide black colour.

Box quantity: 24 pieces.

Accessories

Anti-slip pads:

- code: 7263;
- material: thermoplastic rubber 68 Shore black colour;
- box quantity: 24 pieces.

Washers UNI 6592-69 - Box quantity: 24 pieces.

$\varnothing M$	M8	M10	M12
Smm	1,6	2	2,5
$\varnothing A$ mm	17	21	24
Zinc plated steel codes	7636	7283	7284
Stainless steel codes	7637	7286	7287

Nuts UNI 5588-65 - Box quantity: 24 pieces.

$\varnothing d$	M8	M10	M12
Smm	6,5	8	10
Ch. mm	13	17	19
Zinc plated steel codes	7634	7269	7270
Stainless steel codes	7635	7272	7273

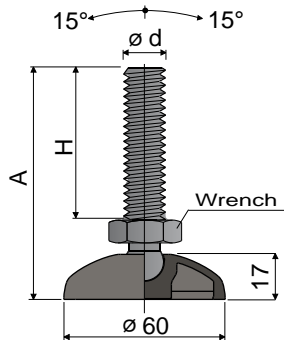
On request

- Bases: In reinforced polypropylene (maximum static load is reduced to 1/3 compared to that with polyamide base) • other colours.
- Box quantity: Not standard.
- Assembling of: Anti-slip pads • nuts • washers.

PA articulated feet

(in reinforced polyamide)

Ø 60 Part. 18



Spindle measures in mm				Spindle and base in reinforced polyamide Code	Max static load (N)
ød	A	H	Wrench		
M16x2	101	67	24	18 / 7627	7000
M20x2,5	174	140	24	18 / 80160	7500

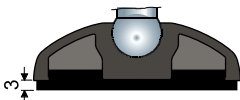
Spindle and base material: Reinforced polyamide black colour.

Box quantity: 24 pieces.

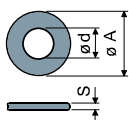
Accessories

Anti-slip pads:

- code: 7265;
- material: thermoplastic rubber 68 Shore black colour;
- box quantity: 24 pieces.

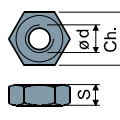


Washers UNI 6592-69 - Box quantity: 24 pieces.



ø M	M16	M20
Smm	3	3
ø A mm	30	37
Zinc plated steel codes	7289	7290
Stainless steel codes	7291	7292

Nuts UNI 5588-65 - Box quantity: 24 pieces.

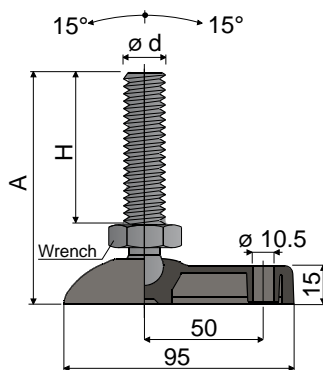


ø d	M16	M20
Smm	13	16
Ch. mm	24	30
Zinc plated steel codes	7275	7276
Stainless steel codes	7277	7278

On request

- Bases: In reinforced polypropylene (maximum static load is reduced to 1/3 compared to that with polyamide base) • other colours.
- Box quantity: Not standard.
- Assembling of: Anti-slip pads • nuts • washers.

60X95 Part. 27



Spindle measures in mm				Spindle and base in reinforced polyamide Code	Max static load (N)
ød	A	H	Wrench		
M16x2	101	67	24	27 / 7628	7000
M20x2,5	174	140	24	27 / 80161	7500

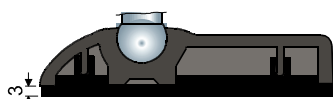
Spindle and base material: Reinforced polyamide black colour.

Box quantity: 24 pieces.

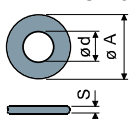
Accessories

Anti-slip pads:

- code: 7632;
- material: thermoplastic rubber 68 Shore black colour;
- box quantity: 24 pieces.

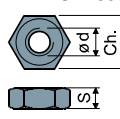


Washers UNI 6592-69 - Box quantity: 24 pieces.



ø M	M16	M20
Smm	3	3
ø A mm	30	37
Zinc plated steel codes	7289	7290
Stainless steel codes	7291	7292

Nuts UNI 5588-65 - Box quantity: 24 pieces.



ø d	M16	M20
Smm	13	16
Ch. mm	24	30
Zinc plated steel codes	7275	7276
Stainless steel codes	7277	7278

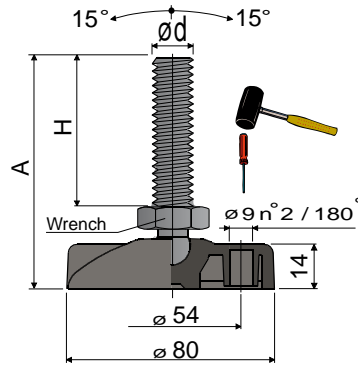
On request

- Bases: In reinforced polypropylene (maximum static load is reduced to 1/3 compared to that with polyamide base) • other colours.
- Box quantity: Not standard.
- Assembling of: Anti-slip pads • nuts • washers.

PA articulated feet

(in reinforced polyamide)

Part. **25** \varnothing **80**



Spindle measures in mm			Wrench	Spindle and base in reinforced polyamide Code	Max static load (N)
$\varnothing d$	A	H			
M16x2	104	67	24	25 / 7629	7000
M20x2,5	177	140	24	25 / 80162	7500

Spindle and base material: Reinforced polyamide black colour.

Box quantity: 24 pieces.

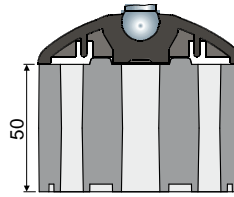
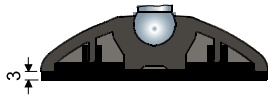
Accessories

Anti-slip pads:

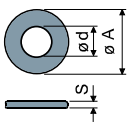
- code: 7266;
- material: thermoplastic rubber
- 68 Shore black colour;
- box quantity: 24 pieces.

Spacers:

- code: 86797 (see pag. 266);
- material: Reinforced polyamide black colour;
- box quantity: 8 pieces.

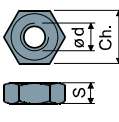


Washers UNI 6592-69 - Box quantity: 24 pieces.



$\varnothing M$	M16	M20
Smm	3	3
$\varnothing A$ mm	30	37
Zinc plated steel codes	7289	7290
Stainless steel codes	7291	7292

Nuts UNI 5588-65 - Box quantity: 24 pieces.

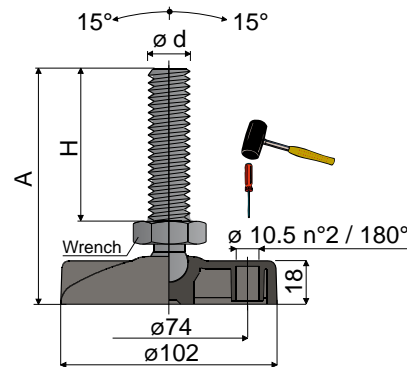


$\varnothing d$	M16	M20
Smm	13	16
Ch. mm	24	30
Zinc plated steel codes	7275	7276
Stainless steel codes	7277	7278

On request

- Bases: In reinforced polypropylene (maximum static load is reduced to 1/3 compared to that with polyamide base) • other colours.
- Box quantity: Not standard.
- Assembling of: Anti-slip pads • nuts • washers.

Part. **38** \varnothing **102**



Spindle measures in mm			Wrench	Spindle and base in reinforced polyamide Code	Max static load (N)
$\varnothing d$	A	H			
M16x2	107	67	24	38 / 7630	7000
M20x2,5	180	140	24	38 / 80155	7500

Spindle and base material: Reinforced polyamide black colour.

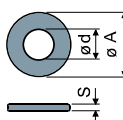
Box quantity: 24 pieces.

Accessories

Anti-slip pads:

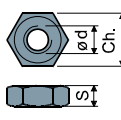
- code: 7267;
- material: thermoplastic rubber 68 Shore black colour;
- box quantity: 24 pieces.

Washers UNI 6592-69 - Box quantity: 24 pieces.



$\varnothing M$	M16	M20
Smm	3	3
$\varnothing A$ mm	30	37
Zinc plated steel codes	7289	7290
Stainless steel codes	7291	7292

Nuts UNI 5588-65 - Box quantity: 24 pieces.



$\varnothing d$	M16	M20
Smm	13	16
Ch. mm	24	30
Zinc plated steel codes	7275	7276
Stainless steel codes	7277	7278

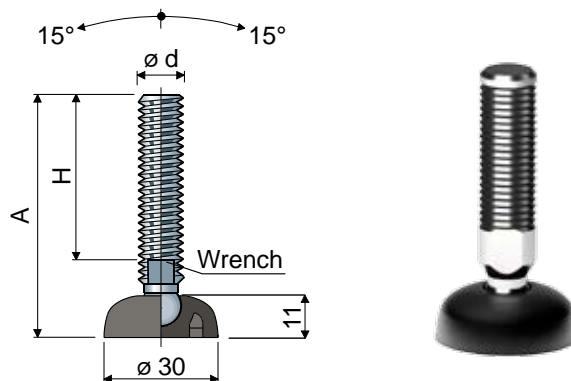
On request

- Bases: In reinforced polypropylene (maximum static load is reduced to 1/3 compared to that with polyamide base) • other colours.
- Box quantity: Not standard.
- Assembling of: Anti-slip pads • nuts • washers.

Articulated feet

(base in reinforced polyamide)

Ø 30 Part. 118



Spindle measures in mm				Spindle material			
ød	A	H	Wrench	Zinc plated steel	Stainless steel AISI 304	Stainless steel AISI 316	Max static load (N)
				Code	Code	Code	
M8x1,25	65	45	6	118 / 84270	118 / 84271	-	9000
	85	65	6	118 / 84272	118 / 84273	-	
M10x1,5	57	35	8	118 / 84274	118 / 84275	-	10000
	92	70	8	118 / 84276	118 / 84277	-	
	137	115	8	118 / 84278	118 / 84279	-	
M12x1,75	67	43	10	118 / 84280	118 / 84281	-	11000
	87	63	10	118 / 84282	118 / 84283	-	
	102	77	10	118 / 84284	118 / 84285	-	
	117	93	10	118 / 84286	118 / 84287	118 / 85116	
	147	123	10	118 / 84288	118 / 84289	-	

Spindle measures in inches				Spindle material		
ød	A	H	Wrench	Zinc plated steel	Stainless steel AISI 304	Max static load (N)
				Code	Code	
1/2"-13 UNC	5,08"	4"	7/16"	118 / 85170	118 / 85140	11000

Base material: Reinforced polyamide black colour.

Box quantity: 24 pieces.

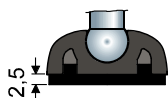
Accessories

Anti-slip pads:

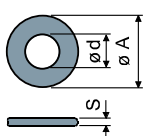
- code: 84290;

- material: thermoplastic rubber 68 Shore black colour;

- box quantity: 24 pieces.

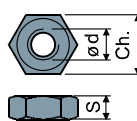


Washers UNI 6592-69 - Box quantity: 24 pieces.



ø M	M8	M10	M12
Smm	1,6	2	2,5
ø A mm	17	21	24
Zinc plated steel codes	7636	7283	7284
Stainless steel codes	7637	7286	7287

Nuts UNI 5588-65 - Box quantity: 24 pieces.



ø d	M8	M10	M12
Smm	6,5	8	10
Ch. mm	13	17	19
Zinc plated steel codes	7634	7269	7270
Stainless steel codes	7635	7272	7273

On request

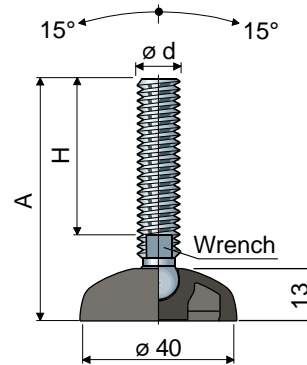
- Bases: In reinforced polypropylene (maximum static load is reduced to 1/3 compared to that with polyamide base) • other colours.
- Spindles with: Sunk hexagon head • second wrench seat head • hexagon wrench seat • threads with other pitches and lengths.
- Box quantity: Not standard.
- Assembling of: Anti-slip pads • nuts • washers.

Thread sizes in inches are expressed as the number of threads (UNC coarse thread) per Imperial inch

Articulated feet

(base in reinforced polyamide)

Part. **10** \varnothing **40**



Spindle measures in mm				Spindle material			Max static load (N)
$\varnothing d$	A	H	Wrench	Zinc plated steel Code	Stainless steel AISI 304 Code	Stainless steel AISI 316 Code	
M8x1,25	68	45	6	10 / 7390	10 / 7391	-	10000
	88	65	6	10 / 7392	10 / 7393	-	
	130	107	6	10 / 7894	10 / 7895	-	
M10x1,5	60	35	8	10 / 7000	10 / 7001	-	11000
	95	70	8	10 / 7002	10 / 7003	-	
	140	115	8	10 / 7004	10 / 7005	-	
M12x1,75	70	43	10	10 / 7006	10 / 7007	-	12000
	90	63	10	10 / 7008	10 / 7009	-	
	105	77	10	10 / 7394	10 / 7395	-	
	120	93	10	10 / 7010	10 / 7011	10 / 85117	
	150	123	10	10 / 7012	10 / 7013	-	
M14x2	90	61	12	10 / 7014	10 / 7015	-	13000
	120	91	12	10 / 7016	10 / 7017	-	
	145	116	12	10 / 7690	10 / 7691	-	
	194	165	12	10 / 86786	10 / 85853	-	
	92	60	13	10 / 86750	10 / 86751	-	
M16x2	122	90	13	10 / 86752	10 / 86753	-	16000
	137	105	13	10 / 86754	10 / 86755	-	
	157	125	13	10 / 86756	10 / 86757	-	
	187	155	13	10 / 86758	10 / 86759	-	
	197	165	13	10 / 86760	10 / 86761	-	
	237	205	13	10 / 86762	10 / 86763	-	

Spindle measures in inches				Spindle material		Max static load (N)
$\varnothing d$	A	H	Wrench	Zinc plated steel Code	Stainless steel AISI 304 Code	
1/2"-13 UNC	5,08"	4"	7/16"	10 / 83266	10 / 83267	12000
5/8"-11 UNC	8,25"	7"	1/2"	10 / 86778	10 / 86779	14000
3/4"-10 UNC	8,34"	7"	5/8"	10 / 86780	10 / 86781	16000

Base material: Reinforced polyamide black colour.

Box quantity: 24 pieces.

Accessories

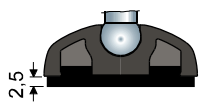
Anti-slip pads:

- code: 7263;

- material: thermoplastic rubber 68 Shore black colour;

- box quantity: 24 pieces.

Washers UNI 6592-69 - Box quantity: 24 pieces.



\varnothing M	M8	M10	M12	M14	M16
Smm	1,6	2	2,5	2,5	3
\varnothing A mm	17	21	24	28	30
Zinc plated steel codes	7636	7283	7284	7285	7289
Stainless steel codes	7637	7286	7287	7288	7291

Nuts UNI 5588-65 - Box quantity: 24 pieces.

$\varnothing d$	M8	M10	M12	M14	M16
Smm	6,5	8	10	11	13
Ch. mm	13	17	19	22	24
Zinc plated steel codes	7634	7269	7270	7271	7275
Stainless steel codes	7635	7272	7273	7274	7277

On request

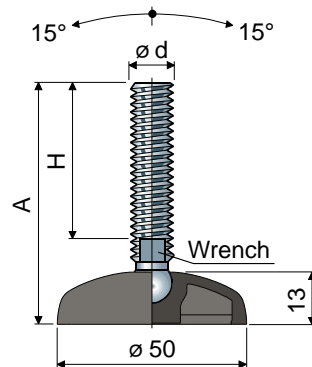
- Bases: In reinforced polypropylene (maximum static load is reduced to 1/3 compared to that with polyamide base) • other colours.
- Spindles with: Sunk hexagon head • second wrench seat head • hexagon wrench seat • threads with other pitches and lengths.
- Box quantity: Not standard.
- Assembling of: Anti-slip pads • nuts • washers.

Thread sizes in inches are expressed as the number of threads (UNC coarse thread) per Imperial inch

Articulated feet

(base in reinforced polyamide)

Ø 50 Part. 15



Spindle measures in mm				Spindle material			Max static load (N)
Ød	A	H	Wrench	Zinc plated steel Code	Stainless steel AISI 304 Code	Stainless steel AISI 316 Code	
M8x1,25	68	45	6	15 / 7396	15 / 7397	-	11000
	88	65	6	15 / 7398	15 / 7399	-	
	130	107	6	15 / 7896	15 / 7897	-	
M10x1,5	60	35	8	15 / 7018	15 / 7019	-	12000
	95	70	8	15 / 7020	15 / 7021	-	
	140	115	8	15 / 7022	15 / 7023	-	
M12x1,75	70	43	10	15 / 7024	15 / 7025	-	13000
	90	63	10	15 / 7026	15 / 7027	-	
	105	77	10	15 / 7400	15 / 7401	-	
	120	93	10	15 / 7028	15 / 7029	15 / 85118	
	150	123	10	15 / 7030	15 / 7031	-	
M14x2	90	61	12	15 / 7032	15 / 7033	-	14000
	120	91	12	15 / 7034	15 / 7035	-	
	145	116	12	15 / 7886	15 / 7887	-	
	195	165	12	15 / 83866	15 / 86787	-	
M16x2	92	60	13	15 / 86764	15 / 86765	-	16000
	122	90	13	15 / 86766	15 / 86767	-	
	137	105	13	15 / 86768	15 / 86769	-	
	157	125	13	15 / 86770	15 / 86771	-	
	187	155	13	15 / 86772	15 / 86773	-	
	197	165	13	15 / 86774	15 / 86775	-	
	237	205	13	15 / 86776	15 / 86777	-	

Spindle measures in inches				Spindle material		Max static load (N)
Ød	A	H	Wrench	Zinc plated steel Code	Stainless steel AISI 304 Code	
1/2"-13 UNC	5,10"	4"	7/16"	15 / 83268	15 / 83269	12000
5/8"-11 UNC	8,25"	7"	1/2"	15 / 86782	15 / 86783	14000
3/4"-10 UNC	8,34"	7"	5/8"	15 / 86784	15 / 86785	16000

Base material: Reinforced polyamide black colour.

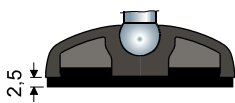
Box quantity: 24 pieces.

Accessories

Anti-slip pads:

- code: 7264;
- material: thermoplastic rubber 68 Shore black colour;
- box quantity: 24 pieces.

Washers UNI 6592-69 - Box quantity: 24 pieces.



Ø M	M8	M10	M12	M14	M16
Smm	1,6	2	2,5	2,5	3
Ø A mm	17	21	24	28	30
Zinc plated steel codes	7636	7283	7284	7285	7289
Stainless steel codes	7637	7286	7287	7288	7291

Nuts UNI 5588-65 - Box quantity: 24 pieces.

Ø d	M8	M10	M12	M14	M16
Smm	6,5	8	10	11	13
Ch. mm	13	17	19	22	24
Zinc plated steel codes	7634	7269	7270	7271	7275
Stainless steel codes	7635	7272	7273	7274	7277

On request

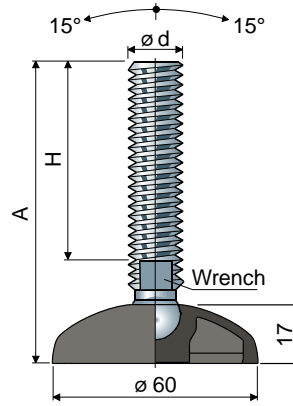
- Bases: In reinforced polypropylene (maximum static load is reduced to 1/3 compared to that with polyamide base) • other colours.
- Spindles with: Sunk hexagon head • second wrench seat head • hexagon wrench seat • threads with other pitches and lengths.
- Box quantity: Not standard.
- Assembling of: Anti-slip pads • nuts • washers.

Thread sizes in inches are expressed as the number of threads (UNC coarse thread) per Imperial inch

Articulated feet

(base in reinforced polyamide)

Part. **18** \varnothing **60**



Spindle measures in mm				Spindle material			Max static load (N)
$\varnothing d$	A	H	Wrench	Zinc plated steel Code	Stainless steel AISI 304 Code	Stainless steel AISI 316 Code	
M8x1,25	72	45	6	18 / 7402	18 / 7403	-	12000
	92	65	6	18 / 7404	18 / 7405	-	
	134	107	6	18 / 7898	18 / 7899	-	
M10x1,5	64	35	8	18 / 7036	18 / 7037	-	13000
	99	70	8	18 / 7038	18 / 7039	-	
	144	115	8	18 / 7040	18 / 7041	-	
M12x1,75	74	43	10	18 / 7042	18 / 7043	-	14000
	94	63	10	18 / 7044	18 / 7045	-	
	109	77	10	18 / 7406	18 / 7407	-	
	124	93	10	18 / 7046	18 / 7047	18 / 85119	
	154	123	10	18 / 7048	18 / 7049	-	
M14x2	94	61	12	18 / 7050	18 / 7051	-	15000
	124	91	12	18 / 7052	18 / 7053	-	
	149	116	12	18 / 7888	18 / 7889	-	
	198	165	12	18 / 86794	18 / 86795	-	
M16x2	95	60	13	18 / 7054	18 / 7055	18 / 85120	17000
	125	90	13	18 / 7408	18 / 7409	-	
	140	105	13	18 / 7056	18 / 7057	-	
	160	125	13	18 / 7058	18 / 7059	18 / 85121	
	190	155	13	18 / 7410	18 / 7411	-	
	200	165	13	18 / 7060	18 / 7061	-	
M20x2,5	240	205	13	18 / 83156	18 / 83157	-	19000
	125	86	17	18 / 7062	18 / 7063	-	
	155	116	17	18 / 7064	18 / 7065	-	
	180	141	17	18 / 7066	18 / 7067	18 / 85122	
	200	161	17	18 / 88840 NEW	18 / 88841 NEW	-	
237	198	17	18 / 7068	18 / 7069	-		

Spindle measures in inches				Spindle material			Max static load (N)
$\varnothing d$	A	H	Wrench	Zinc plated steel Code	Stainless steel AISI 304 Code	Stainless steel AISI 316 Code	
1/2" -13 UNC	5,24"	4"	7/16"	18 / 83270	18 / 83271	-	14000
5/8" -11 UNC	8,36"	7"	1/2"	18 / 83272	18 / 83273	-	17000
3/4" -10 UNC	8,43"	7"	5/8"	18 / 83274	18 / 83275	-	19000

Base material: Reinforced polyamide black colour.

Box quantity: 24 pieces.

Accessories

Anti-slip pads:

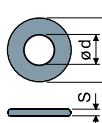
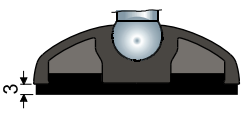
- code: 7265;

- material: thermoplastic rubber 68 Shore black colour;

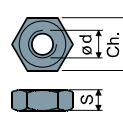
- box quantity: 24 pieces.

Washers UNI 6592-69 - Box quantity: 24 pieces.

Nuts UNI 5588-65 - Box quantity: 24 pieces.



$\varnothing M$	M8	M10	M12	M14	M16	M20
Smm	1,6	2	2,5	2,5	3	3
$\varnothing A$ mm	17	21	24	28	30	37
Zinc plated steel codes	7636	7283	7284	7285	7289	7290
Stainless steel codes	7637	7286	7287	7288	7291	7292



$\varnothing d$	M8	M10	M12	M14	M16	M20
Smm	6,5	8	10	11	13	16
Ch. mm	13	17	19	22	24	30
Zinc plated steel codes	7634	7269	7270	7271	7275	7276
Stainless steel codes	7635	7272	7273	7274	7277	7278

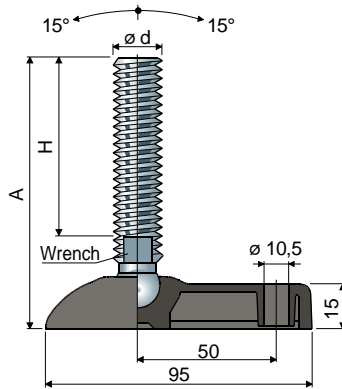
On request

- Bases: In reinforced polypropylene (maximum static load is reduced to 1/3 compared to that with polyamide base) • other colours.
- Spindles with: Sunk hexagon head • second wrench seat head • hexagon wrench seat • threads with other pitches and lengths.
- Box quantity: Not standard.
- Assembling of: Anti-slip pads • nuts • washers.

Thread sizes in inches are expressed as the number of threads (UNC coarse thread) per Imperial inch

Articulated feet

(base in reinforced polyamide)



60X95 Part. 27

Spindle measures in mm				Spindle material			
ød	A	H	Wrench	Zinc plated steel Code	Stainless steel AISI 304 Code	Stainless steel AISI 316 Code	Max static load (N)
M8x1,25	72	45	6	27 / 7412	27 / 7413	-	12000
	92	65	6	27 / 7414	27 / 7415	-	
	134	107	6	27 / 7900	27 / 7901	-	
M10x1,5	64	35	8	27 / 7416	27 / 7417	-	13000
	99	70	8	27 / 7418	27 / 7419	-	
	144	115	8	27 / 7420	27 / 7421	-	
M12x1,75	74	43	10	27 / 7422	27 / 7423	-	14000
	94	63	10	27 / 7424	27 / 7425	-	
	109	77	10	27 / 7426	27 / 7427	-	
	124	93	10	27 / 7428	27 / 7429	27 / 85171	
	154	123	10	27 / 7430	27 / 7431	-	
M14x2	94	61	12	27 / 7432	27 / 7433	-	15000
	124	91	12	27 / 7434	27 / 7435	-	
	149	116	12	27 / 7890	27 / 7891	-	
	198	165	12	27 / 86788	27 / 86791	-	
	95	60	13	27 / 7436	27 / 7437	27 / 85172	
M16x2	125	90	13	27 / 7438	27 / 7439	-	17000
	140	105	13	27 / 7440	27 / 7441	-	
	160	125	13	27 / 7442	27 / 7443	27 / 85173	
	190	155	13	27 / 7444	27 / 7445	-	
	200	165	13	27 / 7446	27 / 7447	-	
	240	205	13	27 / 83158	27 / 83159	-	
M20x2,5	125	86	17	27 / 7448	27 / 7449	-	19000
	155	116	17	27 / 7450	27 / 7451	-	
	180	141	17	27 / 7452	27 / 7453	27 / 85174	
	200	161	17	27 / 88842 NEW	27 / 88843 NEW	-	
	237	198	17	27 / 7454	27 / 7455	-	

Spindle measures in inches				Spindle material		
ød	A	H	Wrench	Zinc plated steel Code	Stainless steel AISI 304 Code	Max static load (N)
1/2"-13 UNC	5,24"	4"	7/16"	27 / 83276	27 / 83277	14000
5/8"-11 UNC	8,38"	7"	1/2"	27 / 83278	27 / 83279	17000
3/4"-10 UNC	8,47"	7"	5/8"	27 / 83280	27 / 83281	19000

Base material: Reinforced polyamide black colour.

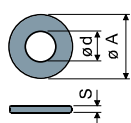
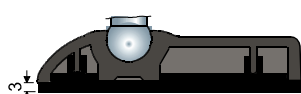
Box quantity: 24 pieces.

Accessories

Anti-slip pads:

- code: 7632;
- material: thermoplastic rubber 68 Shore black colour;
- box quantity: 24 pieces.

Washers UNI 6592-69 - Box quantity: 24 pieces.



ø M	M8	M10	M12	M14	M16	M20
Smm	1,6	2	2,5	2,5	3	3
ø A mm	17	21	24	28	30	37
Zinc plated steel codes	7636	7283	7284	7285	7289	7290
Stainless steel codes	7637	7286	7287	7288	7291	7292

Nuts UNI 5588-65 - Box quantity: 24 pieces.



ø d	M8	M10	M12	M14	M16	M20
Smm	6,5	8	10	11	13	16
Ch. mm	13	17	19	22	24	30
Zinc plated steel codes	7634	7269	7270	7271	7275	7276
Stainless steel codes	7635	7272	7273	7274	7277	7278

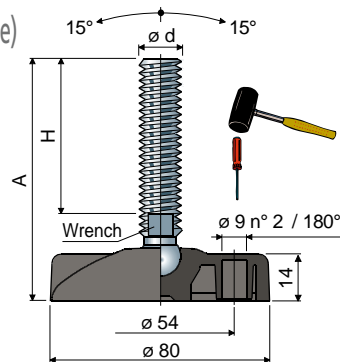
On request

- Bases: In reinforced polypropylene (maximum static load is reduced to 1/3 compared to that with polyamide base) • other colours.
- Spindles with: Sunk hexagon head • second wrench seat head • hexagon wrench seat • threads with other pitches and lengths.
- Box quantity: Not standard.
- Assembling of: Anti-slip pads • nuts • washers.

Thread sizes in inches are expressed as the number of threads (UNC coarse thread) per Imperial inch

Articulated feet (base in reinforced polyamide)

Part. **25** \varnothing **80**



Spindle measures in mm				Base colour						Max static load (N)
				BLACK			BLUE RAL 5005			
$\varnothing d$	A	H	Wrench	Spindle material			Spindle material			
				Zinc plated steel	Stainless steel AISI 304	Stainless steel AISI 316	Zinc plated steel	Stainless steel AISI 304	Stainless steel AISI 316	
				Code	Code	Code	Code	Code	Code	
M8x1,25	74	45	6	25 / 7456	25 / 7457	-	25 / 87782	25 / 87781	-	12000
	94	65	6	25 / 7458	25 / 7459	-	25 / 87784	25 / 87783	-	
	136	107	6	25 / 7902	25 / 7903	-	25 / 87786	25 / 87785	-	
M10x1,5	66	35	8	25 / 7070	25 / 7071	-	25 / 87788	25 / 87787	-	14000
	101	70	8	25 / 7072	25 / 7073	-	25 / 87790	25 / 87789	-	
	146	115	8	25 / 7074	25 / 7075	-	25 / 87792	25 / 87791	-	
M12x1,75	76	43	10	25 / 7076	25 / 7077	-	25 / 87794	25 / 87793	-	15000
	96	63	10	25 / 7078	25 / 7079	-	25 / 87796	25 / 87795	-	
	111	77	10	25 / 7460	25 / 7461	-	25 / 87798	25 / 87797	-	
	126	93	10	25 / 7080	25 / 7081	25 / 85123	25 / 87800	25 / 87799	25 / 87863	
	156	123	10	25 / 7082	25 / 7083	-	25 / 87802	25 / 87801	-	
M14x2	96	61	12	25 / 7084	25 / 7085	-	25 / 87804	25 / 87803	-	16000
	126	91	12	25 / 7086	25 / 7087	-	25 / 87806	25 / 87805	-	
	151	116	12	25 / 7892	25 / 7893	-	25 / 87808	25 / 87807	-	
	200	165	12	25 / 7950	25 / 86789	-	25 / 87810	25 / 87809	-	
M16x2	97	60	13	25 / 7088	25 / 7089	25 / 85124	25 / 87832	25 / 87831	25 / 87865	19000
	127	90	13	25 / 7462	25 / 7463	-	25 / 87834	25 / 87833	-	
	142	105	13	25 / 7090	25 / 7091	-	25 / 87836	25 / 87835	-	
	162	125	13	25 / 7092	25 / 7093	25 / 85125	25 / 87838	25 / 87837	25 / 87867	
	192	155	13	25 / 7464	25 / 7465	-	25 / 87840	25 / 87839	-	
	202	165	13	25 / 7094	25 / 7095	-	25 / 87842	25 / 87841	-	
M20x2,5	242	205	13	25 / 83160	25 / 83161	-	25 / 87844	25 / 87843	-	21000
	127	86	17	25 / 7096	25 / 7097	-	25 / 87846	25 / 87845	-	
	157	116	17	25 / 7098	25 / 7099	-	25 / 87848	25 / 87847	-	
	182	141	17	25 / 7100	25 / 7101	25 / 85126	25 / 87850	25 / 87849	25 / 87869	
	202	161	17	25 / 88844 NEW	25 / 88845 NEW	-	25 / 88846 NEW	25 / 88847 NEW	-	
M24x3	239	198	17	25 / 7102	25 / 7103	-	25 / 87852	25 / 87851	-	23000
	137	96	19	25 / 7466	25 / 7467	-	25 / 87854	25 / 87853	-	
	163	122	19	25 / 7104	25 / 7105	-	25 / 87856	25 / 87855	-	
	193	152	19	25 / 7106	25 / 7107	-	25 / 87858	25 / 87857	-	
	223	182	19	25 / 7108	25 / 7109	-	25 / 87860	25 / 87859	-	
	341	300	19	25 / 7472	25 / 7473	-	25 / 87862	25 / 87861	-	

Spindle measures in inches				Base colour				Max static load (N)
				BLACK		BLUE RAL 5005		
$\varnothing d$	A	H	Wrench	Spindle material		Spindle material		
				Zinc plated steel	Stainless steel AISI 304	Zinc plated steel	Stainless steel AISI 304	
				Code	Code	Code	Code	
1/2"-13 UNC	5,20"	4"	7/16"	25 / 83282	25 / 83283	25 / 88066	25 / 88067	15000
5/8"-11 UNC	8,32"	7"	1/2"	25 / 83284	25 / 83285	25 / 88068	25 / 88069	19000
3/4"-10 UNC	8,41"	7"	5/8"	25 / 83286	25 / 83287	25 / 88070	25 / 88071	21000

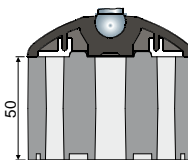
Base material: Reinforced polyamide black or blue Ral 5005 colour.

Box quantity: 24 pieces.

Accessories

Anti-slip pads:

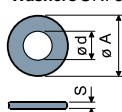
- code: 7266;
- material: thermoplastic rubber 68 Shore black colour;
- box quantity: 24 pieces.



Spacers:

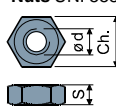
- code: 86797 (see pag. 266);
- material: Reinforced polyamide black colour;
- box quantity: 8 pieces.

Washers UNI 6592-69 - Box quantity: 24 pieces.



$\varnothing M$	M8	M10	M12	M14	M16	M20	M24
Smm	1,6	2	2,5	2,5	3	3	4
$\varnothing A$ mm	17	21	24	28	30	37	44
Zinc plated steel codes	7636	7283	7284	7285	7289	7290	7293
Stainless steel codes	7637	7286	7287	7288	7291	7292	7294

Nuts UNI 5588-65 - Box quantity: 24 pieces.



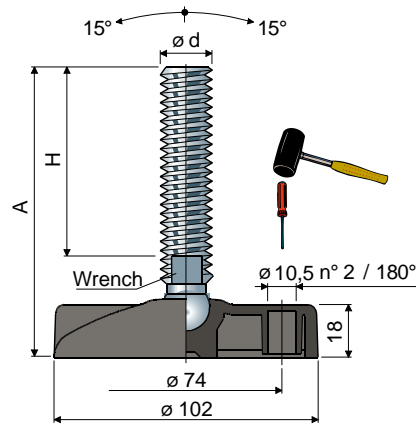
$\varnothing d$	M8	M10	M12	M14	M16	M20	M24
Smm	6,5	8	10	11	13	16	19
Ch. mm	13	17	19	22	24	30	36
Zinc plated steel codes	7634	7269	7270	7271	7275	7276	7279
Stainless steel codes	7635	7272	7273	7274	7277	7278	7280

On request

- Bases: In reinforced polypropylene (maximum static load is reduced to 1/3 compared to that with polyamide base) • other colours • with pre-bored fixing holes.
- Spindles with: Sunk hexagon head • second wrench seat head • hexagon wrench seat • threads with other pitches and lengths.
- Box quantity: Not standard.
- Assembling of: Anti-slip pads • nuts • washers.

Thread sizes in inches are expressed as the number of threads (UNC coarse thread) per Imperial inch

Articulated feet (base in reinforced polyamide)



Ø 102 Part. 38

Spindle measures in mm				Spindle material			Max static load (N)
ød	A	H	Wrench	Zinc plated steel Code	Stainless steel AISI 304 Code	Stainless steel AISI 316 Code	
M12x1,75	79	43	10	38 / 83166	38 / 83167	-	15000
	99	63	10	38 / 83168	38 / 83169	-	
	114	78	10	38 / 83170	38 / 83171	-	
	129	93	10	38 / 83172	38 / 83173	38 / 85127	
	159	123	10	38 / 83174	38 / 83175	-	
M14x2	99	61	12	38 / 83176	38 / 83177	-	18000
	129	91	12	38 / 83178	38 / 83179	-	
	154	116	12	38 / 83180	38 / 83181	-	
	203	165	12	38 / 86790	38 / 86093	-	
M16x2	100	60	13	38 / 7110	38 / 7111	38 / 85128	22000
	130	90	13	38 / 7474	38 / 7475	-	
	145	105	13	38 / 7112	38 / 7113	-	
	165	125	13	38 / 7114	38 / 7115	38 / 85129	
	195	155	13	38 / 7476	38 / 7477	-	
	205	165	13	38 / 7116	38 / 7117	-	
M20x2,5	130	86	17	38 / 7118	38 / 7119	-	24000
	160	116	17	38 / 7120	38 / 7121	-	
	185	141	17	38 / 7122	38 / 7123	38 / 85130	
	205	161	17	38 / 88848 NEW	38 / 88849 NEW	-	
	242	198	17	38 / 7124	38 / 7125	-	
M24x3	140	96	19	38 / 7478	38 / 7479	-	26000
	166	122	19	38 / 7126	38 / 7127	-	
	196	152	19	38 / 7128	38 / 7129	-	
	226	182	19	38 / 7130	38 / 7131	-	
	344	300	19	38 / 7484	38 / 7485	-	

Spindle measures in inches				Spindle material			Max static load (N)
ød	A	H	Wrench	Zinc plated steel Code	Stainless steel AISI 304 Code		
1/2"-13 UNC	5,44"	4"	7/16"	38 / 83288	38 / 83289	15000	
5/8"-11 UNC	8,57"	7"	1/2"	38 / 83290	38 / 83291	22000	
3/4"-10 UNC	8,65"	7"	5/8"	38 / 83292	38 / 83293	24000	

Base material: Reinforced polyamide black colour.

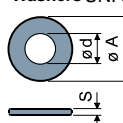
Box quantity: 24 pieces.

Accessories

Anti-slip pads:

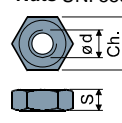
- code: 7267;
- material: thermoplastic rubber 68 Shore black colour;
- box quantity: 24 pieces.

Washers UNI 6592-69 - Box quantity: 24 pieces.



ø M	M12	M14	M16	M20	M24
Smm	2,5	2,5	3	3	4
ø A mm	24	28	30	37	44
Zinc plated steel codes	7284	7285	7289	7290	7293
Stainless steel codes	7287	7288	7291	7292	7294

Nuts UNI 5588-65 - Box quantity: 24 pieces.



ø d	M12	M14	M16	M20	M24
Smm	10	11	13	16	19
Ch. mm	19	22	24	30	36
Zinc plated steel codes	7270	7271	7275	7276	7279
Stainless steel codes	7273	7274	7277	7278	7280

On request

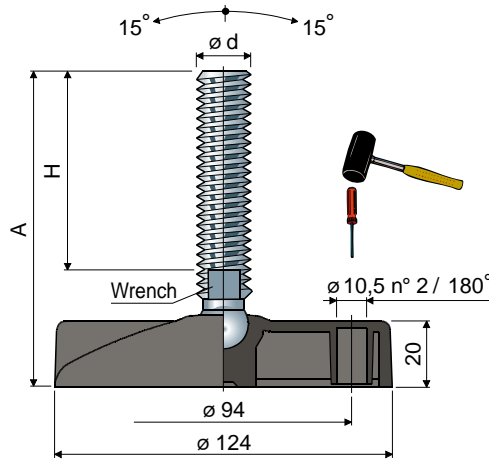
- Bases: In reinforced polypropylene (maximum static load is reduced to 1/3 compared to that with polyamide base) • other colours • with pre-bored fixing holes.
- Spindles with: Sunk hexagon head • second wrench seat head • hexagon wrench seat • threads with other pitches and lengths.
- Box quantity: Not standard.
- Assembling of: Anti-slip pads • nuts • washers.

Thread sizes in inches are expressed as the number of threads (UNC coarse thread) per Imperial inch

Articulated feet

(base in reinforced polyamide)

Part. **45** \varnothing **124**



Spindle measures in mm				Spindle material			
$\varnothing d$	A	H	Wrench	Zinc plated steel Code	Stainless steel AISI 304 Code	Stainless steel AISI 316 Code	Max static load (N)
M14x2	103	61	12	45 / 83184	45 / 83185	-	18000
	133	91	12	45 / 83186	45 / 83187	-	
	158	116	12	45 / 83188	45 / 83189	-	
	207	165	12	45 / 86792	45 / 86793	-	
M16x2	104	60	13	45 / 7132	45 / 7133	45 / 85131	25000
	134	90	13	45 / 7486	45 / 7487	-	
	149	105	13	45 / 7134	45 / 7135	-	
	169	125	13	45 / 7136	45 / 7137	45 / 85132	
	199	155	13	45 / 7488	45 / 7489	-	
	209	165	13	45 / 7138	45 / 7139	-	
M20x2,5	134	86	17	45 / 7140	45 / 7141	-	27000
	164	116	17	45 / 7142	45 / 7143	-	
	189	141	17	45 / 7144	45 / 7145	45 / 85133	
	209	161	17	45 / 88850 NEW	45 / 88851 NEW	-	
	246	198	17	45 / 7146	45 / 7147	-	
M24x3	144	96	19	45 / 7490	45 / 7491	-	29000
	170	122	19	45 / 7148	45 / 7149	-	
	200	152	19	45 / 7150	45 / 7151	-	
	230	182	19	45 / 7152	45 / 7153	-	
	348	300	19	45 / 7496	45 / 7497	-	

Spindle measures in inches				Spindle material		
$\varnothing d$	A	H	Wrench	Zinc plated steel Code	Stainless steel AISI 304 Code	Max static load (N)
5/8" -11 UNC	8,75"	7"	1/2"	45 / 83294	45 / 83295	25000
3/4" -10 UNC	8,82"	7"	5/8"	45 / 83296	45 / 83297	27000

Base material: Reinforced polyamide black colour.

Box quantity: 8 pieces.

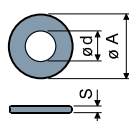
Accessories

Anti-slip pads:

- code: 7268;
- material: thermoplastic rubber 68 Shore black colour;
- box quantity: 8 pieces.

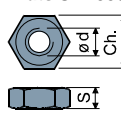


Washers UNI 6592-69 - Box quantity: 24 pieces.



$\varnothing M$	M14	M16	M20	M24
Smm	2,5	3	3	4
$\varnothing A$ mm	28	30	37	44
Zinc plated steel codes	7285	7289	7290	7293
Stainless steel codes	7288	7291	7292	7294

Nuts UNI 5588-65 - Box quantity: 24 pieces.



$\varnothing d$	M14	M16	M20	M24
Smm	11	13	16	19
Ch. mm	22	24	30	36
Zinc plated steel codes	7271	7275	7276	7279
Stainless steel codes	7274	7277	7278	7280

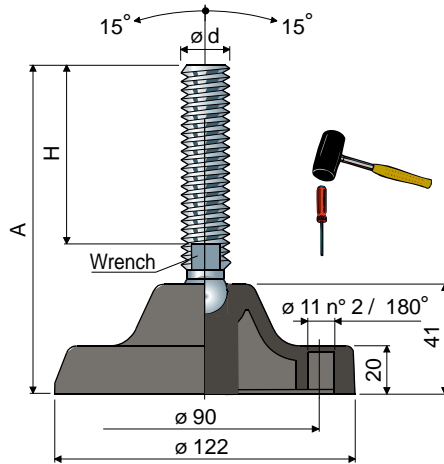
On request

- Bases: In reinforced polypropylene (maximum static load is reduced to 1/3 compared to that with polyamide base) • other colours • with pre-bored fixing holes.
- Spindles with: Sunk hexagon head • second wrench seat head • hexagon wrench seat • threads with other pitches and lengths.
- Box quantity: Not standard.
- Assembling of: Anti-slip pads • nuts • washers.

Thread sizes in inches are expressed as the number of threads (UNC coarse thread) per Imperial inch

Articulated feet

(base in reinforced polyamide)



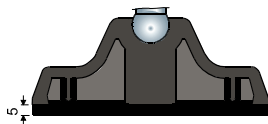
Ø 122 Part. 92

Spindle measures in mm				Spindle material			Max static load (N)
ød	A	H	Wrench	Zinc plated steel Code	Stainless steel AISI 304 Code	Stainless steel AISI 316 Code	
M16x2	118	60	13	92 / 7782	92 / 7783	92 / 85134	25000
	148	90	13	92 / 7784	92 / 7785	-	
	163	105	13	92 / 7786	92 / 7787	-	
	183	125	13	92 / 7788	92 / 7789	92 / 85135	
	213	155	13	92 / 7790	92 / 7791	-	
	223	165	13	92 / 7792	92 / 7793	-	
	263	205	13	92 / 83164	92 / 83165	-	
M20x2,5	147	86	17	92 / 7794	92 / 7795	-	27000
	177	116	17	92 / 7796	92 / 7797	-	
	202	141	17	92 / 7798	92 / 7799	92 / 85136	
	222	161	17	92 / 88852 NEW	92 / 88853 NEW	-	
	259	198	17	92 / 7800	92 / 7801	-	
M24x3	157	96	19	92 / 80702	92 / 80703	-	29000
	183	122	19	92 / 80704	92 / 80705	-	
	213	152	19	92 / 80706	92 / 80707	-	
	243	182	19	92 / 80708	92 / 80709	-	
	361	300	19	92 / 80710	92 / 80711	-	

Spindle measures in inches				Spindle material		Max static load (N)
ød	A	H	Wrench	Zinc plated steel Code	Stainless steel AISI 304 Code	
5/8"-11 UNC	9,29"	7"	1/2"	92 / 83298	92 / 83299	25000
3/4"-10 UNC	9,37"	7"	5/8"	92 / 83300	92 / 83301	27000

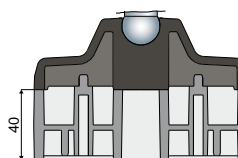
Base material: Reinforced polyamide black colour.

Box quantity: 8 pieces.



Accessories

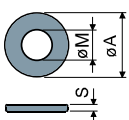
- Anti-slip pads:
 - code: 7633;
 - material: thermoplastic rubber 68 Shore black colour;
 - box quantity: 8 pieces.



Spacers:

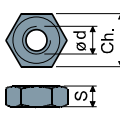
- code: 83410 (see pag. 266);
 - material: Reinforced polyamide black colour;
 - box quantity: 8 pieces.

Washers UNI 6592-69 - Box quantity: 24 pieces.



ø M	M16	M20	M24
Smm	3	3	4
ø A mm	30	37	44
Zinc plated steel codes	7289	7290	7293
Stainless steel codes	7291	7292	7294

Nuts UNI 5588-65 - Box quantity: 24 pieces.



ø d	M16	M20	M24
Smm	13	16	19
Ch. mm	24	30	36
Zinc plated steel codes	7275	7276	7279
Stainless steel codes	7277	7278	7280

On request

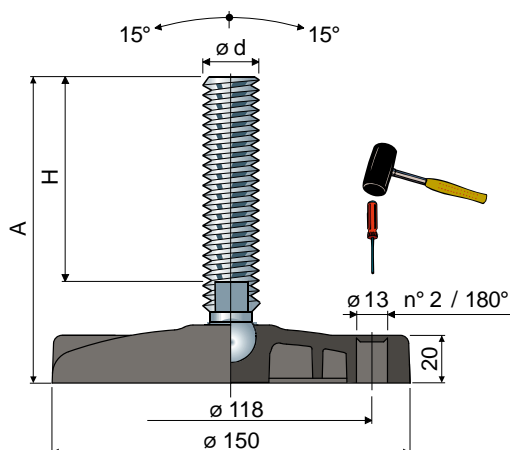
- Bases: In reinforced polypropylene (maximum static load is reduced to 1/3 compared to that with polyamide base) • other colours • with pre-bored fixing holes.
- Spindles with: Sunk hexagon head • second wrench seat head • hexagon wrench seat • threads with other pitches and lengths.
- Box quantity: Not standard.
- Assembling of: Anti-slip pads • nuts • washers.

Thread sizes in inches are expressed as the number of threads (UNC coarse thread) per Imperial inch

Articulated feet

(base in reinforced polyamide)

Part. **122** \varnothing **150**



Spindle measures in mm				Spindle material			
$\varnothing d$	A	H	Wrench	Zinc plated steel Code	Stainless steel AISI 304 Code	Stainless steel AISI 316 Code	Max static load (N)
M20x2,5	131	86	17	122 / 85736	122 / 85737	-	30000
	161	116	17	122 / 85738	122 / 85739	-	
	186	141	17	122 / 85740	122 / 85741	122 / 85765	
	206	161	17	122 / 88854 NEW	122 / 88855 NEW	-	
	243	198	17	122 / 85742	122 / 85743	-	
M24x3	141	96	19	122 / 85744	122 / 85745	-	32000
	167	122	19	122 / 85746	122 / 85747	-	
	197	152	19	122 / 85748	122 / 85749	-	
	227	182	19	122 / 85750	122 / 85751	-	
	345	300	19	122 / 85752	122 / 85753	-	
M30x3,5	189	144	24	122 / 85754	122 / 85755	-	33000

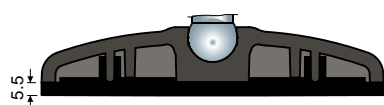
Base material: Reinforced polyamide black colour.

Box quantity: 8 pieces.

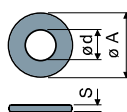
Accessories

Anti-slip pads:

- code: 85780;
- material: thermoplastic rubber 68 Shore black colour;
- box quantity: 8 pieces.

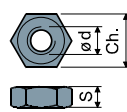


Washers UNI 6592-69 - Box quantity: 24 pieces.



\varnothing M	M20	M24	M30
Smm	3	4	4
\varnothing A mm	37	44	56
Zinc plated steel codes	7290	7293	7295
Stainless steel codes	7292	7294	7296

Nuts UNI 5588-65 - Box quantity: 24 pieces.



\varnothing d	M20	M24	M30
Smm	16	19	24
Ch. mm	30	36	46
Zinc plated steel codes	7276	7279	7281
Stainless steel codes	7278	7280	7282

On request

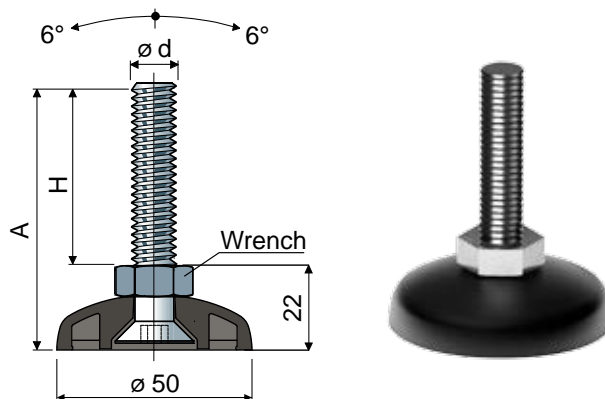
- Bases: In reinforced polypropylene (maximum static load is reduced to 1/3 compared to that with polyamide base) • other colours • with pre-bored fixing holes.
- Spindles with: Sunk hexagon head • second wrench seat head • hexagon wrench seat • threads with other pitches and lengths.
- Box quantity: Not standard.
- Assembling of: Anti-slip pads • nuts • washers.

Adjustable feet

(base in reinforced polyamide)

Ø 50

Part. **79**



Spindle measures in mm				Spindle material		
Ø d	A	H	Wrench	Zinc plated steel	Stainless steel AISI 304	Max static load (N)
				Code	Code	
M10x1,5	67	45	17	79 / 82074	79 / 82075	12000
	92	70	17	79 / 82076	79 / 82077	
	122	100	17	79 / 82078	79 / 82079	

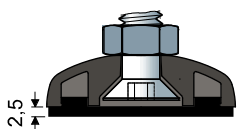
Base material: Reinforced polyamide black colour.

Box quantity: 24 pieces.

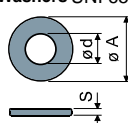
Accessories

Anti-slip pads:

- code: 7264;
- material: thermoplastic rubber 68 Shore black colour;
- box quantity: 24 pieces.

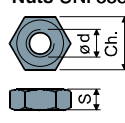


Washers UNI 6592-69 - Box quantity: 24 pieces.



Ø M	M10
S mm	2
Ø A mm	21
Zinc plated steel codes	7283
Stainless steel codes	7286

Nuts UNI 5588-65 - Box quantity: 24 pieces.



Ø d	M10
S mm	8
Ch. mm	17
Zinc plated steel codes	7269
Stainless steel codes	7272

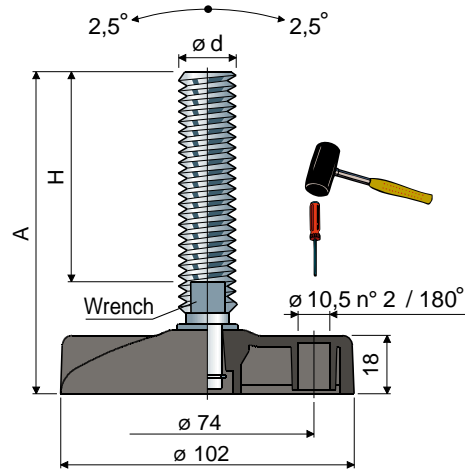
On request

- Bases: In reinforced polypropylene (maximum static load is reduced to 1/3 compared to that with polyamide base) • other colours.
- Spindles with: Threads with other pitches and lengths.
- Box quantity: Not standard.
- Assembling of: Anti-slip pads • nuts • washers.

Adjustable feet

(base in reinforced polyamide)

Part. **87** \varnothing **102**



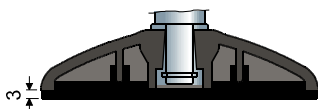
Spindle measures in mm				Base colour						Max static load (N)
				BLACK			BLUE RAL 5005			
$\varnothing d$	A	H	Wrench	Spindle material			Spindle material			
				Zinc plated steel Code	Stainless steel AISI 304 Code	Stainless steel AISI 316 Code	Zinc plated steel Code	Stainless steel AISI 304 Code	Stainless steel AISI 316 Code	
M16x2	98	58	13	87 / 7498	87 / 7499	-	87 / 87870	87 / 87871	-	33000
	129	89	13	87 / 89288 NEW	87 / 89295 NEW	-	87 / 89290 NEW	87 / 89297 NEW	-	
	159	119	13	87 / 7904	87 / 7905	-	87 / 87872	87 / 87873	-	
	185	145	13	87 / 7154	87 / 7155	-	87 / 87874	87 / 87875	-	
	241	201	13	87 / 7156	87 / 7157	-	87 / 87876	87 / 87877	-	
M18x2,5	197	157	15	87 / 82134	87 / 82135	-	87 / 87878	87 / 87879	-	35000
	132	89	17	87 / 87316	87 / 87317	-	87 / 87880	87 / 87881	-	
M20x2,5	150	107	17	87 / 7158	87 / 7159	-	87 / 87882	87 / 87883	-	37000
	179	136	17	87 / 7500	87 / 7501	-	87 / 87884	87 / 87885	-	
	200	157	17	87 / 7160	87 / 7161	87 / 85137	87 / 87886	87 / 87887	87 / 87900	
	233	190	17	87 / 83214	87 / 83215	-	87 / 87888	87 / 87889	-	
	281	238	17	87 / 83216	87 / 83217	-	87 / 87890	87 / 87891	-	
M24x3	136	90	19	87 / 7162	87 / 7163	-	87 / 87892	87 / 87893	-	37000
	173	127	19	87 / 7502	87 / 7503	-	87 / 87894	87 / 87895	-	
	208	162	19	87 / 7164	87 / 7165	-	87 / 87896	87 / 87897	-	
	248	202	19	87 / 83218	87 / 83219	-	87 / 87898	87 / 87899	-	

Base material: Reinforced polyamide black or blue Ral 5005 colour.
Box quantity: 24 pieces.

Accessories

Anti-slip pads:

- code: 7267;
- material: thermoplastic rubber 68 Shore black colour;
- box quantity: 24 pieces.



Washers UNI 6592-69 - Box quantity: 24 pieces.

$\varnothing M$	M16	M20	M24
Smm	3	3	4
$\varnothing A$ mm	30	37	44
Zinc plated steel codes	7289	7290	7293
Stainless steel codes	7291	7292	7294

Nuts UNI 5588-65 - Box quantity: 24 pieces.

$\varnothing d$	M16	M20	M24
Smm	13	16	19
Ch. mm	24	30	36
Zinc plated steel codes	7275	7276	7279
Stainless steel codes	7277	7278	7280

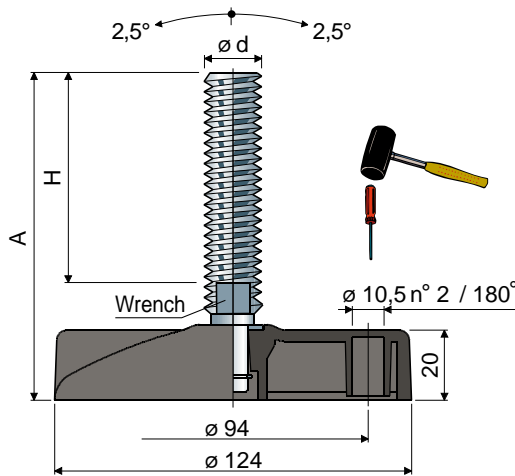
On request

- Bases: In reinforced polypropylene (maximum static load is reduced to 1/3 compared to that with polyamide base) • other colours • with pre-bored fixing holes.
- Spindles with: Sunk hexagon head • second wrench seat head • hexagon wrench seat • threads with other pitches and lengths.
- Box quantity: Not standard.
- Assembling of: Anti-slip pads • nuts • washers.

Adjustable feet

(base in reinforced polyamide)

Ø 124 Part. 89



Spindle measures in mm				Base colour						Max static load (N)
				BLACK			BLUE RAL 5005			
ød	A	H	Wrench	Spindle material			Spindle material			
				Zinc plated steel Code	Stainless steel AISI 304 Code	Stainless steel AISI 316 Code	Zinc plated steel Code	Stainless steel AISI 304 Code	Stainless steel AISI 316 Code	
M16x2	100	58	13	89 / 7504	89 / 7505	-	89 / 87902	89 / 87903	-	43000
	131	89	13	89 / 89292 NEW	89 / 89299 NEW	-	89 / 89294 NEW	89 / 89301 NEW	-	
	161	119	13	89 / 7906	89 / 7907	-	89 / 87904	89 / 87905	-	
	187	145	13	89 / 7166	89 / 7167	-	89 / 87906	89 / 87907	-	
	243	201	13	89 / 7168	89 / 7169	-	89 / 87908	89 / 87909	-	
M18x2,5	199	157	15	89 / 7852	89 / 7851	-	89 / 87910	89 / 87911	-	45000
	134	89	17	89 / 87318	89 / 87319	-	89 / 87912	89 / 87913	-	
	152	107	17	89 / 7170	89 / 7171	-	89 / 87914	89 / 87915	-	
M20x2,5	181	136	17	89 / 7506	89 / 7507	-	89 / 87916	89 / 87917	-	47000
	202	157	17	89 / 7172	89 / 7173	89 / 85138	89 / 87918	89 / 87919	89 / 87901	
	235	190	17	89 / 83220	89 / 83221	-	89 / 87920	89 / 87921	-	
	283	238	17	89 / 83222	89 / 83223	-	89 / 87922	89 / 87923	-	
	138	90	19	89 / 7174	89 / 7175	-	89 / 87924	89 / 87925	-	
M24x3	175	127	19	89 / 7508	89 / 7509	-	89 / 87926	89 / 87927	-	50000
	210	162	19	89 / 7176	89 / 7177	-	89 / 87928	89 / 87929	-	
	250	202	19	89 / 83224	89 / 83225	-	89 / 87930	89 / 87931	-	
M30x3,5	173	125	24	89 / 7178	89 / 7179	-	89 / 87932	89 / 87933	-	50000
	233	185	24	89 / 7180	89 / 7181	-	89 / 87934	89 / 87935	-	

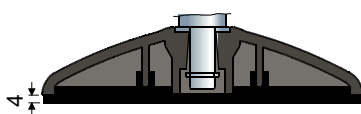
Base material: Reinforced polyamide black or blue Ral 5005 colour.

Box quantity: 8 pieces.

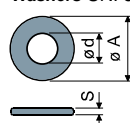
Accessories

Anti-slip pads:

- code: 7268;
- material: thermoplastic rubber 68 Shore black colour;
- box quantity: 8 pieces.

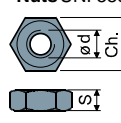


Washers UNI 6592-69 - Box quantity: 24 pieces.



ø M	M16	M20	M24	M30
Smm	3	3	4	4
ø Amm	30	37	44	56
Zinc plated steel codes	7289	7290	7293	7295
Stainless steel codes	7291	7292	7294	7296

Nuts UNI 5588-65 - Box quantity: 24 pieces.



ø d	M16	M20	M24	M30
Smm	13	16	19	24
Ch. mm	24	30	36	46
Zinc plated steel codes	7275	7276	7279	7281
Stainless steel codes	7277	7278	7280	7282

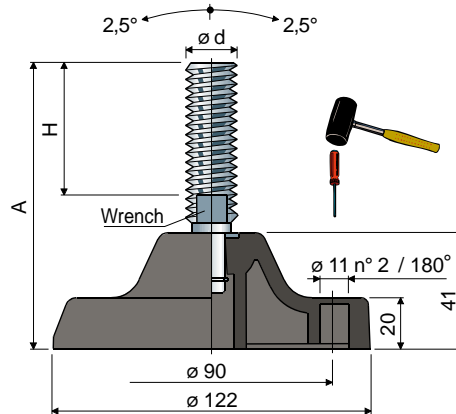
On request

- Bases: In reinforced polypropylene (maximum static load is reduced to 1/3 compared to that with polyamide base) • other colours • with pre-bored fixing holes.
- Spindles with: Sunk hexagon head • second wrench seat head • hexagon wrench seat • threads with other pitches and lengths.
- Box quantity: Not standard.
- Assembling of: Anti-slip pads • nuts • washers.

Adjustable feet

(base in reinforced polyamide)

Part. **93** \varnothing **122**



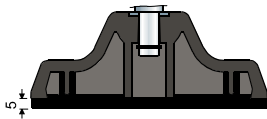
Spindle measures in mm				Base colour						Max static load (N)
				BLACK			BLUE RAL 5005			
$\varnothing d$	A	H	Wrench	Spindle material			Spindle material			
				Zinc plated steel Code	Stainless steel AISI 304 Code	Stainless steel AISI 316 Code	Zinc plated steel Code	Stainless steel AISI 304 Code	Stainless steel AISI 316 Code	
M16x2	119	58	13	93 / 7510	93 / 7511	-	93 / 87936	93 / 87937	-	43000
	150	89	13	93 / 89296 NEW	93 / 89303 NEW	-	93 / 89298 NEW	93 / 89305 NEW	-	
	180	119	13	93 / 7908	93 / 7909	-	93 / 87938	93 / 87939	-	
	206	145	13	93 / 7512	93 / 7513	-	93 / 87940	93 / 87941	-	
	262	201	13	93 / 7514	93 / 7515	-	93 / 87942	93 / 87943	-	
M18x2,5	214	157	15	93 / 82136	93 / 82137	-	93 / 87944	93 / 87945	-	45000
	150	89	17	93 / 80548	93 / 87315	-	93 / 87946	93 / 87947	-	
M20x2,5	171	107	17	93 / 7516	93 / 7517	-	93 / 87948	93 / 87949	-	47000
	200	136	17	93 / 7518	93 / 7519	-	93 / 87950	93 / 87951	-	
	221	157	17	93 / 7520	93 / 7521	93 / 85139	93 / 87952	93 / 87953	93 / 87970	
	250	190	17	93 / 83226	93 / 83227	-	93 / 87954	93 / 87955	-	
	298	238	17	93 / 83228	93 / 83229	-	93 / 87956	93 / 87957	-	
M24x3	157	90	19	93 / 7522	93 / 7523	-	93 / 87958	93 / 87959	-	50000
	194	127	19	93 / 7524	93 / 7525	-	93 / 87960	93 / 87961	-	
	229	162	19	93 / 7526	93 / 7527	-	93 / 87962	93 / 87963	-	
	265	202	19	93 / 83230	93 / 83231	-	93 / 87964	93 / 87965	-	
M30x3,5	188	125	24	93 / 7528	93 / 7529	-	93 / 87966	93 / 87967	-	50000
	252	185	24	93 / 7530	93 / 7531	-	93 / 87968	93 / 87969	-	

Base material: Reinforced polyamide black or blue Ral 5005 colour.
Box quantity: 8 pieces.

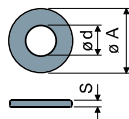
Accessories

Anti-slip pads:

- code: 7633;
- material: thermoplastic rubber 68 Shore black colour;
- box quantity: 8 pieces.

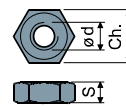


Washers UNI 6592-69 - Box quantity: 24 pieces.



$\varnothing M$	M16	M20	M24	M30
Smm	3	3	4	4
$\varnothing A$ mm	30	37	44	56
Zinc plated steel codes	7289	7290	7293	7295
Stainless steel codes	7291	7292	7294	7296

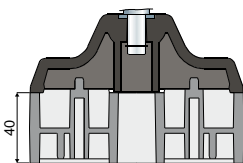
Nuts UNI 5588-65 - Box quantity: 24 pieces.



$\varnothing d$	M16	M20	M24	M30
Smm	13	16	19	24
Ch. mm	24	30	36	46
Zinc plated steel codes	7275	7276	7279	7281
Stainless steel codes	7277	7278	7280	7282

Spacers:

- code: 83410 (see pag. 266);
- material: Reinforced polyamide black colour;
- box quantity: 8 pieces.



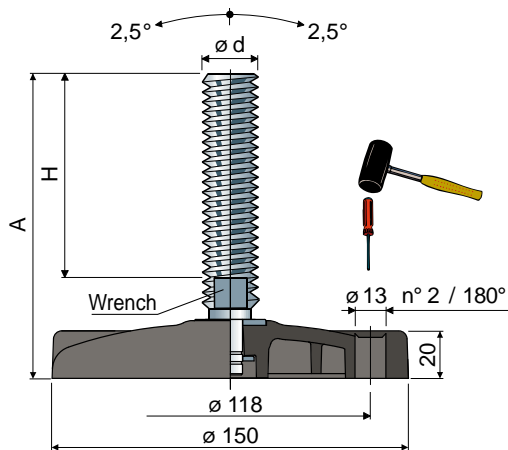
On request

- Bases: In reinforced polypropylene (maximum static load is reduced to 1/3 compared to that with polyamide base) • other colours • with pre-bored fixing holes.
- Spindles with: Sunk hexagon head • second wrench seat head • hexagon wrench seat • threads with other pitches and lengths.
- Box quantity: Not standard.
- Assembling of: Anti-slip pads • nuts • washers.

Adjustable feet

(base in reinforced polyamide)

Ø 150 Part. 124



Spindle measures in mm				Base colour						Max static load (N)
				BLACK			BLUE RAL 5005			
				Spindle material						
ø d	A	H	Wrench	Zinc plated steel	Stainless steel AISI 304	Stainless steel AISI 316	Zinc plated steel	Stainless steel AISI 304	Stainless steel AISI 316	
				Code	Code	Code	Code	Code	Code	
M16x2	98	58	13	124 / 85782	124 / 85791	-	124 / 87972	124 / 87973	-	45000
	129	89	13	124 / 89300 NEW	124 / 89307 NEW	-	124 / 89302 NEW	124 / 89309 NEW	-	
	159	119	13	124 / 85784	124 / 85793	-	124 / 87974	124 / 87975	-	
	185	145	13	124 / 85786	124 / 85795	-	124 / 87976	124 / 87977	-	
	241	201	13	124 / 85788	124 / 85797	-	124 / 87978	124 / 87979	-	
M18x2,5	197	157	15	124 / 85790	124 / 85799	-	124 / 87980	124 / 87981	-	47000
	132	89	17	124 / 87320	124 / 87321	-	124 / 87982	124 / 87983	-	
	150	107	17	124 / 85756	124 / 85767	-	124 / 87984	124 / 87985	-	
	179	136	17	124 / 85758	124 / 85769	-	124 / 87986	124 / 87987	-	
	200	157	17	124 / 85760	124 / 85771	124 / 85789	124 / 87988	124 / 87989	124 / 87971	
M20x2,5	233	190	17	124 / 85762	124 / 85773	-	124 / 87990	124 / 87991	-	49000
	281	238	17	124 / 85766	124 / 85775	-	124 / 87992	124 / 87993	-	
	136	90	19	124 / 85768	124 / 85777	-	124 / 87994	124 / 87995	-	
	173	127	19	124 / 85770	124 / 85779	-	124 / 87996	124 / 87997	-	
	208	162	19	124 / 85772	124 / 85781	-	124 / 87998	124 / 87999	-	
M24x3	248	202	19	124 / 85774	124 / 85783	-	124 / 88000	124 / 88001	-	52000
	171	125	24	124 / 85776	124 / 85785	-	124 / 88002	124 / 88003	-	
M30x3,5	231	185	24	124 / 85778	124 / 85787	-	124 / 88004	124 / 88005	-	

Base material: Reinforced polyamide black or blue Ral 5005 colour.

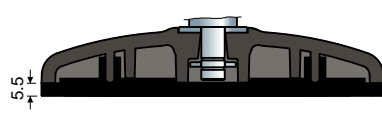
Box quantity: 8 pieces.

Accessories

Anti-slip pads:

- code: 85780;
- material: thermoplastic rubber 68 Shore black colour;
- box quantity: 8 pieces.

Washers UNI 6592-69 - Box quantity: 24 pieces.



ø M	M16	M20	M24	M30
Smm	3	3	4	4
ø A mm	30	37	44	56
Zinc plated steel codes	7289	7290	7293	7295
Stainless steel codes	7291	7292	7294	7296

Nuts UNI 5588-65 - Box quantity: 24 pieces.

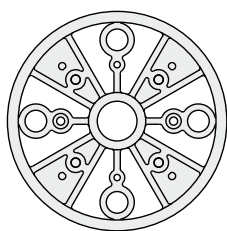
ø d	M16	M20	M24	M30
Smm	13	16	19	24
Ch. mm	24	30	36	46
Zinc plated steel codes	7275	7276	7279	7281
Stainless steel codes	7277	7278	7280	7282

On request

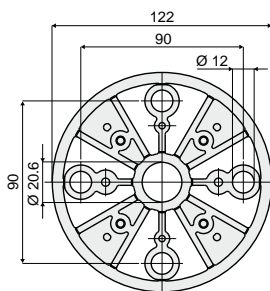
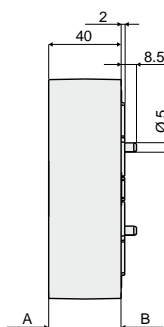
- Bases: In reinforced polypropylene (maximum static load is reduced to 1/3 compared to that with polyamide base) • other colours • with pre-bored fixing holes.
- Spindles with: Sunk hexagon head • second wrench seat head • hexagon wrench seat • threads with other pitches and lengths.
- Box quantity: Not standard.
- Assembling of: Anti-slip pads • nuts • washers.

Accessories for supporting and levelling components

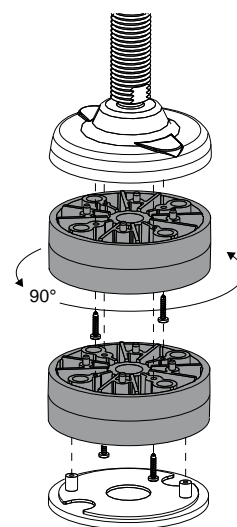
Part. 104 Spacer (for Part.92, 93)



A view (spacer)



B view (spacer)



Example of application

Code
104 / 83410

Materials: Spacer in reinforced polyamide black colour.

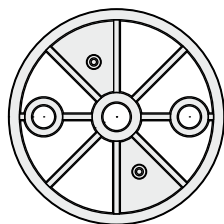
Features: To be used with foot-plates part. 92 and 93 to increase the height of the foot-plates. It is possible to assemble the anti-slip code 7633 (see page 259, 264).

Box quantity: 8 pieces.

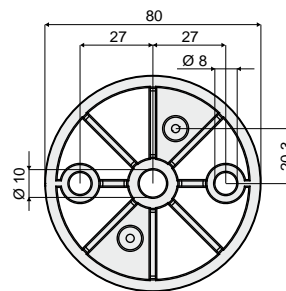
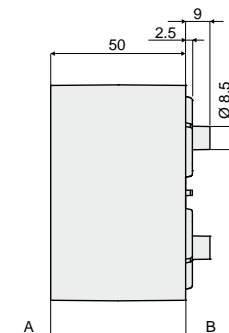
On request:

- Box quantity: According to your request.

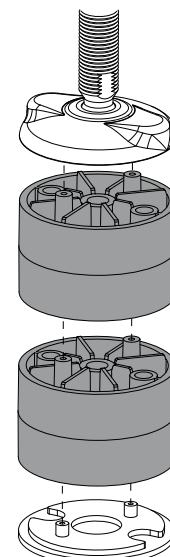
Part. 127 Spacer (for Part.25)



A view (spacer)



B view (spacer)



Example of application

Code
127 / 86797

Materials: Spacer in reinforced polyamide black colour.

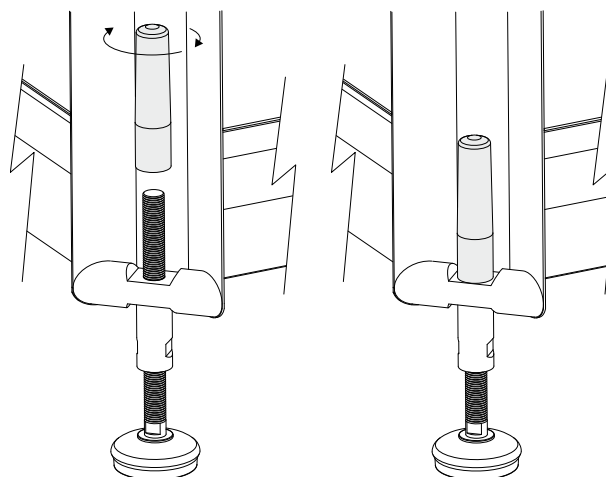
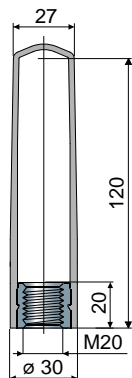
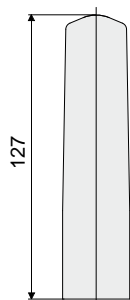
Features: To be used with footplate part. 25 to increase the height of the foot-plates. It is possible to assemble the anti-slip code 7266 (see page 250, 256).

Box quantity: 8 pieces.

On request:

- Box quantity: According to your request.

Part. 128 Protection cap (for M20 spindle)



Example of application

Code
128 / 87128

Materials: Cap in polypropylene grey colour, threaded bushing in nickel plated brass.

Features: To be screwed as a thread protection on M20 spindles, for total protection of the thread.

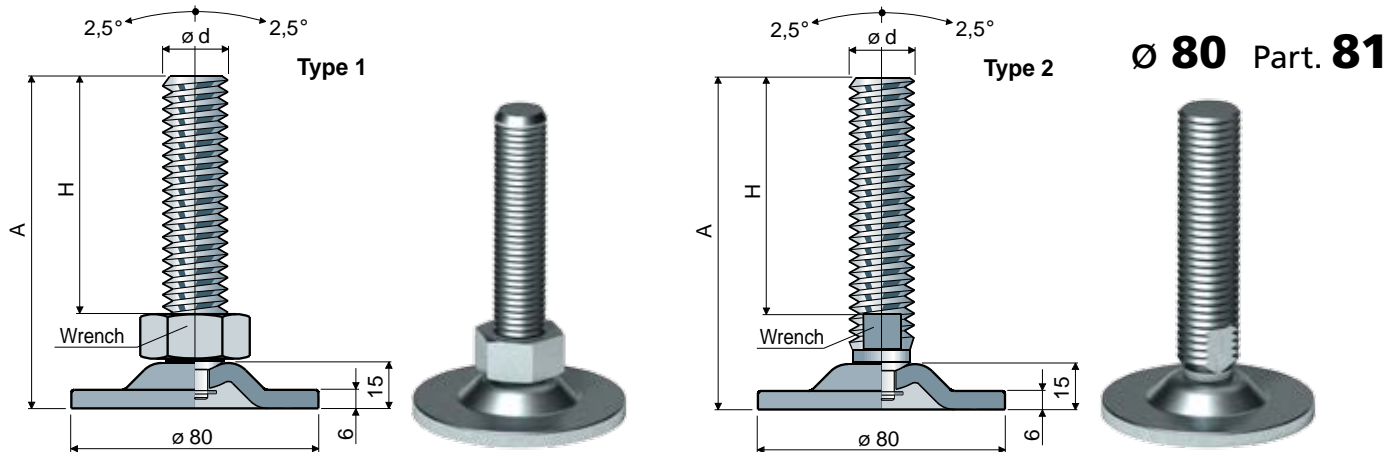
Box quantity: 8 pieces.

On request:

- Box quantity: According to your request.

Adjustable feet

(base in steel)



Spindle measures in mm			Spindle and base in zinc plated steel			Max static load (N)
ød	A	H	Wrench	Type 1 Code	Type 2 Code	
M20x2,5	120	87	30	81 / 80786	-	40000
	152	117	30	81 / 84318	-	
	160	127	30	81 / 82882	-	
M24x3	120	85	19	-	81 / 80214	

Material: Base and spindle in zinc-plated steel.

Box quantity: 8 pieces.

Washers UNI 6592-69 - Box quantity: 24 pieces.

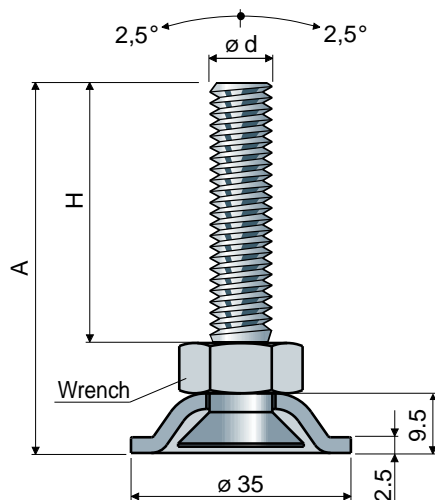
ø M	M20	M24
Smm	3	4
ø Amm	37	44
Zinc plated steel codes	7290	7293

Nuts UNI 5588-65 - Box quantity: 24 pieces.

ø d	M20	M24
Smm	16	19
Ch. mm	30	36
Zinc plated steel codes	7276	7279

On request

- Spindles with: Sunk hexagon head • second wrench seat head • hexagon wrench seat • threads with other pitches and lengths.
- Box quantity: Not standard.
- Assembling of: Nuts • washers.



Ø 35 Part. 123

Spindle measures in mm			Spindle material			Max static load (N)
ød	A	H	Wrench	Zinc plated steel Code	Stainless steel AISI 304 Code	
M10x1,5	66	48,5	17	123 / 85712	123 / 85713	10000
	91	73,5	17	123 / 85714	123 / 85715	
	121	103,5	17	123 / 85716	123 / 85717	

Base material: Stainless steel AISI 304.

Box quantity: 24 pieces.

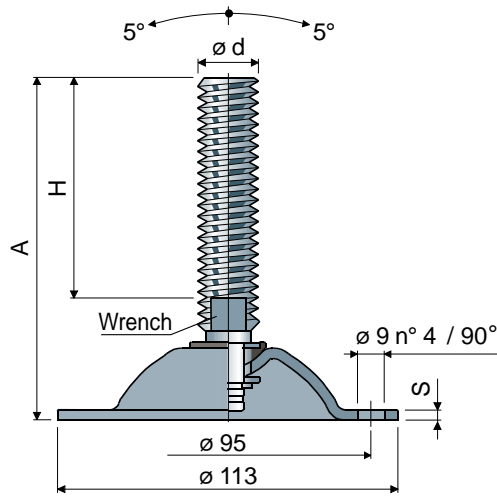
On request

- Box quantity: Not standard.
- Assembling of: Nuts • washers.

Adjustable feet

(base in steel)

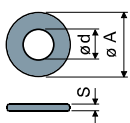
Part. **96** Ø **113**



Spindle measures in mm			Spindle and base material			Max static load (N)
$\varnothing d$	A	H	Wrench	Zinc plated steel Code	Stainless steel AISI 304 Code	
M16x2	100	58	13	96 / 7562	96 / 7563	15000 (zinc plated) S = 3,5
	131	89	13	96 / 89304 NEW	96 / 89311 NEW	
	161	119	13	96 / 7916	96 / 7917	
	187	145	13	96 / 7564	96 / 7565	
	243	201	13	96 / 7566	96 / 7567	
M18x2,5	199	157	15	96 / 82138	96 / 82139	
	134	89	17	96 / 87322	96 / 87323	
	152	107	17	96 / 7568	96 / 7569	
M20x2,5	181	136	17	96 / 7570	96 / 7571	
	202	157	17	96 / 7572	96 / 7573	
	235	190	17	96 / 83232	96 / 83233	
	283	238	17	96 / 83234	96 / 83235	
	138	90	19	96 / 7574	96 / 7575	10000 (AISI 304) S = 3
M24x3	175	127	19	96 / 7576	96 / 7577	
	210	162	19	96 / 7578	96 / 7579	
	250	202	19	96 / 83236	96 / 83237	
	173	125	24	96 / 7580	96 / 7581	
M30x3,5	233	185	24	96 / 7582	96 / 7583	

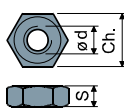
Box quantity: 8 pieces.

Washers UNI 6592-69 - Box quantity: 24 pieces.



$\varnothing M$	M16	M20	M24	M30
Smm	3	3	4	4
$\varnothing A$ mm	30	37	44	56
Zinc plated steel codes	7289	7290	7293	7295
Stainless steel codes	7291	7292	7294	7296

Nuts UNI 5588-65 - Box quantity: 24 pieces.



$\varnothing d$	M16	M20	M24	M30
Smm	13	16	19	24
Ch. mm	24	30	36	46
Zinc plated steel codes	7275	7276	7279	7281
Stainless steel codes	7277	7278	7280	7282

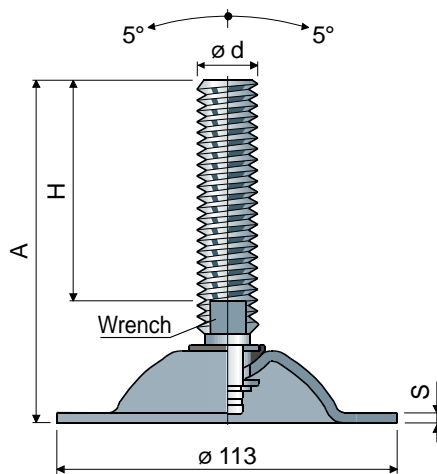
On request

- Spindles with: Sunk hexagon head • second wrench seat head • hexagon wrench seat • threads with other pitches and lengths • stainless steel AISI 316.
- Box quantity: Not standard.
- Assembling of: Nuts • washers.

Adjustable feet

(base in steel)

∅ 113 Part. 98



Spindle measures in mm			Spindle and base material			
∅ d	A	H	Wrench	Zinc plated steel Code	Stainless steel AISI 304 Code	Max static load (N)
M16x2	100	58	13	98 / 7584	98 / 7585	15000 (zinc plated) S = 3,5
	131	89	13	98 / 89306 NEW	98 / 89313 NEW	
	161	119	13	98 / 7918	98 / 7919	
	187	145	13	98 / 7586	98 / 7587	
	243	201	13	98 / 7588	98 / 7589	
M18x2,5	199	157	15	98 / 82140	98 / 82141	
	134	89	17	98 / 87324	98 / 87325	
	152	107	17	98 / 7590	98 / 7591	
M20x2,5	181	136	17	98 / 7592	98 / 7593	
	202	157	17	98 / 7594	98 / 7595	
	235	190	17	98 / 83238	98 / 83239	
	283	238	17	98 / 83240	98 / 83241	
	M24x3	138	90	19	98 / 7596	98 / 7597
175		127	19	98 / 7598	98 / 7599	
210		162	19	98 / 7600	98 / 7601	
250		202	19	98 / 83242	98 / 83243	
M30x3,5	173	125	24	98 / 7602	98 / 7603	
	233	185	24	98 / 7604	98 / 7605	

Box quantity: 8 pieces.

Washers UNI 6592-69 - Box quantity: 24 pieces.

∅ M	M16	M20	M24	M30
Smm	3	3	4	4
∅ A mm	30	37	44	56
Zinc plated steel codes	7289	7290	7293	7295
Stainless steel codes	7291	7292	7294	7296

Nuts UNI 5588-65 - Box quantity: 24 pieces.

∅ d	M16	M20	M24	M30
Smm	13	16	19	24
Ch. mm	24	30	36	46
Zinc plated steel codes	7275	7276	7279	7281
Stainless steel codes	7277	7278	7280	7282

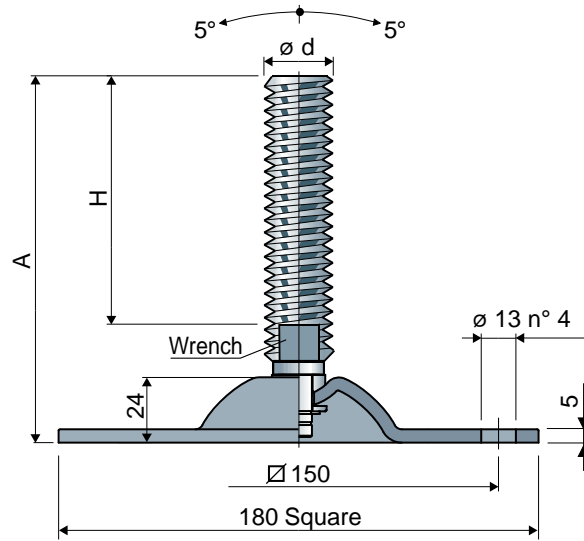
On request

- Spindles with: Sunk hexagon head • second wrench seat head • hexagon wrench seat • threads with other pitches and lengths • stainless steel AISI 316.
- Box quantity: Not standard.
- Assembling of: Nuts • washers.

Adjustable feet

(base in steel)

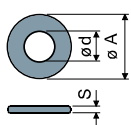
Part. **94** \square 180



Spindle measures in mm				Spindle and base in zinc plated steel		Spindle and base in stainless steel AISI 304		Max static load (N)
$\varnothing d$	A	H	Wrench	Code	Code			
M16x2	100	57	13	94 / 82968	94 / 86119		45000	
	131	89	13	94 / 89308 NEW	94 / 89315 NEW			
	161	118	13	94 / 82970	94 / 86121			
	187	144	13	94 / 82972	94 / 86123			
	243	200	13	94 / 82974	94 / 86125			
M18x2,5	199	157	15	94 / 82976	94 / 86127		46000	
	134	89	17	94 / 87326	94 / 87327			
	152	107	17	94 / 82978	94 / 86129			
M20x2,5	181	136	17	94 / 82980	94 / 86131		47000	
	202	157	17	94 / 82982	94 / 86133			
	235	190	17	94 / 82984	94 / 86135			
	283	238	17	94 / 83262	94 / 86137			
	138	90	19	94 / 82986	94 / 86139			
M24x3	175	127	19	94 / 82988	94 / 86141		48000	
	210	162	19	94 / 82990	94 / 86143			
	250	202	19	94 / 83264	94 / 86145			
	173	125	24	94 / 82992	94 / 86147			
M30x3,5	233	185	24	94 / 82994	94 / 86149		49000	

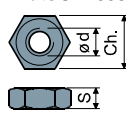
Box quantity: 8 pieces.

Washers UNI 6592-69 - Box quantity: 24 pieces.



$\varnothing M$	M16	M20	M24	M30
Smm	3	3	4	4
$\varnothing A$ mm	30	37	44	56
Zinc plated steel codes	7289	7290	7293	7295
Stainless steel codes	7291	7292	7294	7296

Nuts UNI 5588-65 - Box quantity: 24 pieces.



$\varnothing d$	M16	M20	M24	M30
Smm	13	16	19	24
Ch. mm	24	30	36	46
Zinc plated steel codes	7275	7276	7279	7281
Stainless steel codes	7277	7278	7280	7282

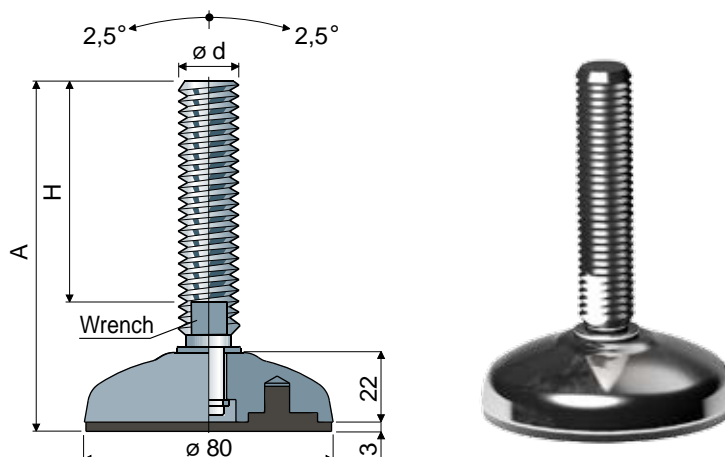
On request

- Spindles with: Sunk hexagon head • second wrench seat head • hexagon wrench seat • threads with other pitches and lengths.
- Box quantity: Not standard.
- Assembling of: Nuts • washers.

Adjustable feet

(base in nickel plated steel)

Ø 80 Part. 95



Spindle measures in mm				Spindle material		Max static load (N)
$\varnothing d$	A	H	Wrench	Zinc plated steel Code	Stainless steel AISI 304 Code	
M16x2	101	58	13	95 / 7532	95 / 7533	46000
	132	89	13	95 / 89310 NEW	95 / 89317 NEW	
	162	119	13	95 / 7910	95 / 7911	
	188	145	13	95 / 7534	95 / 7535	
	244	201	13	95 / 7536	95 / 7537	
M18x2,5	200	157	15	95 / 82144	95 / 82145	47000
	135	89	17	95 / 87328	95 / 87329	
M20x2,5	153	107	17	95 / 7538	95 / 7539	
	182	136	17	95 / 7540	95 / 7541	
	203	157	17	95 / 7542	95 / 7543	
	236	190	17	95 / 83244	95 / 83245	
	284	238	17	95 / 83246	95 / 83247	
M24x3	139	90	19	95 / 7544	95 / 7545	48000
	176	127	19	95 / 7546	95 / 7547	
	211	162	19	95 / 7548	95 / 7549	
	250	202	19	95 / 83248	95 / 83249	

Base material: Nickel plated steel.

Box quantity: 8 pieces.

Features: The feet are complete with anti-slip pad made out of thermoplastic rubber 68 Shore black colour.

Washers UNI 6592-69 - Box quantity: 24 pieces.

$\varnothing M$	M16	M20	M24
Smm	3	3	4
$\varnothing A$ mm	30	37	44
Zinc plated steel codes	7289	7290	7293
Stainless steel codes	7291	7292	7294

Nuts UNI 5588-65 - Box quantity: 24 pieces.

$\varnothing d$	M16	M20	M24
Smm	13	16	19
Ch. mm	24	30	36
Zinc plated steel codes	7275	7276	7279
Stainless steel codes	7277	7278	7280

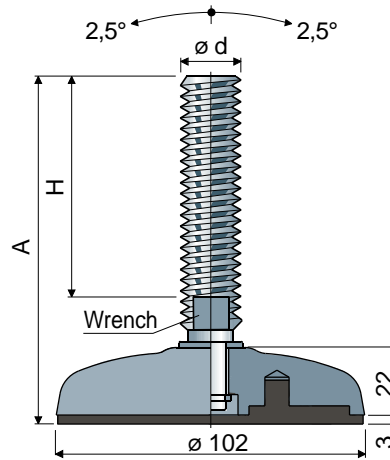
On request

- Spindles with: Sunk hexagon head • second wrench seat head • hexagon wrench seat • threads with other pitches and lengths • stainless steel AISI 316.
- Box quantity: Not standard.
- Assembling of: Nuts • washers.

Adjustable feet

(base in steel)

Part. **97** Ø **102**



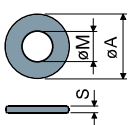
Spindle measures in mm				Base in nickel plated steel	Base in nickel plated steel	Base in stainless steel AISI 304	Max static load (N)
$\varnothing d$	A	H	Wrench	Spindle in zinc plated steel Code	Spindle in stainless steel AISI 304 Code	Spindle in stainless steel AISI 304 Code	
M16x2	101	58	13	97 / 7550	97 / 7551	97 / 87296	50000
	132	89	13	97 / 89312 NEW	97 / 89319 NEW	97 / 89321 NEW	
	162	119	13	97 / 7912	97 / 7913	97 / 87297	
	188	145	13	97 / 7182	97 / 7183	97 / 87298	
	244	201	13	97 / 7184	97 / 7185	97 / 87299	
M18x2,5	200	157	15	97 / 82146	97 / 82147	97 / 87300	51000
	135	89	17	97 / 87330	97 / 87331	97 / 87443	
	153	107	17	97 / 7186	97 / 7187	97 / 87301	
M20x2,5	182	136	17	97 / 7552	97 / 7553	97 / 87302	52000
	203	157	17	97 / 7188	97 / 7189	97 / 87303	
	236	190	17	97 / 83250	97 / 83251	97 / 87304	
	284	238	17	97 / 83252	97 / 83253	97 / 87305	
	139	90	19	97 / 7190	97 / 7191	97 / 87306	
M24x3	176	127	19	97 / 7554	97 / 7555	97 / 87307	52000
	211	162	19	97 / 7192	97 / 7193	97 / 87308	
	250	202	19	97 / 83254	97 / 83255	97 / 87309	

Base material: Nickel plated steel or stainless steel AISI 304.

Box quantity: 8 pieces.

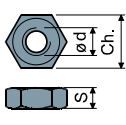
Features: The feet are complete with anti-slip pad made out of thermoplastic rubber 68 Shore black colour .

Washers UNI 6592-69 - Box quantity: 24 pieces.



$\varnothing M$	M16	M20	M24
Smm	3	3	4
$\varnothing A$ mm	30	37	44
Zinc plated steel codes	7289	7290	7293
Stainless steel codes	7291	7292	7294

Nuts UNI 5588-65 - Box quantity: 24 pieces.



$\varnothing d$	M16	M20	M24
Smm	13	16	19
Ch. mm	24	30	36
Zinc plated steel codes	7275	7276	7279
Stainless steel codes	7277	7278	7280

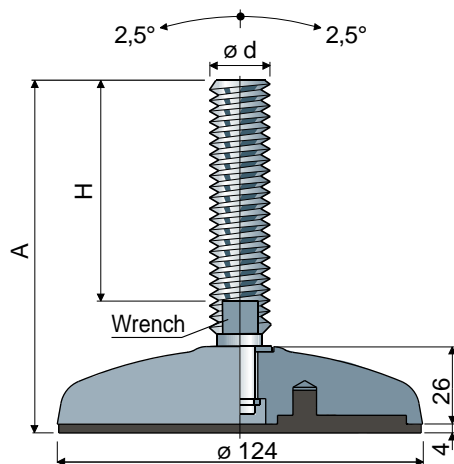
On request

- Spindles with: Sunk hexagon head • second wrench seat head • hexagon wrench seat • threads with other pitches and lengths • stainless steel AISI 316.
- Box quantity: Not standard.
- Assembling of: Nuts • washers.

Adjustable feet

(base in steel)

Ø 124 Part. 99



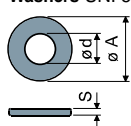
Spindle measures in mm			Base in nickel plated steel	Base in nickel plated steel	Base in stainless steel AISI 304	Max static load (N)
ø d	A	H	Spindle in zinc plated steel Code	Spindle in stainless steel AISI 304 Code	Spindle in stainless steel AISI 304 Code	
M16x2	104	58	13	99 / 7556	99 / 7557	55000
	135	89	13	99 / 89316 NEW	99 / 89323 NEW	
	165	119	13	99 / 7914	99 / 7915	
	191	145	13	99 / 7194	99 / 7195	
	247	201	13	99 / 7196	99 / 7197	
M18x2,5	203	157	15	99 / 82148	99 / 82149	56000
	138	89	17	99 / 87332	99 / 87333	
	156	107	17	99 / 7198	99 / 7199	
M20x2,5	185	136	17	99 / 7558	99 / 7559	57000
	206	157	17	99 / 7200	99 / 7201	
	239	190	17	99 / 83256	99 / 83257	
	287	238	17	99 / 83258	99 / 83259	
	142	90	19	99 / 7202	99 / 7203	
M24x3	179	127	19	99 / 7560	99 / 7561	58000
	214	162	19	99 / 7204	99 / 7205	
	254	202	19	99 / 83260	99 / 83261	
M30x3,5	177	125	24	99 / 7206	99 / 7207	58000
	237	185	24	99 / 7208	99 / 7209	

Base material: Nickel plated steel or stainless steel AISI 304.

Box quantity: 8 pieces.

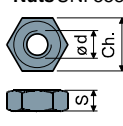
Features: The feet are complete with anti-slip pad made out of thermoplastic rubber 68 Shore black colour .

Washers UNI 6592-69 - Box quantity: 24 pieces.



ø M	M16	M20	M24	M30
Smm	3	3	4	4
ø A mm	30	37	44	56
Zinc plated steel codes	7289	7290	7293	7295
Stainless steel codes	7291	7292	7294	7296

Nuts UNI 5588-65 - Box quantity: 24 pieces.



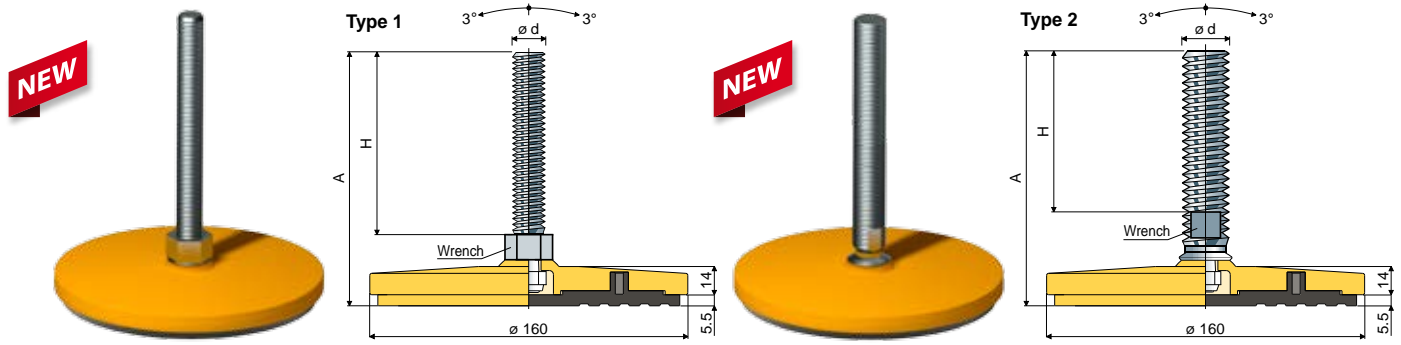
ø d	M16	M20	M24	M30
Smm	13	16	19	24
Ch. mm	24	30	36	46
Zinc plated steel codes	7275	7276	7279	7281
Stainless steel codes	7277	7278	7280	7282

On request

- Spindles with: Sunk hexagon head • second wrench seat head • hexagon wrench seat • threads with other pitches and lengths • stainless steel AISI 316.
- Box quantity: Not standard.
- Assembling of: Nuts • washers.

Adjustable feet (base in painted steel)

Part. **129** \varnothing **160**



Spindle measures in mm				Spindle in zinc plated steel		Spindle in stainless steel		Max static load (N)
ød	A	H	Wrench	Type 1 Code	Type 2 Code	Type 1 Code	Type 2 Code	
M16x2	95	57	24	129 / 88760	-	129 / 88769	-	50000
	127	89	24	129 / 89318	-	129 / 89327	-	
	156	118	24	129 / 88762	-	129 / 88763	-	
	182	144	24	129 / 88764	-	129 / 88765	-	
	238	200	24	129 / 88766	-	129 / 88767	-	
M20x2,5	135	89	17	-	129 / 88770	-	129 / 88771	
	153	107	17	-	129 / 88772	-	129 / 88773	
	182	136	17	-	129 / 88774	-	129 / 88775	
	203	157	17	-	129 / 88776	-	129 / 88777	
	236	190	17	-	129 / 88778	-	129 / 88779	
	284	238	17	-	129 / 88780	-	129 / 88781	
M24x3	138	90	19	-	129 / 88782	-	129 / 88783	
	175	127	19	-	129 / 88784	-	129 / 88785	
	210	162	19	-	129 / 88786	-	129 / 88787	
	250	202	19	-	129 / 88788	-	129 / 88789	
M30x3,5	173	125	24	-	129 / 88790	-	129 / 88791	
	233	185	24	-	129 / 88792	-	129 / 88793	

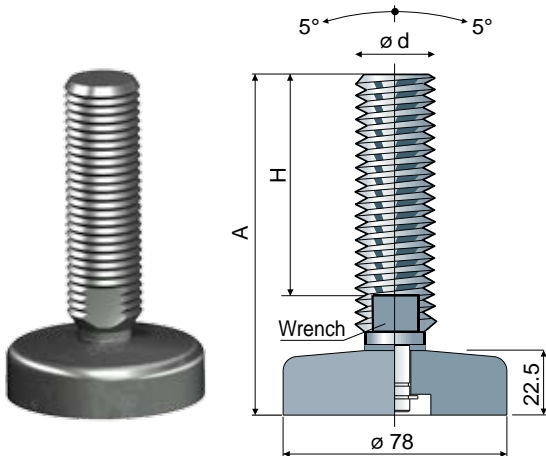
Base material: Painted steel, yellow colour, Ral 1007.

Box quantity: 8 pieces.

Features: Complete with anti-slip pad made out of thermoplastic rubber 70 Shore black colour.

Adjustable feet, sanitizable (stainless steel base for important loads)

Part. **115** \varnothing **78**



Spindle measures in mm				Spindle and base in stainless steel AISI 304 Code	Max static load (N)
ød	A	H	Wrench		
M16x2	99	58	13	115 / 83958	52000
	130	89	13	115 / 89320 NEW	
	160	119	13	115 / 83959	
	186	145	13	115 / 83960	
	242	201	13	115 / 83961	
M20x2,5	132	89	17	115 / 87334	
	150	107	17	115 / 83962	
	179	136	17	115 / 83963	
	200	157	17	115 / 83964	
	233	190	17	115 / 83965	
	281	238	17	115 / 83966	
M24x3	136	90	19	115 / 83967	
	173	127	19	115 / 83968	
	208	162	19	115 / 83969	
	248	202	19	115 / 83970	
M30x3,5	171	125	24	115 / 83971	
	231	185	24	115 / 83831	

Material: Spindle and base in stainless steel AISI 304.

Box quantity: 8 pieces.

Washers UNI 6592-69 - Box quantity: 24 pieces.

ø M	M16	M20	M24	M30
Smm	3	3	4	4
ø A mm	30	37	44	56
Stainless steel codes	7291	7292	7294	7296

Nuts UNI 5588-65 - Box quantity: 24 pieces.

ød	M16	M20	M24	M30
Smm	13	16	19	24
Ch. mm	24	30	36	46
Stainless steel codes	7277	7278	7280	7282

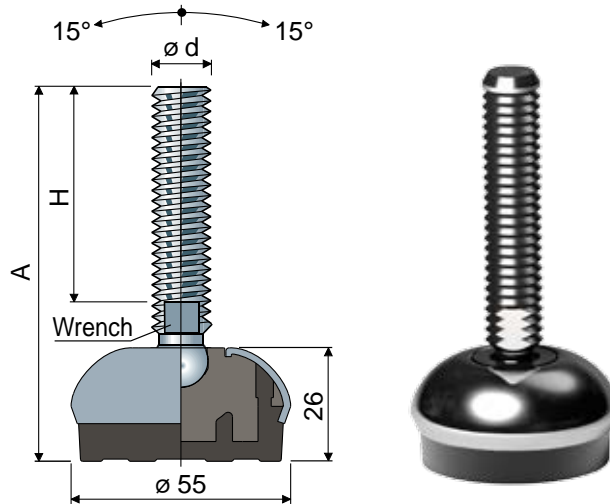
On request

- Spindles with: Sunk hexagon head • second wrench seat head • hexagon wrench seat • threads with other pitches and lengths • stainless steel AISI 316.
- Box quantity: Not standard.
- Assembling of: Nuts • washers.

Articulated feet, sanitizable

(base in stainless steel)

Ø 55 Part. 113



Spindle measures in mm				Spindle and base in stainless steel AISI 304		Max static load (N)
$\varnothing d$	A	H	Wrench	Code		
M8x1,25	80	45	6	113 / 83791	11000	
	100	65	6	113 / 83792		
	142	107	6	113 / 83793		
M10x1,5	71	35	8	113 / 83794	12000	
	107	70	8	113 / 83795		
	152	115	8	113 / 83796		
M12x1,75	82	43	10	113 / 83797	13000	
	102	63	10	113 / 83798		
	116	77	10	113 / 83799		
	132	93	10	113 / 83822		
	162	123	10	113 / 83823		
M14x2	102	61	12	113 / 83824	14000	
	132	91	12	113 / 83825		
	157	116	12	113 / 83826		
M16x2	103	60	13	113 / 83784	15000	
	133	90	13	113 / 83785		
	148	105	13	113 / 83786		
	168	125	13	113 / 83787		
	198	155	13	113 / 83788		
	208	165	13	113 / 83789		
	248	205	13	113 / 83790		

Spindle measures in inches				Spindle and base in stainless steel AISI 304		Max static load (N)
$\varnothing d$	A	H	Wrench	Code		
1/2" -13 UNC	5,19"	4"	7/16"	113 / 83827	13000	
5/8" -11 UNC	8,70"	7"	1/2"	113 / 83800	15000	
3/4" -10 UNC	8,78"	7"	5/8"	113 / 83801	19000	

Base material: Internal part made of reinforced polyamide; external covering made of stainless steel AISI 304; anti-slip pad made of thermoplastic rubber 68 Shore black colour.

Box quantity: 8 pieces.

Features: Co-moulded anti-slip pad allows a perfect adherence with steel base. Consequent absence of internal cavities makes foot extremely cleanable.

Washers UNI 6592-69 - Box quantity: 24 pieces.

	$\varnothing M$	M8	M10	M12	M14	M16
	Smm	1,6	2	2,5	2,5	3
	$\varnothing A$ mm	17	21	24	28	30
	Stainless steel codes	7637	7286	7287	7288	7291

Nuts UNI 5588-65 - Box quantity: 24 pieces.

	$\varnothing d$	M8	M10	M12	M14	M16
	Smm	6,5	8	10	11	13
	Ch. mm	13	17	19	22	24
	Stainless steel codes	7635	7272	7273	7274	7277

On request

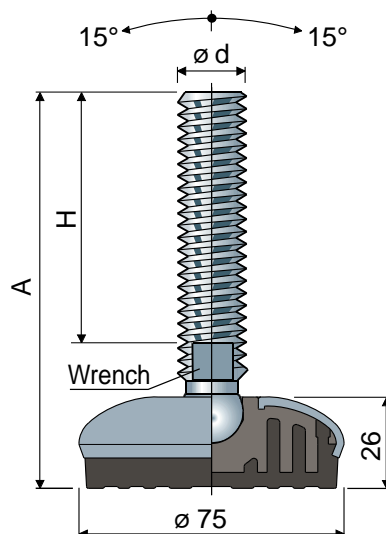
- Spindles with: Sunk hexagon head • second wrench seat head • hexagon wrench seat • threads with other pitches and lengths • stainless steel AISI 316.
- Anti-slip pads: White colour.
- Box quantity: Not standard.
- Assembling of: Nuts • washers.

Thread sizes in inches are expressed as the number of threads (UNC coarse thread) per Imperial inch

Articulated feet, sanitizable

(base in stainless steel)

Part. **107** \varnothing **75**



Spindle measures in mm				Spindle and base in stainless steel AISI 304		Max static load (N)
$\varnothing d$	A	H	Wrench	Code		
M16x2	103	60	13	107 / 83524	19000	
	133	90	13	107 / 83525		
	148	105	13	107 / 83526		
	168	125	13	107 / 83527		
	198	155	13	107 / 83528		
	208	165	13	107 / 83529		
M20x2,5	248	205	13	107 / 83530	21000	
	132	86	17	107 / 83531		
	162	116	17	107 / 83532		
	187	141	17	107 / 83533		
	207	161	17	107 / 88856 NEW		
M24x3	244	198	17	107 / 83534	23000	
	142	96	19	107 / 83535		
	168	122	19	107 / 83536		
	198	152	19	107 / 83537		
M30x3,5	228	182	19	107 / 83538	25000	
	346	300	19	107 / 83539		
	190	144	24	107 / 86221		

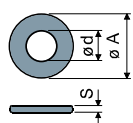
Spindle measures in inches				Spindle and base in stainless steel AISI 304		Max static load (N)
$\varnothing d$	A	H	Wrench	Code		
5/8"-11 UNC	8,70"	7"	1/2"	107 / 83592	19000	
3/4"-10 UNC	8,78"	7"	5/8"	107 / 83593	21000	

Base material: Internal part made of reinforced polyamide; external covering made of stainless steel AISI 304; anti-slip pad made of thermoplastic rubber 68 Shore black colour.

Box quantity: 8 pieces.

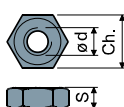
Features: Co-moulded anti-slip pad allows a perfect adherence with steel base. Consequent absence of internal cavities makes foot extremely cleanable.

Washers UNI 6592-69 - Box quantity: 24 pieces.



$\varnothing M$	M16	M20	M24	M30
Smm	3	3	4	4
$\varnothing A$ mm	30	37	44	56
Stainless steel codes	7291	7292	7294	7296

Nuts UNI 5588-65 - Box quantity: 24 pieces.



$\varnothing d$	M16	M20	M24	M30
Smm	13	16	19	24
Ch. mm	24	30	36	46
Stainless steel codes	7277	7278	7280	7282

On request

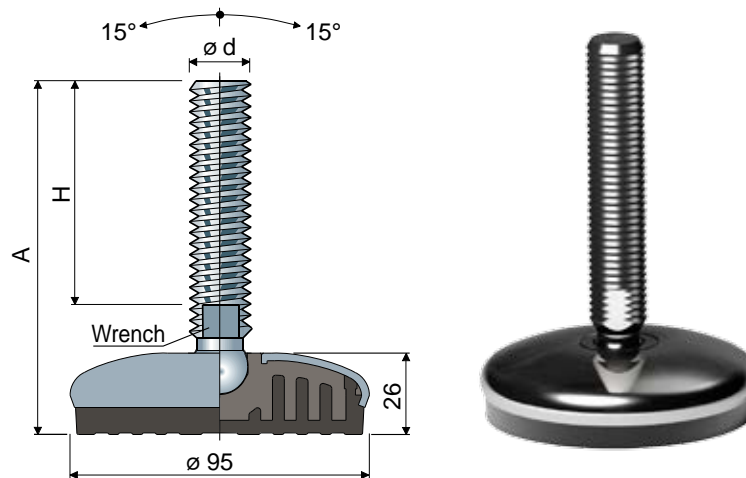
- Spindles with: Sunk hexagon head • second wrench seat head • hexagon wrench seat • threads with other pitches and lengths • stainless steel AISI 316.
- Anti-slip pads: White colour.
- Box quantity: Not standard.
- Assembling of: Nuts • washers.

Thread sizes in inches are expressed as the number of threads (UNC coarse thread) per Imperial inch

Articulated feet, sanitizable

(base in stainless steel)

Ø 95 Part. 101



Spindle measures in mm				Spindle and base in stainless steel AISI 304 Code	Max static load (N)
Ød	A	H	Wrench		
M16x2	103	60	13	101 / 83073	22000
	133	90	13	101 / 83074	
	148	105	13	101 / 83075	
	168	125	13	101 / 83076	
	198	155	13	101 / 83077	
	208	165	13	101 / 83078	
M20x2,5	248	205	13	101 / 83263	24000
	132	86	17	101 / 83079	
	162	116	17	101 / 83209	
	187	141	17	101 / 83081	
	207	161	17	101 / 88857 NEW	
M24x3	244	198	17	101 / 83082	26000
	142	96	19	101 / 83083	
	168	122	19	101 / 83084	
	198	152	19	101 / 83085	
M30x3,5	228	182	19	101 / 83086	28000
	346	300	19	101 / 83087	
	190	144	24	101 / 86220	

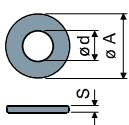
Spindle measures in inches				Spindle and base in stainless steel AISI 304 Code	Max static load (N)
Ød	A	H	Wrench		
5/8"-11 UNC	8,70"	7"	1/2"	101 / 83145	22000
3/4"-10 UNC	8,78"	7"	5/8"	101 / 83155	24000

Base material: Internal part made of reinforced polyamide; external covering made of stainless steel AISI 304; anti-slip pad made of thermoplastic rubber 68 Shore black colour.

Box quantity: 8 pieces.

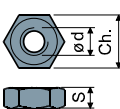
Features: Co-moulded anti-slip pad allows a perfect adherence with steel base. Consequent absence of internal cavities makes foot extremely cleanable.

Washers UNI 6592-69 - Box quantity: 24 pieces.



Ø M	M16	M20	M24	M30
S mm	3	3	4	4
Ø A mm	30	37	44	56
Stainless steel codes	7291	7292	7294	7296

Nuts UNI 5588-65 - Box quantity: 24 pieces.



Ø d	M16	M20	M24	M30
S mm	13	16	19	24
Ch. mm	24	30	36	46
Stainless steel codes	7277	7278	7280	7282

On request

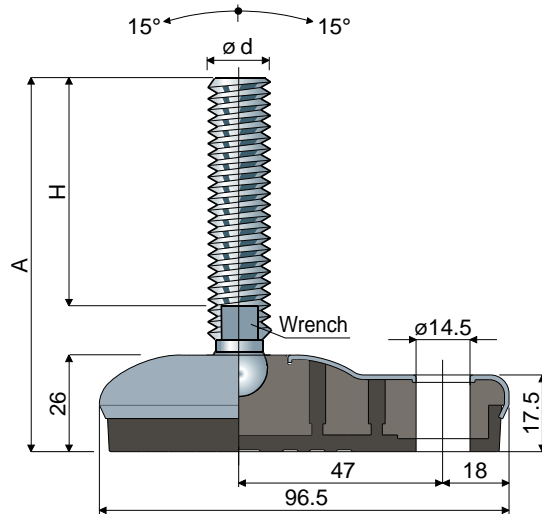
- Spindles with: Sunk hexagon head • second wrench seat head • hexagon wrench seat • threads with other pitches and lengths • stainless steel AISI 316.
- Anti-slip pads: White colour.
- Box quantity: Not standard.
- Assembling of: Nuts • washers.

Thread sizes in inches are expressed as the number of threads (UNC coarse thread) per Imperial inch

Articulated feet, sanitizable with side fixing system

(base in stainless steel)

Part. **120 65x96**



Spindle measures in mm				Spindle and base in stainless steel AISI 304		Max static load (N)
$\varnothing d$	A	H	Wrench	Code		
M8x1,25	80	45	6	120 / 84837	13000	
	100	65	6	120 / 84838		
	142	107	6	120 / 84839		
M10x1,5	71	35	8	120 / 84840	14000	
	107	70	8	120 / 84841		
	152	115	8	120 / 84842		
M12x1,75	82	43	10	120 / 84843	15000	
	102	63	10	120 / 84844		
	116	77	10	120 / 84845		
	132	93	10	120 / 84846		
	162	123	10	120 / 84847		
M14x2	102	61	12	120 / 84848	16000	
	132	91	12	120 / 84849		
	157	116	12	120 / 84850		
M16x2	103	60	13	120 / 84851	17000	
	133	90	13	120 / 84852		
	148	105	13	120 / 84853		
	168	125	13	120 / 84854		
	198	155	13	120 / 84855		
	208	165	13	120 / 84856		
	248	205	13	120 / 84857		

Spindle measures in inches				Spindle and base in stainless steel AISI 304		Max static load (N)
$\varnothing d$	A	H	Wrench	Code		
1/2"-13 UNC	5,20"	3,64"	7/16"	120 / 84862	22000	
5/8"-11 UNC	8,7"	7"	1/2"	120 / 84863	22000	
3/4"-10 UNC	8,77"	7"	5/8"	120 / 84864	24000	

Base material: Internal part made of reinforced polyamide; external covering made of stainless steel AISI 304; anti-slip pad made of thermoplastic rubber 68 Shore black colour.

Box quantity: 8 pieces.

Features: Co-moulded anti-slip pad allows a perfect adherence with steel base. Consequent absence of internal cavities makes foot extremely cleanable.

Washers UNI 6592-69 - Box quantity: 24 pieces.

$\varnothing M$	M8	M10	M12	M14	M16
Smm	1,6	2	2,5	2,5	3
$\varnothing A$ mm	17	21	24	28	30
Stainless steel codes	7637	7286	7287	7288	7291

Nuts UNI 5588-65 - Box quantity: 24 pieces.

$\varnothing d$	M8	M10	M12	M14	M16
Smm	6,5	8	10	11	13
Ch. mm	13	17	19	22	24
Stainless steel codes	7635	7272	7273	7274	7277

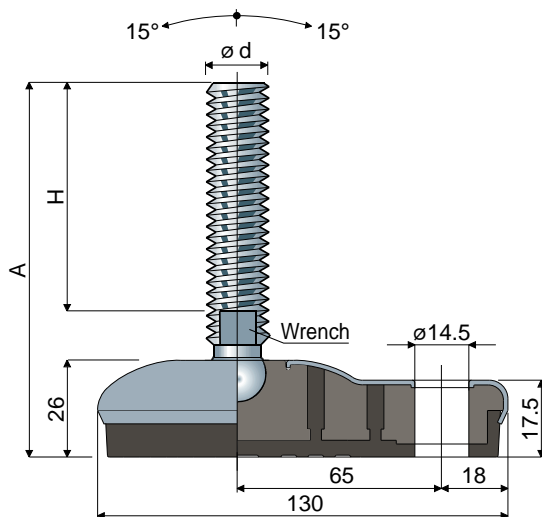
On request

- Spindles with: Sunk hexagon head • second wrench seat head • hexagon wrench seat • threads with other pitches and lengths • stainless steel AISI 316.
- Anti-slip pads: White colour.
- Box quantity: Not standard.
- Assembling of: Nuts • washers.

Thread sizes in inches are expressed as the number of threads (UNC coarse thread) per Imperial inch

Articulated feet, sanitizable with side fixing system

(base in stainless steel)



95x130 Part. **111**



Spindle measures in mm				Spindle and base in stainless steel AISI 304	Max static load (N)
ød	A	H	Wrench		
M16x2	103	60	13	111 / 83762	22000
	133	90	13	111 / 83763	
	148	105	13	111 / 83764	
	168	125	13	111 / 83765	
	198	155	13	111 / 83766	
	208	165	13	111 / 83767	
M20x2,5	248	205	13	111 / 83768	24000
	134	86	17	111 / 83769	
	164	116	17	111 / 83770	
	189	141	17	111 / 83771	
	209	161	17	111 / 88858 NEW	
M24x3	246	198	17	111 / 83772	26000
	143	96	19	111 / 83773	
	169	122	19	111 / 83774	
	199	152	19	111 / 83775	
M30x3,5	229	182	19	111 / 83776	28000
	347	300	19	111 / 83777	
	188	144	24	111 / 86219	

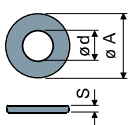
Spindle measures in inches				Spindle and base in stainless steel AISI 304	Max static load (N)
ød	A	H	Wrench		
5/8"-11 UNC	8,76"	7"	1/2"	111 / 83778	22000
3/4"-10 UNC	8,84"	7"	5/8"	111 / 83779	24000

Base material: Internal part made of reinforced polyamide; external covering made of stainless steel AISI 304; anti-slip pad made of thermoplastic rubber 68 Shore black colour.

Box quantity: 8 pieces.

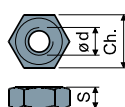
Features: Co-moulded anti-slip pad allows a perfect adherence with steel base. Consequent absence of internal cavities makes foot extremely cleanable.

Washers UNI 6592-69 - Box quantity: 24 pieces.



ø M	M16	M20	M24	M30
Smm	3	3	4	4
ø A mm	30	37	44	56
Stainless steel codes	7291	7292	7294	7296

Nuts UNI 5588-65 - Box quantity: 24 pieces.



ø d	M16	M20	M24	M30
Smm	13	16	19	24
Ch. mm	24	30	36	46
Stainless steel codes	7277	7278	7280	7282

On request

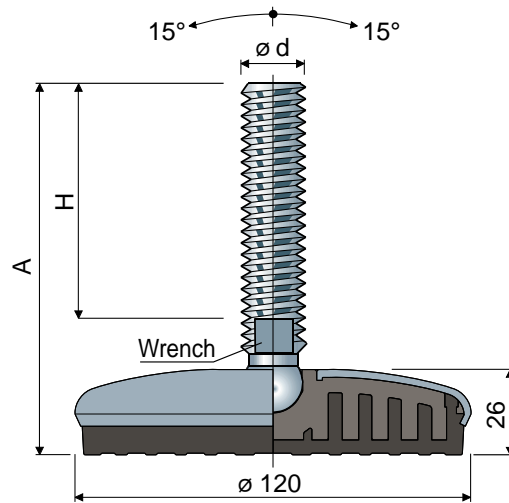
- Spindles with: Sunk hexagon head • second wrench seat head • hexagon wrench seat • threads with other pitches and lengths • stainless steel AISI 316.
- Anti-slip pads: White colour.
- Box quantity: Not standard.
- Assembling of: Nuts • washers.

Thread sizes in inches are expressed as the number of threads (UNC coarse thread) per Imperial inch

Articulated feet, sanitizable

(base in stainless steel)

Part. **109** \varnothing **120**



Spindle measures in mm				Wrench	Spindle and base in stainless steel AISI 304		Max static load (N)
$\varnothing d$	A	H	Code				
M16x2	103	60	13	109 / 83558	25000		
	133	90	13	109 / 83559			
	148	105	13	109 / 83560			
	168	125	13	109 / 83561			
	198	155	13	109 / 83562			
	208	165	13	109 / 83563			
M20x2,5	248	205	13	109 / 83564	27000		
	132	86	17	109 / 83565			
	162	116	17	109 / 83566			
	187	141	17	109 / 83567			
M24x3	207	161	17	109 / 88859 NEW	29000		
	244	198	17	109 / 83568			
	142	96	19	109 / 83569			
	168	122	19	109 / 83570			
M24x3	198	152	19	109 / 83571	29000		
	228	182	19	109 / 83572			
	346	300	19	109 / 83573			
M30x3,5	191	144	24	109 / 86218	31000		

Spindle measures in inches				Wrench	Spindle and base in stainless steel AISI 304		Max static load (N)
$\varnothing d$	A	H	Code				
5/8"-11 UNC	8,70"	7"	1/2"	109 / 83594	25000		
3/4"-10 UNC	8,78"	7"	5/8"	109 / 83595	27000		

Base material: Internal part made of reinforced polyamide; external covering made of stainless steel AISI 304; anti-slip pad made of thermoplastic rubber 68 Shore black colour.

Box quantity: 8 pieces.

Features: Co-moulded anti-slip pad allows a perfect adherence with steel base. Consequent absence of internal cavities makes foot extremely cleanable.

Washers UNI 6592-69 - Box quantity: 24 pieces.

$\varnothing M$	M16	M20	M24	M30
Smm	3	3	4	4
$\varnothing A$ mm	30	37	44	56
Stainless steel codes	7291	7292	7294	7296

Nuts UNI 5588-65 - Box quantity: 24 pieces.

$\varnothing d$	M16	M20	M24	M30
Smm	13	16	19	24
Ch. mm	24	30	36	46
Stainless steel codes	7277	7278	7280	7282

On request

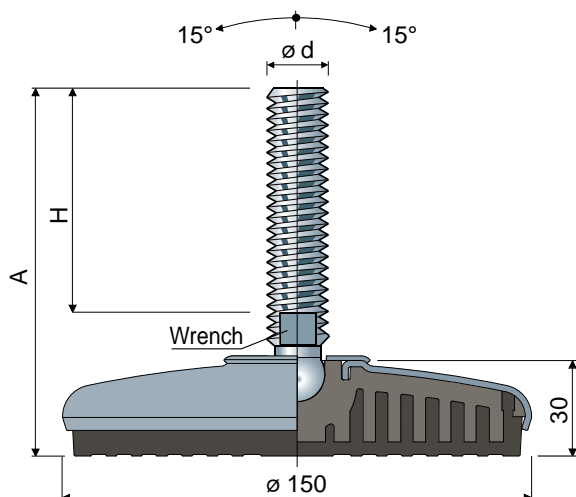
- Spindles with: Sunk hexagon head • second wrench seat head • hexagon wrench seat • threads with other pitches and lengths • stainless steel AISI 316.
- Anti-slip pads: White colour.
- Box quantity: Not standard.
- Assembling of: Nuts • washers.

Thread sizes in inches are expressed as the number of threads (UNC coarse thread) per Imperial inch

Articulated feet, sanitizable

(base in stainless steel)

Ø 150 Part. 125



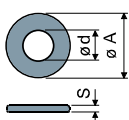
Spindle measures in mm				Spindle and base in stainless steel AISI 304 Code	Max static load (N)
ø d	A	H	Wrench		
M20x2,5	137	86	17	125 / 86006	33000
	167	116	17	125 / 86007	
	192	141	17	125 / 86008	
	212	161	17	125 / 88860 NEW	
	249	198	17	125 / 86009	
M24x3	147	96	19	125 / 86011	35000
	173	122	19	125 / 86012	
	203	152	19	125 / 86013	
	233	182	19	125 / 86014	
M30x3,5	351	300	19	125 / 86015	38000
	195	144	24	125 / 86020	

Base material: Internal part made of reinforced polyamide; external covering made of stainless steel AISI 304; anti-slip pad made of thermoplastic rubber 68 Shore black colour.

Box quantity: 8 pieces.

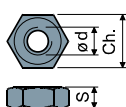
Features: Co-moulded anti-slip pad allows a perfect adherence with steel base. Consequent absence of internal cavities makes foot extremely cleanable.

Washers UNI 6592-69 - Box quantity: 24 pieces.



ø M	M20	M24	M30
Smm	3	4	4
ø A mm	37	44	56
Stainless steel codes	7292	7294	7296

Nuts UNI 5588-65 - Box quantity: 24 pieces.



ø d	M20	M24	M30
Smm	16	19	24
Ch. mm	30	36	46
Stainless steel codes	7278	7280	7282

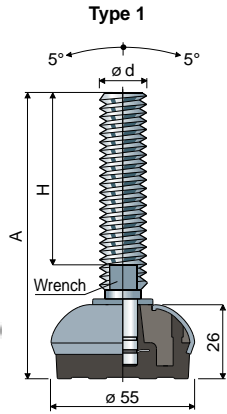
On request

- Spindles with: Sunk hexagon head • second wrench seat head • hexagon wrench seat • threads with other pitches and lengths • stainless steel AISI 316.
- Anti-slip pads: White colour.
- Box quantity: Not standard.
- Assembling of: Nuts • washers.

Adjustable feet, sanitizable

(base in stainless steel)

Part. **114** \varnothing **55**



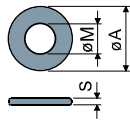
Base material: Internal part made of reinforced polyamide; external covering made of stainless steel AISI 304; anti-slip pad made of thermoplastic rubber 68 Shore black, white or blue Ral 5005 colour.

Box quantity: 8 pieces.

Features: Co-moulded anti-slip pad allows a perfect adherence with steel base. Consequent absence of internal cavities makes foot extremely cleanable. The threaded insert guarantees the protection of the spindle thread. Feet with M12 spindle diameter are supplied with hexagonal adjustment for 17 mm. wrench.

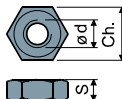
Type 1								
Spindle measures in mm				Spindle and base in stainless steel AISI 304				
$\varnothing d$	A	H	Wrench	Black anti-slip pad Code	White anti-slip pad Code	Blue Ral 5005 anti-slip pad Code	Max static load (N)	
M12x1,75	110	70	17	114 / 83802	114 / 85874	114 / 88141	15000	
M14x2	148	108	12	114 / 83803	114 / 85875	114 / 88142		
	102	58	13	114 / 83804	114 / 85876	114 / 88143		
	133	89	13	114 / 89322 NEW	114 / 89324 NEW	114 / 89326 NEW		
M16x2	163	119	13	114 / 83805	114 / 85877	114 / 88144		
	189	145	13	114 / 83806	114 / 85878	114 / 88145		
	245	201	13	114 / 83807	114 / 85879	114 / 88146		
M18x2,5	201	156	15	114 / 83808	114 / 85880	114 / 88147		
	133	89	17	114 / 87337	114 / 87338	114 / 88148		
	151	107	17	114 / 83809	114 / 85881	114 / 88149		
M20x2,5	180	136	17	114 / 83810	114 / 85882	114 / 88150		20000
	201	157	17	114 / 83811	114 / 85883	114 / 88151		
	234	190	17	114 / 83812	114 / 85884	114 / 88152		
M24x3	282	238	17	114 / 83813	114 / 85885	114 / 88153		
	139	90	13	114 / 83814	114 / 85886	114 / 88154		
	176	127	13	114 / 83815	114 / 85887	114 / 88155		
M30x3,5	211	162	13	114 / 83816	114 / 85888	114 / 88156		
	250	201	13	114 / 83817	114 / 85889	114 / 88157		
M30x3,5	174	125	13	114 / 83818	114 / 85890	114 / 88158		
	234	185	13	114 / 83819	114 / 85891	114 / 88159		

Washers UNI 6592-69 - Box quantity: 24 pieces.



$\varnothing M$	M12	M14	M16	M20	M24	M30
Smm	2,5	2,5	3	3	4	4
$\varnothing A$ mm	24	28	30	37	44	56
Stainless steel codes	7287	7288	7291	7292	7294	7296

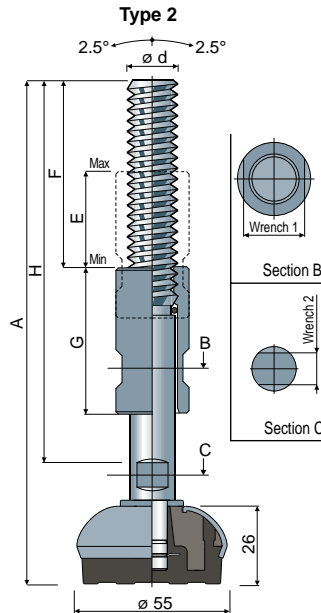
Nuts UNI 5588-65 - Box quantity: 24 pieces.



$\varnothing d$	M12	M14	M16	M20	M24	M30
Smm	10	11	13	16	19	24
Ch. mm	19	22	24	30	36	46
Stainless steel codes	7273	7274	7277	7278	7280	7282

On request

- Spindles with: Sunk hexagon head • second wrench seat head • hexagon wrench seat • threads with other pitches and lengths • stainless steel AISI 316.
- **Box quantity:** Not standard.
- **Assembling of:** Nuts • washers.



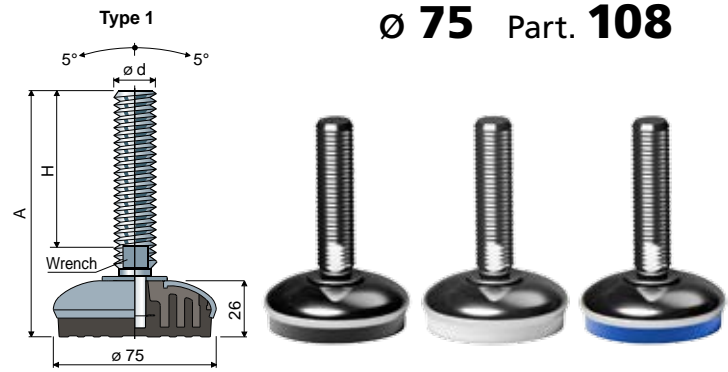
Type 2											
Spindle measures in mm						Spindle and base in stainless steel AISI 304					
$\varnothing d$	A	H	F	E	G	Wrench 1	Wrench 2	Black anti-slip pad Code	White anti-slip pad Code	Blue Ral 5005 anti-slip pad Code	Max static load (N)
M16x2	200	159	73	39	60	22	12	114 / 88008	114 / 88010	114 / 88160	20000
	260	220	100	78	100	22	12	114 / 88009	114 / 88011	114 / 88161	
M20x2,5	200	159	73	39	60	25	13	114 / 85164	114 / 85892	114 / 88162	
	260	220	100	78	100	25	13	114 / 85165	114 / 85893	114 / 88163	
M24x3	200	159	73	39	60	30	17	114 / 88012	114 / 88014	114 / 88164	
	260	220	100	78	100	30	17	114 / 88013	114 / 88015	114 / 88165	

Adjustable feet, sanitizable

(base in stainless steel)

Ø 75 Part. 108

		Type 1						
Spindle measures in mm			Spindle and base in stainless steel AISI 304					
ød	A	H	Wrench	Black anti-slip pad	White anti-slip pad	Blue Ral 5005 anti-slip pad	Max static load (N)	
				Code	Code	Code		
M12x1,75	109	70	17	108 / 83540	108 / 85894	108 / 88166	17000	
M14x2	148	108	12	108 / 83541	108 / 85895	108 / 88167		
	102	58	13	108 / 83542	108 / 85896	108 / 88168		
	133	89	13	108 / 89328 NEW	108 / 89329 NEW	108 / 89330 NEW		
M16x2	163	119	13	108 / 83543	108 / 85897	108 / 88169		
	189	145	13	108 / 83544	108 / 85898	108 / 88170		
	245	201	13	108 / 83545	108 / 85899	108 / 88171		
M18x2,5	201	157	15	108 / 83546	108 / 85900	108 / 88172		
	135	89	17	108 / 87335	108 / 87336	108 / 88173		
	153	107	17	108 / 83547	108 / 85901	108 / 88174		
M20x2,5	182	136	17	108 / 83548	108 / 85902	108 / 88175	24000	
	203	157	17	108 / 83549	108 / 85903	108 / 88176		
	236	190	17	108 / 83550	108 / 85904	108 / 88177		
	284	238	17	108 / 83551	108 / 85905	108 / 88178		
M24x3	139	90	19	108 / 83552	108 / 85906	108 / 88179		
	176	127	19	108 / 83553	108 / 85907	108 / 88180		
	211	162	19	108 / 83554	108 / 85908	108 / 88181		
M24x3	250	201	19	108 / 83555	108 / 85909	108 / 88182		
	174	125	24	108 / 83556	108 / 85910	108 / 88183		
M30x3,5	234	185	24	108 / 83557	108 / 85911	108 / 88184		

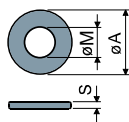


Base material: Internal part made of reinforced polyamide; external covering made of stainless steel AISI 304; anti-slip pad made of thermoplastic rubber 68 Shore black, white or blue Ral 5005 colour.

Box quantity: 8 pieces.

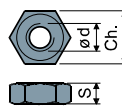
Features: Co-moulded anti-slip pad allows a perfect adherence with steel base. Consequent absence of internal cavities makes foot extremely cleanable. The threaded insert guarantees the protection of the spindle thread. Feet with M12 spindle diameter are supplied with hexagonal adjustment for 17 mm. wrench.

Washers UNI 6592-69 - Box quantity: 24 pieces.



ø M	M12	M14	M16	M20	M24	M30
Smm	2,5	2,5	3	3	4	4
ø A mm	24	28	30	37	44	56
Stainless steel codes	7287	7288	7291	7292	7294	7296

Nuts UNI 5588-65 - Box quantity: 24 pieces.

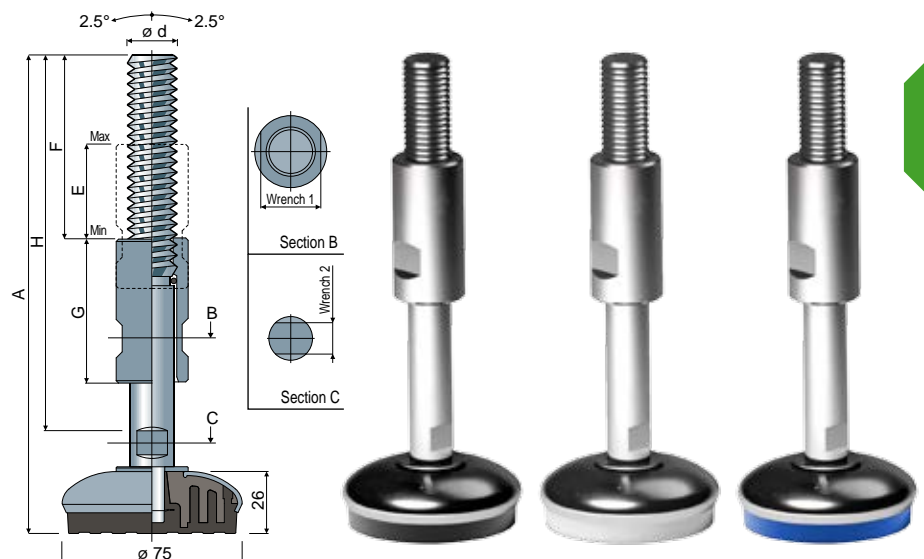


ø d	M12	M14	M16	M20	M24	M30
Smm	10	11	13	16	19	24
Ch. mm	19	22	24	30	36	46
Stainless steel codes	7273	7274	7277	7278	7280	7282

On request

- Spindles with: Sunk hexagon head • second wrench seat head • hexagon wrench seat • threads with other pitches and lengths • stainless steel AISI 316.
- Box quantity: Not standard.
- Assembling of: Nuts • washers.

Type 2

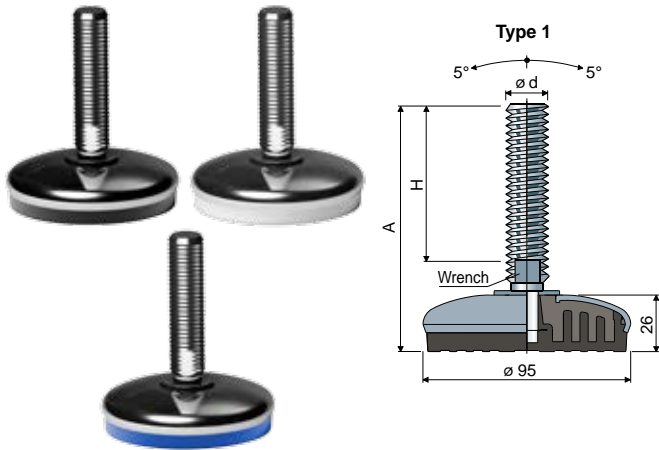


		Type 2									
Spindle measures in mm					Spindle and base in stainless steel AISI 304						
ød	A	H	F	E	G	Wrench 1	Wrench 2	Black anti-slip pad	White anti-slip pad	Blue Ral 5005 anti-slip pad	Max static load (N)
								Code	Code	Code	
M16x2	200	159	73	39	60	22	12	108 / 88016	108 / 88018	108 / 88185	
	260	220	100	78	100	22	12	108 / 88017	108 / 88019	108 / 88186	
M20x2,5	200	159	73	39	60	25	13	108 / 84134	108 / 85912	108 / 88187	24000
	260	220	100	78	100	25	13	108 / 84190	108 / 85913	108 / 88188	
M24x3	200	159	73	39	60	30	17	108 / 88020	108 / 88022	108 / 88189	
	260	220	100	78	100	30	17	108 / 88021	108 / 88023	108 / 88190	

Adjustable feet, sanitizable

(base in stainless steel)

Part. **103** \varnothing **95**



Base material: Internal part made of reinforced polyamide; external covering made of stainless steel AISI 304; anti-slip pad made of thermoplastic rubber 68 Shore black, white or blue Ral 5005 colour.

Box quantity: 8 pieces.

Features: Co-moulded anti-slip pad allows a perfect adherence with steel base. Consequent absence of internal cavities makes foot extremely cleanable. The threaded insert guarantees the protection of the spindle thread. Feet with M12 spindle diameter are supplied with hexagonal adjustment for 17 mm. wrench.

Type 1										
Spindle measures in mm					Spindle and base in stainless steel AISI 304					
ød	A	H	Wrench	Black	White	Blue Ral 5005	Max			
				anti-slip pad	anti-slip pad	anti-slip pad				static load
				Code	Code	Code	(N)			
M12x1,75	109	70	17	103 / 83043	103 / 85854	103 / 88191	17000			
M14x2	148	108	12	103 / 83052	103 / 83637	103 / 88192				
	102	58	13	103 / 83053	103 / 85856	103 / 88193				
	133	89	13	103 / 89331 NEW	103 / 89332 NEW	103 / 89333 NEW				
M16x2	163	119	13	103 / 83054	103 / 83651	103 / 88194				
	189	145	13	103 / 83055	103 / 85858	103 / 88195				
	245	201	13	103 / 83056	103 / 85859	103 / 88196				
M18x2,5	201	157	15	103 / 83057	103 / 85860	103 / 88197				
	135	89	17	103 / 87339	103 / 87340	103 / 88198				
	153	107	17	103 / 83058	103 / 85861	103 / 88199				
M20x2,5	182	136	17	103 / 83059	103 / 83627	103 / 88200		27000		
	203	157	17	103 / 83060	103 / 85862	103 / 88201				
	236	190	17	103 / 83061	103 / 85863	103 / 88202				
M24x3	284	238	17	103 / 83062	103 / 85864	103 / 88203				
	139	90	19	103 / 83063	103 / 85865	103 / 88204				
	176	127	19	103 / 83064	103 / 85866	103 / 88205				
M30x3,5	211	162	19	103 / 83065	103 / 85867	103 / 88206				
	250	201	19	103 / 83066	103 / 85868	103 / 88207				
M30x3,5	174	125	24	103 / 83067	103 / 85869	103 / 88208				
	234	185	24	103 / 83068	103 / 85870	103 / 88209				

Washers UNI 6592-69 - Box quantity: 24 pieces.

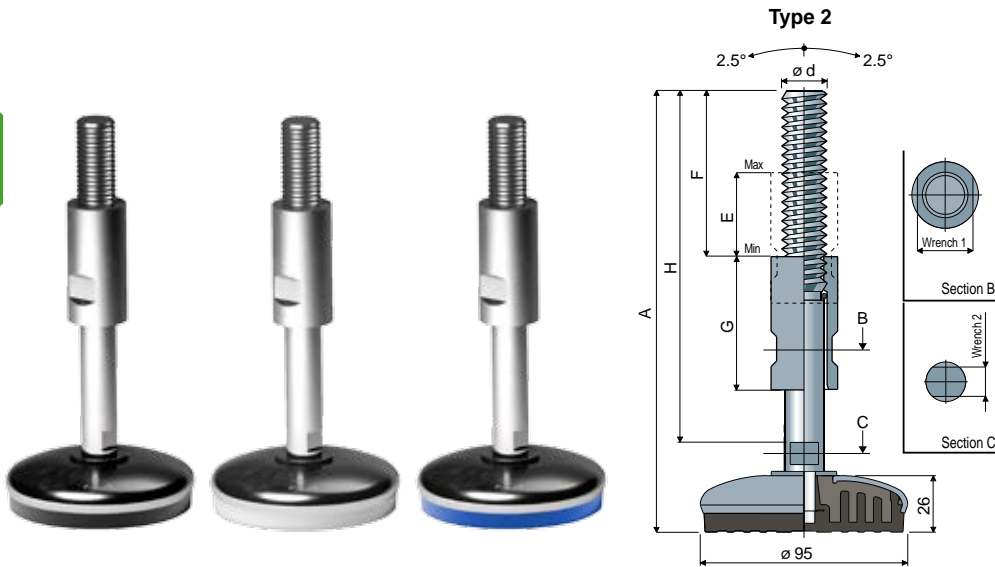
ø M	M12	M14	M16	M20	M24	M30
Smm	2,5	2,5	3	3	4	4
ø A mm	24	28	30	37	44	56
Stainless steel codes	7287	7288	7291	7292	7294	7296

Nuts UNI 5588-65 - Box quantity: 24 pieces.

ø d	M12	M14	M16	M20	M24	M30
Smm	10	11	13	16	19	24
Ch. mm	19	22	24	30	36	46
Stainless steel codes	7273	7274	7277	7278	7280	7282

On request

- Spindles with: Sunk hexagon head • second wrench seat head • hexagon wrench seat • threads with other pitches and lengths • stainless steel AISI 316.
- Box quantity: Not standard.
- Assembling of: Nuts • washers.



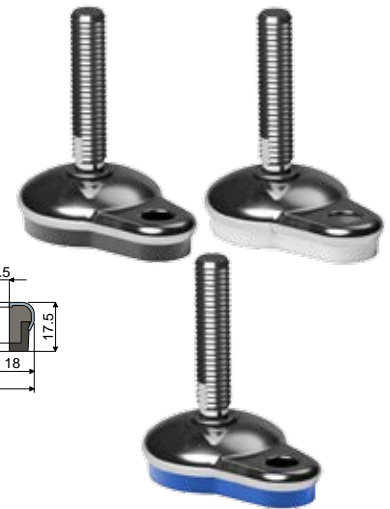
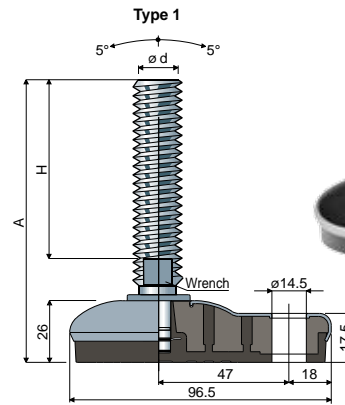
Type 2											
Spindle measures in mm						Spindle and base in stainless steel AISI 304					
ød	A	H	F	E	G	Wrench 1	Wrench 2	Black	White	Blue Ral 5005	Max
								anti-slip pad	anti-slip pad	anti-slip pad	
							Code	Code	Code	(N)	
M16x2	200	159	73	39	60	22	12	103 / 88024	103 / 88026	103 / 88210	27000
	260	220	100	78	100	22	12	103 / 88025	103 / 88027	103 / 88211	
M20x2,5	200	159	73	39	60	25	13	103 / 83465	103 / 85872	103 / 88212	
	260	220	100	78	100	25	13	103 / 84191	103 / 85873	103 / 88213	
M24x3	200	159	73	39	60	30	17	103 / 88028	103 / 88030	103 / 88214	
	260	220	100	78	100	30	17	103 / 88029	103 / 88031	103 / 88215	

Adjustable feet, sanitizable with side fixing system

(base in stainless steel)

65x96 Part. 119

Type 1							
Spindle measures in mm				Spindle and base in stainless steel AISI 304			
ød	A	H	Wrench	Black	White	Blue Ral 5005	Max static load (N)
				anti-slip pad	anti-slip pad	anti-slip pad	
				Code	Code	Code	
M12x1,75	110	70	17	119 / 84819	119 / 85914	119 / 88216	17000
M14x2	148	108	12	119 / 84820	119 / 85915	119 / 88217	
M16x2	102	58	13	119 / 84821	119 / 85916	119 / 88218	22000
	133	89	13	119 / 89334 NEW	119 / 89335 NEW	119 / 89336 NEW	
	163	119	13	119 / 84822	119 / 85917	119 / 88219	
M18x2,5	189	145	13	119 / 84823	119 / 85918	119 / 88220	22000
	245	201	13	119 / 84824	119 / 85919	119 / 88221	
	201	157	15	119 / 84825	119 / 85920	119 / 88222	
M20x2,5	133	89	17	119 / 87347	119 / 87348	119 / 88223	22000
	151	107	17	119 / 84826	119 / 85921	119 / 88224	
	180	136	17	119 / 84827	119 / 85922	119 / 88225	
M20x2,5	201	157	17	119 / 84828	119 / 85923	119 / 88226	22000
	234	190	17	119 / 84829	119 / 85924	119 / 88227	
	282	238	17	119 / 84830	119 / 85925	119 / 88228	

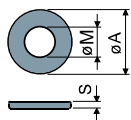


Base material: Internal part made of reinforced polyamide; external covering made of stainless steel AISI 304; anti-slip pad made of thermoplastic rubber 68 Shore black, white or blue Ral 5005 colour.

Box quantity: 8 pieces.

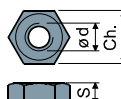
Features: Co-moulded anti-slip pad allows a perfect adherence with steel base. Consequent absence of internal cavities makes foot extremely cleanable. The threaded insert guarantees the protection of the spindle thread. Feet with M12 spindle diameter are supplied with hexagonal adjustment for 17 mm. wrench.

Washers UNI 6592-69 - Box quantity: 24 pieces.



ø M	M12	M14	M16	M20	M24	M30
Smm	2,5	2,5	3	3	4	4
ø A mm	24	28	30	37	44	56
Stainless steel codes	7287	7288	7291	7292	7294	7296

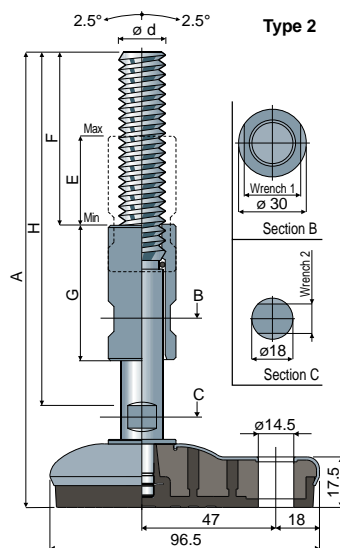
Nuts UNI 5588-65 - Box quantity: 24 pieces.



ø d	M12	M14	M16	M20	M24	M30
Smm	10	11	13	16	19	24
Ch. mm	19	22	24	30	36	46
Stainless steel codes	7273	7274	7277	7278	7280	7282

On request

- Spindles with: Sunk hexagon head • second wrench seat head • hexagon wrench seat • threads with other pitches and lengths • stainless steel AISI 316.
- Box quantity: Not standard.
- Assembling of: Nuts • washers.

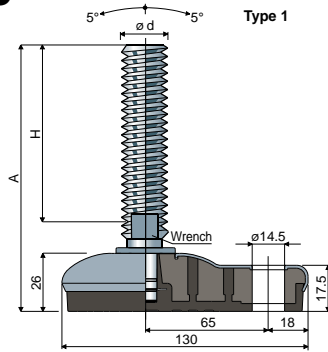


Type 2											
Spindle measures in mm					Spindle and base in stainless steel AISI 304						
ød	A	H	F	E	G	Wrench 1	Wrench 2	Black	White	Blue Ral 5005	Max static load (N)
								anti-slip pad	anti-slip pad	anti-slip pad	
								Code	Code	Code	
M16x2	200	159	73	39	60	22	12	119 / 88032	119 / 88034	119 / 88229	22000
	260	220	100	78	100	22	12	119 / 88033	119 / 88035	119 / 88230	
M20x2,5	200	159	73	39	60	25	13	119 / 85088	119 / 85926	119 / 88231	22000
	260	220	100	78	100	25	13	119 / 85089	119 / 85927	119 / 88232	
M24x3	200	159	73	39	60	30	17	119 / 88036	119 / 88038	119 / 88233	22000
	260	220	100	78	100	30	17	119 / 88037	119 / 88039	119 / 88234	

Adjustable feet, sanitizable with side fixing system

(base in stainless steel)

Part. 112 95x130



Type 1

Type 1							
Spindle measures in mm				Spindle and base in stainless steel AISI 304			
$\varnothing d$	A	H	Wrench	Black anti-slip pad	White anti-slip pad	Blue Ral 5005 anti-slip pad	Max static load (N)
				Code	Code	Code	
M12x1,75	111	70	17	112 / 83744	112 / 85928	112 / 88235	17000
M14x2	150	108	12	112 / 83745	112 / 85929	112 / 88236	
M16x2	103	58	13	112 / 83746	112 / 85930	112 / 88237	27000
	134	89	13	112 / 89337 NEW	112 / 89338 NEW	112 / 89339 NEW	
	164	119	13	112 / 83747	112 / 85931	112 / 88238	
	190	145	13	112 / 83748	112 / 85932	112 / 88239	
M18x2,5	246	201	13	112 / 83749	112 / 85933	112 / 88240	27000
	136	89	17	112 / 87341	112 / 87342	112 / 88242	
	154	107	17	112 / 83751	112 / 85935	112 / 88243	
	183	136	17	112 / 83752	112 / 84222	112 / 88244	
M20x2,5	204	157	17	112 / 83753	112 / 85936	112 / 88245	27000
	237	190	17	112 / 83754	112 / 85937	112 / 88246	
	285	238	17	112 / 83755	112 / 85938	112 / 88247	
	141	90	19	112 / 83756	112 / 85939	112 / 88248	
M24x3	178	127	19	112 / 83757	112 / 85940	112 / 88249	27000
	213	162	19	112 / 83758	112 / 85941	112 / 88250	
	252	201	19	112 / 83759	112 / 85942	112 / 88251	
	176	125	24	112 / 83760	112 / 85943	112 / 88252	
M30x3,5	236	185	24	112 / 83761	112 / 84223	112 / 88253	

Base material: Internal part made of reinforced polyamide; external covering made of stainless steel AISI 304; anti-slip pad made of thermoplastic rubber 68 Shore black, white or blue Ral 5005 colour.

Box quantity: 8 pieces.

Features: Co-moulded anti-slip pad allows a perfect adherence with steel base. Consequent absence of internal cavities makes foot extremely cleanable. The threaded insert guarantees the protection of the spindle thread. Feet with M12 spindle diameter are supplied with hexagonal adjustment for 17 mm. wrench.

Washers UNI 6592-69 - Box quantity: 24 pieces.

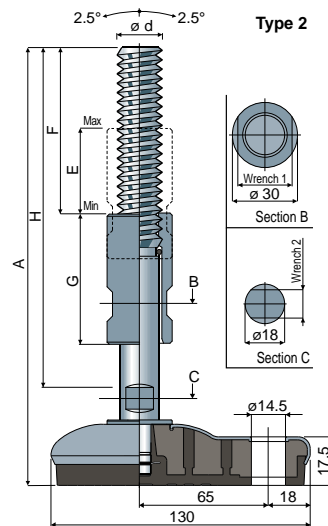
$\varnothing M$	M12	M14	M16	M20	M24	M30
Smm	2,5	2,5	3	3	4	4
$\varnothing A$ mm	24	28	30	37	44	56
Stainless steel codes	7287	7288	7291	7292	7294	7296

Nuts UNI 5588-65 - Box quantity: 24 pieces.

$\varnothing d$	M12	M14	M16	M20	M24	M30
Smm	10	11	13	16	19	24
Ch. mm	19	22	24	30	36	46
Stainless steel codes	7273	7274	7277	7278	7280	7282

On request

- Spindles with: Sunk hexagon head • second wrench seat head • hexagon wrench seat • threads with other pitches and lengths • stainless steel AISI 316.
- Box quantity: Not standard.
- Assembling of: Nuts • washers.



Type 2

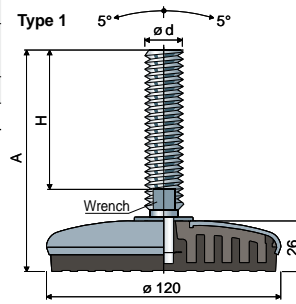
Type 2											
Spindle measures in mm				Spindle and base in stainless steel AISI 304							
$\varnothing d$	A	H	F	E	G	Wrench 1	Wrench 2	Black anti-slip pad	White anti-slip pad	Blue Ral 5005 anti-slip pad	Max static load (N)
								Code	Code	Code	
M16x2	200	159	73	39	60	22	12	112 / 88040	112 / 88042	112 / 88254	27000
	260	220	100	78	100	22	12	112 / 88041	112 / 88043	112 / 88255	
M20x2,5	200	159	73	39	60	25	13	112 / 84135	112 / 85944	112 / 88256	27000
	260	220	100	78	100	25	13	112 / 84193	112 / 85945	112 / 88257	
M24x3	200	159	73	39	60	30	17	112 / 88044	112 / 88046	112 / 88258	27000
	260	220	100	78	100	30	17	112 / 88045	112 / 88047	112 / 88259	

Adjustable feet, sanitizable

(base in stainless steel)

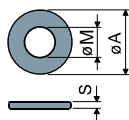
∅ 120 Part. 110

Type 1				Spindle and base in stainless steel AISI 304			
∅d	A	H	Wrench	Black anti-slip pad	White anti-slip pad	Blue Ral 5005 anti-slip pad	Max static load (N)
				Code	Code	Code	
M12x1,75	109	70	17	110 / 83574	110 / 85949	110 / 88260	17000
M14x2	148	108	12	110 / 83575	110 / 85950	110 / 88261	
M16x2	102	58	13	110 / 83576	110 / 85951	110 / 88262	30000
	133	89	13	110 / 89340 NEW	110 / 89341 NEW	110 / 89342 NEW	
	163	119	13	110 / 83577	110 / 85952	110 / 88263	
	189	145	13	110 / 83578	110 / 85953	110 / 88264	
M18x2,5	245	201	13	110 / 83579	110 / 85954	110 / 88265	30000
	201	157	15	110 / 83580	110 / 85955	110 / 88266	
	135	89	17	110 / 87343	110 / 87344	110 / 88267	
	153	107	17	110 / 83581	110 / 85956	110 / 88268	
M20x2,5	182	136	17	110 / 83582	110 / 85957	110 / 88269	30000
	203	157	17	110 / 83583	110 / 85958	110 / 88270	
	236	190	17	110 / 83584	110 / 85959	110 / 88271	
	284	238	17	110 / 83585	110 / 85960	110 / 88272	
M24x3	139	90	19	110 / 83586	110 / 85961	110 / 88273	30000
	176	127	19	110 / 83587	110 / 85962	110 / 88274	
	211	162	19	110 / 83588	110 / 85963	110 / 88275	
	250	201	19	110 / 83589	110 / 85964	110 / 88276	
M30x3,5	174	125	24	110 / 83590	110 / 85965	110 / 88277	30000
	234	185	24	110 / 83591	110 / 85966	110 / 88278	



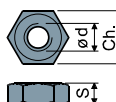
Base material: Internal part made of reinforced polyamide; external covering made of stainless steel AISI 304; anti-slip pad made of thermoplastic rubber 68 Shore black, white or blue Ral 5005 colour.
Box quantity: 8 pieces.
Features: Co-moulded anti-slip pad allows a perfect adherence with steel base. Consequent absence of internal cavities makes foot extremely cleanable. The threaded insert guarantees the protection of the spindle thread. Feet with M12 spindle diameter are supplied with hexagonal adjustment for 17 mm. wrench.

Washers UNI 6592-69 - Box quantity: 24 pieces.



∅M	M12	M14	M16	M20	M24	M30
Smm	2,5	2,5	3	3	4	4
∅Amm	24	28	30	37	44	56
Stainless steel codes	7287	7288	7291	7292	7294	7296

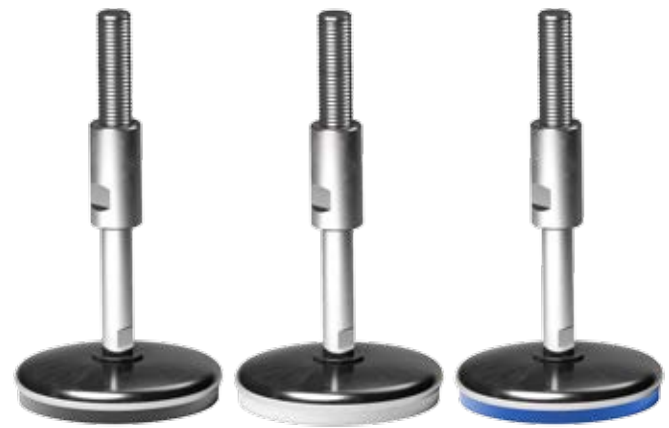
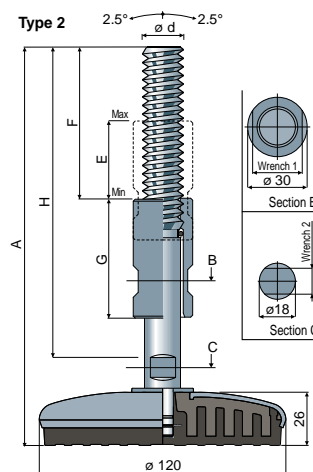
Nuts UNI 5588-65 - Box quantity: 24 pieces.



∅ d	M12	M14	M16	M20	M24	M30
Smm	10	11	13	16	19	24
Ch. mm	19	22	24	30	36	46
Stainless steel codes	7273	7274	7277	7278	7280	7282

On request

- Spindles with: Sunk hexagon head • second wrench seat head • hexagon wrench seat • threads with other pitches and lengths • stainless steel AISI 316.
- Box quantity: Not standard.
- Assembling of: Nuts • washers.

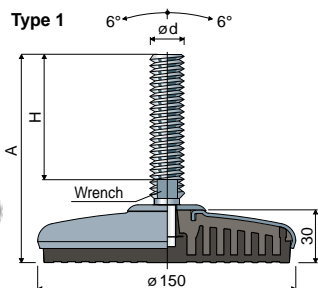


Type 2								Spindle and base in stainless steel AISI 304			
∅d	Spindle measures in mm					Wrench 1	Wrench 2	Black anti-slip pad	White anti-slip pad	Blue Ral 5005 anti-slip pad	Max static load (N)
	A	H	F	E	G			Code	Code	Code	
M16x2	200	159	73	39	60	22	12	110 / 88048	110 / 88050	110 / 88279	30000
	260	220	100	78	100	22	12	110 / 88049	110 / 88051	110 / 88280	
M20x2,5	200	159	73	39	60	25	13	110 / 84136	110 / 85967	110 / 88281	
	260	220	100	78	100	25	13	110 / 84195	110 / 85968	110 / 88282	
M24x3	200	159	73	39	60	30	17	110 / 88052	110 / 88054	110 / 88283	
	260	220	100	78	100	30	17	110 / 88053	110 / 88055	110 / 88284	

Adjustable feet, sanitizable

(base in stainless steel)

Part. **126** \varnothing **150**



		Type 1						
		Spindle measures in mm			Spindle and base in stainless steel AISI 304			
$\varnothing d$	A	H	Wrench	Black	White	Blue Ral 5005	Max static load (N)	
				anti-slip pad	anti-slip pad	anti-slip pad		
				Code	Code	Code		
M20x2,5	139	89	17	126 / 87345	126 / 87346	126 / 88285	40000	
	157	107	17	126 / 86037	126 / 86042	126 / 88286		
	186	136	17	126 / 86038	126 / 86043	126 / 88287		
	207	157	17	126 / 86039	126 / 86044	126 / 88288		
240	190	17	126 / 86040	126 / 86045	126 / 88289			
288	238	17	126 / 86041	126 / 86046	126 / 88290			
M24x3	145	90	19	126 / 86052	126 / 86056	126 / 88291		
	182	127	19	126 / 86053	126 / 86057	126 / 88292		
	217	162	19	126 / 86054	126 / 86058	126 / 88293		
M30x3,5	257	202	19	126 / 86055	126 / 86059	126 / 88294		
	172	125	24	126 / 86060	126 / 86062	126 / 88295		
	232	185	24	126 / 86061	126 / 86063	126 / 88296		

Base material: Internal part made of reinforced polyamide; external covering made of stainless steel AISI 304; anti-slip pad made of thermoplastic rubber 68 Shore black, white or blue Ral 5005 colour.

Box quantity: 8 pieces.

Features: Co-moulded anti-slip pad allows a perfect adherence with steel base. Consequent absence of internal cavities makes foot extremely cleanable. The threaded insert guarantees the protection of the spindle thread.

Washers UNI 6592-69 - Box quantity: 24 pieces.

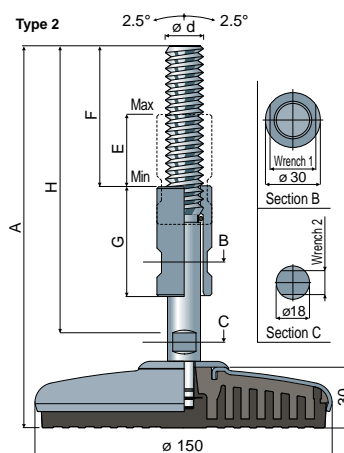
$\varnothing M$	M20	M24	M30
Smm	3	4	4
$\varnothing A$ mm	37	44	56
Stainless steel codes	7292	7294	7296

Nuts UNI 5588-65 - Box quantity: 24 pieces.

$\varnothing d$	M20	M24	M30
Smm	16	19	24
Ch. mm	30	36	46
Stainless steel codes	7278	7280	7282

On request

- Spindles with: Sunk hexagon head • second wrench seat head • hexagon wrench seat • threads with other pitches and lengths • stainless steel AISI 316.
- Box quantity: Not standard.
- Assembling of: Nuts • washers.

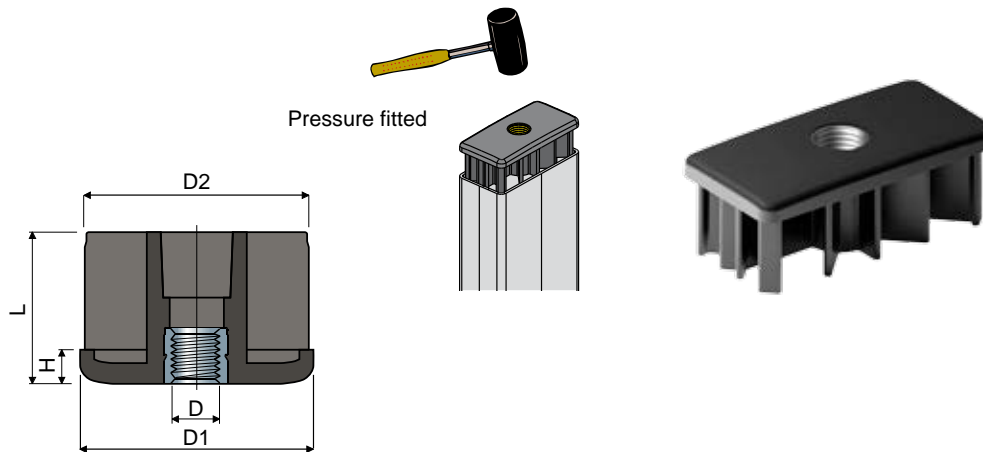


		Type 2										
		Spindle measures in mm			Spindle and base in stainless steel AISI 304							
$\varnothing d$	A	H	F	E	G	Wrench 1	Wrench 2	Black	White	Blue Ral 5005	Max static load (N)	
								anti-slip pad	anti-slip pad	anti-slip pad		
				Code	Code	Code						
M16x2	204	159	73	39	60	22	12	126 / 88056	126 / 88058	126 / 88297	40000	
	264	220	100	78	100	22	12	126 / 88057	126 / 88059	126 / 88298		
M20x2,5	204	159	73	39	60	25	13	126 / 86047	126 / 86049	126 / 88299		
	264	220	100	78	100	25	13	126 / 86048	126 / 86050	126 / 88300		
M24x3	204	159	73	39	60	30	17	126 / 88060	126 / 88062	126 / 88301		
	264	220	100	78	100	30	17	126 / 88061	126 / 88063	126 / 88302		

Threaded bushings

(for rectangular tubes)

Part. **82**



Tube dimensions			Thread	D1 (mm)	D2 (mm)	H (mm)	L (mm)	Code	Max static load (N)
Outside (mm)	Thickness (mm)	Inside (mm)							
20x50	2	16x46	M8	20x50	16x46	5	38	82 / 80325	4500
30x60	2,5	25x55	M8	30x60	25x55	8	38	82 / 82173	4500
			M10	30x60	25x55	8	38	82 / 82175	5000
			M12	30x60	25x55	8	38	82 / 82176	5500
			M14	30x60	25x55	8	38	82 / 82177	6000
40x60	2	36x56	M16	30x60	25x55	8	38	82 / 82174	6500
			M14	40x60	36x56	10	45	82 / 85141	8500
			M16	40x60	36x56	10	45	82 / 84309	9000
40x80	1,5	37x77	M20	40x60	36x56	10	45	82 / 84311	9500
			M14	40x80	37x77	10	45	82 / 82973	8500
			M16	40x80	37x77	10	45	82 / 82975	9000
	2	36x76	M20	40x80	37x77	10	45	82 / 82977	9500
			M14	40x80	36x76	10	45	82 / 82180	8500
			M16	40x80	36x76	10	45	82 / 80326	9000
3	34x74	M20	40x80	36x76	10	45	82 / 80327	9500	
		M14	40x80	34x74	10	45	82 / 82590	8500	
		M16	40x80	34x74	10	45	82 / 82516	9000	
50x100	2	46x96	M20	40x80	34x74	10	45	82 / 82591	9500
			M14	50x100	46x96	10	45	82 / 82181	8500
			M16	50x100	46x96	10	45	82 / 80693	9000
	3	44x94	M20	50x100	46x96	10	45	82 / 80694	9500
			M14	50x100	44x94	10	45	82 / 82182	9000
			M16	50x100	44x94	10	45	82 / 82178	9500
50x150	3	44x144	M20	50x100	44x94	10	45	82 / 82179	10000
			M14	50x150	44x144	10	45	82 / 82183	9000
			M16	50x150	44x144	10	45	82 / 80211	9500
60x120	3	54x114	M20	50x150	44x144	10	45	82 / 80212	10000
			M14	60x120	54x114	10	45	82 / 82184	9000
			M16	60x120	54x114	10	45	82 / 80209	9500
			M20	60x120	54x114	10	45	82 / 80210	10000

Materials: Bushing in reinforced polyamide black colour; threaded insert in nickel plated brass.

Box quantity: 24 pieces.

On request

- **Bushings:** Can be supplied with thread in inches (1/4"-20, 5/16"-18, 3/8"-16, 1/2"-13, 5/8"-11, 3/4"-10, 1"-8, etc.); With different thicknesses and colours.
- **Box quantity:** According to your request.

Threaded bushings (for round tubes)

Part. **64**

Tube dimensions		Thickness (mm)	Inside ø (mm)	Thread D	D1 (mm)	D2 (mm)	H (mm)	L (mm)	Code	Max static load (N)	
Outside ø (mm)	(GAS inches)										
48,3	1 1/2	1,2	45,8	M14	48,3	45,8	10	45	64 / 85522	8500	
				M16	48,3	45,8	10	45	64 / 85520	9000	
				M8	48,3	45,3	10	45	64 / 7930	7000	
				M10	48,3	45,3	10	45	64 / 7614	7500	
				M12	48,3	45,3	10	45	64 / 7219	8000	
				M14	48,3	45,3	10	45	64 / 7220	8500	
		1,5	45,3	M16	48,3	45,3	10	45	64 / 7221	9000	
				M20	48,3	45,3	10	45	64 / 7222	9500	
				M8	48,3	44,3	10	45	64 / 81018	7000	
				M10	48,3	44,3	10	45	64 / 81019	7500	
				M12	48,3	44,3	10	45	64 / 80890	8000	
				M14	48,3	44,3	10	45	64 / 80891	8500	
	2	44,3	M16	48,3	44,3	10	45	64 / 80892	9000		
			M20	48,3	44,3	10	45	64 / 80893	9500		
			M8	48,3	43,3	10	45	64 / 81020	7000		
			M10	48,3	43,3	10	45	64 / 81021	7500		
			M12	48,3	43,3	10	45	64 / 80894	8000		
			M14	48,3	43,3	10	45	64 / 80895	8500		
	2,5	43,3	M16	48,3	43,3	10	45	64 / 80896	9000		
			M20	48,3	43,3	10	45	64 / 80897	9500		
			M8	50	47	10	45	64 / 81022	7000		
			M10	50	47	10	45	64 / 81023	7500		
			M12	50	47	10	45	64 / 81024	8000		
			M14	50	47	10	45	64 / 81025	8500		
50	-	1,5	47	M16	50	47	10	45	64 / 81026	9000	
				M20	50	47	10	45	64 / 80953	9500	
				M8	50	44	10	45	64 / 85153	7000	
				M10	50	44	10	45	64 / 85154	7500	
				M12	50	44	10	45	64 / 83914	8000	
				M14	50	44	10	45	64 / 85155	8500	
	3	44	M16	50	44	10	45	64 / 83915	9000		
			M20	50	44	10	45	64 / 85156	9500		
			M8	50,9	47,9	10	45	64 / 81027	7000		
			M10	50,9	47,9	10	45	64 / 81028	7500		
			M12	50,9	47,9	10	45	64 / 80898	8000		
			M14	50,9	47,9	10	45	64 / 80899	8500		
50,9	-	1,5	47,9	M16	50,9	47,9	10	45	64 / 80900	9000	
				M20	50,9	47,9	10	45	64 / 80901	9500	
				M8	50,9	46,9	10	45	64 / 81029	7000	
				M10	50,9	46,9	10	45	64 / 81030	7500	
				M12	50,9	46,9	10	45	64 / 80902	8000	
				M14	50,9	46,9	10	45	64 / 80903	8500	
	2	46,9	M16	50,9	46,9	10	45	64 / 80904	9000		
			M20	50,9	46,9	10	45	64 / 80905	9500		
			M8	50,9	45,9	10	45	64 / 82085	7000		
			M10	50,9	45,9	10	45	64 / 82086	7500		
			M12	50,9	45,9	10	45	64 / 80906	8000		
			M14	50,9	45,9	10	45	64 / 80907	8500		
-	2,5	45,9	M16	50,9	45,9	10	45	64 / 80908	9000		
			M20	50,9	45,9	10	45	64 / 80909	9500		
			M8	60,3	57,9	12	52	64 / 82889	7000		
			M10	60,3	57,9	12	52	64 / 82890	7500		
			M12	60,3	57,9	12	52	64 / 82891	8000		
			M14	60,3	57,9	12	52	64 / 82892	8500		
	60,3	2	1,2	57,9	M16	60,3	57,9	12	52	64 / 82893	9000
					M20	60,3	57,9	12	52	64 / 82894	9500
					M24	60,3	57,9	12	52	64 / 82895	10000
					M8	60,3	57,3	12	52	64 / 7932	7000
					M10	60,3	57,3	12	52	64 / 7615	7500
					M12	60,3	57,3	12	52	64 / 7616	8000
1,5			57,3	M14	60,3	57,3	12	52	64 / 7617	8500	
				M16	60,3	57,3	12	52	64 / 7223	9000	
				M20	60,3	57,3	12	52	64 / 7224	9500	
				M24	60,3	57,3	12	52	64 / 7225	10000	
				M8	60,3	56,3	12	52	64 / 7934	7000	
				M10	60,3	56,3	12	52	64 / 7618	7500	
2		56,3	M12	60,3	56,3	12	52	64 / 7619	8000		
			M14	60,3	56,3	12	52	64 / 7620	8500		
			M16	60,3	56,3	12	52	64 / 7226	9000		
			M20	60,3	56,3	12	52	64 / 7227	9500		
			M24	60,3	56,3	12	52	64 / 7228	10000		
			M8	60,3	55,3	12	52	64 / 7935	7000		
2,5		55,3	M10	60,3	55,3	12	52	64 / 7621	7500		
			M12	60,3	55,3	12	52	64 / 7622	8000		
			M14	60,3	55,3	12	52	64 / 7623	8500		
			M16	60,3	55,3	12	52	64 / 7229	9000		
			M20	60,3	55,3	12	52	64 / 7230	9500		
			M24	60,3	55,3	12	52	64 / 7231	10000		

Materials: Bushing in reinforced polyamide black colour; threaded insert in nickel plated brass.

Box quantity: 24 pieces.

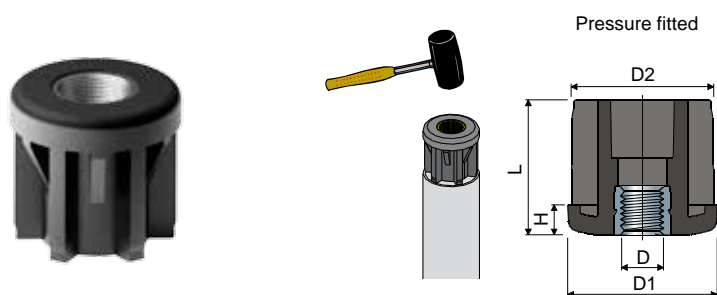
On request

- Bushings: With different thicknesses and colours.
- Box quantity: According to your request.

Threaded bushings

(for round tubes: sizes and threads in Inches)

Part. 64



Tube dimensions								Code	Max static load (N)		
Outside ø (inches)	Outside ø (mm)	Thickness (inches)	Thickness (mm)	Inside ø (mm)	Thread D (UNC)	D1 (mm)	D2 (mm)			H (mm)	L (mm)
1"	(25,4)	0,083"	(2,1)	21,18	1/4"-20 (6,35)	25,2	21,18	6	26	64 / 82730	4500
					5/16"-18 (7,93)	25,2	21,18	6	26	64 / 82731	4500
1" 1/4	(31,75)	0,083"	(2,1)	27,53	3/8"-16 (9,52)	31,5	27,53	6	31	64 / 82732	5000
					1/2"-13 (12,7)	31,5	27,53	6	31	64 / 82733	5000
					5/8"-11 (15,87)	31,5	27,53	6	31	64 / 82734	6500
1" 1/2	(38,1)	0,065"	(1,65)	34,8	3/8"-16 (9,52)	38	34,8	8	38	64 / 82695	5000
					1/2"-13 (12,7)	38	34,8	8	38	64 / 82696	5000
					5/8"-11 (15,87)	38	34,8	8	38	64 / 82697	6500
		0,083"	(2,1)	33,89	3/4"-10 (19,05)	38	34,8	8	38	64 / 82698	9000
					3/8"-16 (9,52)	38	33,89	8	38	64 / 82735	5000
					1/2"-13 (12,7)	38	33,89	8	38	64 / 82736	5000
1" 3/4	(44,45)	0,12"	(3,04)	38,35	5/8"-11 (15,87)	38	33,89	8	38	64 / 82737	6500
					3/4"-10 (19,05)	38	33,89	8	38	64 / 82738	9000
					5/8"-11 (15,87)	44,2	38,35	8	38	64 / 82740	6500
					3/4"-10 (19,05)	44,2	38,35	8	38	64 / 82741	9000
					1"-8 (25,4)	44,2	38,35	8	38	64 / 82739	10000
					3/8"-16 (9,52)	50,6	47,5	10	45	64 / 82703	5000
2"	(50,8)	0,065"	(1,65)	47,5	1/2"-13 (12,7)	50,6	47,5	10	45	64 / 82704	5000
					5/8"-11 (15,87)	50,6	47,5	10	45	64 / 82705	6500
					3/4"-10 (19,05)	50,6	47,5	10	45	64 / 82706	9000
		0,109"	(2,77)	45,26	3/8"-16 (9,52)	50,6	45,26	10	45	64 / 82699	5000
					1/2"-13 (12,7)	50,6	45,26	10	45	64 / 82700	5000
					5/8"-11 (15,87)	50,6	45,26	10	45	64 / 82701	6500
0,156"	(3,96)	42,88	3/4"-10 (19,05)	50,6	45,26	10	45	64 / 82702	9000		
			5/8"-11 (15,87)	50,6	42,88	10	45	64 / 82742	6500		
			3/4"-10 (19,05)	50,6	42,88	10	45	64 / 82743	9000		
2" 1/2	(63,5)	0,156"	(3,96)	55,58	1"-8 (25,4)	50,6	42,88	10	45	64 / 82744	10000
					5/8"-11 (15,87)	63,3	55,58	12	52	64 / 82745	6500
					3/4"-10 (19,05)	63,3	55,58	12	53	64 / 82746	9000
					1"-8 (25,4)	63,3	55,58	12	52	64 / 82747	10000

Materials: Bushing in reinforced polyamide black colour; threaded insert in nickel plated brass.

Box quantity: 24 pieces.

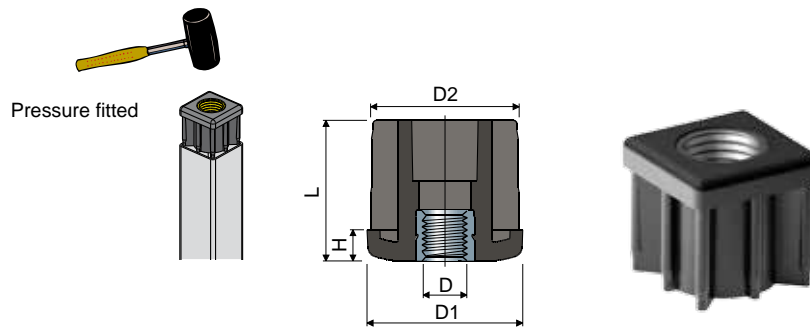
On request

- Bushings: With different thicknesses and colours.
- Box quantity: According to your request.

Thread sizes in inches are expressed as the number of threads (UNC coarse thread) per Imperial inch; the inch dimensions of the tubes conform to the British Imperial system

Threaded bushings

(for square tubes)



Part. **68**

Tube dimensions								Code	Max static load (N)
Outside (mm)	Thickness (mm)	Inside (mm)	Thread D	D1 (mm)	D2 (mm)	H (mm)	L (mm)		
20	1,5	17	M8	20	17	5	23	68 / 7758	4500
	2	16	M8	20	16	5	23	68 / 83927	4500
25	1,5	22	M8	25	22	6	26	68 / 7807	4500
			M10	25	22	6	26	68 / 7808	5000
			M12	25	22	6	26	68 / 7809	5500
	2	21	M8	25	21	6	26	68 / 83928	4500
			M10	25	21	6	26	68 / 83929	5000
			M12	25	21	6	26	68 / 85157	5500
30	1,5	27	M8	30	27	6	31	68 / 7936	4500
			M10	30	27	6	31	68 / 7232	5000
			M12	30	27	6	31	68 / 7233	5500
	2	26	M14	30	27	6	31	68 / 7234	6000
			M16	30	27	6	31	68 / 7235	6500
			M8	30	26	6	31	68 / 81031	4500
35	1,5	32	M10	30	26	6	31	68 / 7817	5000
			M12	30	26	6	31	68 / 7818	5500
			M14	30	26	6	31	68 / 80913	6000
			M16	30	26	6	31	68 / 80914	6500
			M8	35	32	8	38	68 / 7937	6500
			M10	35	32	8	38	68 / 7236	7000
	2	31	M12	35	32	8	38	68 / 7237	7500
			M14	35	32	8	38	68 / 7238	8000
			M16	35	32	8	38	68 / 7239	8500
			M20	35	32	8	38	68 / 7240	9000
			M8	35	31	8	38	68 / 80163	6500
			M10	35	31	8	38	68 / 80036	7000
40	1,2	37,6	M12	35	31	8	38	68 / 80164	7500
			M14	35	31	8	38	68 / 80165	8000
			M16	35	31	8	38	68 / 80172	8500
			M20	35	31	8	38	68 / 80173	9000
			M8	40	37,6	8	38	68 / 80714	7000
			M10	40	37,6	8	38	68 / 80715	7500
	1,5	37	M12	40	37,6	8	38	68 / 80716	8000
			M14	40	37,6	8	38	68 / 80717	8500
			M16	40	37,6	8	38	68 / 80546	9000
			M20	40	37,6	8	38	68 / 80718	9500
			M8	40	37	8	38	68 / 7938	7000
			M10	40	37	8	38	68 / 7241	7500
2	36	M12	40	37	8	38	68 / 7242	8000	
		M14	40	37	8	38	68 / 7243	8500	
		M16	40	37	8	38	68 / 7244	9000	
		M20	40	37	8	38	68 / 7245	9500	
		M8	40	36	8	38	68 / 7939	7000	
		M10	40	36	8	38	68 / 7246	7500	
2,5	35	M12	40	36	8	38	68 / 7247	8000	
		M14	40	36	8	38	68 / 7248	8500	
		M16	40	36	8	38	68 / 7249	9000	
		M20	40	36	8	38	68 / 7250	9500	
		M8	40	35	8	38	68 / 80915	7000	
		M10	40	35	8	38	68 / 80916	7500	
2,5	35	M12	40	35	8	38	68 / 80917	8000	
		M14	40	35	8	38	68 / 80918	8500	
		M16	40	35	8	38	68 / 80919	9000	
		M20	40	35	8	38	68 / 80920	9500	

Threaded bushings

(for square tubes)

Part. 68

Tube dimensions								Code	Max static load (N)
Outside (mm)	Thickness (mm)	Inside (mm)	Thread D	D1 (mm)	D2 (mm)	H (mm)	L (mm)		
40	3	34	M8	40	34	8	38	68 / 85158	7000
			M10	40	34	8	38	68 / 83930	7500
			M12	40	34	8	38	68 / 83931	8000
			M14	40	34	8	38	68 / 85090	8500
			M16	40	34	8	38	68 / 85091	9000
			M20	40	34	8	38	68 / 85092	9500
45	2	41	M8	45	41	8	38	68 / 82118	7000
			M10	45	41	8	38	68 / 82119	7500
			M12	45	41	8	38	68 / 82120	8000
			M14	45	41	8	38	68 / 82121	8500
			M16	45	41	8	38	68 / 82122	9000
			M20	45	41	8	38	68 / 82123	9500
45	3	39	M8	45	39	8	38	68 / 85159	7000
			M10	45	39	8	38	68 / 85160	7500
			M12	45	39	8	38	68 / 83932	8000
			M14	45	39	8	38	68 / 85161	8500
			M16	45	39	8	38	68 / 83933	9000
			M20	45	39	8	38	68 / 85162	9500
50	1,2	47,6	M8	50	47,6	10	45	68 / 80921	7000
			M10	50	47,6	10	45	68 / 80922	7500
			M12	50	47,6	10	45	68 / 80923	8000
			M14	50	47,6	10	45	68 / 80924	8500
			M16	50	47,6	10	45	68 / 80925	9000
			M20	50	47,6	10	45	68 / 80926	9500
50	1,5	47	M8	50	47	10	45	68 / 7940	7000
			M10	50	47	10	45	68 / 7624	7500
			M12	50	47	10	45	68 / 7251	8000
			M14	50	47	10	45	68 / 7252	8500
			M16	50	47	10	45	68 / 7253	9000
			M20	50	47	10	45	68 / 7254	9500
50	2	46	M8	50	46	10	45	68 / 7941	7000
			M10	50	46	10	45	68 / 7625	7500
			M12	50	46	10	45	68 / 7255	8000
			M14	50	46	10	45	68 / 7256	8500
			M16	50	46	10	45	68 / 7257	9000
			M20	50	46	10	45	68 / 7258	9500
50	2,5	45	M8	50	45	10	45	68 / 7942	7000
			M10	50	45	10	45	68 / 7626	7500
			M12	50	45	10	45	68 / 7259	8000
			M14	50	45	10	45	68 / 7260	8500
			M16	50	45	10	45	68 / 7261	9000
			M20	50	45	10	45	68 / 7262	9500
60	3	44	M8	50	44	10	45	68 / 82080	7000
			M10	50	44	10	45	68 / 80927	7500
			M12	50	44	10	45	68 / 80928	8000
			M14	50	44	10	45	68 / 80929	8500
			M16	50	44	10	45	68 / 80930	9000
			M20	50	44	10	45	68 / 80931	9500
60	2	56	M8	60	56	10	45	68 / 81032	7000
			M10	60	56	10	45	68 / 80932	7500
			M12	60	56	10	45	68 / 80933	8000
			M14	60	56	10	45	68 / 80934	8500
			M16	60	56	10	45	68 / 80935	9000
			M20	60	56	10	45	68 / 80936	9500
60	3	54	M8	60	54	10	45	68 / 82081	7000
			M10	60	54	10	45	68 / 80937	7500
			M12	60	54	10	45	68 / 80938	8000
			M14	60	54	10	45	68 / 80939	8500
			M16	60	54	10	45	68 / 80940	9000
			M20	60	54	10	45	68 / 80941	9500
80	3	74	M14	80	74	10	45	68 / 85163	8500
			M16	80	74	10	45	68 / 82082	9000
			M20	80	74	10	45	68 / 82013	9500

Material: Bushing in reinforced polyamide black colour; threaded insert in nickel plated brass.

Box quantity: 24 pieces.

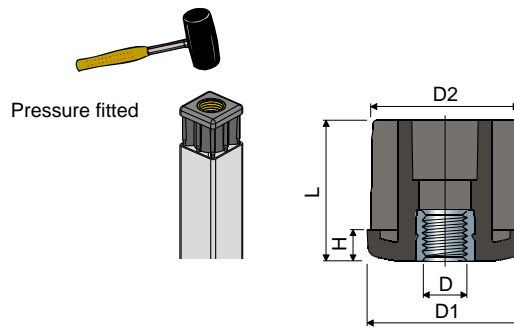
On request

- Bushings: With different thicknesses and colours.
- Box quantity: According to your request.

Threaded bushings

(for square tubes: sizes and threads in Inches)

Part. **68**



Tube dimensions				Thread D	D1	D2	H	L	Code	Max static load (N)					
Outside (inches)	Outside (mm)	Thickness (inches)	Thickness (mm)								Inside (mm)				
1" 1/2	(38,1)	0,065"	(1,65)	34,8	3/8"-16	(9,52)	38	34,8	8	38	68 / 82707	5000			
					1/2"-13	(12,7)	38	34,8	8	38	68 / 82708	5000			
					5/8"-11	(15,87)	38	34,8	8	38	68 / 82709	6500			
					3/4"-10	(19,05)	38	34,8	8	38	68 / 82710	9000			
					3/8"-16	(9,52)	38	32	8	38	68 / 82711	5000			
					1/2"-13	(12,7)	38	32	8	38	68 / 82712	5000			
		0,12"	(3,05)	32	5/8"-11	(15,87)	38	32	8	38	68 / 82713	6500			
					3/4"-10	(19,05)	38	32	8	38	68 / 82714	9000			
					0,065"	(1,65)	47,5	3/8"-16	(9,52)	50,6	47,5	10	45	68 / 82715	5000
								1/2"-13	(12,7)	50,6	47,5	10	45	68 / 82716	5000
								5/8"-11	(15,87)	50,6	47,5	10	45	68 / 82717	6500
								3/4"-10	(19,05)	50,6	47,5	10	45	68 / 82718	9000
2"	(50,8)	0,109"	(2,77)	45,26	3/8"-16	(9,52)	50,6	45,26	10	45	68 / 82719	5000			
					1/2"-13	(12,7)	50,6	45,26	10	45	68 / 82720	5000			
					5/8"-11	(15,87)	50,6	45,26	10	45	68 / 82721	6500			
					3/4"-10	(19,05)	50,6	45,26	10	45	68 / 82722	9000			
					0,12"	(3,05)	44,7	3/8"-16	(9,52)	50,6	44,7	10	45	68 / 82726	5000
								1/2"-13	(12,7)	50,6	44,7	10	45	68 / 82727	5000
5/8"-11	(15,87)	50,6	44,7	10				45	68 / 82728	6500					
					3/4"-10	(19,05)	50,6	44,7	10	45	68 / 82729	9000			

Materials: Bushing in reinforced polyamide black colour; threaded insert in nickel plated brass.

Box quantity: 24 pieces.

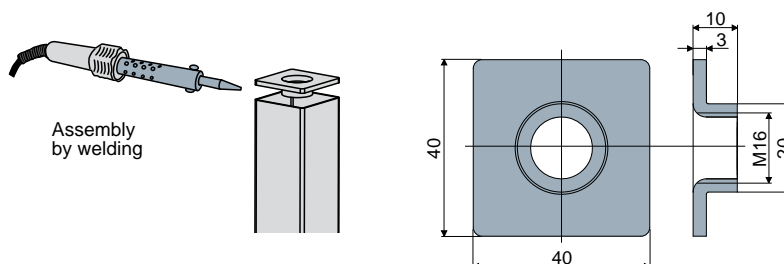
On request

- Bushings: With different thicknesses and colours.
- Box quantity: According to your request.

Thread sizes in inches are expressed as the number of threads (UNC coarse thread) per Imperial inch; the inch dimensions of the tubes conform to the British Imperial system

Threaded caps

Part. **130**



Code	Max static load (N)
130 / 88887	20000

Materials: Cap in stainless steel.

Features: Assembly by welding.

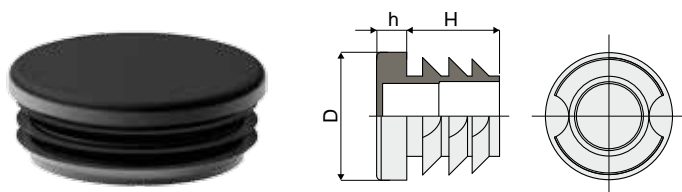
Box quantity: 24 pieces.

On request

- Box quantity: Not standard.

Closing caps

Part. 116 Closing cap, round



Code	Dimensions			Tube thickness	
	D (mm)	h (mm)	H (mm)	Min. (mm)	Max. (mm)
116 / 84153	38	5	11,5	1	3,5
116 / 84154	42,4	5	11,5	1	2,5
116 / 84155	48,3	5	11,5	1,2	3,6
116 / 84156	60	5	18,5	1,5	3

MATERIALS: Cap in black polyethylene.

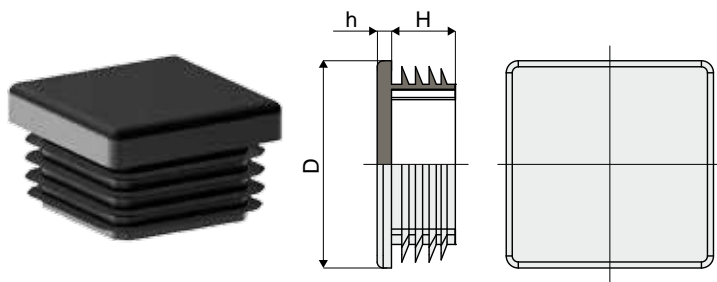
FEATURES: To be assembled to the tubes edges.

BOX QUANTITY: 96 pieces.

ON REQUEST:

- Box quantity: According to your request.

Part. 117 Closing cap, square



Code	Dimensions			Tube thickness	
	D (mm)	h (mm)	H (mm)	Min. (mm)	Max. (mm)
117 / 84157	25	5	11,5	1	3
117 / 84158	30	5	11,5	1	2,5
117 / 84159	35	5	14,5	1	3
117 / 84160	40	5	14,5	1	3
117 / 84161	50	5	14,5	1	2,5
117 / 84162	60	5	24	1,5	3,5

MATERIALS: Cap in black polyethylene.

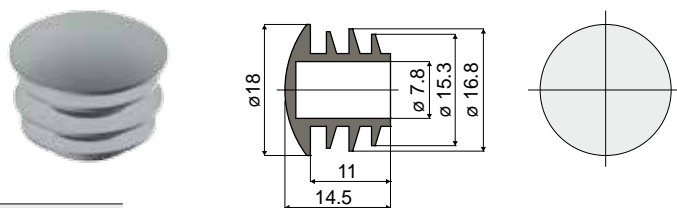
FEATURES: To be assembled to the tubes edges.

BOX QUANTITY: 96 pieces.

ON REQUEST:

- Caps: Rectangular shape.
- Box quantity: According to your request.

Part. 121 Closing cap, round



Code
121 / 85542

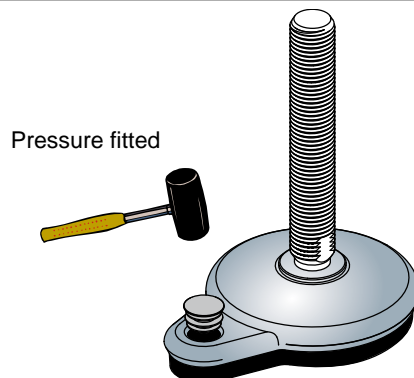
MATERIALS: Cap in grey polyethylene.

FEATURES: To be assembled to the feet with side fixing system: Part.111, 112, 119, 120.

BOX QUANTITY: 96 pieces.

ON REQUEST:

- Box quantity: According to your request.



Chemical resistance

CHEMICAL AGENT	POLYAMIDE PA		POLYPROPYLENE PP		ACETAL POM		STAINLESS STEEL AISI 304		NICKEL PLATED BRASS		NBR RUBBER	
	Conc.%	23° C	Conc.%	23° C	Conc.%	23° C	Conc.%	23° C	Conc.%	23° C	Conc.%	23° C
ACETIC ACID	10	-	40	+	5	-	20	+	/	-	-	
ACETONE	100	+		+	/		50	+	+	-	-	
AMMONIA	10	+	30	+	Sol.	+	50	+	-	-	/	
AMMONIA CONC.		+		+		-					-	
ANILINE	/		100	+	3		3	+			-	
BEER		+		+		+		+		+	+	
BENZENE		+		+		+	70	/			-	
BENZOL	100	+		/		+		+		+	-	
BORIC ACID	10	+	Sat.	+		+	100	/			+	
BUTTER		+		+		+		+		+	+	
BUTYRIC ACID		-	100	+		-	5	+			-	
CALCIUM CHLORIDE	10	+	50	+		/	10	-		+	+	
CARBON SULPHIDE	100	+		+		+		+			-	
CARBON TETRACHLORIDE		+		-		+	10	-		+	-	
CAUSTIC POTASSIUM	10	+					50	+			/	
CAUSTIC SODA	10	+	52	+	25	-		+			/	
CHLORINATED WATER		+		-		-		-			-	
CHLOROFORM	100	-		/		-	100	+		+	-	
CITRIC ACID	10	/	10	+		/	5	+		-	+	
CUPRIC SULPHATE	10	+	Sat.	+		+	5	+			+	
DISTILLED WATER		+		+		+		+			+	
ETHYL ALCOHOL	96	+	96	+		+	10	+		+	/	
ETHYL CHLORIDE	100	+		-		+		+		/	-	
ETHYL ETHER	100	+		+		+					-	
FERRIC CHLORIDE	10	+		+			20	-			+	
FOOD FATS		+		+		+		+			+	
FOOD OILS		+		+		+		+			+	
FORMALDEHYDE	30	+	40	+		+	100	+		+	-	
FORMIC ACID	10	-	100	+	10	-	5	/		+	-	
FREON 12		+						+			+	
FRUIT JUICES		+		+		+		+			+	
GLYCERINE		+		+		+		+		+	+	
HYDROCHLORIC ACID	10	-	30	+	37	-		-		/	10 /	
HYDROCHLORIC ACID	2	-	2	+	2	/					2 /	
HYDROFLUORIC ACID	40	-	40	+		-		-			65 -	
HYDROGEN PEROXIDE	3	-	30	+		-	30	+		/	80 -	
IODINE		-		+		+					/	
LACTIC ACID	10	+	20	+		+	5	+		-	+	
MAGNESIUM CHLORIDE	10	+	Sat.	+			5	+			+	
MERCURY		+	100	+		+	100	/		/	+	
METHYL ALCOHOL	100	+		+		+	100	/		+	/	
METHYLENE CHLORIDE	100	+		/		-		/			-	
MILK		+		+		+		+		+	+	
MINERAL OILS		+		+		+		+			+	
NITRIC ACID	10	-		+	5	-	10	+			10 -	
OLEIC ACID	100	+		+		-	100	/		+	/	
PARAFFIN		+	100	/		+		+			+	
PETROLEUM		+	100	/		+		+		+	+	
PETROLEUM ETHER		+		+		+		+		+	-	
PHOSPHORIC ACID	10	-	85	+	10	-	10	-		-	20 /	
SEA WATER		+		+		/		+		+	+	
SILICON OIL		+		+							+	
SOAP SOLUTION		+		+							+	
SODIUM CARBONATE	10	+	Sat.	+		+	5	+			+	
SODIUM CHLORIDE	10	+	Sat.	+		+	5	+		+	+	
SODIUM HYDROXIDE	10	+	30	+	10	+		-		+	/	
SODIUM HYPOCHLORITE		+	20	+		-		-			-	
SODIUM SILICATE		+					100	+			+	
SODIUM SULPHATE	10	+	Sat.	+		+	5	+			+	
SULPHURIC ACID	10	-	98	+	40	-	10	-		+	-	
TARTARIC ACID		+	10	+	30	/	10	+		-	+	
TETRALINE		+		-							-	
TINCTURE OF IODINE		-		+		+				-	/	
TRANSFORMER OIL		+		/							+	
TRICHLOROETHYLENE	/		/			-		+		+	-	
TURPENTINE	/		-			-		+			-	
VASELINE		+		+		+					+	
VEGETABLE JUICES		+		+		+		+			+	
VEGETABLE OILS		+		+		+		+			+	
VINEGAR		+		+		+		+		+	/	
WATER AND SOAP		+		+		+		+			+	
WHISKY		+		+		+		+		+	+	
WINE		+		+		+		+		+	+	
XILOL		+		-		+		+		/	-	
ZINC CHLORIDE	10	/	20	+			10	-			+	

Abbreviations: Sat. = Saturated
 + = Good resistance.
 / = Fairly good resistance (limited use depending on working conditions).
 - = Poor resistance (not recommended).
 N.B.: Where tests have not been carried out the spaces are left blank.

The data shown in the table are to be considered as purely indicative, since material behaviour under real working conditions depends on different factors: temperature, concentration of the chemical agent, lasting effect of the chemical agent (quick or long).

Lubrication

All self-aligning bearings are supplied factory lubricated, with the exception of F – FL series, for which it is necessary to provide an initial lubrication.

Bearings are prelubricated with long lasting lithium/calcium grease.

Technical data

- NLGI consistency: 2
- Emulsifier: lithium/calcium
- Base oil: mineral
- Base oil viscosity: 165 mm²/s at 40°C
- Operating temperature: - 20°C to +120°C
- Water resistance: Recommended
- Antioxidant properties: Recommended

All self-aligning bearing units are equipped with a grease nipple of the ball type to allow periodical relubrication of the bearing.

- Do not grease at first assembly, with the exception of F – FL series, for which it is necessary to provide an initial lubrication.
- Use only grease of same characteristics as indicated.
- Clean greasing nipple before each greasing operation.
- We recommend to proceed to frequent greasing operations with small quantities of grease.

Relubrication intervals may vary according to actual operating conditions.

In standard operating conditions we recommend to proceed to relubrication every 2 months.

Operating temperatures

Material	Description	Operating temperatures (°C)		
		contact with air		contact with hot water
		Min	Max	Max
PA	Polyamide	- 20	+ 120	+ 100
PA FV	Reinforced polyamide	- 5	+ 120	+ 100
PP	Polypropylene	+ 5	+ 105	+ 105
PP FV	Reinforced polypropylene	+ 5	+ 115	+ 115
POM	Acetal	- 40	+ 80	+ 65
AISI 303 - AISI 304	Austenitic stainless steel (18/8)	- 70	+ 430	+ 120
Fe Zn	Zinc plated steel	- 40	+ 180	-
OT	Nickel plated brass	- 40	+ 180	+ 120
HMWPE	Polyethylene with high molecular density	- 200	+ 80	-
UHMWPE	Polyethylene with ultra high molecular density	- 200	+ 80	+ 70

Units of measurement

Length					
	m	cm	mm	in IMPERIAL	in GAS
1 m	= 1	100	1000	39,37007	29,94011
1 cm	= 0,01	1	10	0,393700	0,299401
1 mm	= 0,001	0,1	1	0,039370	0,029940
1 in IMPERIAL	= 0,0254	2,54	25,4	1	-
1 in GAS	= 0,0334	3,34	33,4	-	1

Mass				
	kg	g	kgf · s ² /m	lb
1 kg	= 1	1000	0,1019716	2,204623
1 g	= 0,001	1	0,000102	0,0022046
1 kgf · s ² /m	= 9,80665	9806,65	1	21,61996
1 lb	= 0,4535924	453,5924	0,0462536	1

Force			
	N	kgf	lbf
1 N	= 1	0,1019716	0,2248089
1 kgf	= 9,80665	1	2,204622
1 lbf	= 4,448222	0,4535924	1

Work			
	J (N · m)	kgf · m	lbf · in
1 J (N · m)	= 1	0,1020	8,851124
1 kgf · m	= 9,807	1	86,799893
1 lbf · in	= 0,113	0,0115	1

Part.	Pag.	Part.	Pag.	Part.	Pag.	Part.	Pag.	Part.	Pag.	Part.	Pag.	Part.	Pag.	Part.	Pag.
1	247	128	266	253	72	314	38	371	155	430	94	488	22	Corner tracks	163
2	248	129	274	254	75	315	38	373	132	431	94	489	22	Straight tracks	163
3	247	130	295	255	24	316	148	374	152	432	97	490	23	F	184
4	248	200	10	256	35	317	86	375	129	433	97	491	23	FL	204
10	252	201	10	257	92	318	112	376	91	434	55	492	144	MUCF	176
15	253	202	11	258	93	319	99	377	141	435	61	493	115	MUCF/C	166
18 pa	249	203	11	259	93	320	110	379	65	436	30	494	115	MUCF/CS	178
18	254	204	49	260	95	321	110	380	65	437	113	495	145	MUCF/CX	170
25 pa	250	205	49	261	96	322	110	381	138	438	137	496	145	MUCF/CX	172
25	256	206	56	262	96	323	110	382	40	439	53	497	145	MUCFL	196
27 pa	249	207	13	263	86	324	58	383	40	440	53	498	146	MUCFL/C	186
27	255	208	12	264	87	325	102	384	138	441	32	499	146	MUCFL/CS	198
38 pa	250	209	25	265	87	326	102	385	139	442	32	500	127	MUCFL/CX	190
38	257	210	15	266	34	327	103	386	39	443	52	501	124	MUCFL/CX	192
45	258	211	13	267	63	328	103	387	30	444	142	502	124	UCF	176
64 mm	290	212	12	268	77	329	111	388	126	446	137	511	112	UCFB	212
64 inches	292	213	17	269	77	330	128	389	142	448	121	512	140	UCFB/C	206
68 mm	293	214	17	270	66	331	150	390	143	449	122	513	139	UCFB/CX	208
68 inches	295	215	18	271	66	332	42	391	143	450	123	514	136	UCFB/CX	210
79	261	216	20	272	69	333	61	392	30	451	121	515	131	UCF/C	166
81	267	217	25	273	67	334	39	393	126	452	122	517	140	UCF/C	168
82	289	218	21	274	68	335	88	394	126	453	123	518	130	UCFC	240
87	262	219	24	275	69	336	88	395	126	454	78	519	143	UCF/CA	180
89	263	220	26	276	74	337	39	397	42	455	78	520	69	UCF/C	236
92	259	221	34	277	64	338	39	398	48	456	79	521	50	UCF/CX	238
93	264	222	34	278	64	339	119	399	73	457	79	522	113	UCF/CS	178
94	270	223	35	279	20	340	116	400	42	458	84	523	83	UCF/CX	170
95	271	224	28	280	19	341	116	401	16	459	85	524	75	UCF/CX	172
96	268	225	28	281	19	342	117	402	14	460	48	525	74	UCF/CX	174
97	272	226	36	282	75	343	117	403	16	461	144	526	35	UCF/CXA	182
98	269	227	36	283	89	344	120	404	16	462	152	527	90	UCFL	196
99	273	228	36	285	76	345	118	405	51	463	111	528	111	UCFL/C	186
101	277	229	43	286	67	346	46	406	33	464	108	529	76	UCFL/C	188
103	284	230	43	287	68	347	46	407	33	465	109	530	28	UCFL/CA	200
104	266	231	44	288	91	348	47	408	31	466	109	531	54	UCFL/CS	198
107	276	232	44	289	43	349	47	409	14	467	104	534	131	UCFL/CX	190
108	283	233	90	290	45	350	40	410	51	468	100	535	83	UCFL/CX	192
109	280	234	90	291	44	352	151	411	51	469	136	536	131	UCFL/CX	194
110	287	235	29	293	74	353	135	412	50	470	54	537	56	UCFL/CXA	202
111	279	236	29	294	40	354	133	413	50	471	146	538	67	UCP	222
112	286	237	57	296	71	355	106	414	89	472	80	539	58	UCPA	228
113	275	238	58	297	60	356	106	415	114	473	80	540	82	UCPA/C	224
114	282	239	59	299	149	357	107	416	95	474	100	541	82	UCPA/CX	226
115	274	240	57	300	86	358	107	417	92	475	101	542	81	UCP/C	214
116	296	241	59	301	48	359	63	418	134	476	101	543	81	UCP/C	216
117	296	242	26	302	70	360	147	419	134	477	104	544	127	UCP/CX	218
118	251	243	18	303	41	361	153	420	135	478	105	545	127	UCP/CX	220
119	285	244	21	304	41	362	153	421	120	479	105	700	159	UCT	234
120	278	245	73	305	41	363	153	422	119	480	108	702	158	UCT/C	230
121	296	246	37	306	98	364	153	423	118	481	114	704	159	UCT/CX	232
122	260	247	37	307	98	365	154	424	52	482	109	705	162		
123	267	248	37	308	99	366	154	425	130	483	45	706	162		
124	265	249	73	310	77	367	154	426	130	484	45	707	162		
125	281	250	70	311	76	368	154	427	55	485	136	710	160		
126	288	251	71	312	60	369	155	428	62	486	27	711	160		
127	266	252	72	313	38	370	155	429	148	487	27	713	161		

Cod.	Pag.	Cod.	Pag.	Cod.	Pag.	Cod.	Pag.	Cod.	Pag.	Cod.	Pag.	Cod.	Pag.	Cod.	Pag.
7000	252	7062	254	7124	257	7186	272	7248	293	7272	261	7276	255	7278	260
7001	252	7063	254	7125	257	7187	272	7249	293	7272	275	7276	256	7278	262
7002	252	7064	254	7126	257	7188	272	7250	293	7272	278	7276	257	7278	263
7003	252	7065	254	7127	257	7189	272	7251	294	7273	248	7276	258	7278	264
7004	252	7066	254	7128	257	7190	272	7252	294	7273	248	7276	259	7278	265
7005	252	7067	254	7129	257	7191	272	7253	294	7273	251	7276	260	7278	268
7006	252	7068	254	7130	257	7192	272	7254	294	7273	252	7276	262	7278	269
7007	252	7069	254	7131	257	7193	272	7255	294	7273	253	7276	263	7278	270
7008	252	7070	256	7132	258	7194	273	7256	294	7273	254	7276	264	7278	271
7009	252	7071	256	7133	258	7195	273	7257	294	7273	255	7276	265	7278	272
7010	252	7072	256	7134	258	7196	273	7258	294	7273	256	7276	267	7278	273
7011	252	7073	256	7135	258	7197	273	7259	294	7273	257	7276	268	7278	274
7012	252	7074	256	7136	258	7198	273	7260	294	7273	275	7276	269	7278	276
7013	252	7075	256	7137	258	7199	273	7261	294	7273	278	7276	270	7278	277
7014	252	7076	256	7138	258	7200	273	7262	294	7273	282	7276	271	7278	279
7015	252	7077	256	7139	258	7201	273	7263	248	7273	283	7276	272	7278	280
7016	252	7078	256	7140	258	7202	273	7263	252	7273	284	7276	273	7278	281
7017	252	7079	256	7141	258	7203	273	7264	253	7273	285	7277	249	7278	282
7018	253	7080	256	7142	258	7204	273	7264	261	7273	286	7277	249	7278	283
7019	253	7081	256	7143	258	7205	273	7265	249	7273	287	7277	250	7278	284
7020	253	7082	256	7144	258	7206	273	7265	254	7274	252	7277	250	7278	285
7021	253	7083	256	7145	258	7207	273	7266	250	7274	253	7277	252	7278	286
7022	253	7084	256	7146	258	7208	273	7266	256	7274	254	7277	253	7278	287
7023	253	7085	256	7147	258	7209	273	7267	250	7274	255	7277	254	7278	288
7024	253	7086	256	7148	258	7210	290	7267	257	7274	256	7277	255	7279	256
7025	253	7087	256	7149	258	7211	290	7267	262	7274	257	7277	256	7279	257
7026	253	7088	256	7150	258	7212	290	7268	258	7274	258	7277	257	7279	258
7027	253	7089	256	7151	258	7213	290	7268	263	7274	275	7277	258	7279	259
7028	253	7090	256	7152	258	7214	290	7269	247	7274	278	7277	259	7279	260
7029	253	7091	256	7153	258	7215	290	7269	248	7274	282	7277	262	7279	262
7030	253	7092	256	7154	262	7216	290	7269	248	7274	283	7277	263	7279	263
7031	253	7093	256	7155	262	7217	290	7269	251	7274	284	7277	264	7279	264
7032	253	7094	256	7156	262	7218	290	7269	252	7274	285	7277	265	7279	265
7033	253	7095	256	7157	262	7219	291	7269	253	7274	286	7277	268	7279	267
7034	253	7096	256	7158	262	7220	291	7269	254	7274	287	7277	269	7279	268
7035	253	7097	256	7159	262	7221	291	7269	255	7275	249	7277	270	7279	269
7036	254	7098	256	7160	262	7222	291	7269	256	7275	249	7277	271	7279	270
7037	254	7099	256	7161	262	7223	291	7269	261	7275	250	7277	272	7279	271
7038	254	7100	256	7162	262	7224	291	7270	248	7275	250	7277	273	7279	272
7039	254	7101	256	7163	262	7225	291	7270	248	7275	252	7277	274	7279	273
7040	254	7102	256	7164	262	7226	291	7270	251	7275	253	7277	275	7280	256
7041	254	7103	256	7165	262	7227	291	7270	252	7275	254	7277	276	7280	257
7042	254	7104	256	7166	263	7228	291	7270	253	7275	255	7277	277	7280	258
7043	254	7105	256	7167	263	7229	291	7270	254	7275	256	7277	278	7280	259
7044	254	7106	256	7168	263	7230	291	7270	255	7275	257	7277	279	7280	260
7045	254	7107	256	7169	263	7231	291	7270	256	7275	258	7277	280	7280	262
7046	254	7108	256	7170	263	7232	293	7270	257	7275	259	7277	282	7280	263
7047	254	7109	256	7171	263	7233	293	7271	252	7275	262	7277	283	7280	264
7048	254	7110	257	7172	263	7234	293	7271	253	7275	263	7277	284	7280	265
7049	254	7111	257	7173	263	7235	293	7271	254	7275	264	7277	285	7280	268
7050	254	7112	257	7174	263	7236	293	7271	255	7275	265	7277	286	7280	269
7051	254	7113	257	7175	263	7237	293	7271	256	7275	268	7277	287	7280	270
7052	254	7114	257	7176	263	7238	293	7271	257	7275	269	7278	249	7280	271
7053	254	7115	257	7177	263	7239	293	7271	258	7275	270	7278	249	7280	272
7054	254	7116	257	7178	263	7240	293	7272	248	7275	271	7278	250	7280	273
7055	254	7117	257	7179	263	7241	293	7272	248	7275	272	7278	250	7280	274
7056	254	7118	257	7180	263	7242	293	7272	251	7275	273	7278	254	7280	276
7057	254	7119	257	7181	263	7243	293	7272	252	7276	249	7278	255	7280	277
7058	254	7120	257	7182	272	7244	293	7272	253	7276	249	7278	256	7280	279
7059	254	7121	257	7183	272	7245	293	7272	254	7276	250	7278	257	7280	280
7060	254	7122	257	7184	272	7246	293	7272	255	7276	250	7278	258	7280	281
7061	254	7123	257	7185	272	7247	293	7272	256	7276	254	7278	259	7280	282

Cod.	Pag.	Cod.	Pag.	Cod.	Pag.	Cod.	Pag.	Cod.	Pag.	Cod.	Pag.	Cod.	Pag.	Cod.	Pag.
7280	283	7286	248	7289	272	7292	250	7294	274	7410	254	7476	257	7546	271
7280	284	7286	251	7289	273	7292	254	7294	276	7411	254	7477	257	7547	271
7280	285	7286	252	7290	249	7292	255	7294	277	7412	255	7478	257	7548	271
7280	286	7286	253	7290	249	7292	256	7294	279	7413	255	7479	257	7549	271
7280	287	7286	254	7290	250	7292	257	7294	280	7414	255	7484	257	7550	272
7280	288	7286	255	7290	250	7292	258	7294	281	7415	255	7485	257	7551	272
7281	260	7286	256	7290	254	7292	259	7294	282	7416	255	7486	258	7552	272
7281	263	7286	261	7290	255	7292	260	7294	283	7417	255	7487	258	7553	272
7281	264	7286	275	7290	256	7292	262	7294	284	7418	255	7488	258	7554	272
7281	265	7286	278	7290	257	7292	263	7294	285	7419	255	7489	258	7555	272
7281	268	7287	248	7290	258	7292	264	7294	286	7420	255	7490	258	7556	273
7281	269	7287	248	7290	259	7292	265	7294	287	7421	255	7491	258	7557	273
7281	270	7287	251	7290	260	7292	268	7294	288	7422	255	7496	258	7558	273
7281	273	7287	252	7290	262	7292	269	7295	260	7423	255	7497	258	7559	273
7282	260	7287	253	7290	263	7292	270	7295	263	7424	255	7498	262	7560	273
7282	263	7287	254	7290	264	7292	271	7295	264	7425	255	7499	262	7561	273
7282	264	7287	255	7290	265	7292	272	7295	265	7426	255	7500	262	7562	268
7282	265	7287	256	7290	267	7292	273	7295	268	7427	255	7501	262	7563	268
7282	268	7287	257	7290	268	7292	274	7295	269	7428	255	7502	262	7564	268
7282	269	7287	275	7290	269	7292	276	7295	270	7429	255	7503	262	7565	268
7282	270	7287	278	7290	270	7292	277	7295	273	7430	255	7504	263	7566	268
7282	273	7287	282	7290	271	7292	279	7296	260	7431	255	7505	263	7567	268
7282	274	7287	283	7290	272	7292	280	7296	263	7432	255	7506	263	7568	268
7282	276	7287	284	7290	273	7292	281	7296	264	7433	255	7507	263	7569	268
7282	277	7287	285	7291	249	7292	282	7296	265	7434	255	7508	263	7570	268
7282	279	7287	286	7291	249	7292	283	7296	268	7435	255	7509	263	7571	268
7282	280	7287	287	7291	250	7292	284	7296	269	7436	255	7510	264	7572	268
7282	281	7288	252	7291	250	7292	285	7296	270	7437	255	7511	264	7573	268
7282	282	7288	253	7291	252	7292	286	7296	273	7438	255	7512	264	7574	268
7282	283	7288	254	7291	253	7292	287	7296	274	7439	255	7513	264	7575	268
7282	284	7288	255	7291	254	7292	288	7296	276	7440	255	7514	264	7576	268
7282	285	7288	256	7291	255	7293	256	7296	277	7441	255	7515	264	7577	268
7282	286	7288	257	7291	256	7293	257	7296	279	7442	255	7516	264	7578	268
7282	287	7288	258	7291	257	7293	258	7296	280	7443	255	7517	264	7579	268
7282	288	7288	275	7291	258	7293	259	7296	281	7444	255	7518	264	7580	268
7283	247	7288	278	7291	259	7293	260	7296	282	7445	255	7519	264	7581	268
7283	248	7288	282	7291	262	7293	262	7296	283	7446	255	7520	264	7582	268
7283	248	7288	283	7291	263	7293	263	7296	284	7447	255	7521	264	7583	268
7283	251	7288	284	7291	264	7293	264	7296	285	7448	255	7522	264	7584	269
7283	252	7288	285	7291	265	7293	265	7296	286	7449	255	7523	264	7585	269
7283	253	7288	286	7291	268	7293	267	7296	287	7450	255	7524	264	7586	269
7283	254	7288	287	7291	269	7293	268	7296	288	7451	255	7525	264	7587	269
7283	255	7289	249	7291	270	7293	269	7390	252	7452	255	7526	264	7588	269
7283	256	7289	249	7291	271	7293	270	7391	252	7453	255	7527	264	7589	269
7283	261	7289	250	7291	272	7293	271	7392	252	7454	255	7528	264	7590	269
7284	248	7289	250	7291	273	7293	272	7393	252	7455	255	7529	264	7591	269
7284	248	7289	252	7291	274	7293	273	7394	252	7456	256	7530	264	7592	269
7284	251	7289	253	7291	275	7294	256	7395	252	7457	256	7531	264	7593	269
7284	252	7289	254	7291	276	7294	257	7396	253	7458	256	7532	271	7594	269
7284	253	7289	255	7291	277	7294	258	7397	253	7459	256	7533	271	7595	269
7284	254	7289	256	7291	278	7294	259	7398	253	7460	256	7534	271	7596	269
7284	255	7289	257	7291	279	7294	260	7399	253	7461	256	7535	271	7597	269
7284	256	7289	258	7291	280	7294	262	7400	253	7462	256	7536	271	7598	269
7284	257	7289	259	7291	282	7294	263	7401	253	7463	256	7537	271	7599	269
7285	252	7289	262	7291	283	7294	264	7402	254	7464	256	7538	271	7600	269
7285	253	7289	263	7291	284	7294	265	7403	254	7465	256	7539	271	7601	269
7285	254	7289	264	7291	285	7294	268	7404	254	7466	256	7540	271	7602	269
7285	255	7289	265	7291	286	7294	269	7405	254	7467	256	7541	271	7603	269
7285	256	7289	268	7291	287	7294	270	7406	254	7472	256	7542	271	7604	269
7285	257	7289	269	7292	249	7294	271	7407	254	7473	256	7543	271	7605	269
7285	258	7289	270	7292	249	7294	272	7408	254	7474	257	7544	271	7614	291
7286	248	7289	271	7292	250	7294	273	7409	254	7475	257	7545	271	7615	291

Cod.	Pag.	Cod.	Pag.	Cod.	Pag.	Cod.	Pag.	Cod.	Pag.	Cod.	Pag.	Cod.	Pag.	Cod.	Pag.
7616	291	7707	248	7900	255	80011	211	80068	187	80075	233	80077	193	80078	239
7617	291	7712	248	7901	255	80011	211	80069	187	80075	235	80077	193	80078	241
7618	291	7713	248	7902	256	80011	213	80071	187	80075	235	80077	193	80078	241
7619	291	7716	248	7903	256	80011	213	80072	187	80076	171	80077	197	80078	241
7620	291	7717	248	7904	262	80011	213	80073	187	80076	171	80077	197	80078	241
7621	291	7722	248	7905	262	80011	219	80075	171	80076	173	80077	197	80155	250
7622	291	7723	248	7906	263	80011	219	80075	171	80076	173	80077	197	80156	248
7623	291	7726	248	7907	263	80011	219	80075	171	80076	175	80077	199	80157	248
7624	294	7727	248	7908	264	80011	221	80075	173	80076	175	80077	199	80158	248
7625	294	7732	248	7909	264	80011	221	80075	173	80076	177	80077	209	80159	248
7626	294	7733	248	7910	271	80011	223	80075	173	80076	177	80077	209	80160	249
7627	249	7736	248	7911	271	80011	223	80075	175	80076	179	80077	211	80161	249
7628	249	7737	248	7912	272	80011	223	80075	175	80076	179	80077	211	80162	250
7629	250	7758	293	7913	272	80011	233	80075	177	80076	191	80077	213	80163	293
7630	250	7782	259	7914	273	80011	233	80075	177	80076	191	80077	213	80164	293
7632	249	7783	259	7915	273	80011	235	80075	177	80076	191	80077	219	80165	293
7632	255	7784	259	7916	268	80011	235	80075	179	80076	191	80077	219	80172	293
7633	259	7785	259	7917	268	80036	293	80075	179	80076	193	80077	223	80173	293
7633	264	7786	259	7918	269	80053	171	80075	191	80076	193	80077	223	80175	171
7634	247	7787	259	7919	269	80053	171	80075	191	80076	193	80077	239	80176	171
7634	248	7788	259	7930	291	80053	175	80075	191	80076	193	80077	239	80177	171
7634	248	7789	259	7932	291	80053	175	80075	191	80076	195	80077	239	80178	179
7634	251	7790	259	7934	291	80053	177	80075	191	80076	195	80077	239	80179	179
7634	252	7791	259	7935	291	80053	177	80075	191	80076	197	80077	241	80180	179
7634	253	7792	259	7936	293	80053	179	80075	193	80076	197	80077	241	80181	191
7634	254	7793	259	7937	293	80053	179	80075	193	80076	197	80077	241	80182	191
7634	255	7794	259	7938	293	80053	191	80075	193	80076	197	80077	241	80183	191
7634	256	7795	259	7939	293	80053	191	80075	193	80076	199	80078	171	80184	199
7635	248	7796	259	7940	294	80053	193	80075	193	80076	199	80078	171	80185	199
7635	248	7797	259	7941	294	80053	193	80075	193	80076	209	80078	173	80186	199
7635	251	7798	259	7942	294	80053	195	80075	195	80076	209	80078	173	80209	289
7635	252	7799	259	7950	256	80053	195	80075	195	80076	211	80078	177	80210	289
7635	253	7800	259	80005	167	80053	197	80075	197	80076	211	80078	177	80211	289
7635	254	7801	259	80009	167	80053	197	80075	197	80076	213	80078	179	80212	289
7635	255	7802	290	80010	177	80053	199	80075	197	80076	213	80078	179	80214	267
7635	256	7803	290	80011	171	80053	199	80075	197	80076	219	80078	191	80248	167
7635	275	7804	290	80011	171	80053	209	80075	197	80076	219	80078	191	80249	167
7635	278	7805	290	80011	171	80053	209	80075	197	80076	221	80078	191	80250	167
7636	247	7806	290	80011	175	80053	211	80075	199	80076	221	80078	191	80251	167
7636	248	7807	293	80011	175	80053	211	80075	199	80076	223	80078	193	80252	171
7636	248	7808	293	80011	177	80053	213	80075	209	80076	223	80078	193	80253	171
7636	251	7809	293	80011	177	80053	213	80075	209	80076	227	80078	193	80254	171
7636	252	7817	293	80011	177	80053	219	80075	209	80076	227	80078	193	80254	171
7636	253	7818	293	80011	179	80053	219	80075	211	80076	229	80078	197	80254	173
7636	254	7851	263	80011	179	80053	221	80075	211	80076	229	80078	197	80254	173
7636	255	7852	263	80011	191	80053	221	80075	211	80076	233	80078	197	80254	177
7636	256	7882	290	80011	191	80053	223	80075	213	80076	233	80078	197	80254	177
7637	248	7883	290	80011	191	80053	223	80075	213	80076	235	80078	199	80254	179
7637	248	7886	253	80011	193	80053	233	80075	213	80076	235	80078	199	80254	179
7637	251	7887	253	80011	193	80053	233	80075	219	80077	171	80078	209	80254	191
7637	252	7888	254	80011	193	80053	235	80075	219	80077	171	80078	209	80254	191
7637	253	7889	254	80011	195	80053	235	80075	219	80077	173	80078	211	80254	191
7637	254	7890	255	80011	195	80054	177	80075	221	80077	173	80078	211	80254	191
7637	255	7891	255	80011	197	80055	177	80075	221	80077	177	80078	213	80254	191
7637	256	7892	256	80011	197	80057	167	80075	223	80077	177	80078	213	80254	191
7637	275	7893	256	80011	197	80058	167	80075	223	80077	179	80078	219	80254	193
7637	278	7894	252	80011	199	80060	167	80075	223	80077	179	80078	219	80254	193
7690	252	7895	252	80011	199	80061	167	80075	227	80077	191	80078	223	80254	193
7691	252	7896	253	80011	209	80063	197	80075	227	80077	191	80078	223	80254	193
7702	248	7897	253	80011	209	80064	197	80075	229	80077	191	80078	239	80254	193
7703	248	7898	254	80011	209	80065	197	80075	229	80077	191	80078	239	80254	193
7706	248	7899	254	80011	211	80067	187	80075	233	80077	193	80078	239	80254	197

Cod.	Pag.	Cod.	Pag.	Cod.	Pag.	Cod.	Pag.	Cod.	Pag.	Cod.	Pag.	Cod.	Pag.	Cod.	Pag.
80254	197	80255	213	80256	183	80257	179	80275	191	80354	221	80495	177	80641	15
80254	197	80255	219	80256	183	80257	183	80275	191	80354	221	80495	179	80642	15
80254	197	80255	219	80256	191	80257	183	80275	193	80354	223	80495	179	80643	15
80254	197	80255	223	80256	191	80257	183	80275	193	80354	223	80495	183	80644	15
80254	197	80255	223	80256	191	80257	191	80275	193	80354	233	80495	183	80645	15
80254	199	80255	227	80256	191	80257	191	80275	193	80354	233	80495	183	80646	15
80254	199	80255	227	80256	191	80257	191	80275	197	80354	235	80495	203	80647	15
80254	199	80255	229	80256	191	80257	191	80275	197	80354	235	80495	203	80648	13
80254	199	80255	229	80256	193	80257	191	80275	197	80377	167	80495	203	80649	13
80254	209	80255	233	80256	193	80257	191	80275	197	80378	167	80497	183	80650	12
80254	209	80255	233	80256	193	80257	193	80275	199	80400	167	80499	183	80651	12
80254	211	80255	235	80256	193	80257	193	80275	199	80409	181	80500	183	80652	17
80254	211	80255	235	80256	193	80257	193	80275	209	80410	181	80501	183	80653	17
80254	213	80256	171	80256	193	80257	193	80275	209	80411	181	80514	177	80654	17
80254	213	80256	171	80256	197	80257	193	80275	211	80412	181	80515	177	80655	17
80254	219	80256	171	80256	197	80257	193	80275	211	80413	183	80519	197	80656	17
80254	219	80256	171	80256	197	80257	197	80275	213	80414	183	80520	197	80657	17
80254	223	80256	171	80256	197	80257	197	80275	213	80445	167	80521	197	80658	18
80254	223	80256	171	80256	197	80257	197	80275	219	80446	167	80522	197	80659	18
80254	227	80256	171	80256	197	80257	197	80275	219	80447	167	80523	199	80660	18
80254	227	80256	171	80256	199	80257	197	80275	223	80448	167	80540	191	80663	21
80254	229	80256	171	80256	199	80257	197	80275	223	80449	167	80542	197	80664	24
80254	229	80256	171	80256	203	80257	199	80275	239	80450	167	80546	293	80665	24
80254	233	80256	171	80256	203	80257	199	80275	239	80451	167	80548	264	80666	24
80254	233	80256	171	80256	203	80257	203	80275	239	80453	181	80561	171	80667	26
80254	235	80256	171	80256	203	80257	203	80275	239	80454	181	80588	10	80668	34
80254	235	80256	173	80256	209	80257	203	80275	241	80455	181	80589	10	80669	34
80255	171	80256	173	80256	209	80257	209	80275	241	80464	181	80590	10	80670	34
80255	171	80256	173	80256	209	80257	209	80275	241	80476	197	80591	10	80671	34
80255	173	80256	173	80256	211	80257	209	80275	241	80477	177	80592	10	80672	34
80255	173	80256	173	80256	211	80257	211	80275	241	80478	177	80593	10	80673	34
80255	177	80256	173	80256	211	80257	211	80304	167	80479	183	80609	43	80675	35
80255	177	80256	173	80256	213	80257	211	80315	197	80480	197	80611	43	80676	28
80255	179	80256	173	80256	213	80257	213	80322	179	80481	197	80612	10	80677	28
80255	179	80256	173	80256	213	80257	213	80325	289	80483	191	80613	10	80678	36
80255	191	80256	173	80256	219	80257	213	80326	289	80485	181	80614	10	80679	36
80255	191	80256	173	80256	219	80257	219	80327	289	80486	181	80615	10	80680	36
80255	191	80256	173	80256	219	80257	219	80354	171	80494	171	80616	10	80681	43
80255	191	80256	173	80256	219	80257	219	80354	171	80494	171	80617	10	80682	43
80255	191	80256	177	80256	223	80257	219	80354	175	80494	171	80618	10	80683	43
80255	191	80256	177	80256	223	80257	223	80354	175	80494	171	80619	10	80684	43
80255	191	80256	177	80256	223	80257	223	80354	177	80494	173	80620	10	80685	43
80255	193	80256	177	80257	171	80257	223	80354	177	80494	173	80621	10	80686	43
80255	193	80256	177	80257	171	80258	177	80354	179	80494	173	80622	11	80687	44
80255	193	80256	177	80257	171	80259	177	80354	179	80494	177	80623	11	80688	44
80255	193	80256	177	80257	171	80260	179	80354	191	80494	177	80624	11	80693	289
80255	193	80256	177	80257	171	80261	179	80354	191	80494	177	80625	11	80694	289
80255	193	80256	177	80257	171	80262	187	80354	193	80494	179	80626	11	80695	177
80255	197	80256	177	80257	173	80263	187	80354	193	80494	179	80627	11	80697	167
80255	197	80256	177	80257	173	80264	191	80354	195	80494	183	80628	11	80699	167
80255	197	80256	177	80257	173	80265	197	80354	195	80494	183	80629	11	80701	171
80255	197	80256	177	80257	173	80266	199	80354	197	80494	183	80630	11	80702	259
80255	197	80256	177	80257	173	80271	10	80354	197	80494	203	80631	11	80703	259
80255	197	80256	179	80257	173	80275	171	80354	199	80494	203	80632	11	80704	259
80255	199	80256	179	80257	177	80275	171	80354	199	80494	203	80633	11	80705	259
80255	199	80256	179	80257	177	80275	173	80275	173	80495	171	80634	11	80706	259
80255	199	80256	179	80257	177	80275	173	80275	173	80495	171	80635	11	80707	259
80255	199	80256	179	80257	177	80275	177	80275	177	80495	171	80636	11	80708	259
80255	199	80256	179	80257	177	80275	177	80275	177	80495	173	80637	11	80709	259
80255	199	80256	179	80257	177	80275	177	80275	177	80495	173	80638	15	80710	259
80255	209	80256	179	80257	177	80275	179	80275	179	80495	173	80639	15	80711	259
80255	209	80256	179	80257	177	80275	179	80275	179	80495	177	80640	15	80712	177
80255	211	80256	179	80257	179	80275	179	80275	191	80354	219				
80255	211	80256	183	80257	179	80275	191	80354	219	80354	219				
80255	213	80256	183	80257	179	80275	191	80354	219	80354	219				

Cod.	Pag.	Cod.	Pag.	Cod.	Pag.	Cod.	Pag.	Cod.	Pag.	Cod.	Pag.	Cod.	Pag.	Cod.	Pag.
80713	179	80814	49	80914	293	80969	213	81029	291	82041	77	82120	294	82224	71
80714	293	80815	49	80915	293	80969	219	81030	291	82042	66	82121	294	82225	71
80715	293	80816	49	80916	293	80969	219	81031	293	82043	66	82122	294	82226	71
80716	293	80817	49	80917	293	80969	223	81032	294	82044	66	82123	294	82227	72
80717	293	80818	56	80918	293	80969	223	81043	171	82045	66	82124	20	82228	72
80718	293	80819	56	80919	293	80969	239	81045	177	82046	69	82125	20	82229	72
80724	167	80820	56	80920	293	80969	239	81047	171	82047	69	82126	20	82230	72
80749	44	80821	56	80921	294	80969	239	81049	171	82048	67	82127	19	82231	72
80753	10	80822	56	80922	294	80969	239	81050	171	82049	67	82128	19	82232	72
80754	25	80857	290	80923	294	80969	241	81051	171	82050	67	82129	19	82233	72
80755	17	80858	290	80924	294	80969	241	81052	177	82051	67	82130	19	82234	72
80756	17	80859	290	80925	294	80969	241	81053	191	82052	68	82131	19	82235	72
80757	17	80860	290	80926	294	80969	241	81054	191	82053	68	82132	19	82236	72
80759	20	80861	290	80927	294	80970	90	81055	191	82054	68	82134	262	82237	72
80760	25	80862	290	80928	294	80976	177	81056	191	82055	68	82135	262	82238	72
80761	25	80863	290	80929	294	80978	49	81057	167	82056	69	82136	264	82239	72
80762	25	80864	290	80930	294	80979	49	81058	167	82057	69	82137	264	82240	72
80764	12	80865	290	80931	294	80980	49	81059	181	82058	69	82138	268	82241	72
80765	12	80866	290	80932	294	80981	49	81060	181	82059	69	82139	268	82242	72
80766	12	80867	290	80933	294	80982	49	81061	181	82060	74	82140	269	82243	72
80767	12	80868	290	80934	294	80985	58	81062	187	82061	74	82141	269	82244	72
80768	12	80869	290	80935	294	80986	58	81063	187	82062	74	82144	271	82245	72
80769	12	80870	290	80936	294	80987	58	81064	187	82063	74	82145	271	82246	72
80770	12	80871	290	80937	294	80988	59	81065	187	82064	74	82146	272	82247	72
80771	12	80873	290	80938	294	80989	59	81066	187	82065	74	82147	272	82248	72
80772	90	80874	290	80939	294	80990	59	81067	187	82066	74	82148	273	82249	72
80773	90	80875	290	80940	294	80991	59	81068	187	82067	74	82149	273	82250	72
80774	90	80876	290	80941	294	80992	59	81069	187	82068	64	82150	19	82251	75
80775	90	80877	290	80953	291	80993	59	81135	37	82069	64	82151	19	82252	75
80776	90	80878	290	80958	57	80994	59	81137	37	82070	10	82152	19	82253	75
80777	90	80879	290	80959	57	80995	59	81139	37	82071	10	82154	75	82254	75
80778	29	80880	290	80960	57	80996	57	81147	36	82072	12	82155	75	82256	86
80779	29	80881	290	80961	57	80997	57	81148	36	82073	12	82156	75	82258	72
80780	29	80882	290	80962	57	80998	57	81176	17	82074	261	82157	75	82259	72
80786	267	80883	290	80963	57	80999	57	82000	96	82075	261	82173	289	82260	72
80787	44	80884	290	80969	171	81000	57	82001	96	82076	261	82174	289	82261	72
80788	44	80885	290	80969	171	81001	57	82002	95	82077	261	82175	289	82262	72
80789	171	80886	290	80969	173	81002	26	82003	93	82078	261	82176	289	82263	72
80790	13	80887	290	80969	173	81003	18	82004	93	82079	261	82177	289	82264	75
80791	13	80888	290	80969	177	81004	18	82005	92	82080	294	82178	289	82271	59
80792	13	80889	290	80969	177	81005	18	82010	56	82081	294	82179	289	82276	171
80793	13	80890	291	80969	179	81007	21	82013	294	82082	294	82180	289	82276	171
80794	13	80891	291	80969	179	81008	24	82017	73	82083	290	82181	289	82276	171
80795	13	80892	291	80969	191	81009	24	82018	73	82084	290	82182	289	82276	173
80796	13	80893	291	80969	191	81010	24	82019	73	82085	291	82183	289	82276	173
80797	13	80894	291	80969	191	81011	35	82020	73	82086	291	82184	289	82276	173
80798	49	80895	291	80969	191	81012	29	82021	73	82102	17	82201	70	82276	175
80799	49	80896	291	80969	193	81013	29	82022	73	82104	17	82202	70	82276	175
80800	49	80897	291	80969	193	81015	290	82023	73	82105	17	82203	70	82276	177
80801	49	80898	291	80969	193	81016	290	82024	73	82106	18	82204	70	82276	177
80802	49	80899	291	80969	193	81017	290	82029	197	82107	17	82205	71	82276	177
80803	49	80900	291	80969	197	81018	291	82030	197	82108	18	82206	71	82276	179
80804	49	80901	291	80969	197	81019	291	82031	197	82109	17	82207	71	82276	179
80805	49	80902	291	80969	197	81020	291	82032	86	82110	18	82208	71	82276	191
80806	49	80903	291	80969	197	81021	291	82033	87	82111	26	82215	87	82276	191
80807	49	80904	291	80969	199	81022	291	82034	87	82113	21	82217	87	82276	191
80808	49	80905	291	80969	199	81023	291	82035	34	82114	24	82218	87	82276	191
80809	49	80906	291	80969	209	81024	291	82036	34	82115	24	82219	70	82276	191
80810	49	80907	291	80969	209	81025	291	82037	34	82116	24	82220	70	82276	191
80811	49	80908	291	80969	211	81026	291	82038	63	82117	59	82221	70	82276	193
80812	49	80909	291	80969	211	81027	291	82039	63	82118	294	82222	70	82276	193
80813	49	80913	293	80969	213	81028	291	82040	77	82119	294	82223	71	82276	193

Cod.	Pag.	Cod.	Pag.	Cod.	Pag.	Cod.	Pag.	Cod.	Pag.	Cod.	Pag.	Cod.	Pag.	Cod.	Pag.
82276	193	82277	199	82278	233	82280	177	82281	191	82284	241	82305	197	82306	213
82276	193	82277	199	82278	233	82280	177	82281	193	82285	171	82305	197	82306	219
82276	193	82277	209	82278	235	82280	177	82281	193	82285	171	82305	197	82306	219
82276	195	82277	209	82278	235	82280	179	82281	193	82285	173	82305	197	82306	223
82276	195	82277	211	82279	171	82280	179	82281	193	82285	173	82305	197	82306	223
82276	197	82277	211	82279	171	82280	179	82281	197	82285	177	82305	199	82306	227
82276	197	82277	213	82279	175	82280	179	82281	197	82285	177	82305	199	82306	227
82276	197	82277	213	82279	175	82280	179	82281	197	82285	179	82305	199	82306	229
82276	197	82277	219	82279	177	82280	179	82281	197	82285	179	82305	199	82306	229
82276	197	82277	219	82279	177	82280	179	82281	199	82285	191	82305	209	82306	233
82276	197	82277	221	82279	179	82280	179	82281	199	82285	191	82305	209	82306	233
82276	199	82277	221	82279	179	82280	183	82281	203	82285	191	82305	211	82306	235
82276	199	82277	223	82279	191	82280	183	82281	203	82285	191	82305	211	82306	235
82276	209	82277	223	82279	191	82280	183	82281	209	82285	193	82305	213	82388	181
82276	209	82277	227	82279	193	82280	191	82281	209	82285	193	82305	213	82392	167
82276	209	82277	227	82279	193	82280	191	82281	211	82285	193	82305	219	82404	171
82276	211	82277	229	82279	195	82280	191	82281	211	82285	193	82305	219	82405	167
82276	211	82277	229	82279	195	82280	191	82281	213	82285	197	82305	223	82408	187
82276	211	82277	233	82279	197	82280	193	82281	213	82285	197	82305	223	82409	187
82276	213	82277	233	82279	197	82280	193	82281	219	82285	197	82305	227	82478	209
82276	213	82277	235	82279	199	82280	193	82281	219	82285	197	82305	227	82479	209
82276	213	82277	235	82279	199	82280	193	82281	223	82285	199	82305	229	82483	177
82276	219	82278	171	82279	209	82280	197	82281	223	82285	199	82305	229	82490	191
82276	219	82278	171	82279	209	82280	197	82284	171	82285	209	82305	233	82505	89
82276	219	82278	171	82279	211	82280	197	82284	171	82285	209	82305	233	82516	289
82276	221	82278	175	82279	211	82280	197	82284	173	82285	211	82305	235	82526	76
82276	221	82278	175	82279	213	82280	199	82284	173	82285	211	82305	235	82528	76
82276	223	82278	177	82279	213	82280	199	82284	177	82285	213	82306	171	82529	76
82276	223	82278	177	82279	219	82280	203	82284	177	82285	213	82306	171	82530	76
82276	223	82278	177	82279	219	82280	203	82284	179	82285	219	82306	173	82532	67
82276	227	82278	179	82279	221	82280	203	82284	179	82285	219	82306	173	82533	67
82276	227	82278	179	82279	221	82280	209	82284	191	82285	223	82306	177	82534	67
82276	229	82278	191	82279	223	82280	209	82284	191	82285	223	82306	177	82535	67
82276	229	82278	191	82279	223	82280	211	82284	191	82285	239	82306	179	82536	68
82276	233	82278	191	82279	233	82280	211	82284	191	82285	239	82306	179	82537	68
82276	233	82278	193	82279	233	82280	213	82284	193	82285	239	82306	191	82538	68
82276	235	82278	193	82279	235	82280	213	82284	193	82285	239	82306	191	82539	68
82276	235	82278	193	82279	235	82280	219	82284	193	82285	241	82306	191	82540	59
82277	171	82278	195	82280	171	82280	219	82284	193	82285	241	82306	191	82549	167
82277	171	82278	195	82280	171	82280	223	82284	197	82285	241	82306	191	82555	91
82277	173	82278	197	82280	171	82280	223	82284	197	82285	241	82306	191	82556	91
82277	173	82278	197	82280	171	82281	171	82284	197	82305	171	82306	193	82557	91
82277	175	82278	197	82280	171	82281	171	82284	197	82305	171	82306	193	82558	91
82277	175	82278	199	82280	171	82281	171	82284	199	82305	173	82306	193	82559	91
82277	177	82278	199	82280	171	82281	171	82284	199	82305	173	82306	193	82560	91
82277	177	82278	209	82280	171	82281	173	82284	209	82305	177	82306	193	82561	91
82277	179	82278	209	82280	171	82281	173	82284	209	82305	177	82306	193	82562	91
82277	179	82278	209	82280	173	82281	173	82284	211	82305	179	82306	197	82563	91
82277	191	82278	211	82280	173	82281	173	82284	211	82305	179	82306	197	82564	91
82277	191	82278	211	82280	173	82281	177	82284	213	82305	191	82306	197	82565	91
82277	191	82278	211	82280	173	82281	177	82284	213	82305	191	82306	197	82566	91
82277	191	82278	213	82280	173	82281	177	82284	219	82305	191	82306	197	82567	91
82277	193	82278	213	82280	173	82281	177	82284	219	82305	191	82306	197	82568	91
82277	193	82278	213	82280	173	82281	179	82284	223	82305	191	82306	199	82569	43
82277	193	82278	219	82280	173	82281	179	82284	223	82305	191	82306	199	82570	43
82277	193	82278	219	82280	173	82281	179	82284	239	82305	193	82306	199	82571	43
82277	195	82278	219	82280	177	82281	179	82284	239	82305	193	82306	199	82572	43
82277	195	82278	221	82280	177	82281	183	82284	239	82305	193	82306	209	82573	45
82277	197	82278	221	82280	177	82281	183	82284	239	82305	193	82306	209	82574	45
82277	197	82278	223	82280	177	82281	191	82284	241	82305	193	82306	211	82575	45
82277	197	82278	223	82280	177	82281	191	82284	241	82305	193	82306	211	82576	45
82277	197	82278	223	82280	177	82281	191	82284	241	82305	197	82306	213	82577	45

Cod.	Pag.	Cod.	Pag.	Cod.	Pag.	Cod.	Pag.	Cod.	Pag.	Cod.	Pag.	Cod.	Pag.	Cod.	Pag.
82578	44	82715	295	82789	74	82842	76	82991	167	83085	277	83088	213	83188	258
82579	89	82716	295	82797	70	82843	76	82992	270	83086	277	83088	213	83189	258
82580	74	82717	295	82804	171	82844	76	82993	167	83087	277	83088	219	83200	10
82581	74	82718	295	82804	171	82845	60	82994	270	83088	171	83088	219	83201	10
82582	74	82719	295	82804	171	82846	60	82998	11	83088	171	83088	223	83202	10
82583	74	82720	295	82804	171	82847	60	82999	11	83088	171	83088	223	83203	10
82584	74	82721	295	82804	173	82848	38	83003	102	83088	171	83089	128	83204	11
82585	74	82722	295	82804	173	82849	38	83004	102	83088	171	83090	150	83205	11
82586	74	82726	295	82804	173	82850	38	83005	103	83088	171	83091	150	83206	11
82587	74	82727	295	82804	173	82853	74	83006	103	83088	171	83092	150	83207	11
82588	40	82728	295	82804	177	82855	74	83007	111	83088	171	83093	150	83208	12
82590	289	82729	295	82804	177	82857	187	83021	128	83088	171	83094	150	83209	277
82591	289	82730	292	82804	177	82858	187	83023	209	83088	173	83095	150	83210	13
82611	71	82731	292	82804	177	82859	187	83025	213	83088	173	83096	150	83211	13
82612	71	82732	292	82804	179	82860	187	83027	207	83088	173	83097	150	83214	262
82613	71	82733	292	82804	179	82861	207	83029	213	83088	173	83098	150	83215	262
82614	71	82734	292	82804	179	82862	207	83031	207	83088	173	83099	150	83216	262
82615	71	82735	292	82804	179	82865	207	83033	207	83088	173	83100	150	83217	262
82616	71	82736	292	82804	183	82866	207	83035	191	83088	173	83101	150	83218	262
82617	71	82737	292	82804	183	82867	187	83036	191	83088	173	83102	181	83219	262
82618	71	82738	292	82804	191	82868	187	83037	197	83088	173	83103	181	83220	263
82619	71	82739	292	82804	191	82869	187	83038	197	83088	177	83110	12	83221	263
82620	71	82740	292	82804	191	82870	187	83039	209	83088	177	83113	42	83222	263
82621	71	82741	292	82804	191	82871	148	83040	207	83088	177	83115	61	83223	263
82622	71	82742	292	82804	193	82872	148	83041	209	83088	177	83116	39	83224	263
82624	72	82743	292	82804	193	82873	70	83042	213	83088	177	83117	61	83225	263
82625	72	82744	292	82804	193	82880	247	83043	284	83088	177	83128	88	83226	264
82626	72	82745	292	82804	193	82882	267	83044	213	83088	177	83138	88	83227	264
82627	72	82746	292	82804	197	82886	247	83045	191	83088	177	83145	277	83228	264
82628	72	82747	292	82804	197	82889	291	83046	191	83088	177	83155	277	83229	264
82629	72	82751	48	82804	197	82890	291	83047	191	83088	179	83156	254	83230	264
82630	75	82764	191	82804	197	82891	291	83048	197	83088	179	83157	254	83231	264
82632	13	82764	191	82804	199	82892	291	83049	197	83088	179	83158	255	83232	268
82633	13	82764	191	82804	199	82893	291	83050	197	83088	179	83159	255	83233	268
82640	29	82764	193	82804	203	82894	291	83052	284	83088	179	83160	256	83234	268
82652	177	82764	193	82804	203	82895	291	83053	284	83088	179	83161	256	83235	268
82658	60	82764	193	82804	209	82911	86	83054	284	83088	179	83162	258	83236	268
82664	89	82764	197	82804	209	82912	86	83055	284	83088	179	83163	258	83237	268
82680	149	82764	197	82804	211	82913	112	83056	284	83088	183	83164	259	83238	269
82681	149	82764	197	82804	211	82916	99	83057	284	83088	183	83165	259	83239	269
82682	86	82765	191	82804	213	82917	110	83058	284	83088	183	83166	257	83240	269
82683	29	82765	191	82804	213	82918	110	83059	284	83088	191	83167	257	83241	269
82695	292	82765	191	82804	219	82919	110	83060	284	83088	191	83168	257	83242	269
82696	292	82765	191	82804	219	82920	110	83061	284	83088	191	83169	257	83243	269
82697	292	82765	193	82804	223	82949	29	83062	284	83088	191	83170	257	83244	271
82698	292	82765	193	82804	223	82968	270	83063	284	83088	193	83171	257	83245	271
82699	292	82765	193	82805	40	82970	270	83064	284	83088	193	83172	257	83246	271
82700	292	82765	193	82806	41	82971	58	83065	284	83088	193	83173	257	83247	271
82701	292	82765	197	82807	41	82972	270	83066	284	83088	193	83174	257	83248	271
82702	292	82765	197	82808	41	82973	289	83067	284	83088	197	83175	257	83249	271
82703	292	82765	197	82809	98	82974	270	83068	284	83088	197	83176	257	83250	272
82704	292	82765	197	82810	98	82975	289	83073	277	83088	197	83177	257	83251	272
82705	292	82766	187	82811	99	82976	270	83074	277	83088	197	83178	257	83252	272
82706	292	82767	187	82812	63	82977	289	83075	277	83088	199	83179	257	83253	272
82707	295	82770	207	82813	63	82978	270	83076	277	83088	199	83180	257	83254	272
82708	295	82771	207	82827	77	82980	270	83077	277	83088	203	83181	257	83255	272
82709	295	82772	209	82828	77	82982	270	83078	277	83088	203	83182	257	83256	273
82710	295	82773	213	82829	77	82984	270	83079	277	83088	203	83183	257	83257	273
82711	295	82774	207	82830	77	82986	270	83081	277	83088	209	83184	258	83258	273
82712	295	82775	207	82831	77	82987	197	83082	277	83088	209	83185	258	83259	273
82713	295	82776	209	82833	74	82988	270	83083	277	83088	211	83186	258	83260	273
82714	295	82777	213	82841	76	82990	270	83084	277	83088	211	83187	258	83261	273

Cod.	Pag.	Cod.	Pag.	Cod.	Pag.	Cod.	Pag.	Cod.	Pag.	Cod.	Pag.	Cod.	Pag.	Cod.	Pag.
83262	270	83395	47	83540	283	83615	187	83757	286	83825	275	83907	199	84011	203
83263	277	83396	47	83541	283	83616	187	83758	286	83826	275	83908	191	84012	203
83264	270	83398	40	83542	283	83617	187	83759	286	83827	275	83911	290	84013	203
83266	252	83399	40	83543	283	83626	133	83760	286	83828	179	83912	290	84014	187
83267	252	83403	177	83544	283	83627	284	83761	286	83829	179	83913	290	84015	187
83268	253	83404	177	83545	283	83637	284	83762	279	83831	274	83914	291	84016	187
83269	253	83405	177	83546	283	83640	35	83763	279	83860	152	83915	291	84017	187
83270	254	83410	259	83547	283	83642	73	83764	279	83866	253	83916	290	84018	187
83271	254	83410	264	83548	283	83649	91	83765	279	83871	48	83917	290	84019	191
83272	254	83410	266	83549	283	83651	284	83766	279	83881	135	83918	290	84020	197
83273	254	83411	151	83550	283	83652	163	83767	279	83882	132	83919	290	84021	201
83274	254	83412	151	83551	283	83653	163	83768	279	83890	129	83920	290	84022	201
83275	254	83413	151	83552	283	83682	215	83769	279	83895	91	83921	290	84023	201
83276	255	83414	151	83553	283	83683	215	83770	279	83899	209	83922	290	84024	201
83277	255	83415	151	83554	283	83684	215	83771	279	83901	171	83923	290	84025	61
83278	255	83416	151	83555	283	83685	215	83772	279	83901	171	83924	290	84038	167
83279	255	83417	151	83556	283	83686	215	83773	279	83901	173	83925	290	84039	167
83280	255	83418	151	83557	283	83687	215	83774	279	83901	173	83926	290	84040	167
83281	255	83419	151	83558	280	83688	219	83775	279	83901	177	83927	293	84041	167
83282	256	83420	151	83559	280	83689	219	83776	279	83901	177	83928	293	84042	171
83283	256	83421	151	83560	280	83690	219	83777	279	83901	179	83929	293	84043	177
83284	256	83422	151	83561	280	83691	223	83778	279	83901	179	83930	294	84044	177
83285	256	83423	151	83562	280	83692	223	83779	279	83901	191	83931	294	84045	179
83286	256	83424	151	83563	280	83693	223	83784	275	83901	191	83932	294	84046	179
83287	256	83425	151	83564	280	83696	215	83785	275	83901	191	83933	294	84048	207
83288	257	83441	135	83565	280	83697	215	83786	275	83901	191	83934	290	84049	207
83289	257	83442	133	83566	280	83698	215	83787	275	83901	191	83958	274	84050	207
83290	257	83445	163	83567	280	83699	215	83788	275	83901	191	83959	274	84051	207
83291	257	83446	163	83568	280	83700	215	83789	275	83901	193	83960	274	84052	207
83292	257	83449	163	83569	280	83701	215	83790	275	83901	193	83961	274	84053	207
83293	257	83450	163	83570	280	83702	219	83791	275	83901	193	83962	274	84054	207
83294	258	83451	163	83571	280	83703	219	83792	275	83901	193	83963	274	84055	207
83295	258	83452	163	83572	280	83704	219	83793	275	83901	193	83964	274	84056	209
83296	258	83461	183	83573	280	83705	223	83794	275	83901	193	83965	274	84057	209
83297	258	83462	171	83574	287	83706	223	83795	275	83901	197	83966	274	84058	209
83298	259	83465	284	83575	287	83707	223	83796	275	83901	197	83967	274	84059	209
83299	259	83466	167	83576	287	83717	153	83797	275	83901	197	83968	274	84060	213
83300	259	83467	167	83577	287	83718	153	83798	275	83901	197	83969	274	84061	213
83301	259	83468	177	83578	287	83719	153	83799	275	83901	197	83970	274	84062	213
83302	39	83473	106	83579	287	83720	153	83800	275	83901	197	83971	274	84063	213
83303	39	83474	106	83580	287	83721	154	83801	275	83901	199	83973	141	84069	65
83304	48	83475	107	83581	287	83722	154	83802	282	83901	199	83985	197	84070	65
83305	48	83476	107	83582	287	83723	154	83803	282	83901	199	83989	187	84071	65
83306	48	83503	63	83583	287	83724	154	83804	282	83901	199	83990	187	84072	65
83307	72	83504	63	83584	287	83725	155	83805	282	83901	209	83991	187	84076	215
83309	72	83520	179	83585	287	83726	155	83806	282	83901	209	83992	191	84077	215
83313	72	83524	276	83586	287	83727	155	83807	282	83901	211	83993	191	84078	215
83314	72	83525	276	83587	287	83733	132	83808	282	83901	211	83994	191	84079	215
83319	119	83526	276	83588	287	83735	132	83809	282	83901	213	83995	197	84080	219
83331	69	83527	276	83589	287	83744	286	83810	282	83901	213	83996	197	84081	219
83357	116	83528	276	83590	287	83745	286	83811	282	83901	219	83997	197	84082	223
83359	116	83529	276	83591	287	83746	286	83812	282	83901	219	83999	201	84083	223
83361	117	83530	276	83592	276	83747	286	83813	282	83901	223	84000	201	84085	138
83363	117	83531	276	83593	276	83748	286	83814	282	83901	223	84001	201	84086	138
83372	120	83532	276	83594	280	83749	286	83815	282	83901	227	84002	201	84087	154
83378	149	83533	276	83595	280	83750	286	83816	282	83901	227	84003	201	84091	147
83380	118	83534	276	83606	147	83751	286	83817	282	83901	229	84005	201	84100	171
83390	46	83535	276	83607	147	83752	286	83818	282	83901	229	84006	201	84100	171
83391	46	83536	276	83608	147	83753	286	83819	282	83901	233	84007	203	84100	171
83392	46	83537	276	83611	167	83754	286	83822	275	83901	233	84008	203	84100	175
83393	46	83538	276	83613	167	83755	286	83823	275	83901	235	84009	203	84100	175
83394	46	83539	276	83614	187	83756	286	83824	275	83901	235	84010	201	84100	177

Cod.	Pag.	Cod.	Pag.	Cod.	Pag.	Cod.	Pag.	Cod.	Pag.	Cod.	Pag.	Cod.	Pag.	Cod.	Pag.
84100	177	84155	296	84288	251	84501	167	84580	167	84642	177	84704	191	84768	215
84100	177	84156	296	84289	251	84502	167	84581	167	84643	177	84705	191	84769	215
84100	179	84157	296	84290	251	84503	181	84582	167	84644	187	84706	197	84770	215
84100	179	84158	296	84303	132	84505	183	84583	167	84645	187	84707	197	84771	215
84100	191	84159	296	84304	73	84506	187	84584	167	84646	187	84708	197	84772	215
84100	191	84160	296	84305	73	84507	187	84585	167	84647	187	84709	197	84773	215
84100	191	84161	296	84306	73	84508	187	84586	167	84648	187	84710	197	84774	219
84100	193	84162	296	84307	73	84509	187	84587	167	84649	187	84711	197	84775	219
84100	193	84165	142	84308	73	84510	191	84588	167	84650	187	84712	197	84776	219
84100	193	84166	143	84309	289	84511	191	84589	167	84651	187	84713	197	84777	219
84100	195	84167	143	84311	289	84513	197	84590	167	84652	187	84714	197	84778	219
84100	195	84168	143	84316	42	84514	197	84591	167	84653	187	84715	197	84779	219
84100	197	84169	143	84318	267	84515	187	84592	167	84654	187	84718	207	84780	219
84100	197	84180	73	84323	16	84516	187	84593	167	84655	187	84719	207	84781	219
84100	197	84182	126	84324	14	84517	191	84594	167	84656	187	84720	207	84782	223
84100	199	84183	126	84325	16	84518	191	84595	167	84657	187	84721	207	84783	223
84100	199	84185	126	84326	16	84519	197	84596	167	84658	187	84722	207	84784	223
84100	209	84190	283	84327	51	84520	197	84597	167	84659	187	84723	207	84785	223
84100	209	84191	284	84328	33	84521	201	84598	167	84660	191	84724	207	84786	223
84100	209	84193	286	84329	33	84522	203	84599	167	84661	191	84725	207	84787	223
84100	211	84195	287	84330	33	84523	207	84600	167	84662	191	84726	207	84788	223
84100	211	84196	135	84331	33	84524	207	84601	167	84663	191	84727	207	84789	223
84100	211	84197	135	84332	33	84525	207	84602	167	84664	191	84728	207	84796	183
84100	213	84198	133	84333	33	84526	207	84603	167	84665	191	84729	207	84797	183
84100	213	84199	133	84334	31	84527	209	84604	167	84666	191	84730	207	84798	183
84100	213	84207	159	84335	31	84528	209	84605	167	84667	191	84731	207	84800	134
84100	219	84208	162	84336	31	84529	213	84606	167	84668	197	84732	207	84801	134
84100	219	84209	162	84337	31	84530	213	84607	167	84669	197	84733	207	84802	134
84100	219	84222	286	84338	31	84531	215	84608	167	84670	197	84734	207	84803	134
84100	221	84223	286	84339	31	84532	215	84609	167	84671	197	84735	207	84804	134
84100	221	84226	35	84440	14	84533	215	84610	167	84672	197	84736	207	84805	134
84100	223	84234	191	84442	51	84534	215	84611	167	84673	197	84737	207	84806	134
84100	223	84238	219	84443	51	84535	219	84612	171	84674	197	84738	209	84807	134
84100	223	84239	154	84444	151	84536	219	84613	171	84675	197	84739	209	84808	135
84100	233	84244	87	84445	151	84537	223	84614	171	84676	187	84740	209	84809	135
84100	233	84245	87	84446	151	84538	223	84615	171	84677	187	84741	209	84810	135
84100	235	84246	87	84473	37	84539	187	84616	171	84678	187	84742	209	84811	135
84100	235	84247	87	84474	138	84540	187	84617	171	84679	187	84743	209	84814	86
84107	197	84251	87	84475	138	84541	201	84618	171	84680	187	84744	209	84815	177
84109	48	84253	87	84476	138	84542	35	84619	171	84681	187	84745	209	84816	120
84113	159	84255	191	84477	138	84543	35	84620	171	84682	187	84746	209	84817	119
84119	40	84258	48	84478	139	84544	35	84621	171	84683	187	84747	209	84818	118
84120	40	84259	48	84479	150	84545	89	84622	171	84684	187	84748	213	84819	285
84121	138	84260	42	84480	150	84546	89	84623	171	84685	187	84749	213	84820	285
84122	138	84270	251	84481	150	84547	114	84624	171	84686	187	84750	213	84821	285
84123	139	84271	251	84482	150	84548	98	84625	171	84687	187	84751	213	84822	285
84124	39	84272	251	84483	150	84549	98	84626	171	84688	187	84752	213	84823	285
84128	30	84273	251	84485	51	84550	99	84627	171	84689	187	84753	213	84824	285
84130	30	84274	251	84486	51	84551	99	84628	177	84690	187	84754	213	84825	285
84131	126	84275	251	84487	50	84552	102	84629	177	84691	187	84755	213	84826	285
84132	15	84276	251	84488	50	84553	102	84630	177	84692	187	84756	213	84827	285
84133	15	84277	251	84490	167	84555	103	84631	177	84693	187	84757	213	84828	285
84134	283	84278	251	84491	167	84556	103	84632	177	84694	187	84758	215	84829	285
84135	286	84279	251	84492	167	84557	106	84633	177	84695	187	84759	215	84830	285
84136	287	84280	251	84493	171	84558	106	84634	177	84696	191	84760	215	84837	278
84145	209	84281	251	84494	171	84559	107	84635	177	84697	191	84761	215	84838	278
84146	179	84282	251	84495	171	84560	107	84636	177	84698	191	84762	215	84839	278
84147	179	84283	251	84496	177	84563	88	84637	177	84699	191	84763	215	84840	278
84148	199	84284	251	84497	177	84575	95	84638	177	84700	191	84764	215	84841	278
84150	199	84285	251	84498	177	84576	92	84639	177	84701	191	84765	215	84842	278
84153	296	84286	251	84499	181	84577	139	84640	177	84702	191	84766	215	84843	278
84154	296	84287	251	84500	167	84578	139	84641	177	84703	191	84767	215	84844	278

Cod.	Pag.	Cod.	Pag.	Cod.	Pag.	Cod.	Pag.	Cod.	Pag.	Cod.	Pag.	Cod.	Pag.	Cod.	Pag.
84845	278	84948	138	85083	97	85151	290	85206	193	85324	219	85384	211	85385	229
84846	278	84949	138	85084	94	85152	290	85206	197	85325	191	85384	211	85385	233
84847	278	84950	138	85085	94	85153	291	85215	30	85332	209	85384	213	85385	233
84848	278	84951	138	85086	97	85154	291	85217	187	85337	67	85384	213	85385	235
84849	278	84952	138	85087	97	85155	291	85218	187	85338	67	85384	213	85385	235
84850	278	84953	138	85088	285	85156	291	85219	187	85339	67	85384	219	85386	209
84851	278	84954	138	85089	285	85157	293	85220	187	85340	67	85384	219	85388	187
84852	278	84955	138	85090	294	85158	294	85221	187	85343	191	85384	219	85400	160
84853	278	84956	138	85091	294	85159	294	85222	187	85346	73	85384	221	85416	78
84854	278	84957	138	85092	294	85160	294	85223	187	85347	73	85384	221	85417	78
84855	278	84961	52	85093	55	85161	294	85224	187	85348	73	85384	223	85418	78
84856	278	84979	187	85094	55	85162	294	85225	191	85349	73	85384	223	85419	78
84857	278	84980	187	85095	55	85163	294	85226	191	85355	137	85384	223	85420	78
84862	278	84981	187	85096	89	85164	282	85227	191	85356	137	85384	227	85421	78
84863	278	84982	187	85097	55	85165	282	85228	191	85357	137	85384	227	85422	78
84864	278	84983	191	85098	55	85166	61	85229	197	85358	137	85384	229	85423	78
84865	89	84984	191	85099	55	85167	61	85230	197	85374	121	85384	229	85424	79
84866	181	84985	197	85100	55	85168	61	85231	197	85375	122	85384	233	85425	79
84867	181	84986	197	85101	51	85169	61	85232	197	85376	123	85384	233	85426	79
84868	89	84989	201	85108	10	85170	251	85233	199	85377	121	85384	235	85427	79
84869	48	84990	201	85109	10	85171	255	85234	199	85378	122	85384	235	85428	79
84870	37	84991	181	85110	12	85172	255	85235	113	85379	123	85385	171	85429	79
84875	167	84992	181	85111	12	85173	255	85237	137	85381	48	85385	171	85430	79
84876	167	84993	201	85112	13	85174	255	85238	137	85384	171	85385	173	85431	79
84877	167	84994	130	85113	13	85180	167	85239	53	85384	171	85385	173	85435	84
84878	167	84995	130	85114	15	85181	167	85240	53	85384	171	85385	175	85436	85
84883	171	84996	130	85115	15	85182	171	85241	32	85384	173	85385	175	85441	215
84884	171	84997	130	85116	251	85183	177	85242	32	85384	173	85385	177	85443	215
84887	177	84998	130	85117	252	85184	147	85246	179	85384	173	85385	177	85445	215
84888	177	84999	130	85118	253	85185	147	85247	179	85384	175	85385	179	85446	215
84891	187	85000	130	85119	254	85186	69	85248	179	85384	175	85385	179	85447	215
84892	187	85001	130	85120	254	85200	207	85249	179	85384	177	85385	191	85448	215
84893	187	85002	93	85121	254	85202	171	85250	179	85384	177	85385	191	85449	215
84894	187	85003	93	85122	254	85202	173	85251	179	85384	177	85385	191	85450	215
84899	191	85004	92	85123	256	85202	177	85252	179	85384	179	85385	191	85451	219
84900	191	85005	96	85124	256	85202	191	85253	179	85384	179	85385	193	85452	219
84903	197	85006	96	85125	256	85202	191	85254	179	85384	191	85385	193	85453	219
84904	197	85007	95	85126	256	85202	193	85255	179	85384	191	85385	193	85454	219
84907	207	85009	55	85127	257	85202	193	85256	179	85384	191	85385	193	85455	223
84908	207	85021	171	85128	257	85202	197	85257	179	85384	191	85385	195	85456	223
84909	207	85031	92	85129	257	85202	197	85258	179	85384	191	85385	195	85457	223
84910	207	85032	95	85130	257	85202	209	85259	179	85384	191	85385	197	85458	223
84915	209	85063	62	85131	258	85202	211	85260	179	85384	193	85385	197	85459	121
84916	209	85064	62	85132	258	85202	213	85261	179	85384	193	85385	197	85460	122
84919	213	85065	148	85133	258	85202	219	85262	179	85384	193	85385	197	85461	123
84920	213	85066	148	85134	259	85202	223	85263	179	85384	193	85385	199	85462	74
84923	215	85067	91	85135	259	85203	171	85264	199	85384	193	85385	199	85463	74
84924	215	85068	86	85136	259	85203	177	85265	199	85384	193	85385	209	85464	74
84925	215	85069	86	85137	262	85203	191	85266	199	85384	195	85385	209	85465	74
84926	215	85070	86	85138	263	85203	193	85267	199	85384	195	85385	211	85466	74
84931	219	85071	86	85139	264	85203	197	85268	199	85384	197	85385	211	85467	121
84932	219	85072	86	85140	251	85203	209	85269	199	85384	197	85385	213	85468	122
84936	223	85073	86	85141	289	85203	211	85270	199	85384	197	85385	213	85469	123
84937	223	85074	87	85142	290	85203	213	85271	199	85384	197	85385	219	85470	48
84940	139	85075	87	85143	290	85203	219	85272	118	85384	197	85385	219	85473	144
84941	139	85076	87	85144	290	85203	223	85273	119	85384	197	85385	221	85476	141
84942	138	85077	87	85145	290	85204	171	85274	120	85384	199	85385	221	85484	133
84943	138	85078	87	85146	290	85204	173	85275	52	85384	199	85385	223	85486	133
84944	138	85079	87	85147	290	85204	177	85276	171	85384	209	85385	223	85488	133
84945	138	85080	94	85148	290	85204	183	85308	142	85384	209	85385	227	85512	191
84946	138	85081	94	85149	290	85204	203	85309	142	85384	209	85385	227	85513	171
84947	138	85082	97	85150	290	85206	191	85313	203	85384	211	85385	229	85520	291

Cod.	Pag.	Cod.	Pag.	Cod.	Pag.	Cod.	Pag.	Cod.	Pag.	Cod.	Pag.	Cod.	Pag.	Cod.	Pag.
85522	291	85632	229	85753	260	85850	162	85917	285	85982	105	86091	69	86165	136
85523	167	85633	229	85754	260	85853	252	85918	285	85983	105	86093	257	86166	136
85524	167	85634	191	85755	260	85854	284	85919	285	85984	117	86096	160	86167	187
85525	187	85644	207	85756	265	85856	284	85920	285	85985	117	86097	167	86169	171
85526	187	85647	237	85758	265	85858	284	85921	285	86002	114	86100	167	86173	17
85527	187	85649	237	85760	265	85859	284	85922	285	86004	199	86102	167	86179	219
85528	187	85651	237	85762	265	85860	284	85923	285	86005	199	86103	231	86189	27
85529	167	85653	237	85765	260	85861	284	85924	285	86006	281	86104	231	86190	27
85530	167	85655	237	85766	265	85862	284	85925	285	86007	281	86105	231	86191	27
85531	187	85657	237	85767	265	85863	284	85926	285	86008	281	86106	231	86192	27
85532	187	85659	237	85768	265	85864	284	85927	285	86009	281	86107	231	86193	22
85541	138	85661	237	85769	265	85865	284	85928	286	86011	281	86108	231	86194	22
85542	296	85663	239	85770	265	85866	284	85929	286	86012	281	86109	231	86195	22
85548	152	85665	239	85771	265	85867	284	85930	286	86013	281	86110	231	86196	22
85552	111	85666	239	85772	265	85868	284	85931	286	86014	281	86111	233	86197	22
85561	108	85667	239	85773	265	85869	284	85932	286	86015	281	86112	233	86198	22
85562	109	85668	241	85774	265	85870	284	85933	286	86020	281	86113	233	86199	22
85563	109	85669	241	85775	265	85872	284	85934	286	86021	241	86114	233	86215	127
85566	48	85670	241	85776	265	85873	284	85935	286	86022	241	86115	235	86218	280
85568	207	85671	241	85777	265	85874	282	85936	286	86023	241	86116	235	86219	279
85569	151	85672	231	85778	265	85875	282	85937	286	86024	241	86117	235	86220	277
85570	151	85673	231	85779	265	85876	282	85938	286	86025	237	86118	235	86221	276
85584	104	85674	231	85780	260	85877	282	85939	286	86026	237	86119	270	86231	158
85585	100	85675	231	85780	265	85878	282	85940	286	86027	237	86120	231	86691	61
85588	136	85676	231	85781	265	85879	282	85941	286	86028	237	86121	270	86692	61
85589	136	85677	231	85782	265	85880	282	85942	286	86029	237	86122	231	86693	42
85590	136	85678	231	85783	265	85881	282	85943	286	86030	237	86123	270	86695	109
85591	136	85679	231	85784	265	85882	282	85944	286	86031	237	86124	231	86696	108
85592	48	85680	233	85785	265	85883	282	85945	286	86032	237	86125	270	86697	179
85598	54	85681	233	85786	265	85884	282	85949	287	86033	239	86126	231	86698	171
85599	54	85682	233	85787	265	85885	282	85950	287	86034	239	86127	270	86699	219
85600	54	85683	233	85788	265	85886	282	85951	287	86035	239	86128	231	86707	48
85601	225	85684	235	85789	265	85887	282	85952	287	86036	239	86129	270	86708	48
85603	225	85685	235	85790	265	85888	282	85953	287	86037	288	86130	231	86710	54
85604	225	85686	235	85791	265	85889	282	85954	287	86038	288	86131	270	86711	54
85605	225	85687	235	85793	265	85890	282	85955	287	86039	288	86132	231	86712	54
85606	225	85709	191	85795	265	85891	282	85956	287	86040	288	86133	270	86717	118
85607	225	85710	209	85796	146	85892	282	85957	287	86041	288	86134	231	86718	119
85608	225	85711	209	85797	265	85893	282	85958	287	86042	288	86135	270	86719	120
85609	225	85712	267	85799	265	85894	283	85959	287	86043	288	86136	233	86722	171
85610	227	85713	267	85802	92	85895	283	85960	287	86044	288	86137	270	86722	171
85611	227	85714	267	85803	92	85896	283	85961	287	86045	288	86138	233	86722	171
85612	227	85715	267	85804	93	85897	283	85962	287	86046	288	86139	270	86722	171
85613	227	85716	267	85805	93	85898	283	85963	287	86047	288	86140	233	86722	173
85614	229	85717	267	85806	94	85899	283	85964	287	86048	288	86141	270	86722	173
85615	229	85736	260	85807	94	85900	283	85965	287	86049	288	86142	233	86722	173
85616	229	85737	260	85808	95	85901	283	85966	287	86050	288	86143	270	86722	173
85617	229	85738	260	85809	95	85902	283	85967	287	86052	288	86144	235	86722	177
85618	225	85739	260	85810	96	85903	283	85968	287	86053	288	86145	270	86722	177
85619	225	85740	260	85811	96	85904	283	85969	80	86054	288	86146	235	86722	177
85620	225	85741	260	85812	97	85905	283	85970	80	86055	288	86147	270	86722	177
85621	225	85742	260	85813	97	85906	283	85971	80	86056	288	86148	235	86722	179
85622	225	85743	260	85821	183	85907	283	85972	80	86057	288	86149	270	86722	179
85623	225	85744	260	85826	116	85908	283	85973	80	86058	288	86150	235	86722	179
85624	225	85745	260	85828	116	85909	283	85974	80	86059	288	86151	45	86722	179
85625	225	85746	260	85834	207	85910	283	85975	80	86060	288	86152	45	86722	183
85626	227	85747	260	85835	209	85911	283	85976	80	86061	288	86153	45	86722	183
85627	227	85748	260	85836	207	85912	283	85977	152	86062	288	86154	45	86722	191
85628	227	85749	260	85837	207	85913	283	85978	100	86063	288	86156	45	86722	191
85629	227	85750	260	85838	207	85914	285	85979	101	86081	171	86162	187	86722	191
85630	229	85751	260	85839	207	85915	285	85980	101	86082	199	86163	136	86722	191
85631	229	85752	260	85840	219	85916	285	85981	104	86083	197	86164	136	86722	193

Cod.	Pag.	Cod.	Pag.	Cod.	Pag.	Cod.	Pag.	Cod.	Pag.	Cod.	Pag.	Cod.	Pag.	Cod.	Pag.
86722	193	86785	253	87025	45	87218	197	87259	227	87275	177	87328	271	87435	191
86722	193	86786	252	87026	45	87219	199	87259	227	87275	183	87329	271	87436	171
86722	193	86787	253	87027	45	87220	199	87259	229	87275	203	87330	272	87437	171
86722	197	86788	255	87028	45	87221	187	87259	229	87276	191	87331	272	87438	171
86722	197	86789	256	87029	45	87222	187	87259	233	87276	193	87332	273	87439	171
86722	197	86790	257	87030	45	87223	187	87259	233	87276	197	87333	273	87440	171
86722	197	86791	255	87031	45	87224	187	87259	235	87277	171	87334	274	87442	187
86722	199	86792	258	87032	45	87225	191	87259	235	87277	171	87335	283	87443	272
86722	199	86793	258	87033	45	87226	191	87264	69	87277	173	87336	283	87445	273
86722	203	86794	254	87034	45	87227	197	87270	191	87277	173	87337	282	87450	209
86722	203	86795	254	87035	45	87228	197	87270	191	87277	177	87338	282	87456	191
86722	209	86796	167	87036	45	87229	199	87270	191	87277	177	87339	284	87457	167
86722	209	86797	250	87037	45	87230	199	87270	193	87277	179	87340	284	87458	167
86722	211	86797	256	87038	45	87235	201	87270	193	87277	179	87341	286	87465	74
86722	211	86797	266	87039	45	87237	201	87270	193	87277	183	87342	286	87466	74
86722	213	86805	225	87040	45	87248	177	87270	197	87277	183	87343	287	87467	74
86722	213	86815	227	87041	45	87252	130	87270	197	87277	203	87344	287	87468	74
86722	219	86980	124	87042	45	87254	143	87270	197	87277	203	87345	288	87469	185
86722	219	86981	124	87043	45	87255	143	87271	171	87281	273	87346	288	87470	185
86722	223	86982	124	87044	112	87256	143	87271	171	87282	273	87347	285	87475	185
86722	223	86983	124	87055	167	87257	203	87271	173	87283	273	87348	285	87476	185
86726	133	86984	124	87079	140	87258	203	87271	173	87284	273	87351	50	87481	185
86727	86	86985	124	87080	140	87259	171	87271	177	87285	273	87355	113	87482	185
86728	86	86986	124	87081	139	87259	171	87271	177	87286	273	87357	83	87487	185
86729	160	86987	124	87082	139	87259	173	87271	179	87287	273	87358	83	87488	185
86730	160	86988	124	87083	139	87259	173	87271	179	87288	273	87359	83	87493	205
86738	225	86989	124	87084	139	87259	177	87271	183	87289	273	87360	83	87494	205
86750	252	86990	124	87085	139	87259	177	87271	183	87290	273	87361	50	87499	205
86751	252	86991	124	87086	139	87259	179	87271	203	87291	273	87362	201	87500	205
86752	252	86992	125	87112	207	87259	179	87271	203	87292	273	87363	201	87505	205
86753	252	86993	125	87113	207	87259	191	87272	191	87293	273	87364	89	87506	205
86754	252	86994	125	87114	167	87259	191	87272	191	87294	273	87365	89	87511	205
86755	252	86995	125	87115	167	87259	191	87272	193	87295	273	87366	89	87512	205
86756	252	86996	125	87116	167	87259	191	87272	193	87296	272	87367	89	87520	90
86757	252	86997	125	87117	167	87259	191	87272	197	87297	272	87377	140	87521	90
86758	252	86998	124	87118	136	87259	191	87272	197	87298	272	87378	140	87522	90
86759	252	86999	124	87119	136	87259	193	87273	171	87299	272	87379	74	87523	90
86760	252	87000	22	87120	136	87259	193	87273	173	87300	272	87380	35	87526	219
86761	252	87001	22	87121	136	87259	193	87273	177	87301	272	87381	35	87528	171
86762	252	87002	22	87128	266	87259	193	87273	191	87302	272	87382	35	87528	171
86763	252	87003	22	87150	171	87259	193	87273	191	87303	272	87384	74	87528	171
86764	253	87004	22	87153	161	87259	193	87273	193	87304	272	87385	75	87528	171
86765	253	87005	23	87155	171	87259	197	87273	193	87305	272	87388	75	87528	171
86766	253	87006	23	87156	131	87259	197	87273	197	87306	272	87390	75	87528	171
86767	253	87007	23	87159	21	87259	197	87273	197	87307	272	87394	187	87528	171
86768	253	87008	23	87166	191	87259	197	87273	209	87308	272	87395	187	87528	171
86769	253	87009	23	87167	191	87259	197	87273	211	87309	272	87414	125	87528	171
86770	253	87010	23	87189	143	87259	197	87273	213	87310	50	87415	125	87528	173
86771	253	87011	23	87193	273	87259	199	87273	219	87311	50	87416	215	87528	173
86772	253	87012	23	87195	183	87259	199	87273	223	87315	264	87417	215	87528	173
86773	253	87013	144	87203	177	87259	199	87274	171	87316	262	87422	207	87528	173
86774	253	87014	115	87204	177	87259	199	87274	177	87317	262	87423	207	87528	173
86775	253	87015	115	87205	177	87259	209	87274	191	87318	263	87424	138	87528	173
86776	253	87016	145	87209	187	87259	209	87274	193	87319	263	87425	189	87528	173
86777	253	87017	145	87210	187	87259	211	87274	197	87320	265	87426	189	87528	173
86778	252	87018	145	87211	187	87259	211	87274	209	87321	265	87427	195	87528	173
86779	252	87019	145	87212	187	87259	213	87274	211	87322	268	87429	207	87528	177
86780	252	87020	145	87213	187	87259	213	87274	213	87323	268	87430	207	87528	177
86781	252	87021	146	87214	187	87259	219	87274	219	87324	269	87431	207	87528	177
86782	253	87022	146	87215	191	87259	219	87274	223	87325	269	87432	207	87528	177
86783	253	87023	146	87216	191	87259	223	87275	171	87326	270	87433	191	87528	177
86784	253	87024	45	87217	197	87259	223	87275	173	87327	270	87434	191	87528	177

Cod.	Pag.	Cod.	Pag.	Cod.	Pag.	Cod.	Pag.	Cod.	Pag.	Cod.	Pag.	Cod.	Pag.	Cod.	Pag.
87528	177	87530	191	87531	223	87541	179	87542	193	87543	197	87544	241	87557	183
87528	177	87530	193	87531	223	87541	191	87542	193	87543	199	87545	171	87557	203
87528	177	87530	193	87531	223	87541	191	87542	193	87543	199	87545	171	87557	203
87528	179	87530	195	87531	233	87541	191	87542	193	87543	209	87545	173	87559	191
87528	179	87530	195	87531	233	87541	191	87542	195	87543	209	87545	173	87559	191
87528	179	87530	197	87531	235	87541	191	87542	195	87543	211	87545	177	87559	191
87528	179	87530	197	87531	235	87541	191	87542	197	87543	211	87545	177	87559	193
87528	179	87530	199	87540	171	87541	193	87542	197	87543	213	87545	179	87559	193
87528	179	87530	199	87540	171	87541	193	87542	197	87543	213	87545	179	87559	193
87528	179	87530	209	87540	173	87541	193	87542	197	87543	219	87545	191	87559	197
87528	179	87530	209	87540	173	87541	193	87542	197	87543	219	87545	191	87559	197
87528	183	87530	211	87540	177	87541	193	87542	197	87543	221	87545	191	87559	197
87528	183	87530	211	87540	177	87541	193	87542	199	87543	221	87545	191	87560	191
87528	183	87530	213	87540	179	87541	197	87542	199	87543	223	87545	193	87560	191
87528	191	87530	213	87540	179	87541	197	87542	209	87543	223	87545	193	87560	193
87528	191	87530	219	87540	191	87541	197	87542	209	87543	227	87545	193	87560	193
87528	191	87530	219	87540	191	87541	197	87542	209	87543	227	87545	193	87560	197
87528	191	87530	221	87540	191	87541	197	87542	211	87543	229	87545	197	87560	197
87528	193	87530	221	87540	191	87541	197	87542	211	87543	229	87545	197	87562	111
87528	193	87530	223	87540	191	87541	199	87542	211	87543	233	87545	197	87563	111
87528	193	87530	223	87540	191	87541	199	87542	213	87543	233	87545	197	87564	111
87528	193	87530	233	87540	193	87541	199	87542	213	87543	235	87545	199	87565	111
87528	197	87530	233	87540	193	87541	199	87542	213	87543	235	87545	199	87566	111
87528	197	87530	235	87540	193	87541	209	87542	219	87544	171	87545	209	87567	111
87528	197	87530	235	87540	193	87541	209	87542	219	87544	171	87545	209	87568	111
87528	197	87531	171	87540	193	87541	211	87542	219	87544	173	87545	211	87569	171
87528	199	87531	171	87540	193	87541	211	87542	221	87544	173	87545	211	87569	171
87528	199	87531	171	87540	197	87541	213	87542	221	87544	177	87545	213	87569	173
87528	203	87531	175	87540	197	87541	213	87542	223	87544	177	87545	213	87569	173
87528	203	87531	175	87540	197	87541	219	87542	223	87544	179	87545	219	87569	177
87528	203	87531	177	87540	197	87541	219	87542	223	87544	179	87545	219	87569	177
87528	209	87531	177	87540	197	87541	223	87542	227	87544	191	87545	223	87569	179
87528	209	87531	177	87540	197	87541	223	87542	227	87544	191	87545	223	87569	179
87528	211	87531	179	87540	199	87541	227	87542	229	87544	191	87545	239	87569	183
87528	211	87531	179	87540	199	87541	227	87542	229	87544	191	87545	239	87569	183
87528	213	87531	191	87540	199	87541	229	87542	233	87544	193	87545	239	87569	203
87528	213	87531	191	87540	199	87541	229	87542	233	87544	193	87545	239	87569	203
87528	219	87531	191	87540	209	87541	233	87542	235	87544	193	87545	241	87570	191
87528	219	87531	193	87540	209	87541	233	87542	235	87544	193	87545	241	87570	191
87528	223	87531	193	87540	211	87541	235	87543	171	87544	197	87545	241	87570	191
87528	223	87531	193	87540	211	87541	235	87543	171	87544	197	87545	241	87570	193
87529	171	87531	195	87540	213	87542	171	87543	173	87544	197	87555	171	87570	193
87529	171	87531	195	87540	213	87542	171	87543	173	87544	197	87555	171	87570	193
87529	173	87531	197	87540	219	87542	171	87543	175	87544	199	87555	173	87570	197
87529	173	87531	197	87540	219	87542	173	87543	175	87544	199	87555	173	87570	197
87529	177	87531	197	87540	223	87542	173	87543	177	87544	209	87555	177	87570	197
87529	177	87531	199	87540	223	87542	173	87543	177	87544	209	87555	177	87571	191
87529	179	87531	199	87540	227	87542	175	87543	179	87544	211	87555	179	87571	191
87529	179	87531	209	87540	227	87542	175	87543	179	87544	211	87555	179	87571	193
87529	183	87531	209	87540	229	87542	177	87543	191	87544	213	87555	183	87571	193
87529	183	87531	209	87540	229	87542	177	87543	191	87544	213	87555	183	87571	197
87529	203	87531	211	87540	233	87542	177	87543	191	87544	219	87555	203	87571	197
87529	203	87531	211	87540	233	87542	179	87543	191	87544	219	87555	203	87572	167
87530	171	87531	211	87540	235	87542	179	87543	193	87544	223	87557	171	87573	167
87530	171	87531	213	87540	235	87542	191	87543	193	87544	223	87557	171	87583	227
87530	175	87531	213	87541	171	87542	191	87543	193	87544	239	87557	173	87584	209
87530	175	87531	213	87541	171	87542	191	87543	193	87544	239	87557	173	87589	76
87530	177	87531	219	87541	173	87542	191	87543	195	87544	239	87557	177	87590	76
87530	177	87531	219	87541	173	87542	191	87543	195	87544	239	87557	177	87591	76
87530	179	87531	219	87541	177	87542	191	87543	197	87544	241	87557	179	87592	76
87530	179	87531	221	87541	177	87542	193	87543	197	87544	241	87557	179	87596	209
87530	191	87531	221	87541	179	87542	193	87543	197	87544	241	87557	183	87599	199

Cod.	Pag.	Cod.	Pag.	Cod.	Pag.	Cod.	Pag.	Cod.	Pag.	Cod.	Pag.	Cod.	Pag.	Cod.	Pag.
87601	213	87665	177	87712	191	87775	223	87838	256	87900	262	87962	264	88026	284
87626	223	87665	183	87713	191	87776	223	87839	256	87901	263	87963	264	88027	284
87641	241	87665	203	87714	191	87777	223	87840	256	87902	263	87964	264	88028	284
87654	187	87666	191	87715	191	87778	223	87841	256	87903	263	87965	264	88029	284
87655	187	87666	193	87716	191	87779	223	87842	256	87904	263	87966	264	88030	284
87657	52	87666	197	87717	191	87780	223	87843	256	87905	263	87967	264	88031	284
87658	52	87667	191	87719	191	87781	256	87844	256	87906	263	87968	264	88032	285
87660	171	87667	193	87720	191	87782	256	87845	256	87907	263	87969	264	88033	285
87660	173	87667	197	87721	191	87783	256	87846	256	87908	263	87970	264	88034	285
87660	177	87668	171	87722	191	87784	256	87847	256	87909	263	87971	265	88035	285
87660	191	87669	171	87723	197	87785	256	87848	256	87910	263	87972	265	88036	285
87660	191	87670	171	87724	197	87786	256	87849	256	87911	263	87973	265	88037	285
87660	193	87671	171	87725	197	87787	256	87850	256	87912	263	87974	265	88038	285
87660	193	87672	171	87726	197	87788	256	87851	256	87913	263	87975	265	88039	285
87660	197	87673	171	87727	197	87789	256	87852	256	87914	263	87976	265	88040	286
87660	197	87673	173	87728	197	87790	256	87853	256	87915	263	87977	265	88041	286
87660	209	87674	171	87729	197	87791	256	87854	256	87916	263	87978	265	88042	286
87660	211	87674	173	87730	197	87792	256	87855	256	87917	263	87979	265	88043	286
87660	213	87675	171	87731	197	87793	256	87856	256	87918	263	87980	265	88044	286
87660	219	87675	173	87732	197	87794	256	87857	256	87919	263	87981	265	88045	286
87660	223	87676	171	87733	197	87795	256	87858	256	87920	263	87982	265	88046	286
87661	171	87676	173	87734	197	87796	256	87859	256	87921	263	87983	265	88047	286
87661	177	87677	171	87735	197	87797	256	87860	256	87922	263	87984	265	88048	287
87661	191	87677	173	87736	197	87798	256	87861	256	87923	263	87985	265	88049	287
87661	193	87678	171	87737	197	87799	256	87862	256	87924	263	87986	265	88050	287
87661	197	87678	173	87738	197	87800	256	87863	256	87925	263	87987	265	88051	287
87661	209	87679	171	87739	197	87801	256	87864	290	87926	263	87988	265	88052	287
87661	211	87680	171	87740	197	87802	256	87865	256	87927	263	87989	265	88053	287
87661	213	87681	171	87741	197	87803	256	87866	290	87928	263	87990	265	88054	287
87661	219	87681	173	87742	197	87804	256	87867	256	87929	263	87991	265	88055	287
87661	223	87682	177	87743	197	87805	256	87868	290	87930	263	87992	265	88056	288
87662	171	87683	177	87744	197	87806	256	87869	256	87931	263	87993	265	88057	288
87662	173	87684	177	87745	197	87807	256	87870	262	87932	263	87994	265	88058	288
87662	177	87685	177	87746	197	87808	256	87871	262	87933	263	87995	265	88059	288
87662	183	87686	177	87747	197	87809	256	87872	262	87934	263	87996	265	88060	288
87662	203	87687	177	87748	197	87810	256	87873	262	87935	263	87997	265	88061	288
87663	171	87688	177	87749	189	87811	60	87874	262	87936	264	87998	265	88062	288
87663	173	87689	177	87750	189	87812	60	87875	262	87937	264	87999	265	88063	288
87663	177	87690	177	87751	195	87813	60	87876	262	87938	264	88000	265	88066	256
87663	191	87691	177	87752	28	87815	89	87877	262	87939	264	88001	265	88067	256
87663	191	87692	177	87753	219	87816	89	87878	262	87940	264	88002	265	88068	256
87663	193	87693	177	87754	219	87817	89	87879	262	87941	264	88003	265	88069	256
87663	193	87694	177	87755	219	87818	89	87880	262	87942	264	88004	265	88070	256
87663	197	87695	177	87756	219	87819	89	87881	262	87943	264	88005	265	88071	256
87663	197	87696	177	87757	219	87820	89	87882	262	87944	264	88008	282	88090	179
87663	209	87697	177	87758	54	87821	89	87883	262	87945	264	88009	282	88091	179
87663	211	87698	177	87759	54	87822	89	87884	262	87946	264	88010	282	88101	171
87663	213	87699	177	87760	54	87823	89	87885	262	87947	264	88011	282	88121	171
87663	219	87700	177	87761	54	87824	89	87886	262	87948	264	88012	282	88124	138
87663	223	87701	191	87762	219	87825	89	87887	262	87949	264	88013	282	88127	139
87664	171	87702	191	87763	219	87826	89	87888	262	87950	264	88014	282	88128	139
87664	177	87702	193	87764	219	87827	125	87889	262	87951	264	88015	282	88129	138
87664	191	87703	191	87765	219	87828	125	87890	262	87952	264	88016	283	88130	138
87664	193	87704	191	87766	219	87829	125	87891	262	87953	264	88017	283	88131	138
87664	197	87705	191	87767	219	87830	125	87892	262	87954	264	88018	283	88136	233
87664	209	87706	191	87768	219	87831	256	87893	262	87955	264	88019	283	88141	282
87664	211	87707	191	87769	223	87832	256	87894	262	87956	264	88020	283	88142	282
87664	213	87708	191	87770	223	87833	256	87895	262	87957	264	88021	283	88143	282
87664	219	87709	191	87771	223	87834	256	87896	262	87958	264	88022	283	88144	282
87664	223	87709	193	87772	223	87835	256	87897	262	87959	264	88023	283	88145	282
87665	171	87710	191	87773	223	87836	256	87898	262	87960	264	88024	284	88146	282
87665	173	87711	191	87774	223	87837	256	87899	262	87961	264	88025	284	88147	282

Cod.	Pag.	Cod.	Pag.	Cod.	Pag.	Cod.	Pag.	Cod.	Pag.	Cod.	Pag.	Cod.	Pag.	Cod.	Pag.
88148	282	88210	284	88272	287	88372	191	88375	193	88393	219	88493	191	88554	203
88149	282	88211	284	88273	287	88372	193	88375	195	88399	217	88494	191	88555	209
88150	282	88212	284	88274	287	88372	193	88375	197	88400	217	88495	191	88556	209
88151	282	88213	284	88275	287	88372	193	88375	209	88401	221	88496	191	88557	209
88152	282	88214	284	88276	287	88372	197	88375	211	88428	215	88497	191	88558	209
88153	282	88215	284	88277	287	88372	197	88375	213	88437	191	88498	191	88559	209
88154	282	88216	285	88278	287	88372	197	88375	219	88440	171	88499	191	88560	209
88155	282	88217	285	88279	287	88372	209	88375	221	88441	171	88500	191	88561	209
88156	282	88218	285	88280	287	88372	211	88375	223	88442	171	88501	191	88562	209
88157	282	88219	285	88281	287	88372	213	88375	233	88443	171	88502	191	88563	209
88158	282	88220	285	88282	287	88372	219	88375	235	88444	171	88503	191	88564	213
88159	282	88221	285	88283	287	88372	223	88376	171	88445	171	88504	191	88565	213
88160	282	88222	285	88284	287	88372	227	88376	175	88446	171	88505	191	88566	213
88161	282	88223	285	88285	288	88372	229	88376	177	88447	171	88506	191	88567	213
88162	282	88224	285	88286	288	88372	233	88376	191	88448	171	88507	191	88568	213
88163	282	88225	285	88287	288	88372	235	88376	193	88449	171	88508	191	88569	213
88164	282	88226	285	88288	288	88373	171	88376	195	88450	171	88509	191	88570	213
88165	282	88227	285	88289	288	88373	173	88376	197	88451	171	88510	191	88571	213
88166	283	88228	285	88290	288	88373	175	88376	209	88452	171	88510	193	88572	213
88167	283	88229	285	88291	288	88373	177	88376	211	88453	171	88511	191	88573	213
88168	283	88230	285	88292	288	88373	191	88376	213	88454	171	88512	191	88574	219
88169	283	88231	285	88293	288	88373	191	88376	219	88455	171	88513	191	88575	219
88170	283	88232	285	88294	288	88373	193	88376	221	88456	171	88514	191	88576	219
88171	283	88233	285	88295	288	88373	193	88376	223	88457	171	88515	191	88577	219
88172	283	88234	285	88296	288	88373	195	88376	233	88458	171	88516	191	88578	219
88173	283	88235	286	88297	288	88373	197	88376	235	88459	171	88517	191	88579	219
88174	283	88236	286	88298	288	88373	197	88377	171	88459	173	88518	191	88580	219
88175	283	88237	286	88299	288	88373	209	88377	173	88460	171	88519	197	88581	219
88176	283	88238	286	88300	288	88373	211	88377	177	88461	171	88520	197	88582	219
88177	283	88239	286	88301	288	88373	213	88377	191	88461	173	88521	197	88583	219
88178	283	88240	286	88302	288	88373	219	88377	191	88462	171	88522	197	88584	219
88179	283	88241	286	88319	191	88373	221	88377	193	88463	171	88523	197	88585	219
88180	283	88242	286	88332	209	88373	223	88377	193	88463	173	88524	197	88586	219
88181	283	88243	286	88335	213	88373	227	88377	197	88464	177	88525	197	88587	219
88182	283	88244	286	88348	209	88373	229	88377	197	88465	177	88526	197	88588	219
88183	283	88245	286	88352	187	88373	233	88377	209	88466	177	88527	197	88590	215
88184	283	88246	286	88371	171	88373	235	88377	211	88467	177	88528	197	88592	223
88185	283	88247	286	88371	173	88374	171	88377	213	88468	177	88529	197	88593	223
88186	283	88248	286	88371	177	88374	173	88377	219	88469	177	88530	197	88594	223
88187	283	88249	286	88371	191	88374	175	88377	223	88470	177	88531	197	88595	223
88188	283	88250	286	88371	191	88374	177	88377	239	88471	177	88532	197	88596	223
88189	283	88251	286	88371	191	88374	191	88377	239	88472	177	88533	197	88597	223
88190	283	88252	286	88371	193	88374	191	88377	241	88473	177	88534	197	88598	223
88191	284	88253	286	88371	193	88374	193	88377	241	88474	177	88535	197	88599	223
88192	284	88254	286	88371	193	88374	193	88378	171	88475	177	88536	197	88600	223
88193	284	88255	286	88371	197	88374	195	88378	173	88476	177	88537	197	88601	223
88194	284	88256	286	88371	197	88374	197	88378	177	88477	177	88538	197	88602	223
88195	284	88257	286	88371	197	88374	197	88378	191	88478	177	88539	197	88603	223
88196	284	88258	286	88371	209	88374	209	88378	191	88479	177	88540	197	88604	223
88197	284	88259	286	88371	211	88374	211	88378	193	88480	177	88541	197	88605	223
88198	284	88260	287	88371	213	88374	213	88378	193	88481	177	88542	197	88606	223
88199	284	88261	287	88371	219	88374	219	88378	197	88482	177	88543	197	88607	227
88200	284	88262	287	88371	223	88374	221	88378	197	88483	177	88544	197	88608	227
88201	284	88263	287	88371	227	88374	223	88378	209	88484	177	88545	197	88609	227
88202	284	88264	287	88371	229	88374	227	88378	211	88485	177	88546	197	88610	227
88203	284	88265	287	88371	233	88374	229	88378	213	88486	183	88547	197	88611	229
88204	284	88266	287	88371	235	88374	233	88378	219	88487	183	88548	197	88612	229
88205	284	88267	287	88372	171	88374	235	88378	223	88488	191	88549	197	88613	229
88206	284	88268	287	88372	173	88375	171	88378	239	88489	191	88550	197	88614	229
88207	284	88269	287	88372	177	88375	175	88378	239	88490	191	88551	195	88615	233
88208	284	88270	287	88372	191	88375	177	88378	241	88491	191	88552	203	88616	233
88209	284	88271	287	88372	191	88375	191	88378	241	88492	191	88553	203	88617	233

Cod.	Pag.	Cod.	Pag.	Cod.	Pag.	Cod.	Pag.	Cod.	Pag.	Cod.	Pag.	Cod.	Pag.	Cod.	Pag.
88618	233	88712	241	88845	256	89161	211	89234	179	89301	263	89366	167	89425	171
88619	233	88713	241	88846	256	89162	211	89235	179	89302	265	89367	167	89426	171
88620	233	88720	191	88847	256	89163	211	89236	179	89303	264	89368	167	89427	171
88621	235	88726	225	88848	257	89164	211	89237	179	89304	268	89369	167	89428	171
88622	235	88744	56	88849	257	89165	211	89238	179	89305	264	89370	167	89429	171
88623	235	88745	177	88850	258	89166	211	89239	179	89306	269	89371	167	89430	171
88624	235	88760	274	88851	258	89167	173	89240	179	89307	265	89372	167	89431	171
88625	235	88762	274	88852	259	89168	173	89241	179	89308	270	89373	167	89432	171
88626	235	88763	274	88853	259	89170	173	89242	179	89309	265	89374	167	89433	171
88632	171	88764	274	88854	260	89171	173	89243	179	89310	271	89375	167	89434	171
88633	189	88765	274	88855	260	89172	173	89244	179	89311	268	89376	167	89435	171
88634	189	88766	274	88856	276	89173	173	89245	199	89312	272	89377	167	89436	171
88635	189	88767	274	88857	277	89174	173	89247	199	89313	269	89378	167	89437	171
88636	189	88768	171	88858	279	89175	173	89249	199	89315	270	89379	167	89438	171
88637	195	88769	274	88859	280	89176	173	89250	199	89316	273	89380	167	89439	171
88638	195	88770	274	88860	281	89177	173	89251	199	89317	271	89381	167	89440	171
88639	217	88771	274	88861	171	89178	173	89252	199	89318	274	89382	167	89440	173
88640	217	88772	274	88873	187	89179	173	89253	199	89319	272	89383	167	89441	171
88641	221	88773	274	88880	219	89180	193	89254	199	89320	274	89384	167	89442	171
88642	217	88774	274	88887	295	89181	193	89255	199	89321	272	89385	167	89442	173
88643	217	88775	274	88953	142	89182	193	89256	199	89322	282	89386	167	89443	171
88644	221	88776	274	89037	142	89183	193	89257	199	89323	273	89387	167	89444	171
88645	217	88777	274	89049	142	89184	193	89258	199	89324	282	89388	167	89444	173
88646	217	88778	274	89074	131	89185	193	89259	227	89325	273	89389	167	89445	171
88647	221	88779	274	89099	203	89186	193	89260	227	89326	282	89390	167	89446	171
88649	195	88780	274	89101	58	89187	193	89261	227	89327	274	89391	167	89447	171
88650	221	88781	274	89102	58	89188	193	89262	227	89328	283	89392	167	89448	171
88651	221	88782	274	89103	58	89189	193	89263	227	89329	283	89393	167	89449	171
88661	187	88783	274	89105	82	89190	193	89264	229	89330	283	89394	167	89450	171
88668	207	88784	274	89107	82	89191	193	89265	229	89331	284	89395	167	89451	171
88673	219	88785	274	89109	82	89192	193	89266	229	89332	284	89396	167	89452	171
88678	131	88786	274	89110	82	89193	193	89267	229	89333	284	89397	169	89453	171
88679	29	88787	274	89111	82	89194	193	89268	229	89334	285	89398	169	89454	171
88680	83	88788	274	89112	82	89195	193	89269	229	89335	285	89399	169	89455	171
88681	83	88789	274	89113	82	89196	193	89270	233	89336	285	89400	169	89456	171
88682	83	88790	274	89114	82	89197	193	89271	233	89337	286	89401	169	89457	171
88683	83	88791	274	89117	171	89198	193	89272	233	89338	286	89402	169	89458	171
88684	169	88792	274	89129	81	89199	193	89273	233	89339	286	89403	169	89458	173
88685	169	88793	274	89131	81	89200	193	89274	233	89340	287	89404	169	89459	171
88686	169	88808	177	89133	81	89201	193	89275	233	89341	287	89405	171	89460	171
88687	169	88817	201	89134	81	89202	193	89276	233	89342	287	89406	171	89460	173
88688	169	88818	201	89135	81	89203	193	89277	233	89345	167	89407	171	89461	171
88689	169	88819	17	89136	81	89204	193	89278	233	89346	167	89408	171	89462	171
88690	169	88821	67	89137	81	89205	193	89279	235	89347	167	89409	171	89462	173
88691	169	88822	67	89138	81	89206	193	89280	235	89348	167	89410	171	89463	171
88692	175	88823	67	89141	209	89207	193	89281	235	89349	167	89411	171	89464	171
88693	175	88824	67	89142	211	89208	193	89282	235	89350	167	89412	171	89465	171
88694	175	88825	17	89143	211	89209	193	89283	235	89351	167	89413	171	89466	171
88695	175	88826	17	89144	211	89214	239	89284	235	89352	167	89414	171	89467	171
88696	175	88827	17	89145	211	89220	227	89285	235	89353	167	89415	171	89468	171
88697	175	88828	17	89146	211	89222	173	89286	235	89354	167	89416	171	89469	171
88698	31	88829	17	89147	59	89223	193	89287	235	89355	167	89417	171	89470	171
88699	131	88830	17	89148	59	89224	193	89288	262	89356	167	89417	173	89471	171
88700	31	88831	17	89149	59	89225	193	89290	262	89357	167	89418	171	89471	173
88703	162	88832	17	89150	59	89226	193	89292	263	89358	167	89419	171	89472	173
88704	35	88833	17	89151	59	89227	211	89294	263	89359	167	89419	173	89473	173
88706	239	88834	17	89152	59	89228	211	89295	262	89360	167	89420	171	89474	187
88707	239	88840	254	89153	59	89229	179	89296	264	89361	167	89421	171	89475	173
88708	239	88841	254	89157	211	89230	179	89297	262	89362	167	89421	173	89476	187
88709	239	88842	255	89158	211	89231	179	89298	264	89363	167	89422	171	89477	173
88710	241	88843	255	89159	211	89232	179	89299	263	89364	167	89423	171	89478	187
88711	241	88844	256	89160	211	89233	179	89300	265	89365	167	89424	171	89479	173

Cod.	Pag.	Cod.	Pag.	Cod.	Pag.	Cod.	Pag.	Cod.	Pag.	Cod.	Pag.	Cod.	Pag.	Cod.	Pag.
89480	173	89544	177	89606	179	89668	187	89729	191	89789	191	89851	197	89913	197
89481	187	89545	177	89607	179	89669	187	89730	191	89790	191	89852	197	89914	197
89482	173	89546	177	89608	179	89670	187	89731	191	89791	191	89853	197	89915	197
89483	187	89547	177	89609	179	89671	187	89732	191	89792	191	89854	197	89916	197
89484	173	89548	177	89610	179	89672	187	89733	191	89793	191	89855	197	89917	197
89485	187	89549	177	89611	179	89673	187	89734	191	89794	191	89856	197	89918	197
89486	173	89550	177	89612	179	89674	187	89735	191	89795	191	89857	197	89919	197
89487	173	89551	177	89613	179	89675	187	89736	191	89796	191	89858	197	89920	197
89488	187	89552	177	89614	179	89676	187	89737	191	89797	191	89859	197	89921	197
89489	173	89553	177	89615	179	89677	187	89738	191	89798	191	89860	197	89922	197
89490	187	89554	177	89616	179	89678	187	89739	191	89799	191	89861	197	89923	197
89491	173	89555	177	89617	179	89679	187	89740	191	89800	191	89862	197	89924	197
89492	187	89556	177	89618	181	89680	187	89741	191	89801	191	89863	197	89925	197
89493	173	89557	177	89619	181	89681	187	89742	191	89802	191	89864	197	89926	197
89494	187	89558	177	89620	181	89682	187	89743	191	89803	191	89865	197	89927	197
89495	175	89559	177	89621	181	89683	187	89744	191	89804	191	89866	197	89928	197
89496	175	89560	177	89622	181	89684	187	89745	191	89805	191	89867	197	89929	197
89497	175	89561	177	89623	181	89685	187	89746	191	89806	193	89868	197	89930	197
89498	175	89562	177	89624	183	89686	187	89747	191	89807	193	89869	197	89931	197
89499	175	89563	177	89625	183	89687	187	89748	191	89808	193	89870	197	89932	197
89500	175	89564	177	89626	183	89688	187	89749	191	89809	193	89871	197	89933	197
89503	177	89565	177	89627	183	89689	187	89750	191	89810	193	89872	197	89934	197
89504	177	89566	177	89628	187	89690	187	89751	191	89811	193	89873	197	89935	197
89505	177	89567	177	89629	187	89691	187	89752	191	89812	193	89874	197	89936	197
89506	177	89568	177	89630	187	89692	187	89753	191	89813	193	89875	197	89937	197
89507	177	89569	177	89631	187	89693	187	89754	191	89814	193	89876	197	89938	197
89508	177	89570	177	89632	187	89694	187	89755	191	89815	193	89877	197	89939	197
89509	177	89571	177	89633	187	89695	187	89756	191	89816	193	89878	197	89940	197
89510	177	89572	177	89634	187	89696	187	89757	191	89817	193	89879	197	89941	197
89511	177	89573	179	89635	187	89697	187	89758	191	89818	193	89880	197	89942	197
89512	177	89574	179	89636	187	89698	187	89758	193	89819	193	89881	197	89943	197
89513	177	89575	179	89637	187	89699	189	89759	191	89820	193	89882	197	89944	197
89514	177	89576	179	89638	187	89700	189	89760	191	89821	193	89883	197	89945	197
89515	177	89577	179	89639	187	89701	189	89761	191	89822	193	89884	197	89946	197
89516	177	89578	179	89640	187	89702	189	89762	191	89823	193	89885	197	89947	199
89517	177	89579	179	89641	187	89703	189	89763	191	89824	193	89886	197	89948	199
89518	177	89580	179	89642	187	89704	189	89764	191	89825	193	89887	197	89949	199
89519	177	89581	179	89643	187	89705	189	89765	191	89826	193	89888	197	89950	199
89520	177	89582	179	89644	187	89706	189	89766	191	89827	193	89889	197	89951	199
89521	177	89583	179	89645	187	89707	191	89767	191	89828	193	89890	197	89952	199
89522	177	89584	179	89646	187	89708	191	89768	191	89829	193	89891	197	89953	199
89523	177	89585	179	89647	187	89709	191	89769	191	89830	193	89892	197	89954	199
89524	177	89586	179	89648	187	89710	191	89770	191	89831	193	89893	197	89955	199
89525	177	89587	179	89649	187	89711	191	89771	191	89832	193	89894	197	89956	199
89526	177	89588	179	89650	187	89712	191	89772	191	89833	193	89895	197	89957	199
89527	177	89589	179	89651	187	89713	191	89773	191	89834	193	89896	197	89958	199
89528	177	89590	179	89652	187	89714	191	89774	191	89835	193	89897	197	89959	199
89529	177	89591	179	89653	187	89715	191	89775	191	89836	193	89898	197	89960	199
89530	177	89592	179	89654	187	89716	191	89776	191	89837	193	89899	197	89961	199
89531	177	89593	179	89655	187	89717	191	89777	191	89838	193	89900	197	89962	199
89532	177	89594	179	89656	187	89718	191	89778	191	89839	193	89901	197	89963	199
89533	177	89595	179	89657	187	89719	191	89779	191	89840	195	89902	197	89964	199
89534	177	89596	179	89658	187	89720	191	89780	191	89841	195	89903	197	89965	199
89535	177	89597	179	89659	187	89721	191	89781	191	89842	195	89904	197	89966	199
89536	177	89598	179	89660	187	89722	191	89782	191	89843	195	89905	197	89967	199
89537	177	89599	179	89661	187	89723	191	89783	191	89844	195	89906	197	89968	199
89538	177	89600	179	89662	187	89724	191	89784	191	89845	195	89907	197	89969	199
89539	177	89601	179	89663	187	89725	191	89785	191	89846	197	89908	197	89970	199
89540	177	89602	179	89664	187	89725	193	89785	193	89847	197	89909	197	89971	199
89541	177	89603	179	89665	187	89726	191	89786	191	89848	197	89910	197	89972	199
89542	177	89604	179	89666	187	89727	191	89787	191	89849	197	89911	197	89973	199
89543	177	89605	179	89667	187	89728	191	89788	191	89850	197	89912	197	89974	199

Cod.	Pag.	Cod.	Pag.	Cod.	Pag.	Cod.	Pag.	Cod.	Pag.	Cod.	Pag.	Cod.	Pag.	Cod.	Pag.
89975	199	90037	209	90099	215	90161	219	90223	223	90285	229	90347	235	90415	112
89976	199	90038	209	90100	215	90162	219	90224	223	90286	229	90348	235	90419	113
89977	199	90039	209	90101	215	90163	219	90225	223	90287	229	90349	235		
89978	199	90040	209	90102	215	90164	219	90226	223	90288	229	90350	235		
89979	199	90041	209	90103	215	90165	219	90227	223	90289	229	90351	235		
89980	199	90042	209	90104	215	90166	219	90228	223	90290	231	90352	235		
89981	201	90043	209	90105	215	90167	219	90229	223	90291	231	90353	235		
89982	201	90044	211	90106	215	90168	219	90230	223	90292	231	90354	235		
89983	201	90045	211	90107	215	90169	219	90231	223	90293	231	90355	235		
89984	201	90046	211	90108	215	90170	219	90232	223	90294	231	90356	235		
89985	201	90047	211	90109	215	90171	219	90233	223	90295	231	90357	235		
89986	203	90048	211	90110	215	90172	219	90234	223	90296	231	90358	235		
89987	203	90049	211	90111	215	90173	219	90235	223	90297	231	90359	235		
89988	203	90050	211	90112	215	90174	219	90236	223	90298	231	90360	235		
89989	203	90051	211	90113	215	90175	219	90237	223	90299	231	90361	235		
89990	203	90052	211	90114	215	90176	219	90238	223	90300	231	90362	235		
89991	203	90053	211	90115	215	90177	219	90239	223	90301	231	90363	235		
89992	207	90054	211	90116	215	90178	219	90240	223	90302	231	90364	235		
89993	207	90055	211	90117	215	90179	219	90241	223	90303	231	90365	235		
89994	207	90056	211	90118	215	90180	219	90242	223	90304	231	90366	235		
89995	207	90057	211	90119	215	90181	219	90243	225	90305	231	90367	237		
89996	207	90058	211	90120	215	90182	219	90244	225	90306	231	90368	237		
89997	207	90059	211	90121	215	90183	219	90245	225	90307	231	90369	237		
89998	207	90060	211	90122	215	90184	219	90246	225	90308	231	90370	237		
89999	207	90061	213	90123	215	90185	219	90247	225	90309	231	90371	237		
90000	207	90062	213	90124	215	90186	219	90248	225	90310	231	90372	237		
90001	207	90063	213	90125	215	90187	221	90249	225	90311	231	90373	237		
90002	207	90064	213	90126	215	90188	221	90250	225	90312	231	90374	237		
90003	207	90065	213	90127	215	90189	221	90251	225	90313	231	90375	237		
90004	207	90066	213	90128	215	90190	221	90252	225	90314	233	90376	237		
90005	207	90067	213	90129	215	90191	221	90253	225	90315	233	90377	237		
90006	207	90068	213	90130	215	90192	221	90254	225	90316	233	90378	237		
90007	207	90069	213	90131	215	90193	223	90255	225	90317	233	90379	237		
90008	207	90070	213	90132	215	90194	223	90256	227	90318	233	90380	237		
90009	207	90071	213	90133	215	90195	223	90257	227	90319	233	90381	237		
90010	207	90072	213	90134	215	90196	223	90258	227	90320	233	90382	237		
90011	207	90073	213	90135	215	90197	223	90259	227	90321	233	90383	239		
90012	207	90074	213	90136	215	90198	223	90260	227	90322	233	90384	239		
90013	207	90075	213	90137	217	90199	223	90261	227	90323	233	90385	239		
90014	207	90076	213	90138	217	90200	223	90262	227	90324	233	90386	239		
90015	207	90077	213	90139	217	90201	223	90263	227	90325	233	90387	239		
90016	207	90078	213	90140	217	90202	223	90264	227	90326	233	90388	239		
90017	207	90079	213	90141	217	90203	223	90265	227	90327	233	90389	239		
90018	207	90080	213	90142	217	90204	223	90266	227	90328	233	90390	239		
90019	207	90081	213	90143	217	90205	223	90267	227	90329	233	90391	239		
90020	207	90082	213	90144	217	90206	223	90268	227	90330	233	90392	239		
90021	207	90083	213	90145	219	90207	223	90269	227	90331	233	90393	239		
90022	207	90084	213	90146	219	90208	223	90270	227	90332	233	90394	241		
90023	209	90085	213	90147	219	90209	223	90271	227	90333	233	90395	241		
90024	209	90086	213	90148	219	90210	223	90272	229	90334	233	90396	241		
90025	209	90087	213	90149	219	90211	223	90273	229	90335	233	90397	241		
90026	209	90088	213	90150	219	90212	223	90274	229	90336	233	90398	241		
90027	209	90089	213	90151	219	90213	223	90275	229	90337	233	90399	241		
90028	209	90090	213	90152	219	90214	223	90276	229	90338	233	90400	241		
90029	209	90091	213	90153	219	90215	223	90277	229	90339	233	90401	241		
90030	209	90092	213	90154	219	90216	223	90278	229	90340	235	90402	241		
90031	209	90093	215	90155	219	90217	223	90279	229	90341	235	90403	241		
90032	209	90094	215	90156	219	90218	223	90280	229	90342	235	90404	241		
90033	209	90095	215	90157	219	90219	223	90281	229	90343	235	90406	127		
90034	209	90096	215	90158	219	90220	223	90282	229	90344	235	90408	127		
90035	209	90097	215	90159	219	90221	223	90283	229	90345	235	90409	127		
90036	209	90098	215	90160	219	90222	223	90284	229	90346	235	90410	127		

CONSTRUKTOR

www.construktor.com

OFICJALNY
PARTNER
FIRMY:

teCom
Technology Components

TECOM S.r.l.

Via A.M. Ampère, 43 - 42017 Novellara (RE) - Italy

Tel.: (+39) 0522-651203 Tel.: (+39) 0522-651369

Web: <https://www.tecomsrl.it> e-mail: info@tecomsrl.it